



US00D594089S

(12) **United States Design Patent**
Kline et al.

(10) **Patent No.:** **US D594,089 S**
(45) **Date of Patent:** **** Jun. 9, 2009**

(54) **SHOWERHEAD**

(75) Inventors: **Kevin B. Kline**, Wauwatosa, WI (US);
Kevin M. Kohlwey, Port Washington,
WI (US)

(73) Assignee: **Bradley Fixtures Corporation**,
Menomonee Falls, WI (US)

(**) Term: **14 Years**

(21) Appl. No.: **29/324,786**

(22) Filed: **Sep. 19, 2008**

Related U.S. Application Data

(63) Continuation of application No. 12/146,025, filed on
Jun. 25, 2008.

(51) **LOC (9) Cl.** **23-01**

(52) **U.S. Cl.** **D23/213**

(58) **Field of Classification Search** D23/213,
D23/229–230; 239/451, 456, 502, 460
See application file for complete search history.

(56) **References Cited**

U.S. PATENT DOCUMENTS

2,305,210	A	12/1942	Wahlin	
2,658,799	A *	11/1953	Fraser	239/460
2,751,252	A	6/1956	Wahlin et al.	
2,948,477	A *	8/1960	Fraser	239/109
2,949,242	A *	8/1960	Blumberg et al.	239/460
D189,117	S *	10/1960	Kohler	D23/229
3,072,346	A	1/1963	Wahlin et al.	
3,146,674	A	9/1964	Wahlin	
6,923,386	B2 *	8/2005	Bonzer	239/458

OTHER PUBLICATIONS

Whirl, WL Low Flow/Full Cone, www.BETE.com, available at least
by Jun. 25, 2008, 3 pages.

Bradley Corporation, Drench Shower w/ Horizontal Supply (Barrier-Free), date Oct. 11, 2006, 2 pages.

Bradley Corporation, “Drench Shower Horizontal Supply Model S10-120BF (plastic showerhead) Model S19-120ABF (stainless steel showerhead),” 5 pages.

Bradley Corporation, “Frost-Proof Drench Shower Model S19-110HFP,” dated Oct. 11, 2006, 1 page.

Bradley Corporation, “Installation Guide for S19-110HFP Drench Shower,” dated Dec. 19, 2007, 6 pages.

* cited by examiner

Primary Examiner—Robin V Webster

(74) *Attorney, Agent, or Firm*—Foley & Lardner LLP

(57) **CLAIM**

The ornamental design for a showerhead, as shown and described.

DESCRIPTION

FIG. 1 is a top perspective view of a showerhead showing our new design;

FIG. 2 is a bottom perspective view thereof;

FIG. 3 is a right side view thereof, the left side view is a mirror image of FIG. 3;

FIG. 4 is a front view thereof, the rear view is a mirror image of FIG. 4;

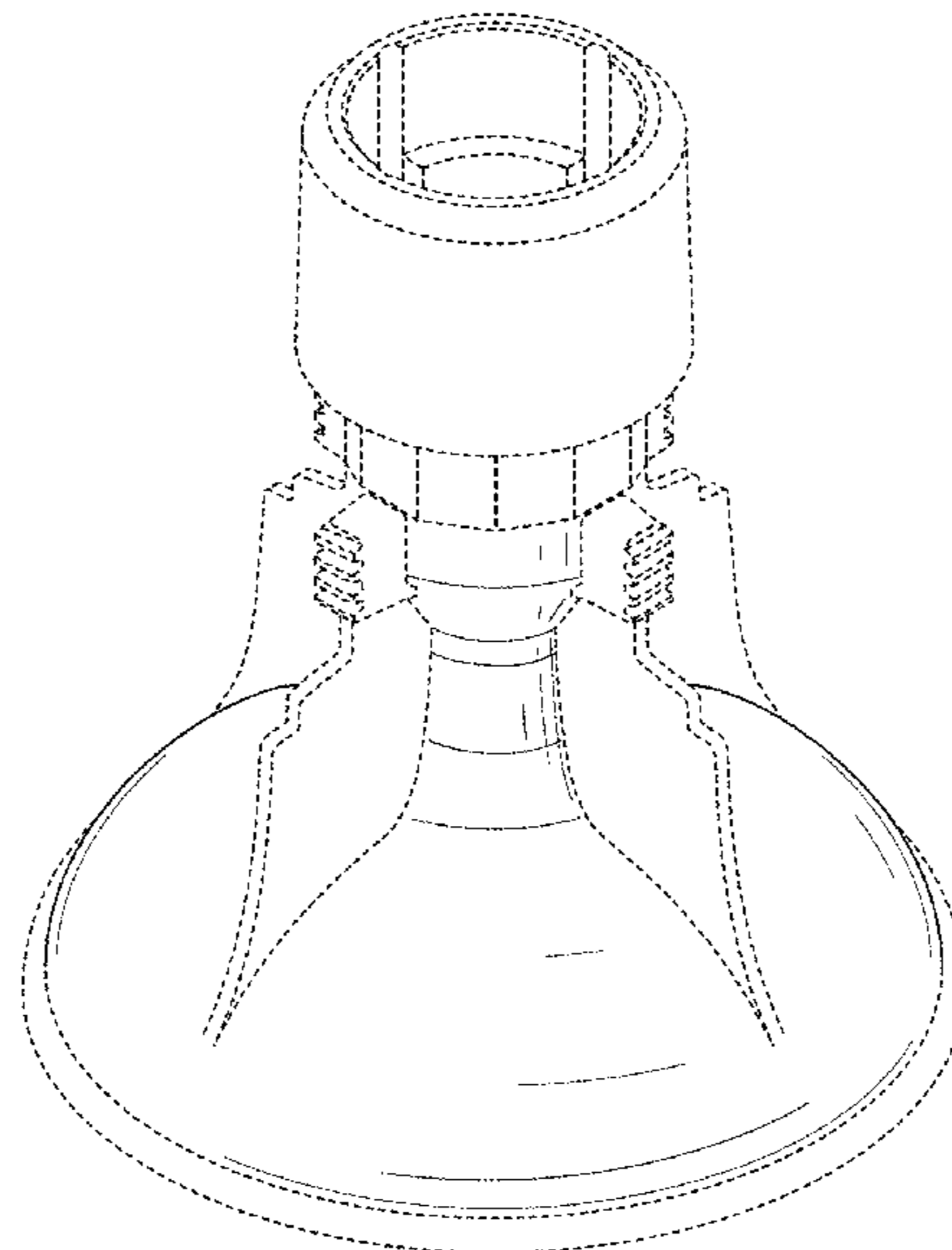
FIG. 5 is a top view thereof;

FIG. 6 is a bottom view thereof; and,

FIG. 7 is a section view thereof taken along the line 7—7 in FIG. 5.

The ornamental design which is claimed is shown in solid lines in the drawings. The broken lines in the drawings are for illustrative purposes only and form no part of the claimed design.

1 Claim, 7 Drawing Sheets



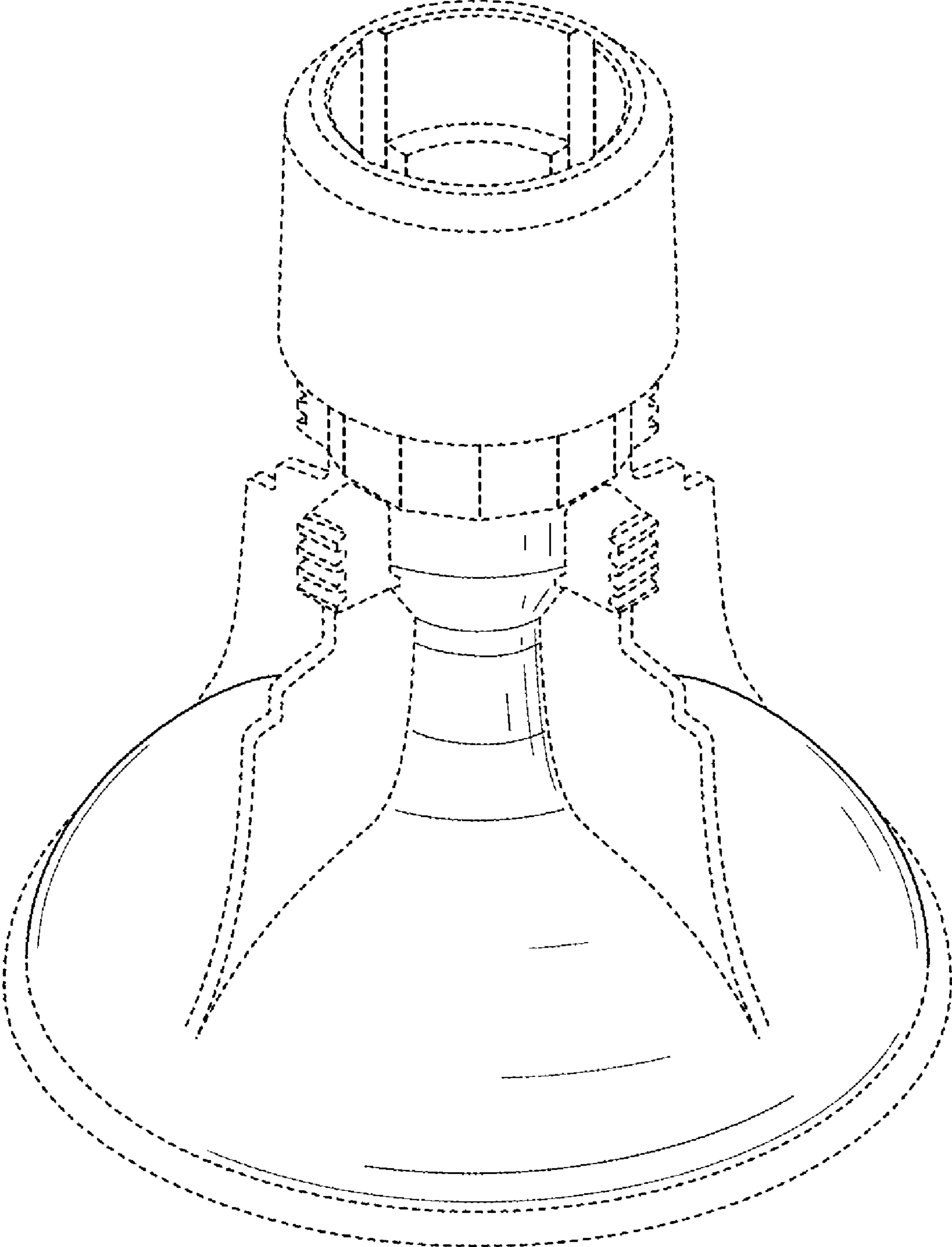


FIG. 1

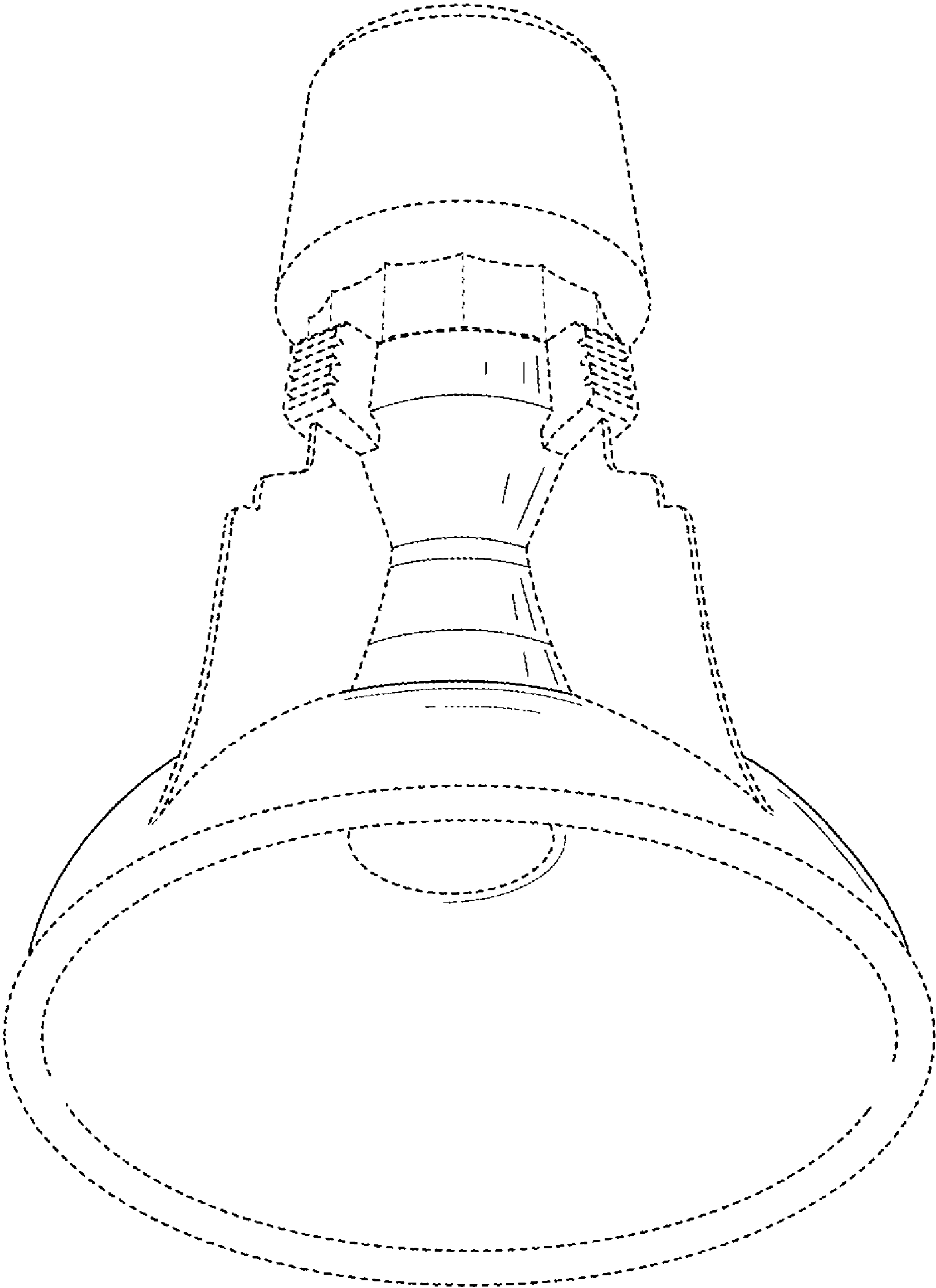


FIG. 2

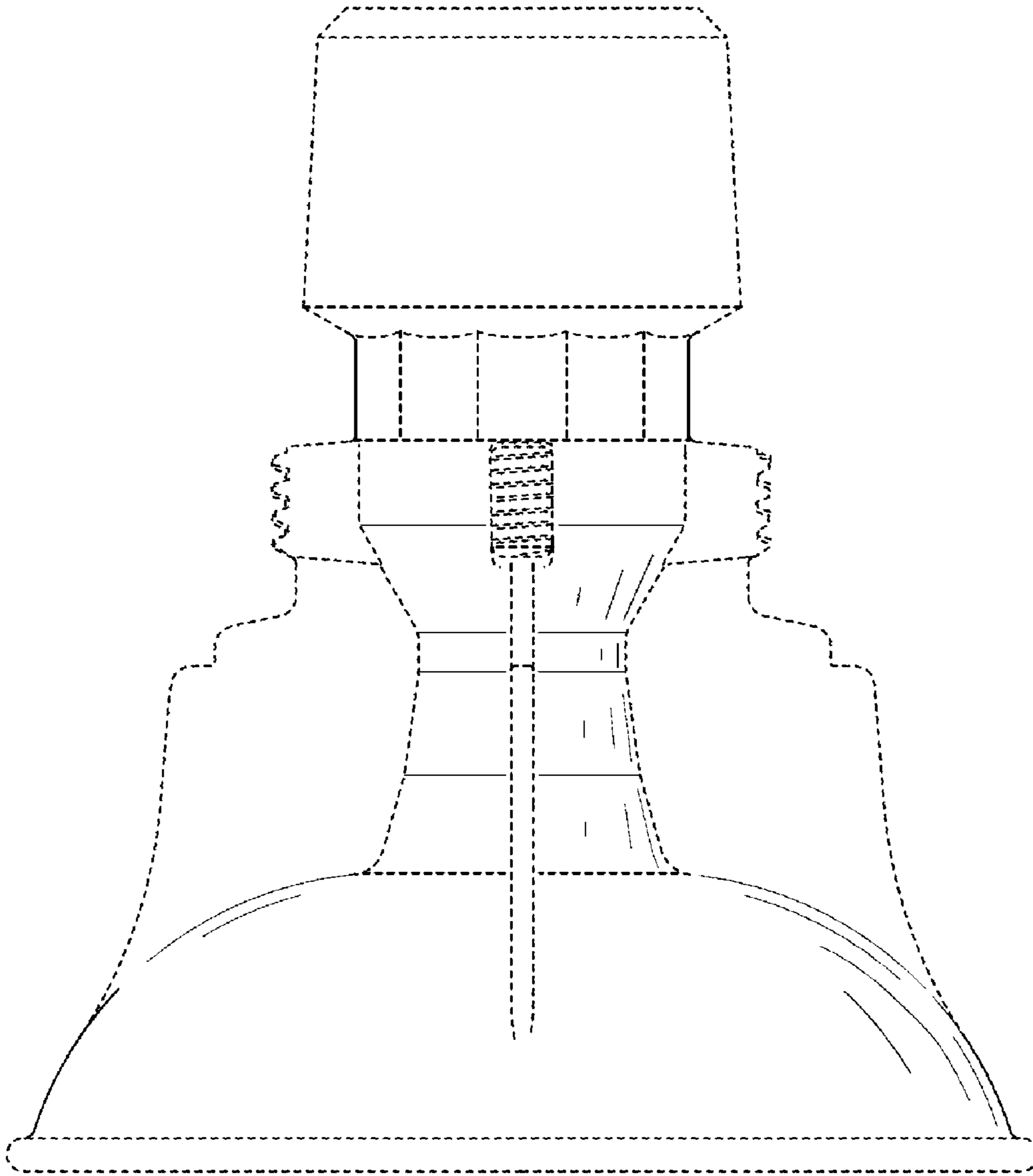


FIG. 3

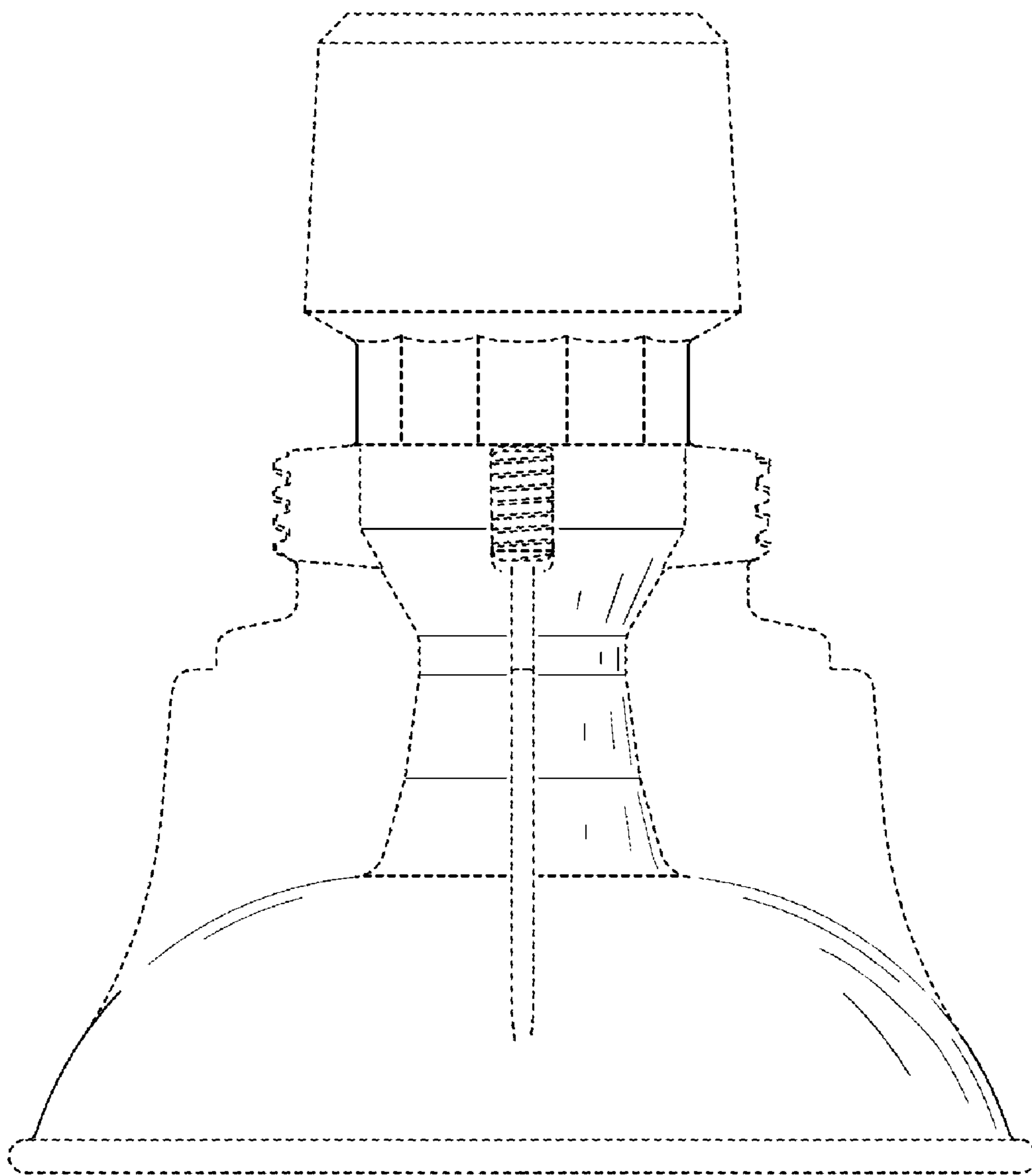


FIG. 4

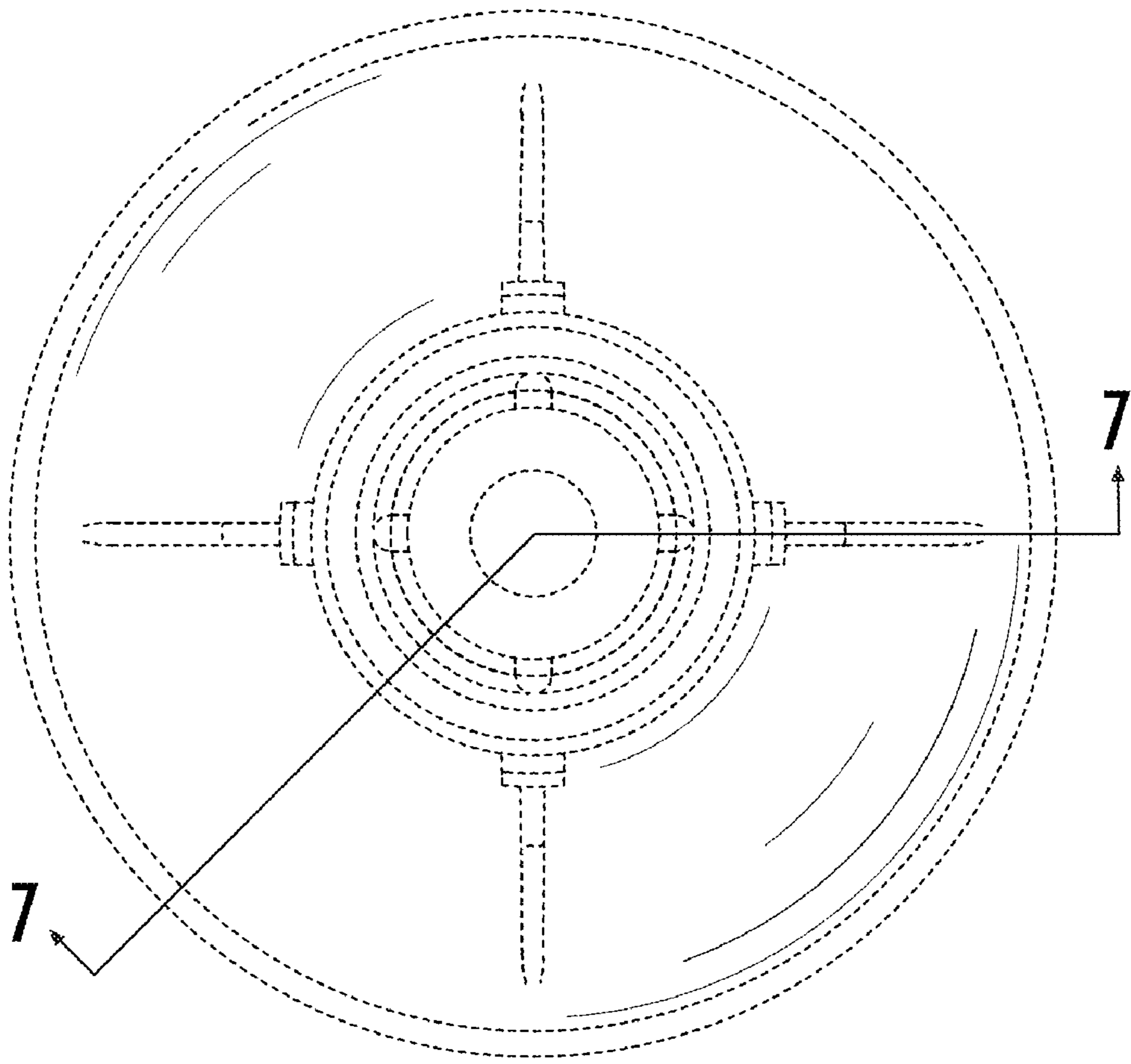


FIG. 5

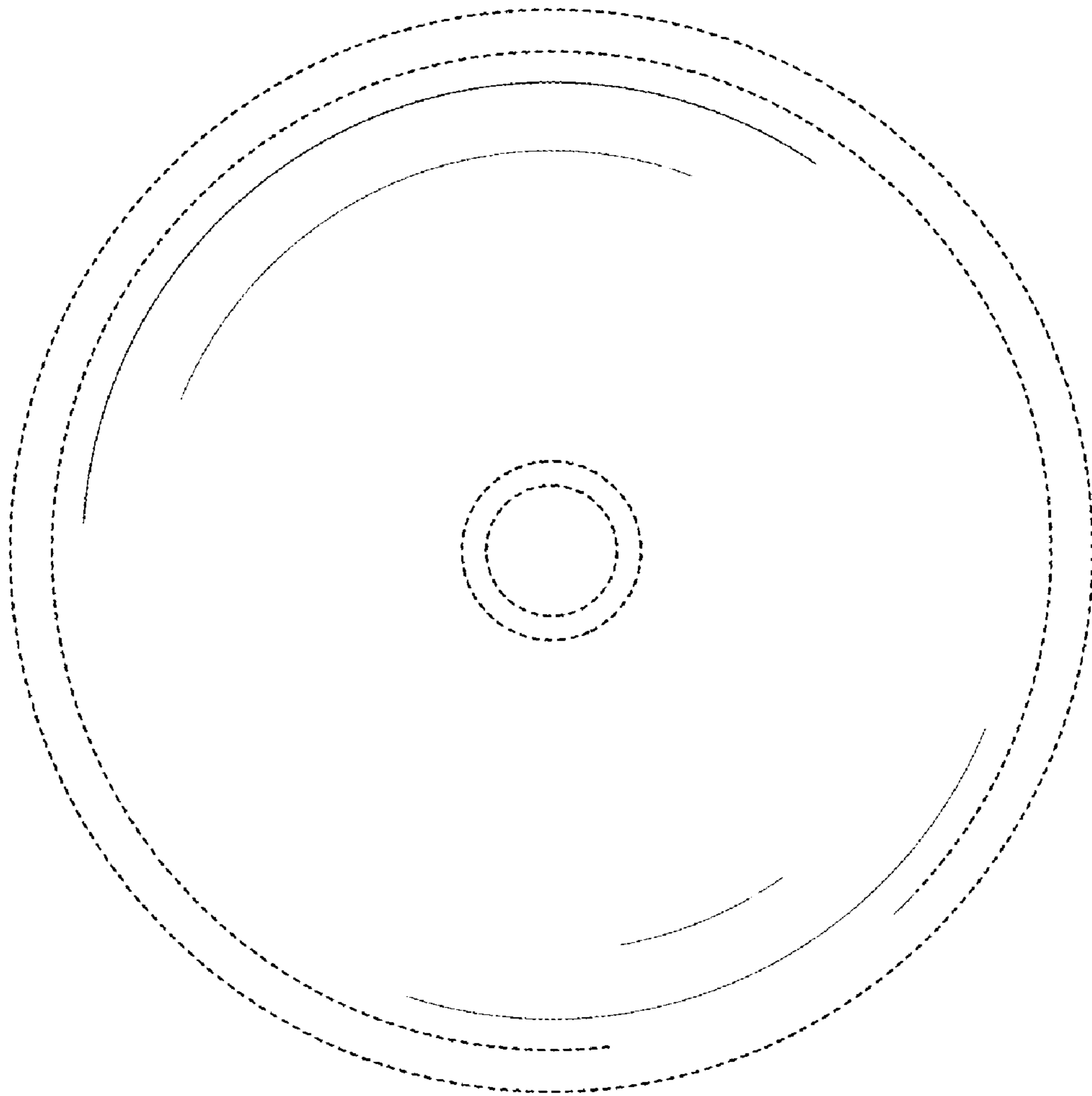


FIG. 6

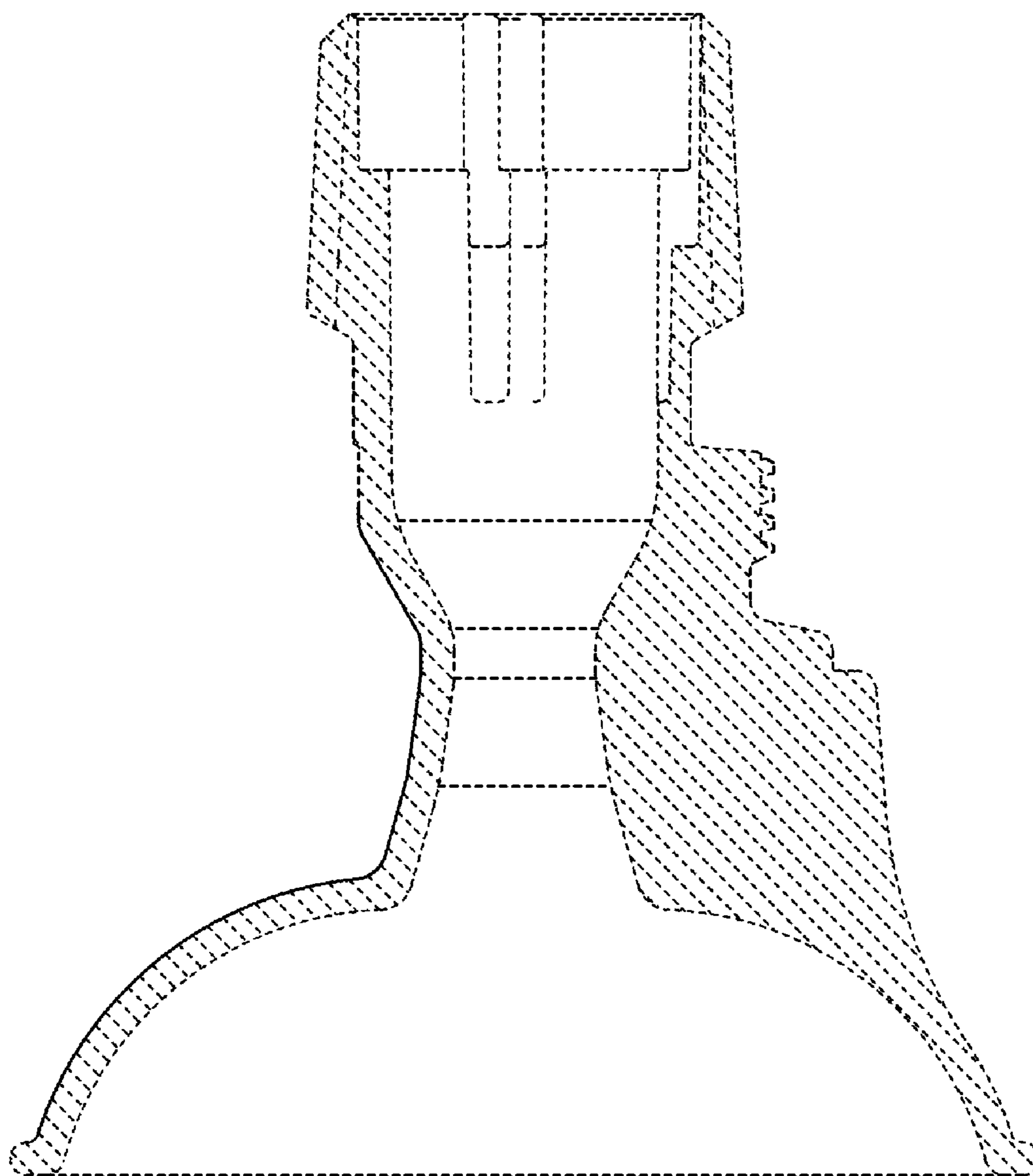


FIG. 7