

US00D594088S

(12) **United States Design Patent**
Pritchard

(10) **Patent No.:** **US D594,088 S**

(45) **Date of Patent:** **** Jun. 9, 2009**

(54) **WATER PURIFYING DEVICE**

(76) **Inventor:** **Michael Pritchard**, The Old Bakery 7
Tuddenham Avenue, Ipswich, Suffolk
(GB) IP4 2HE

(**) **Term:** **14 Years**

(21) **Appl. No.:** **29/324,735**

(22) **Filed:** **Sep. 18, 2008**

(30) **Foreign Application Priority Data**

Mar. 20, 2008 (EM) 000907266-0002

(51) **LOC (9) Cl.** **23-01**

(52) **U.S. Cl.** **D23/207; D7/510; D7/511**

(58) **Field of Classification Search** **D23/207,**
D23/209; D7/510, 511; D9/551; 210/232,
210/282

See application file for complete search history.

(56) **References Cited**

U.S. PATENT DOCUMENTS

5,545,315 A * 8/1996 Lonneman 210/120

D391,448 S * 3/1998 Winer et al. D7/510

5,914,045 A * 6/1999 Palmer et al. 210/694

6,004,460 A * 12/1999 Palmer et al. 210/232

6,565,743 B1 * 5/2003 Poirier et al. 210/85

D565,353 S * 4/2008 Roth et al. D7/510

* cited by examiner

Primary Examiner—Robin V Webster

(74) *Attorney, Agent, or Firm*—Kenyon & Kenyon LLP

(57) **CLAIM**

The ornamental design for a water purifying device, as shown and described.

DESCRIPTION

FIG. 1 is a perspective view of a water purifying device showing the new design;

FIG. 2 is a front view thereof;

FIG. 3 is a back view thereof;

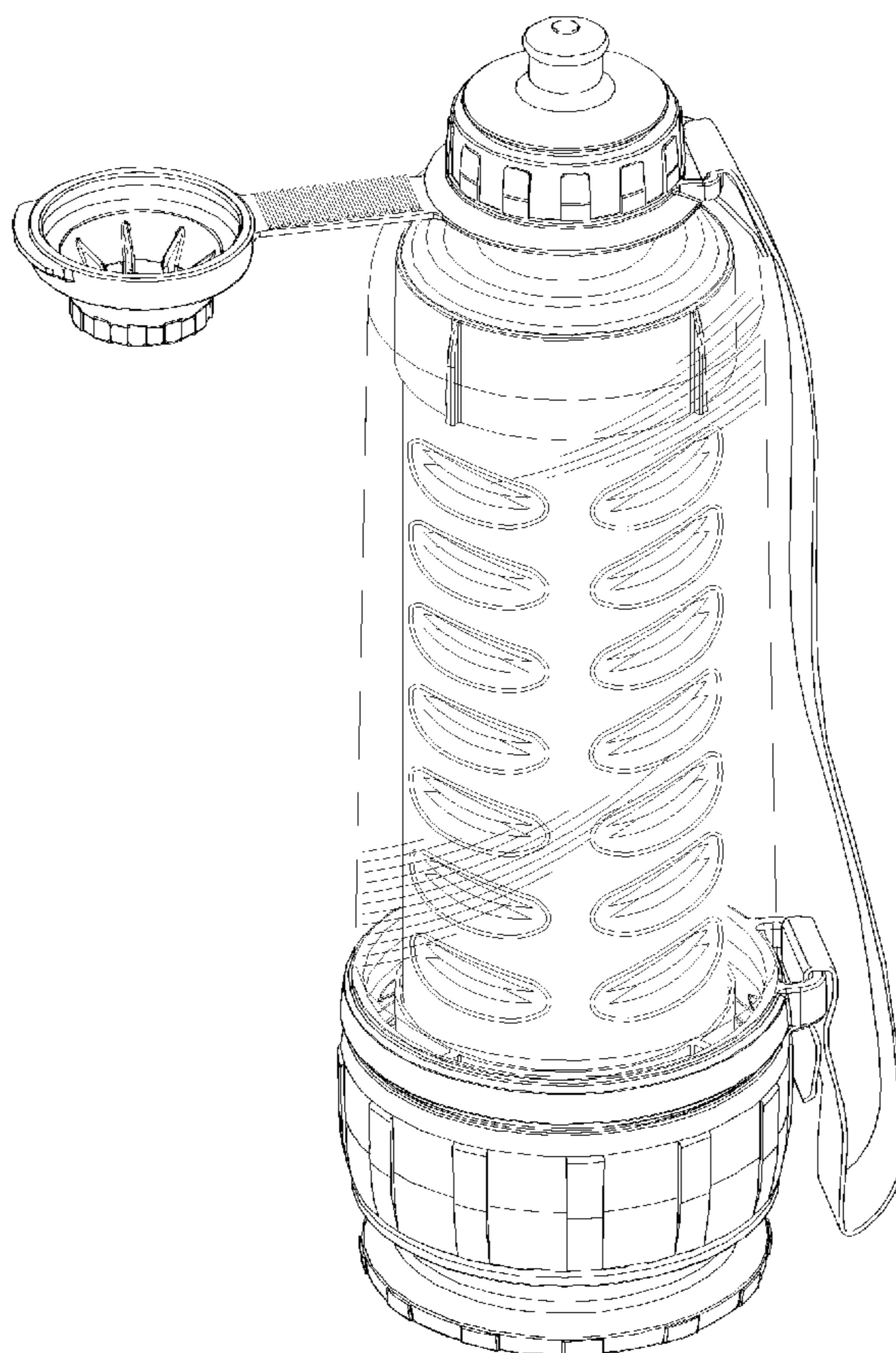
FIG. 4 is a side view thereof;

FIG. 5 is a second side view thereof;

FIG. 6 is a top view thereof; and,

FIG. 7 is a bottom view thereof.

1 Claim, 5 Drawing Sheets



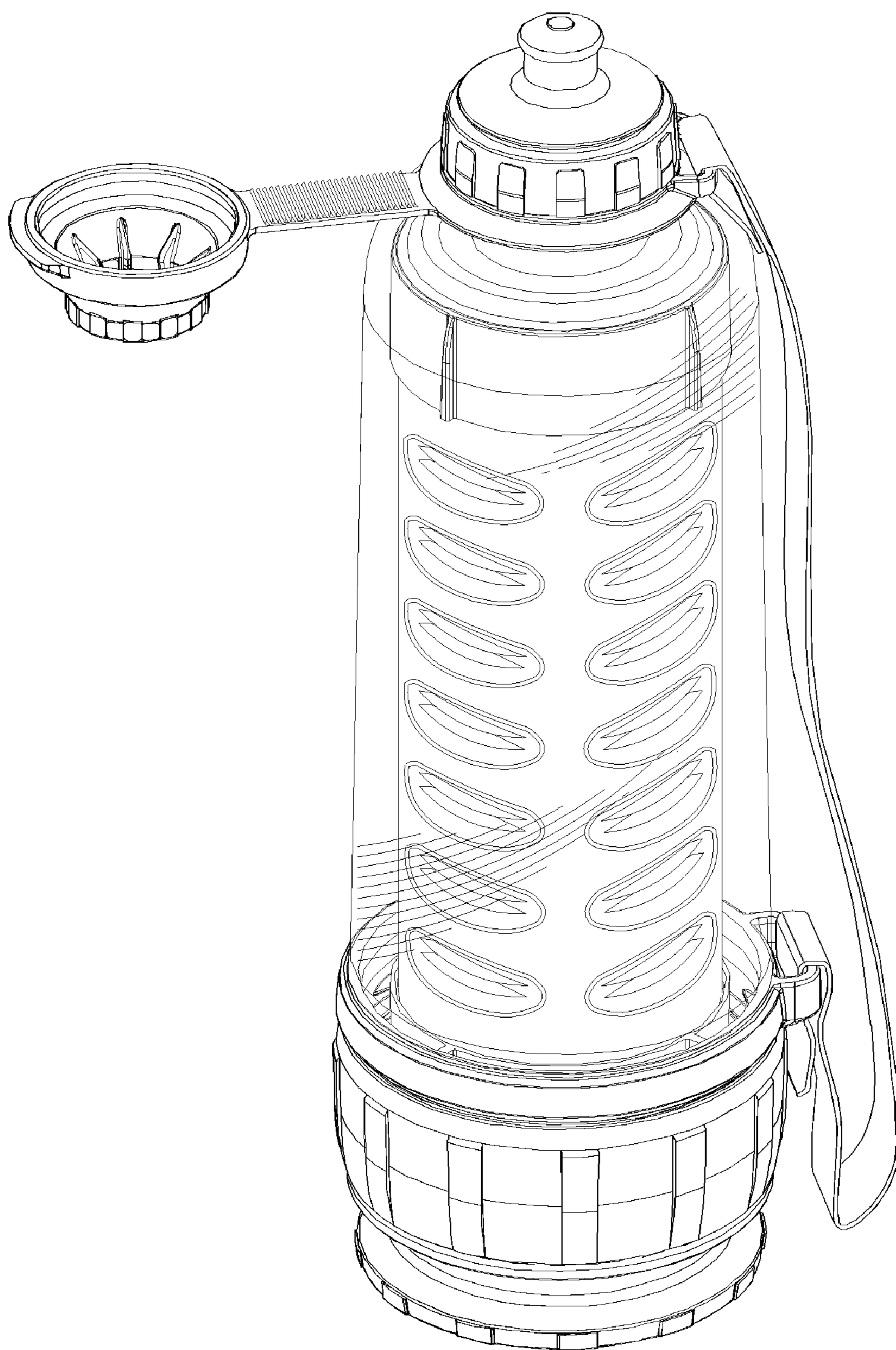


FIG. 1

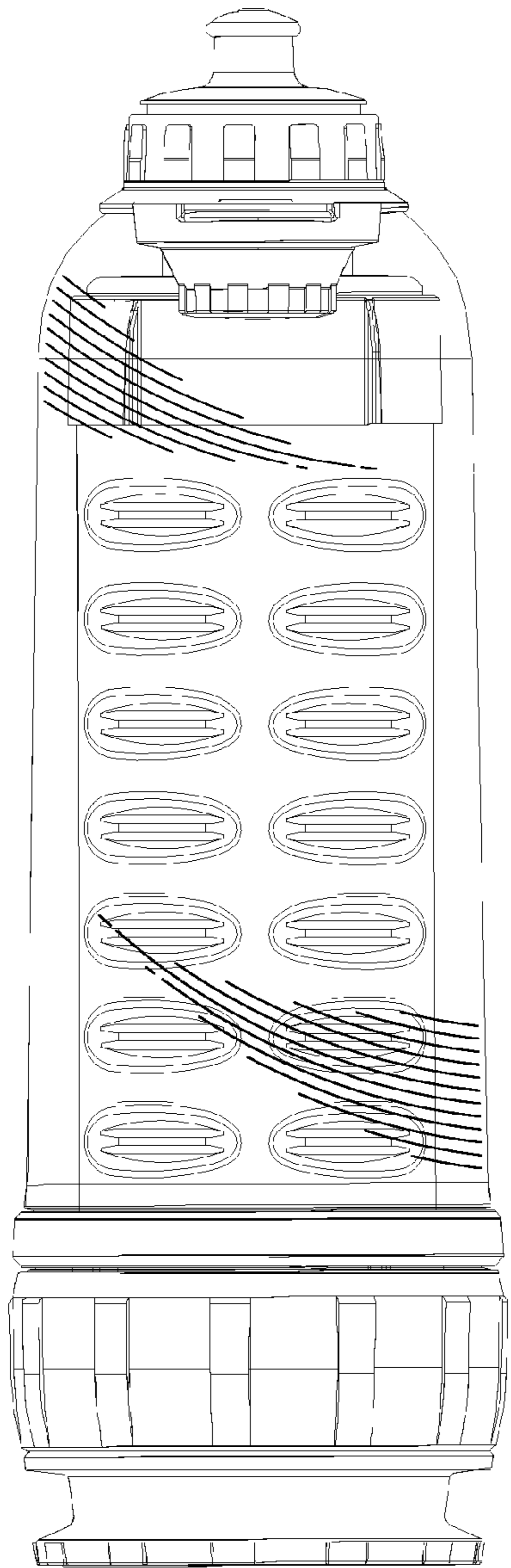


FIG. 2

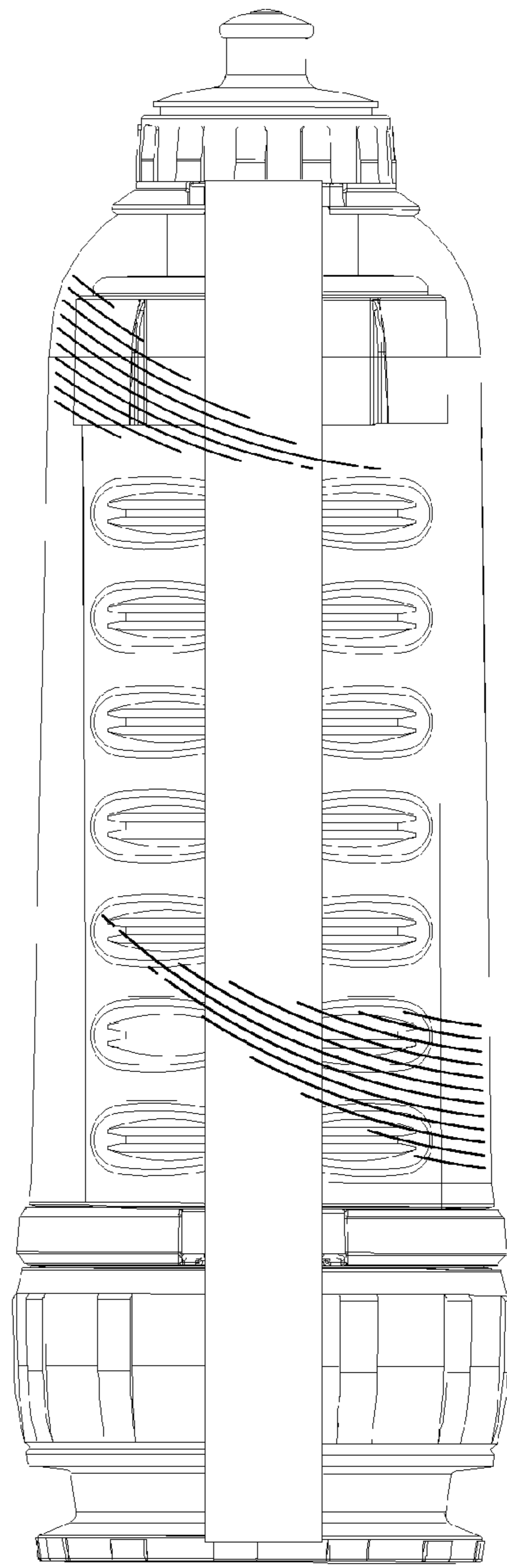


FIG. 3

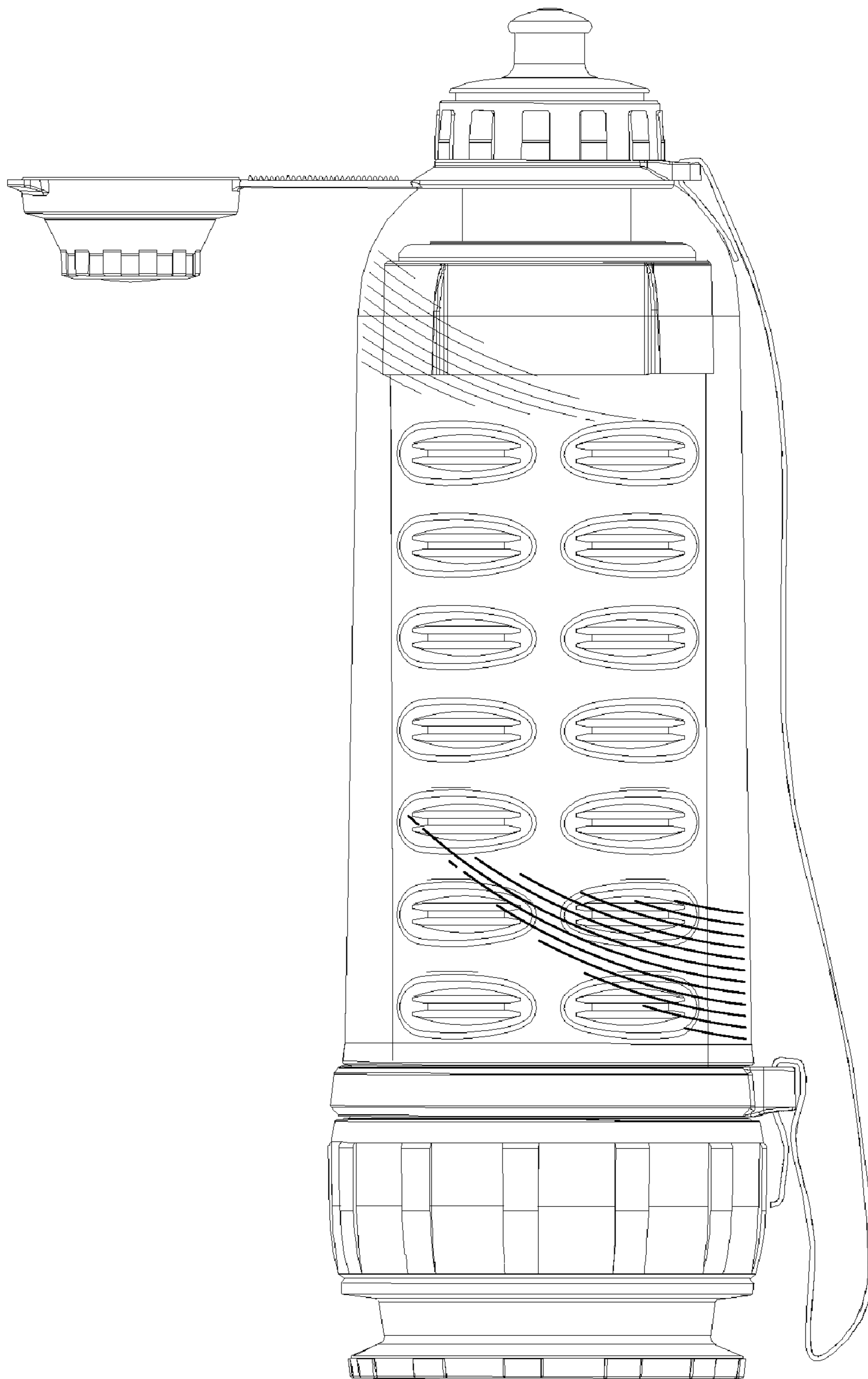


FIG. 4

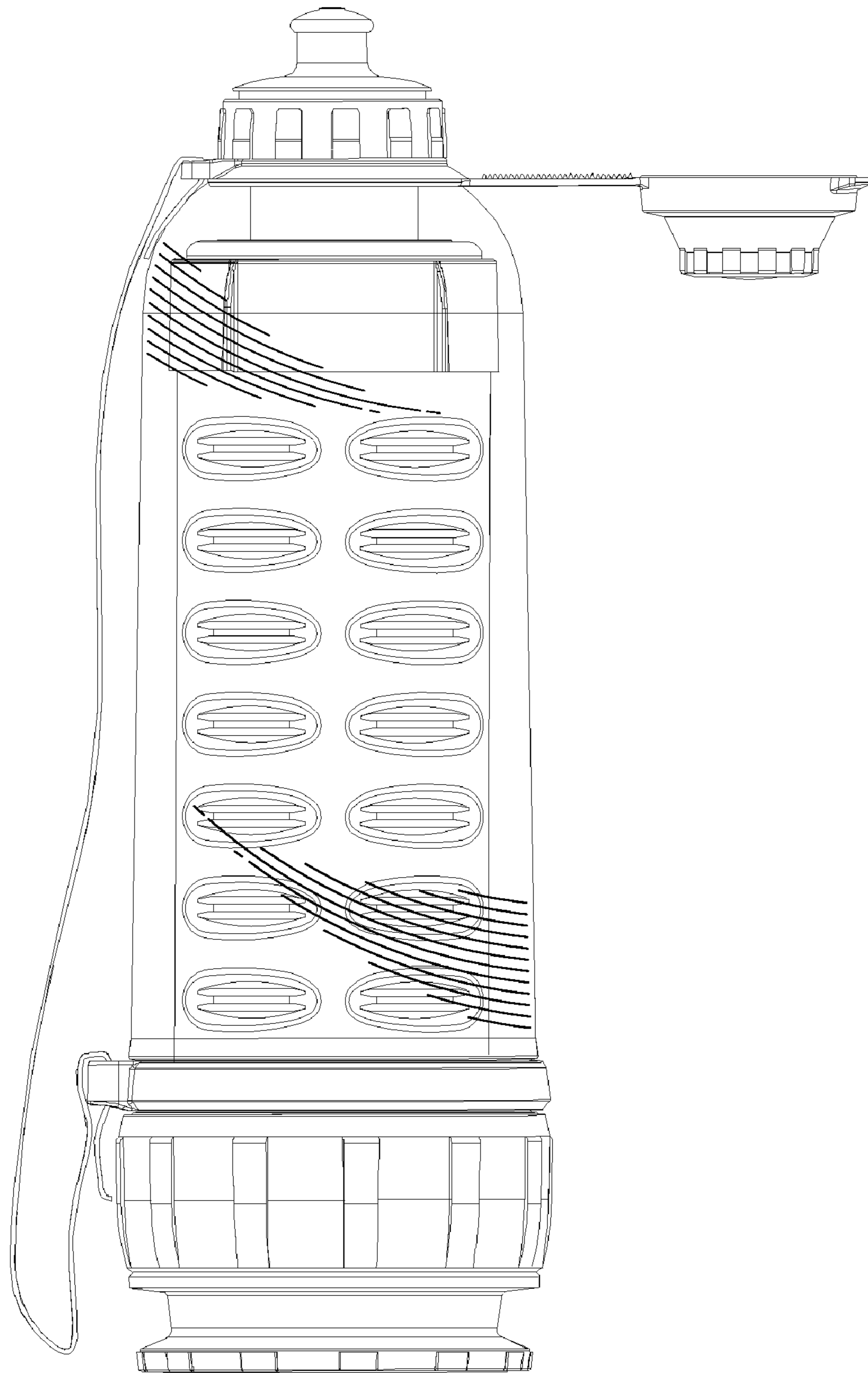


FIG. 5

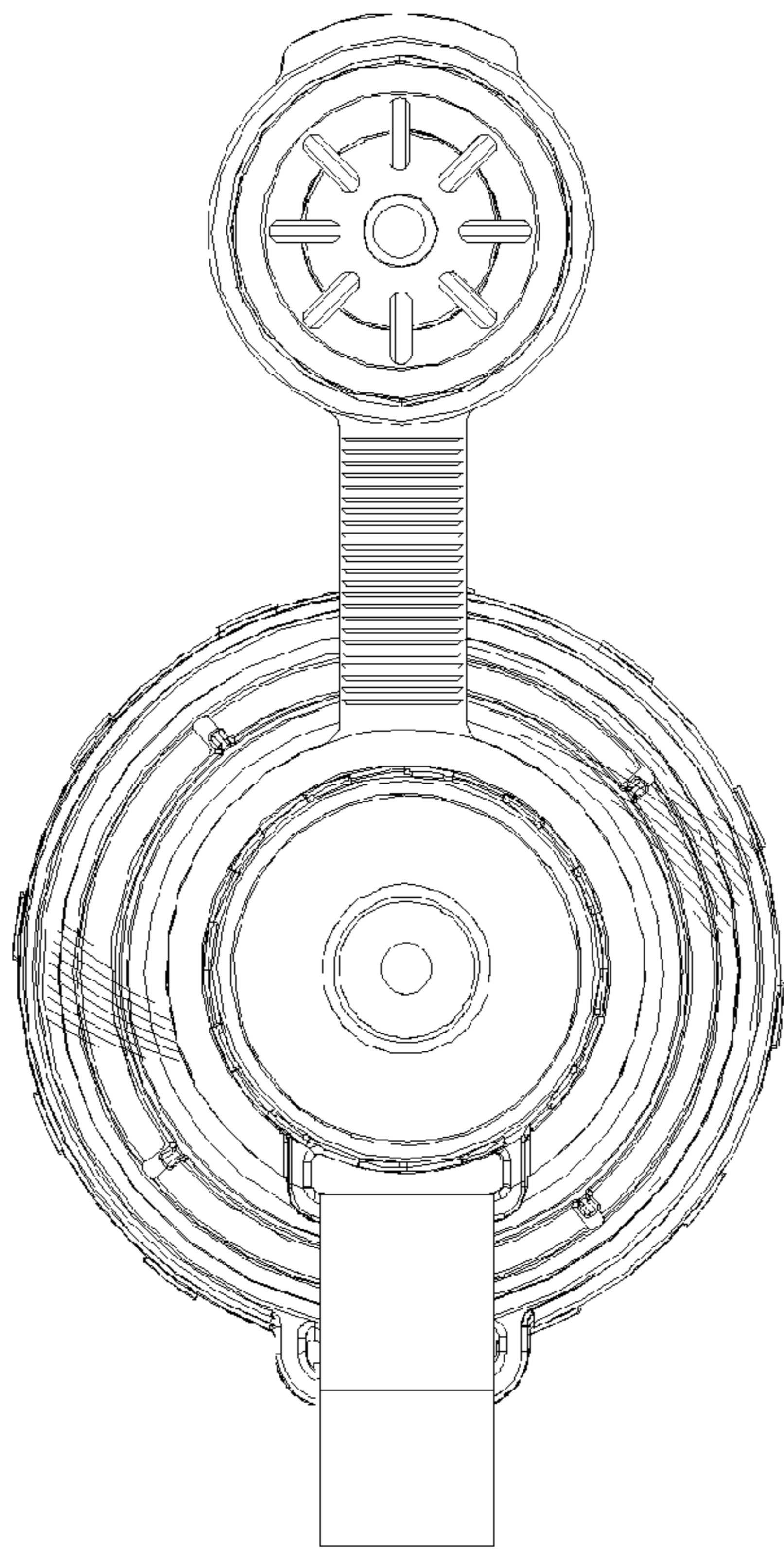


FIG. 6

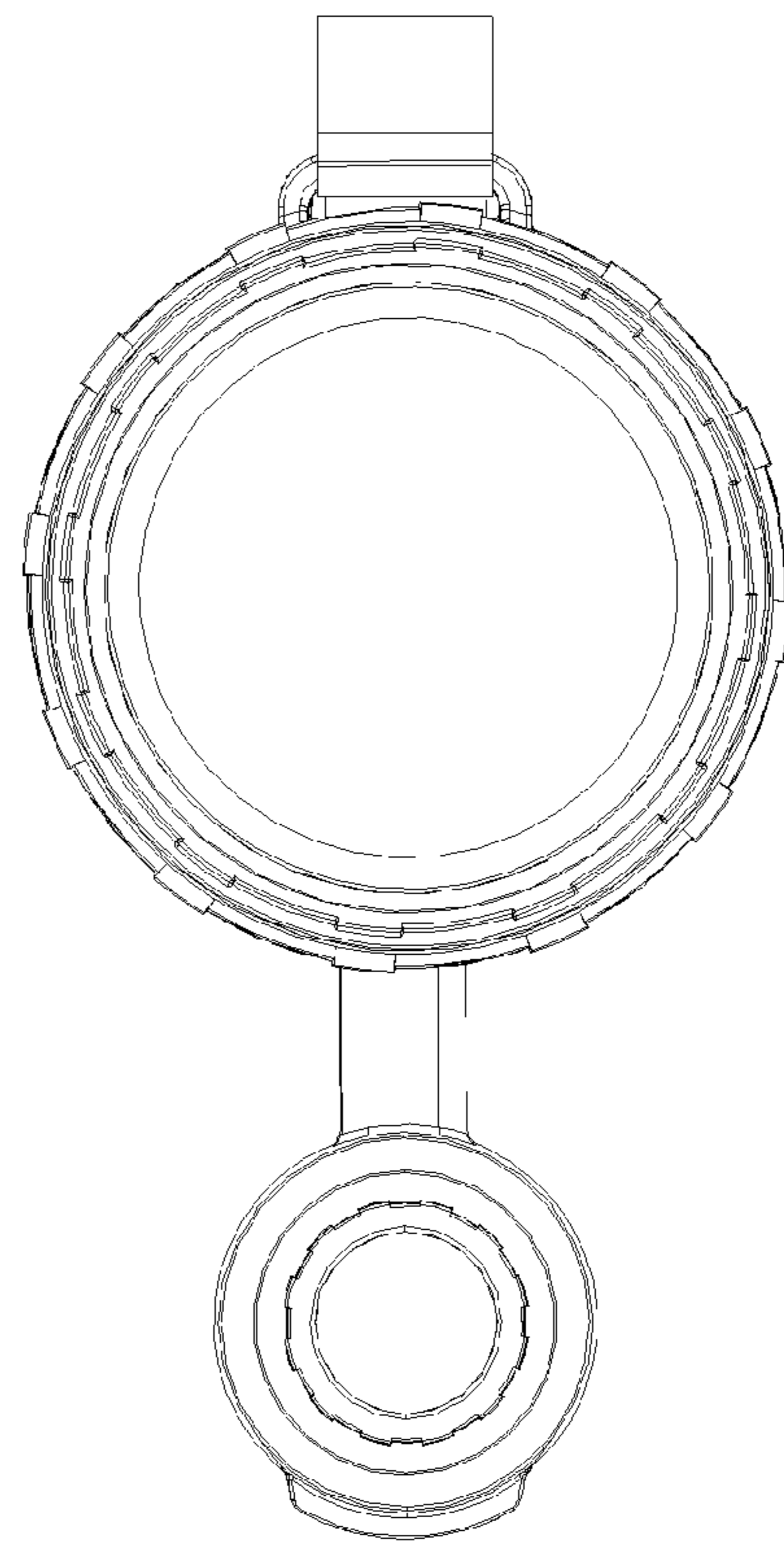


FIG. 7