

US00D594085S

(12) **United States Design Patent**  
**Moody et al.**

(10) **Patent No.:** **US D594,085 S**  
(45) **Date of Patent:** **\*\* Jun. 9, 2009**

(54) **SINGLE ACCESSORY RAIL MOUNT FOR VERTICAL FOREGRIPS**

FOREIGN PATENT DOCUMENTS

(75) Inventors: **Joseph R. Moody**, Jacksonville, FL (US); **Joseph D. Gaddini**, Ashville, NC (US)

FR 2623595 5/1989

(73) Assignee: **Grip Pod Systems, LLC**, Jacksonville, FL (US)

OTHER PUBLICATIONS

Denis H.R. Archer, M.A., *Jane's Infantry Weapons*, (1976) pp. 1-3.

(\*\*) Term: **14 Years**

(Continued)

(21) Appl. No.: **29/305,863**

*Primary Examiner*—T. Chase Nelson

*Assistant Examiner*—Michael A Pratt

(22) Filed: **Mar. 28, 2008**

(74) *Attorney, Agent, or Firm*—Brian S. Steinberger; Law Offices of Brian S. Steinberger, P.A.

**Related U.S. Application Data**

(57) **CLAIM**

(63) Continuation-in-part of application No. 29/302,183, filed on Jan. 11, 2008, now Pat. No. Des. 591,822, which is a continuation-in-part of application No. 29/299,849, filed on Jan. 4, 2008, which is a continuation-in-part of application No. 29/296,039, filed on Oct. 12, 2007, which is a continuation-in-part of application No. 11/871,632, filed on Oct. 12, 2007, which is a continuation-in-part of application No. 11/652,337, filed on Jan. 11, 2007, which is a continuation-in-part of application No. 11/485,762, filed on Jul. 13, 2006, now Pat. No. 7,490,429, which is a continuation-in-part of application No. 10/725,082, filed on Dec. 2, 2003, now Pat. No. 7,111,424.

The ornamental design for single accessory rail mount for vertical foregrips, as shown and described.

**DESCRIPTION**

(51) **LOC (9) Cl.** ..... **22-01**

(52) **U.S. Cl.** ..... **D22/109**

(58) **Field of Classification Search** ..... D22/100, D22/108, 109, 110, 199; 42/11, 113, 116, 42/119, 124, 125, 127, 90, 145, 128, 72, 42/106, 114, 85, 75.02, 71.01; 124/205.1, 124/201

FIG. 1 is an upper front left perspective of a single accessory rail mount for vertical foregrips.

FIG. 2 is an upper front right perspective view of the design of FIG. 1.

FIG. 3 is an upper rear right perspective view of the design of FIG. 1.

FIG. 4 is an upper rear left perspective view of the design of FIG. 1.

FIG. 5 is a lower front left perspective view of the design of FIG. 1.

FIG. 6 is a lower front right perspective view of the design of FIG. 1.

FIG. 7 is a front elevation view of the design of FIG. 1.

FIG. 8 is a rear elevation view of the design of FIG. 1.

FIG. 9 is a top plan view of the design of FIG. 1.

FIG. 10 is a bottom plan view of the design of FIG. 1.

FIG. 11 is a left side elevation view of the design of FIG. 1; and,

FIG. 12 is a right side elevation view of the design of FIG. 1.

See application file for complete search history.

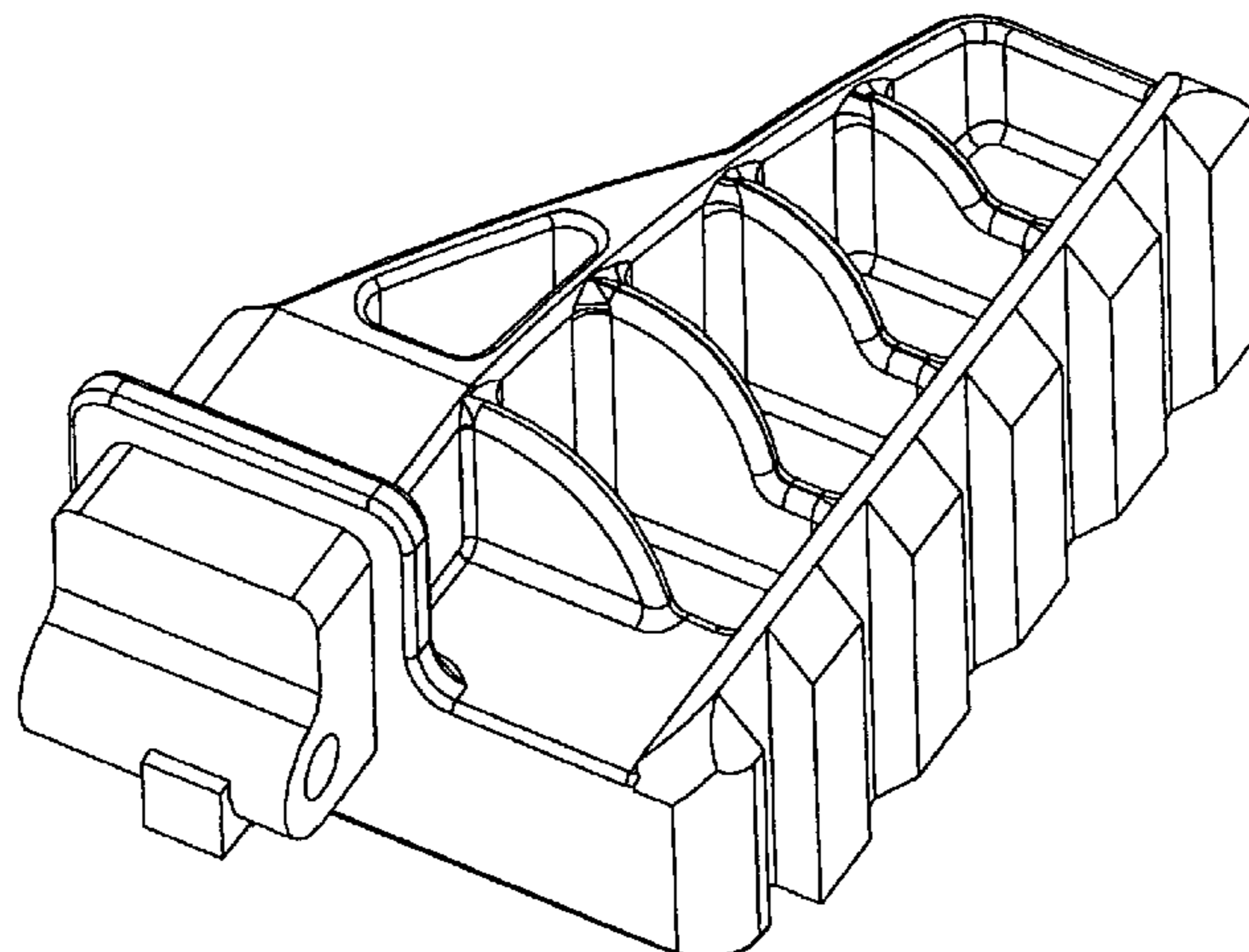
(56) **References Cited**

U.S. PATENT DOCUMENTS

271,251 A 1/1883 Leerbech et al.

(Continued)

**1 Claim, 9 Drawing Sheets**



U.S. PATENT DOCUMENTS

575,529 A 1/1897 Stephens  
 721,425 A 2/1903 Clyde  
 1,295,688 A 2/1919 Butler  
 1,355,660 A 10/1920 Farquhar et al.  
 1,382,409 A 6/1921 Butler  
 1,580,406 A 4/1926 Browning  
 2,386,802 A 10/1945 Johnson  
 2,420,267 A 5/1947 Sefried  
 2,436,349 A 2/1948 Adams  
 2,489,283 A 11/1949 Garand  
 2,763,456 A 9/1956 Breer  
 3,235,997 A 2/1966 Stoner  
 3,632,073 A 1/1972 Nakatani  
 4,121,799 A 10/1978 Michio  
 D265,920 S \* 8/1982 Bechtel ..... D22/109  
 4,545,660 A 10/1985 Rudolf  
 5,345,706 A 9/1994 Brown  
 5,384,609 A 1/1995 Ogawa et al.  
 5,438,786 A 8/1995 Hilderbrand  
 6,289,622 B1 9/2001 Desch, Jr. et al.  
 6,487,807 B1 12/2002 Kopman et al.

D556,290 S \* 11/2007 Swan ..... D22/109  
 2004/0103577 A1 \* 6/2004 Compton ..... 42/85  
 2005/0229465 A1 \* 10/2005 Dextraze ..... 42/85  
 2005/0241206 A1 11/2005 Teetzel et al.  
 2007/0199225 A1 \* 8/2007 Haugen ..... 42/85  
 2007/0271834 A1 \* 11/2007 Keng ..... 42/124  
 2008/0072471 A1 \* 3/2008 Keng ..... 42/124

OTHER PUBLICATIONS

Brugger & Thornet Unipod, Forward grip with retractable bipod, [online] DSA Inc. Systems Second to None, DSA Order <http://www.dsarms.com/item-detail.cfm?ID=BT21830A&storeid=1&image=bt21830A.gif>.

Command Arms Accessories, Flashlight Grip Adaptor, [online] Products, Grips, Pistol Grips, Forward Grips, 3 pages, [Retrieved on Jan. 4, 2008] Retrieved from: <http://www.commandarms.com/product.asp?PID=225&CID=12>.

KZ Tactical Foregrip Rail, The Ultimate Vertical Grip, [online] BotachTactical.com, KZ Tactical Foregrip Rail, 5 pages [Retrieved on Jan. 4, 2008] Retrieved from: <http://www.botachtactical.com/kzozepigr.html>.

\* cited by examiner

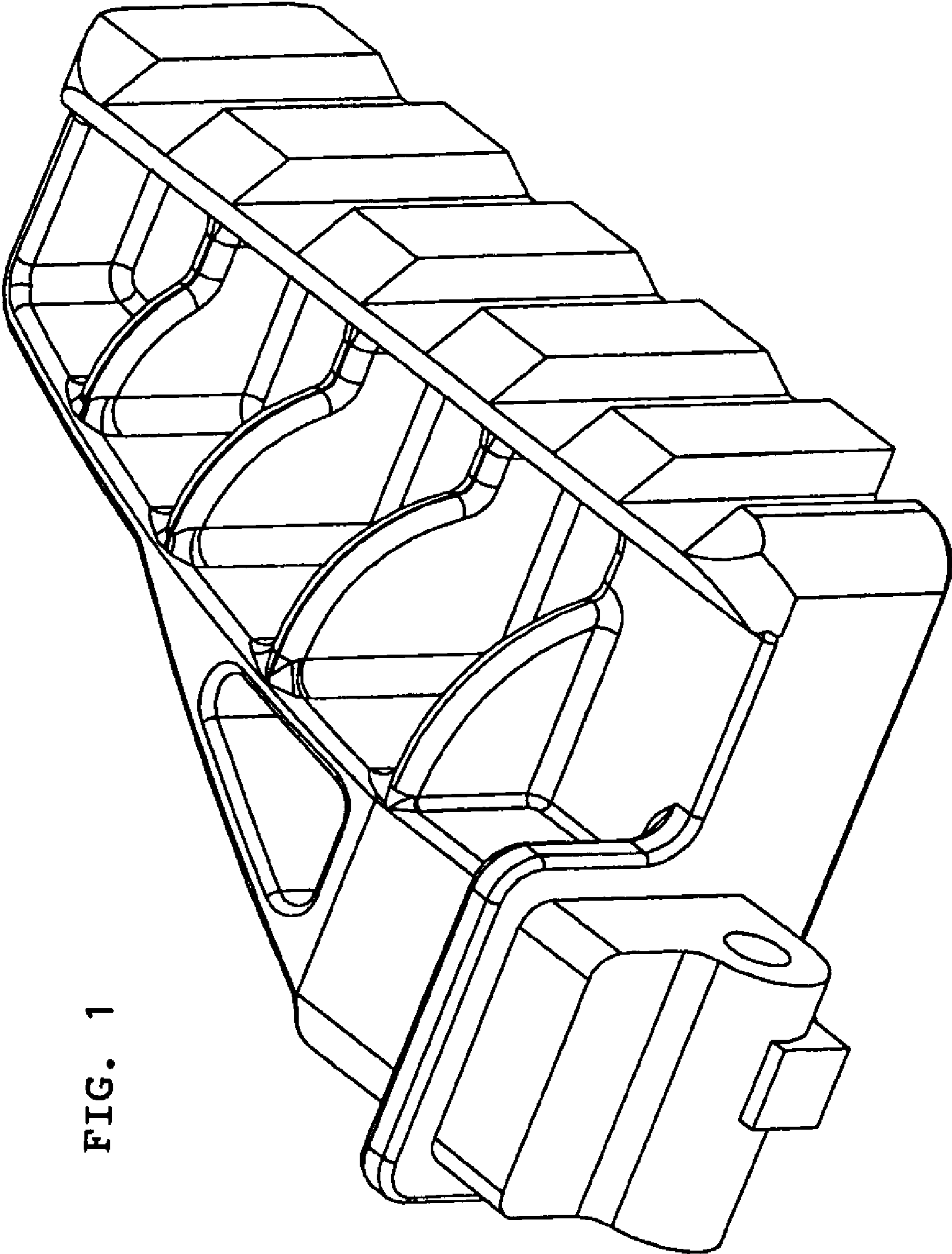


FIG. 1

FIG. 2

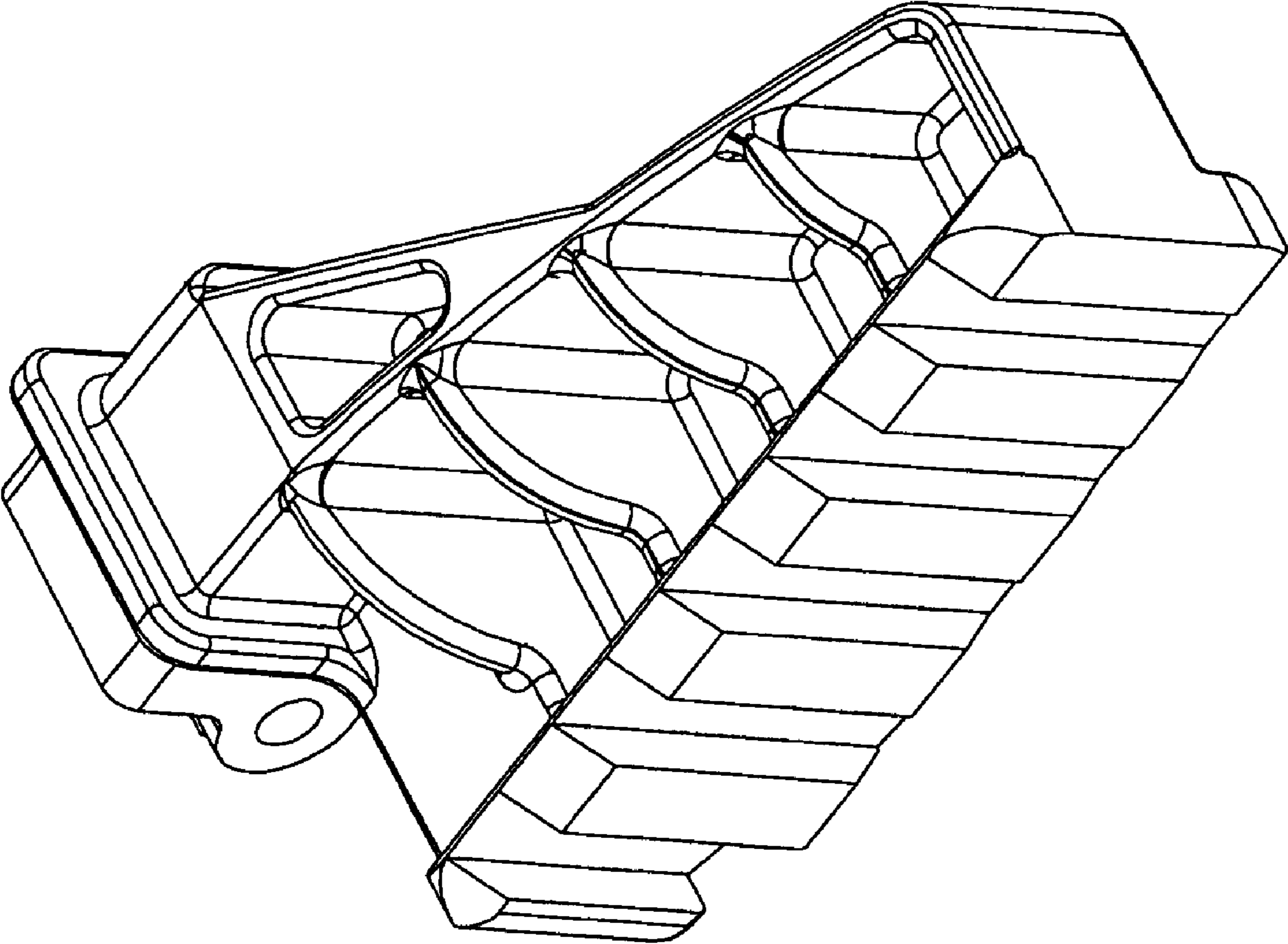
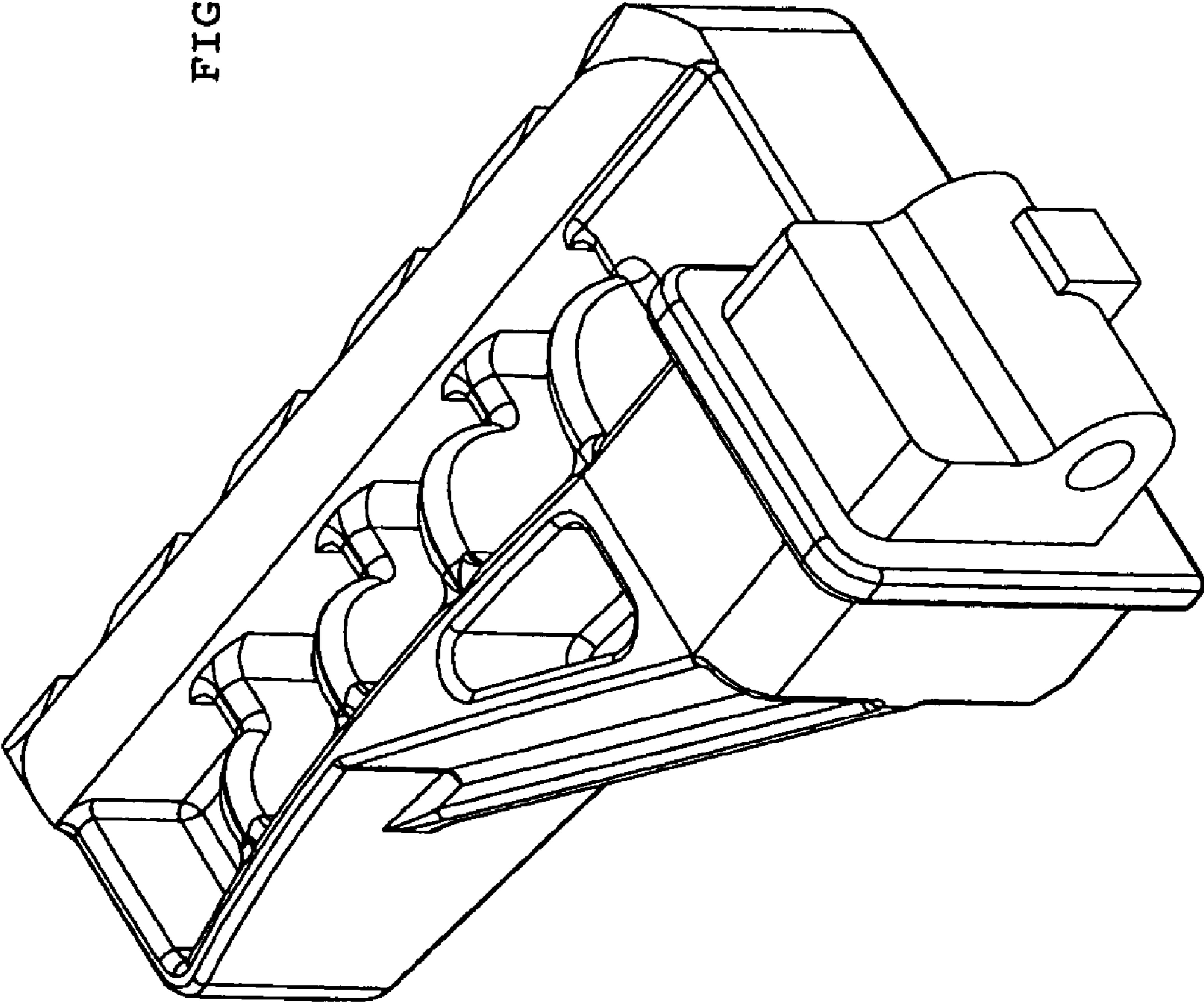




FIG. 3



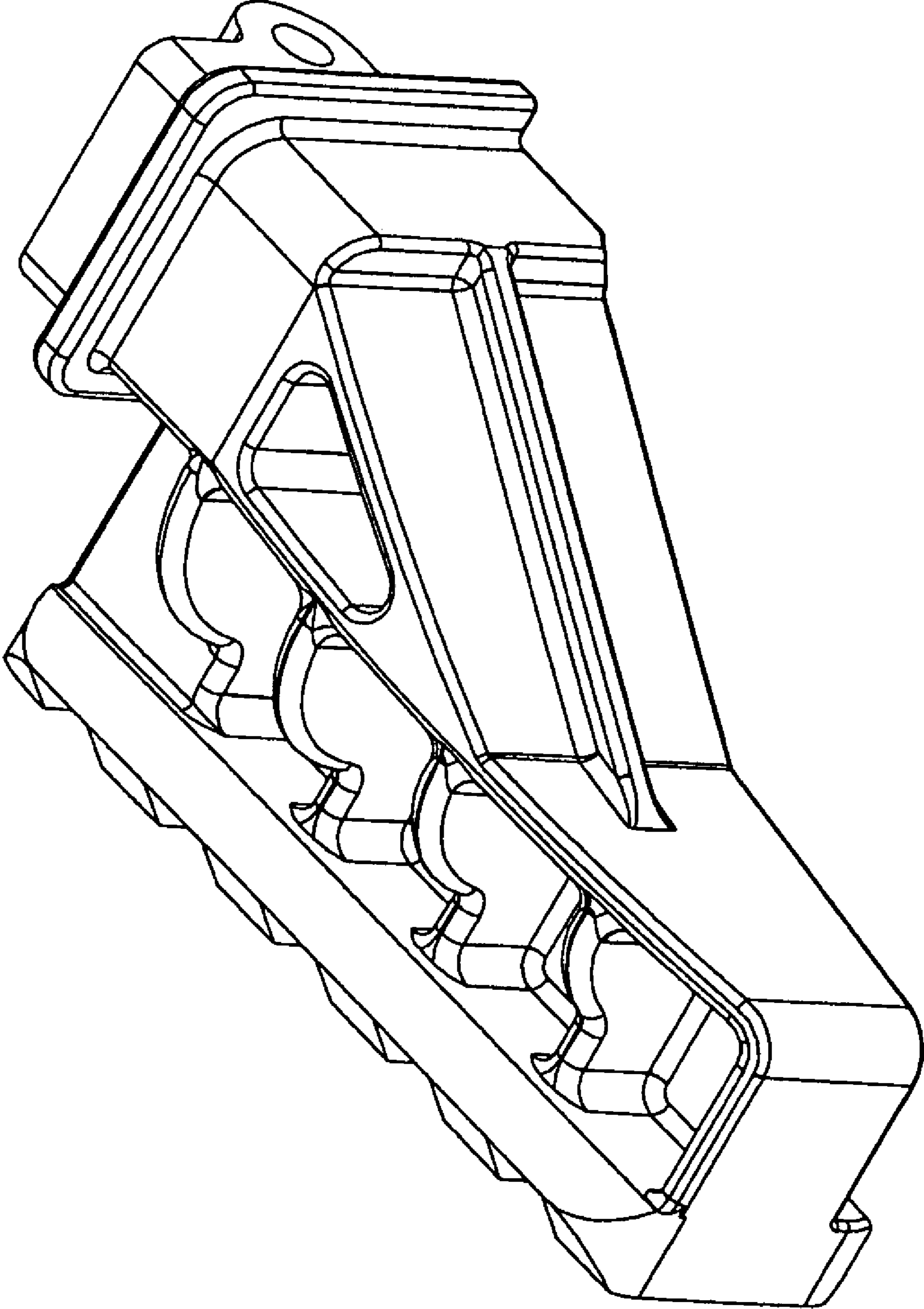
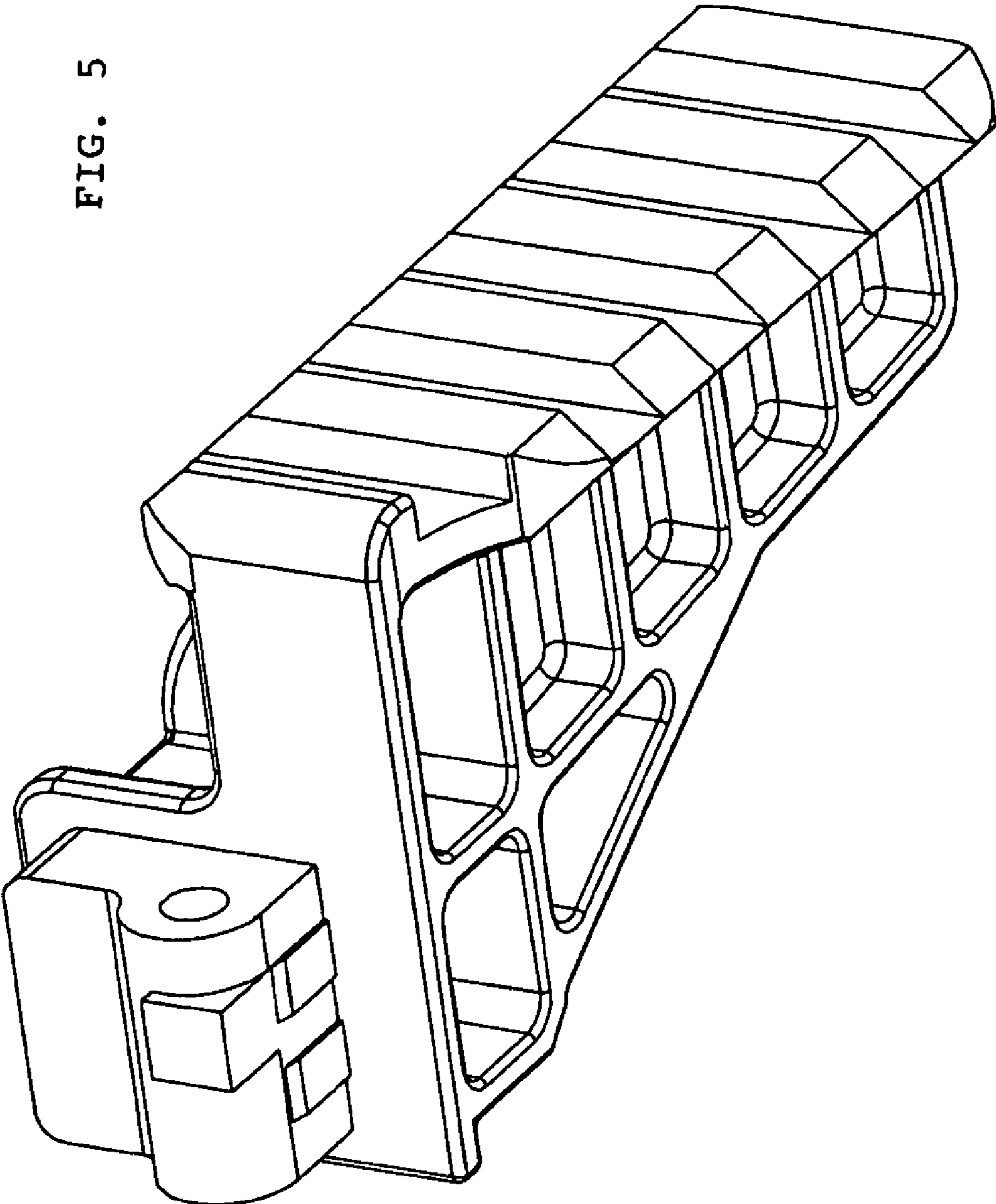


FIG. 4

FIG. 5



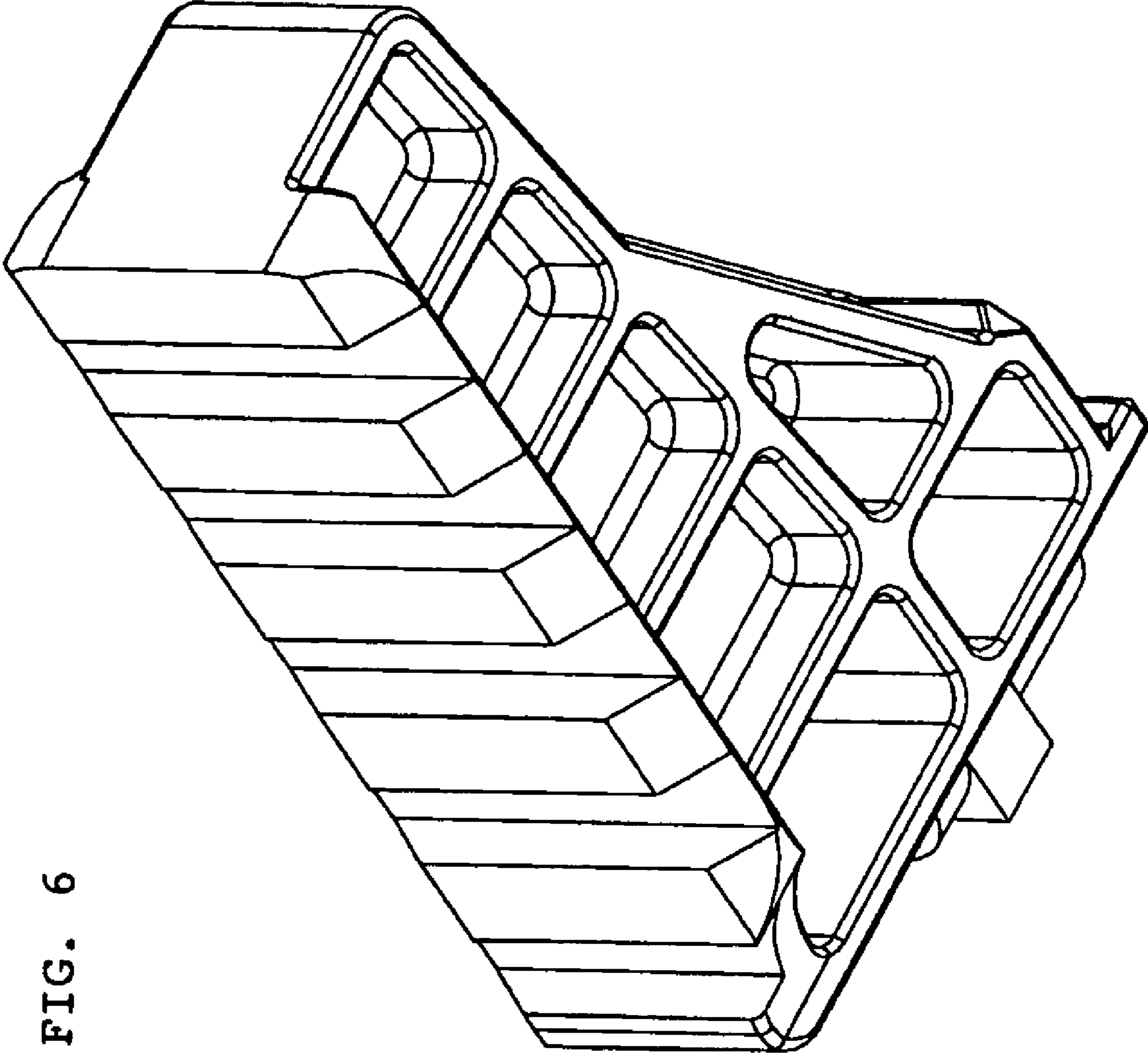


FIG. 6



FIG. 8

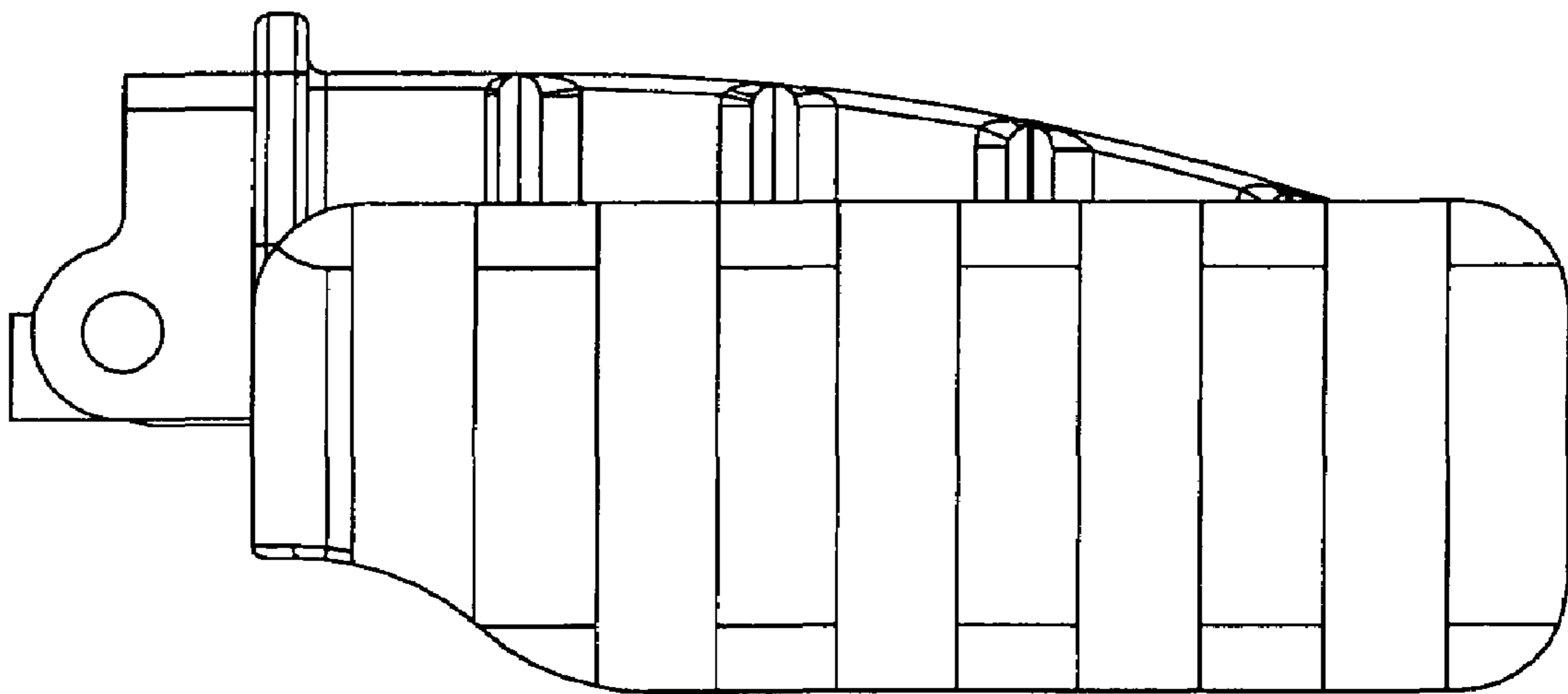
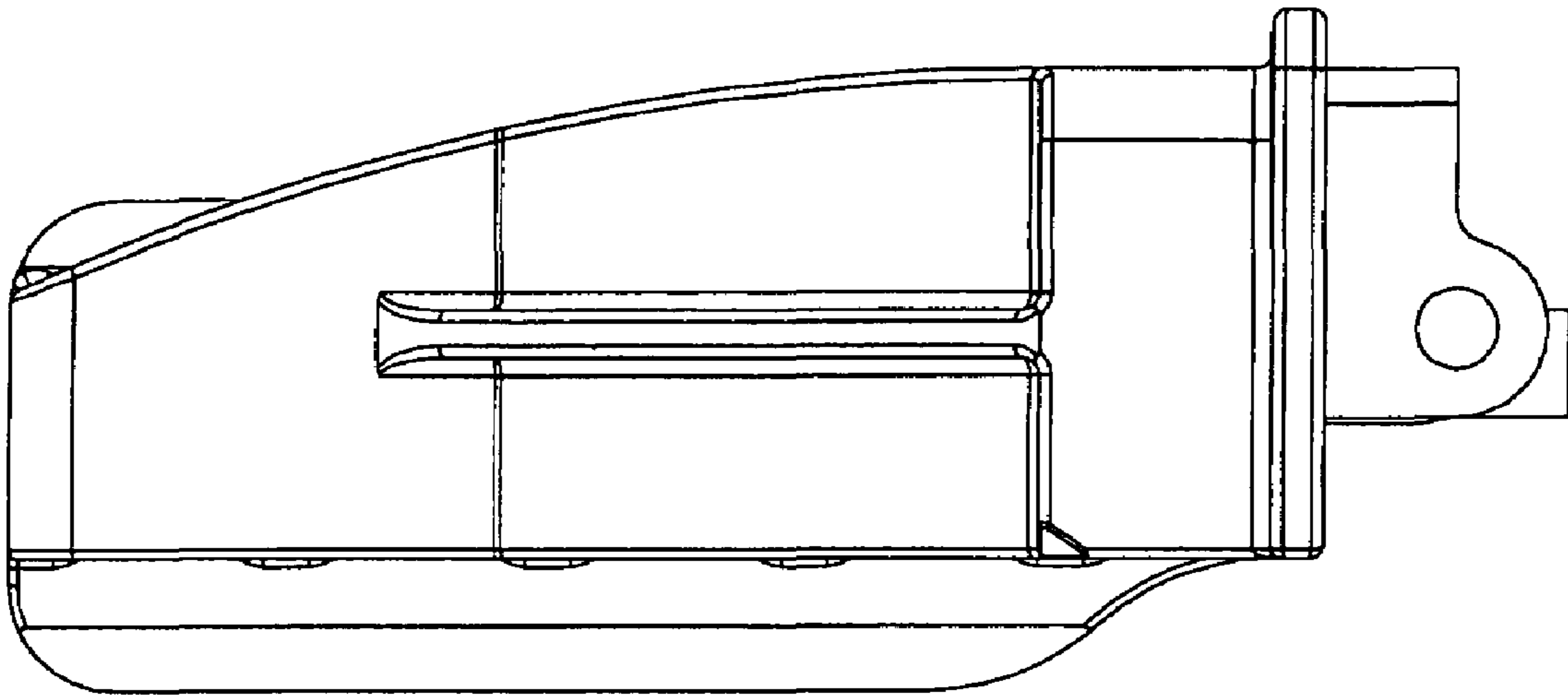


FIG. 7

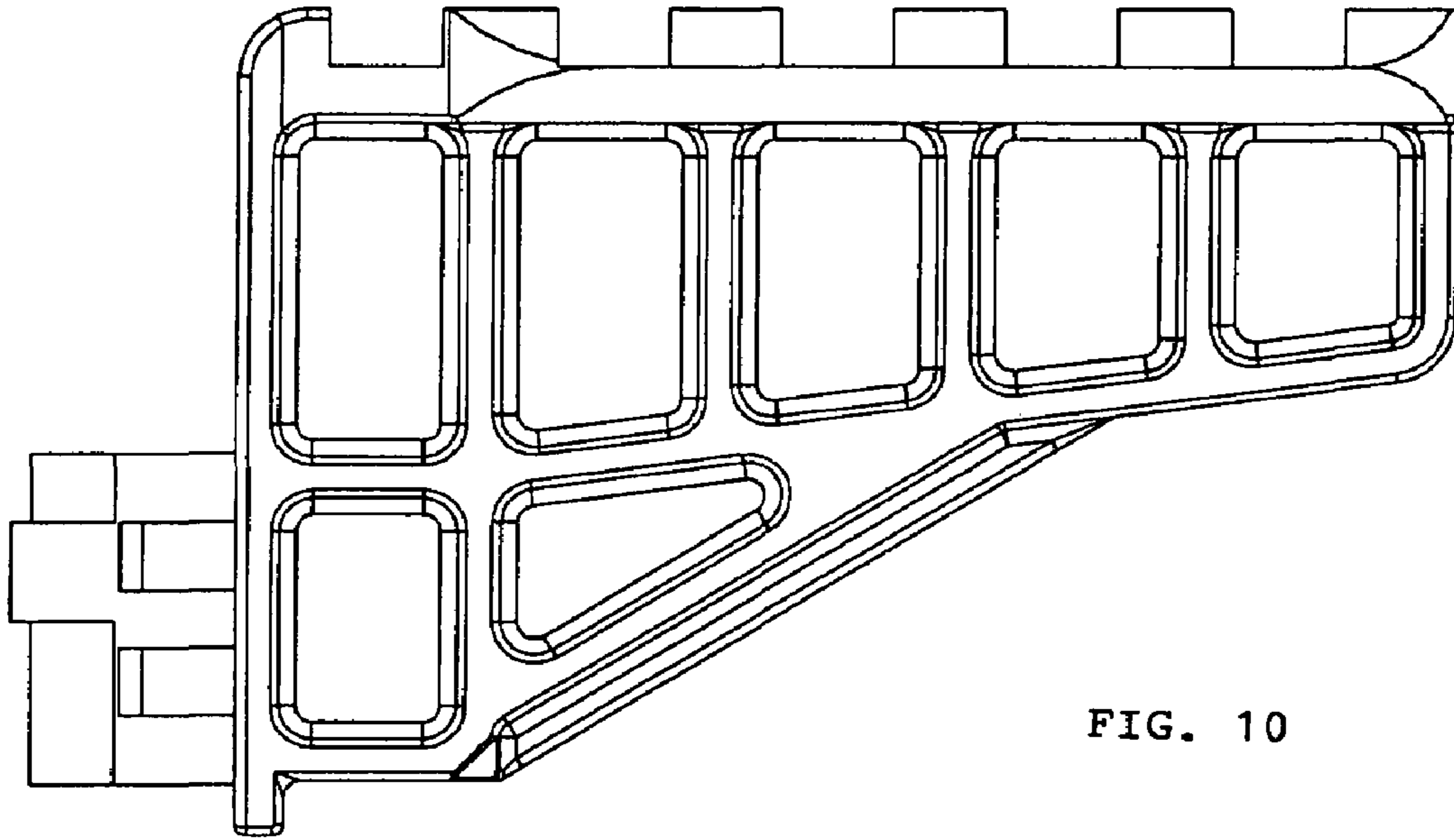


FIG. 10

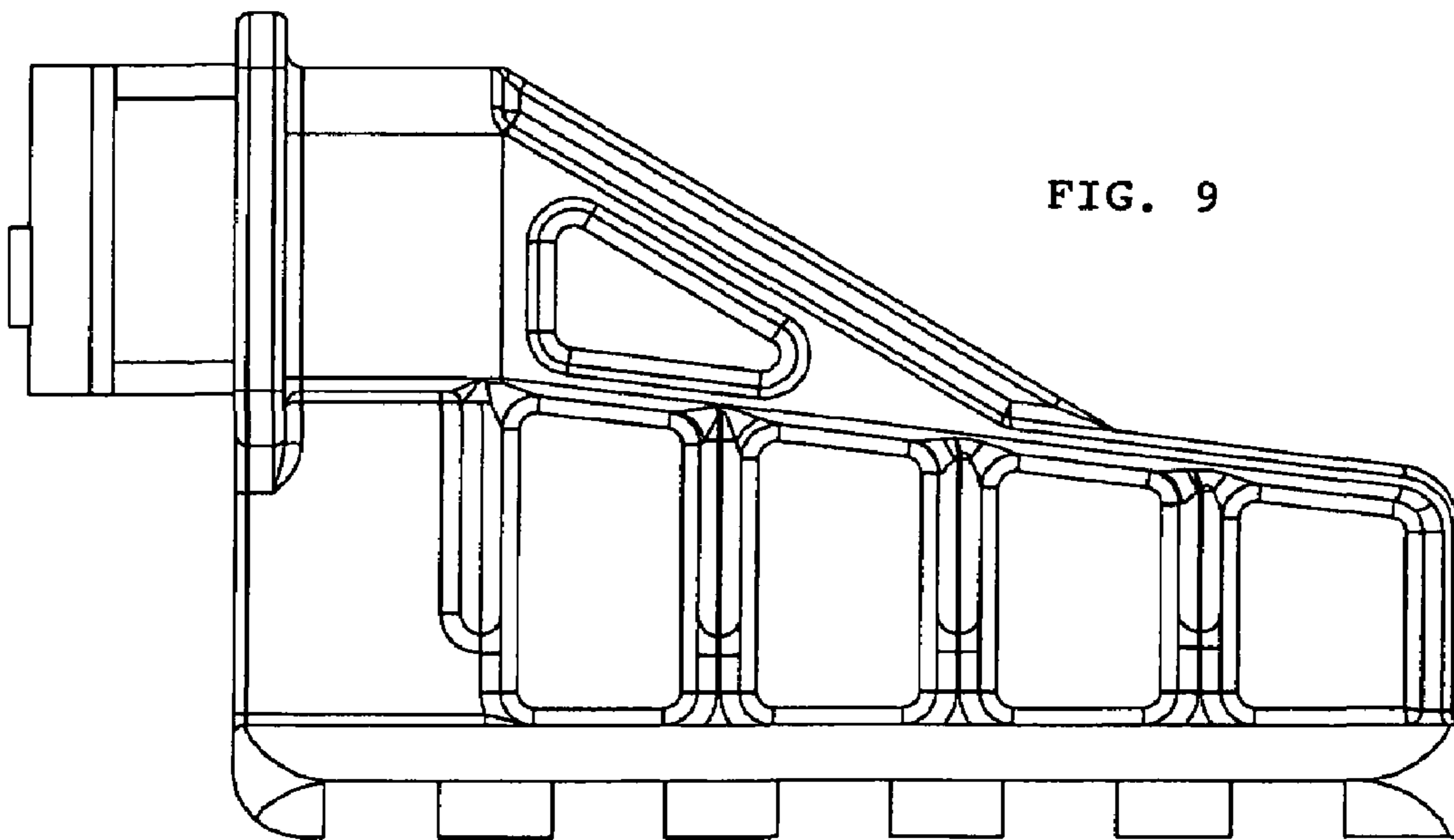


FIG. 9

FIG. 12

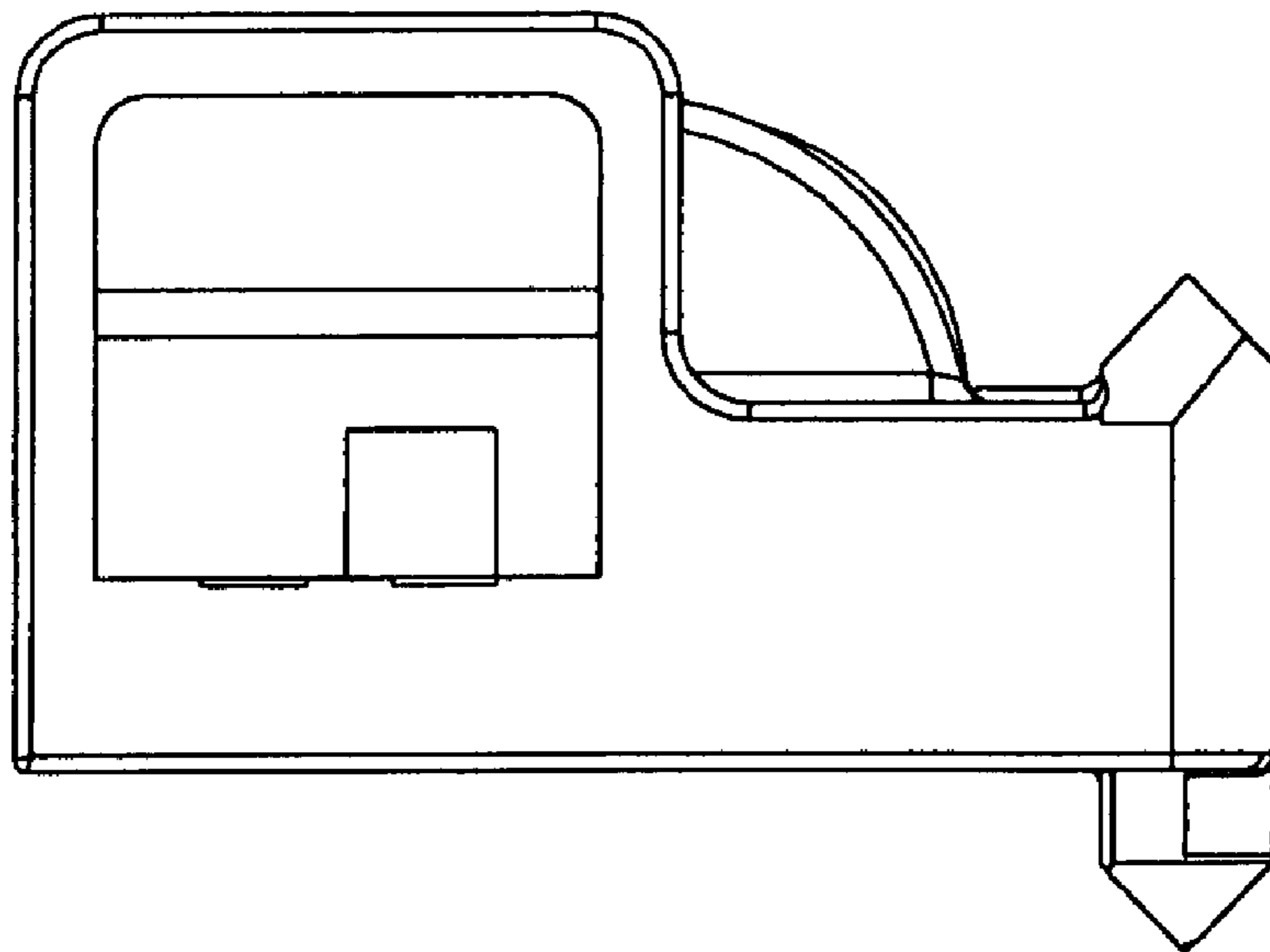
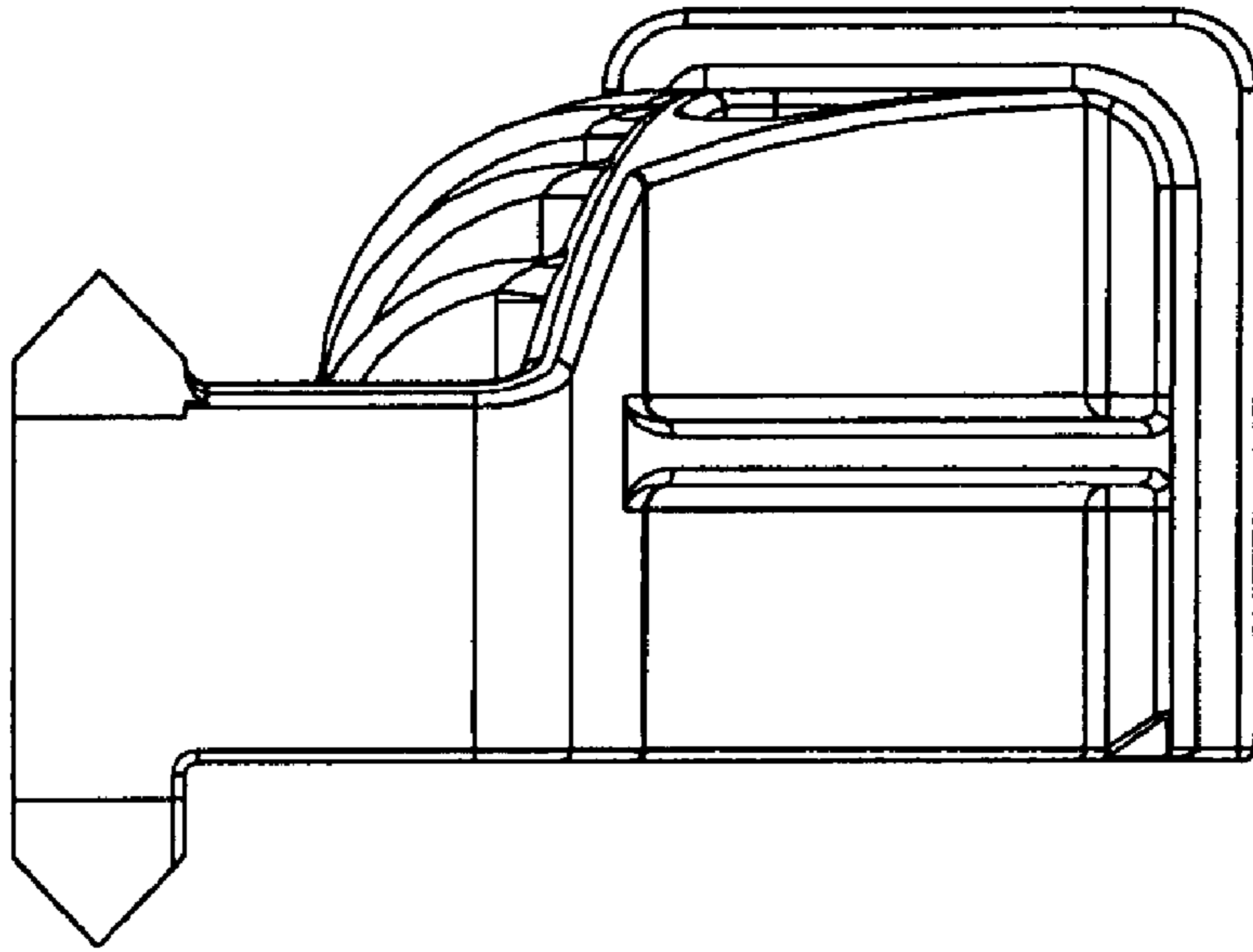


FIG. 11