



US00D594083S

(12) **United States Design Patent**
Mayberry et al.

(10) **Patent No.:** **US D594,083 S**
(45) **Date of Patent:** **** Jun. 9, 2009**

(54) **REAR SIGHT FOR A FIREARM**

(57) **CLAIM**

(75) Inventors: **Michael T. Mayberry**, Denver, CO (US); **Michael J. Baranello**, Denver, CO (US)

The ornamental design for a rear sight for a firearm, as shown and described.

(73) Assignee: **Magpul Industries Corp.**, Erie, CO (US)

DESCRIPTION

(**) Term: **14 Years**

FIG. 1 is a front elevation view of the rear sight for a firearm in a stowed position.

(21) Appl. No.: **29/303,208**

FIG. 2 is a rear elevation view of the rear sight for a firearm of FIG. 1.

(22) Filed: **Feb. 1, 2008**

FIG. 3 is a left/front/top perspective view of the rear sight for a firearm of FIG. 1.

(51) **LOC (9) Cl.** **22-01**

(52) **U.S. Cl.** **D22/109**

(58) **Field of Classification Search** D22/100, D22/108, 109, 110, 199; 42/11, 72, 75.02, 42/71.01, 85, 90, 106, 114, 113, 116, 119, 42/124, 125, 127, 145, 128; 248/201, 205.1
See application file for complete search history.

FIG. 4 is a right elevation view of the rear sight for a firearm of FIG. 1.

FIG. 5 is a left elevation view of the rear sight for a firearm of FIG. 1.

FIG. 6 is a top plan view of the rear sight for a firearm of FIG. 1.

(56) **References Cited**

U.S. PATENT DOCUMENTS

D235,339 S *	6/1975	Edstrom	D22/109
D354,111 S *	1/1995	Karppinen	D22/109
2003/0140546 A1 *	7/2003	Kay	42/133
2006/0156559 A1 *	7/2006	Forrest	33/265
2007/0130817 A1 *	6/2007	Ballard	42/118
2007/0234625 A1 *	10/2007	Kidd	42/111
2007/0271834 A1 *	11/2007	Keng	42/124
2008/0034638 A1 *	2/2008	Spuhr	42/127
2008/0253110 A1 *	10/2008	Wu	362/113

FIG. 7 is a bottom plan view of the rear sight for a firearm of FIG. 1.

FIG. 8 is a right/top/rear perspective view of the rear sight for a firearm of FIG. 1.

FIG. 9 is a right/bottom/rear perspective view of the rear sight for a firearm of FIG. 1.

FIG. 10 is a right/bottom/front perspective view of the rear sight for a firearm of FIG. 1.

FIG. 11 is a right/top/front perspective view of the rear sight for a firearm of FIG. 1.

FIG. 12 is a left/bottom/front perspective view of the rear sight for a firearm of FIG. 1.

FIG. 13 is a left/bottom/rear perspective view of the rear sight for a firearm of FIG. 1.

FIG. 14 is a left/top/rear perspective view of the rear sight for a firearm of FIG. 1.

FIG. 15 is a front elevation view of the rear sight for a firearm in a deployed position.

* cited by examiner

Primary Examiner—T. Chase Nelson
Assistant Examiner—Michael A Pratt
(74) *Attorney, Agent, or Firm*—Geoffrey E. Dobbin

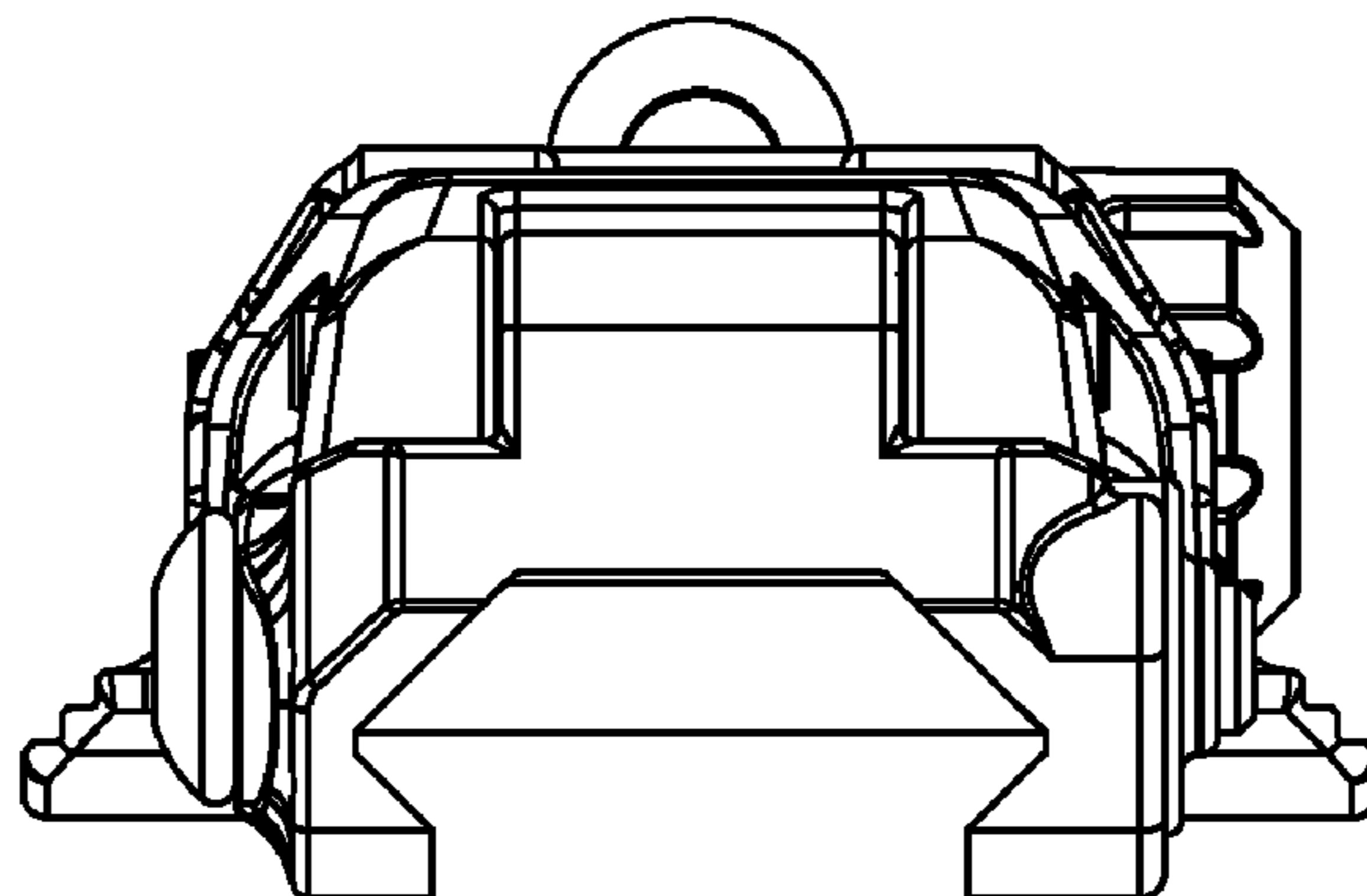


FIG. **16** is a rear elevation view of the rear sight for a firearm of FIG. **15**.

FIG. **17** is a left/front/top perspective view of the rear sight for a firearm of FIG. **15**.

FIG. **18** is a right elevation view of the rear sight for a firearm of FIG. **15**.

FIG. **19** is a left elevation view of the rear sight for a firearm of FIG. **15**.

FIG. **20** is a top plan view of the rear sight for a firearm of FIG. **15**.

FIG. **21** is a bottom plan view of the rear sight for a firearm of FIG. **15**.

FIG. **22** is a right/top/rear perspective view of the rear sight for a firearm of FIG. **15**

FIG. **23** is a right/bottom/rear perspective view of the rear sight for a firearm of FIG. **15**.

FIG. **24** is a right/bottom/front perspective view of the rear sight for a firearm of FIG. **15**.

FIG. **25** is a right/top/front perspective view of the rear sight for a firearm of FIG. **15**.

FIG. **26** is a left/bottom/front perspective view of the rear sight for a firearm of FIG. **15**.

FIG. **27** is a left/bottom/rear perspective view of the rear sight for a firearm of FIG. **15**; and,

FIG. **28** is a left/top/rear perspective view of the rear sight for a firearm of FIG. **15**.

1 Claim, 8 Drawing Sheets

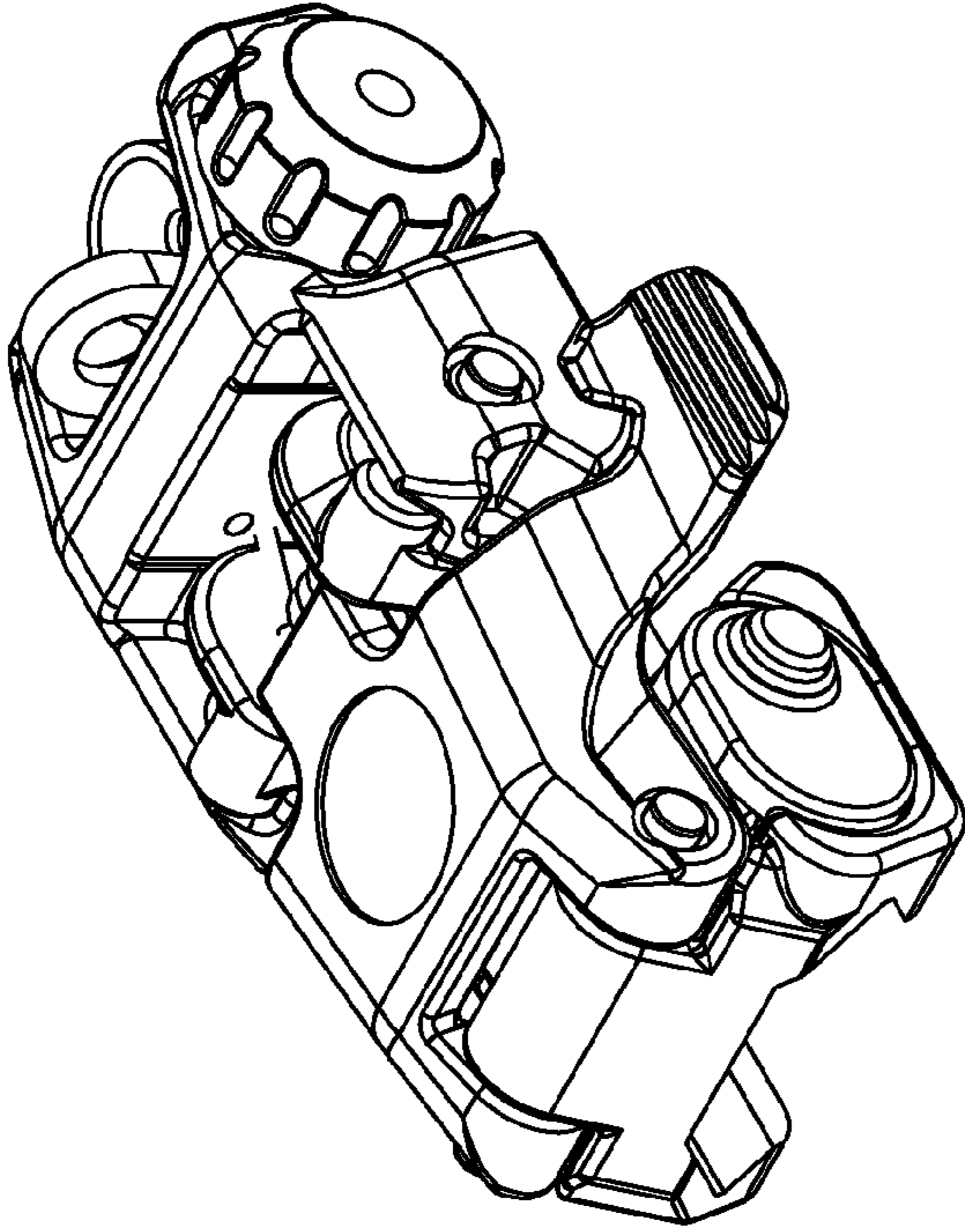


FIG. 3

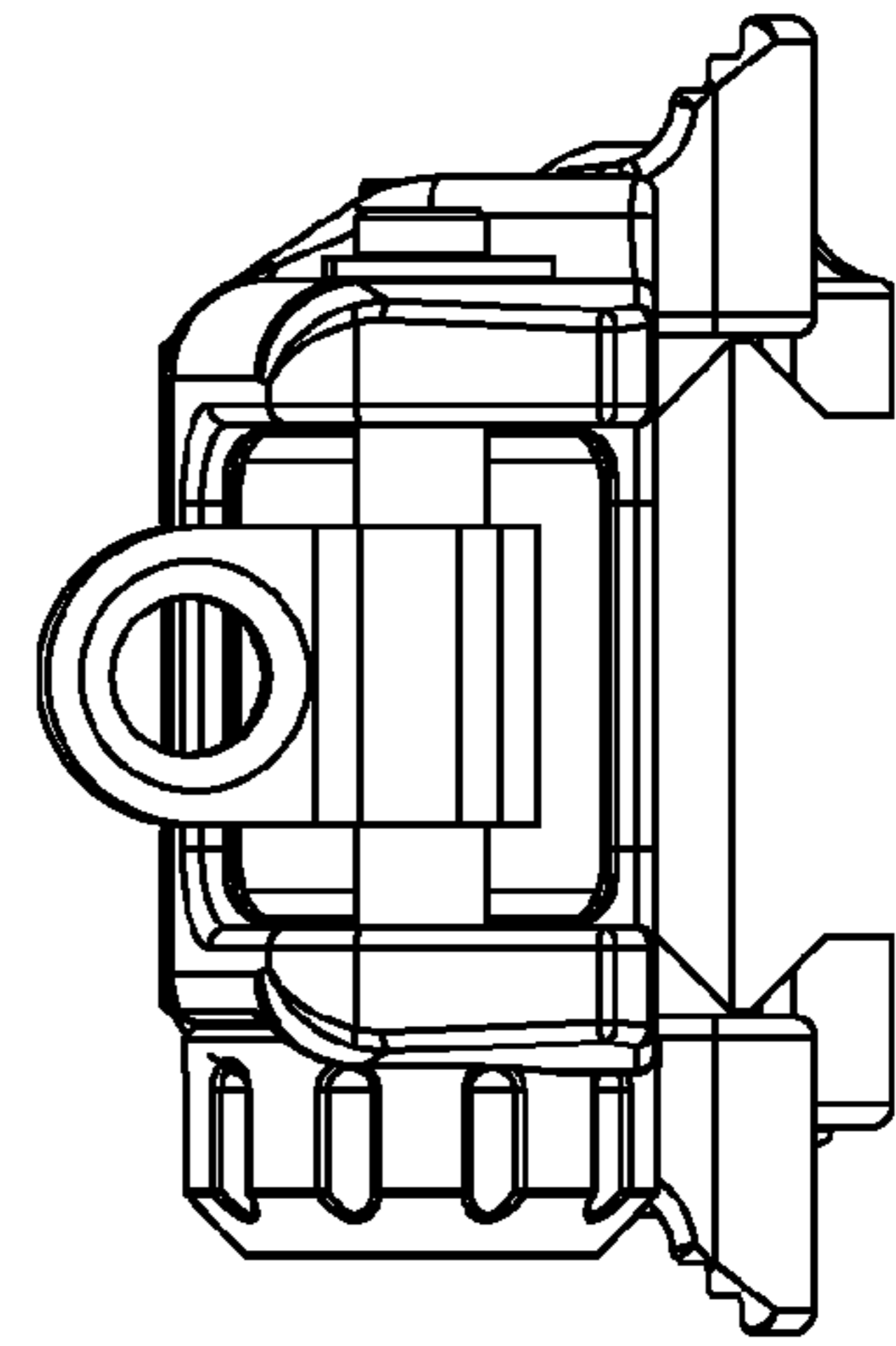


FIG. 2

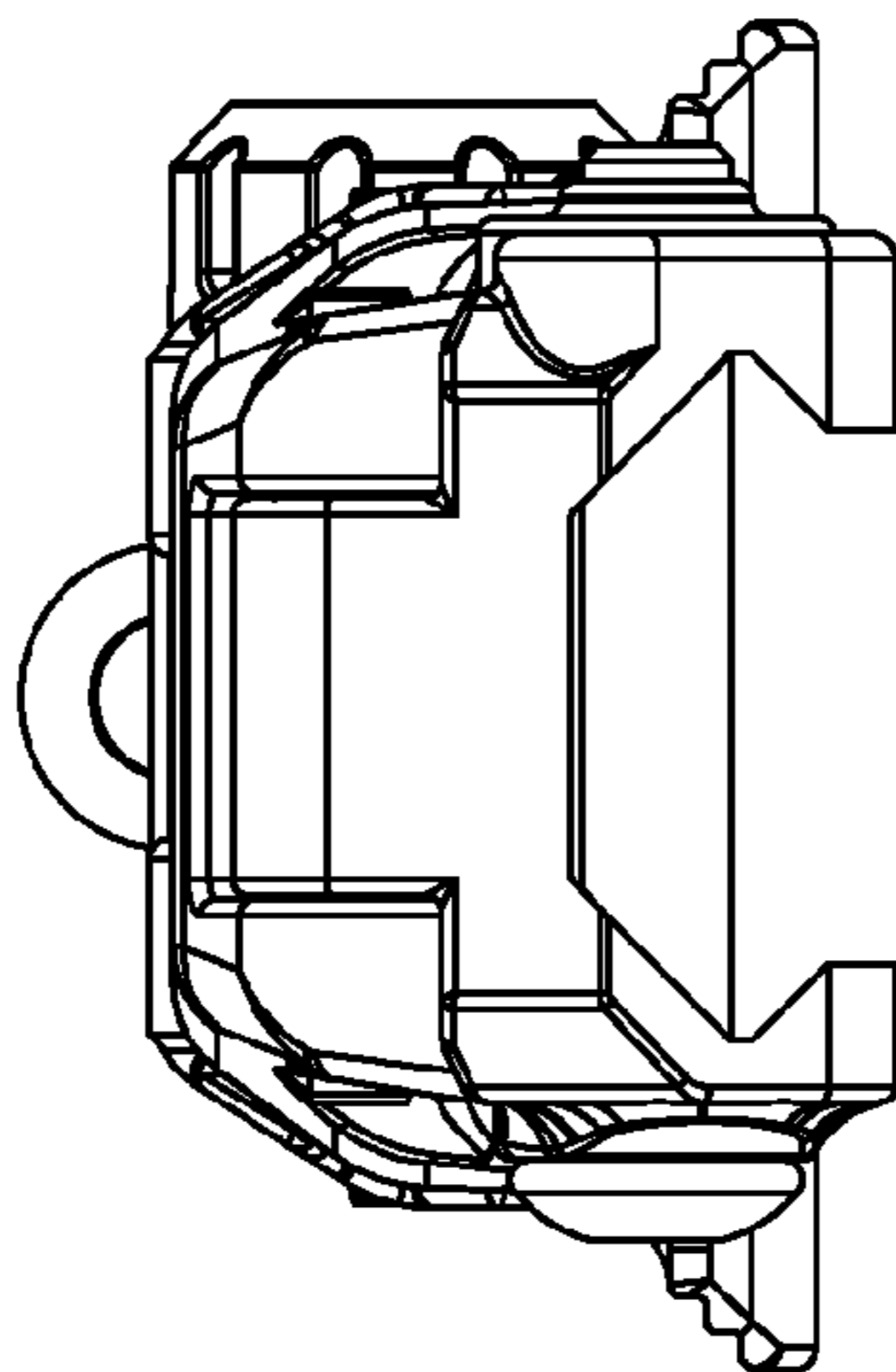


FIG. 1

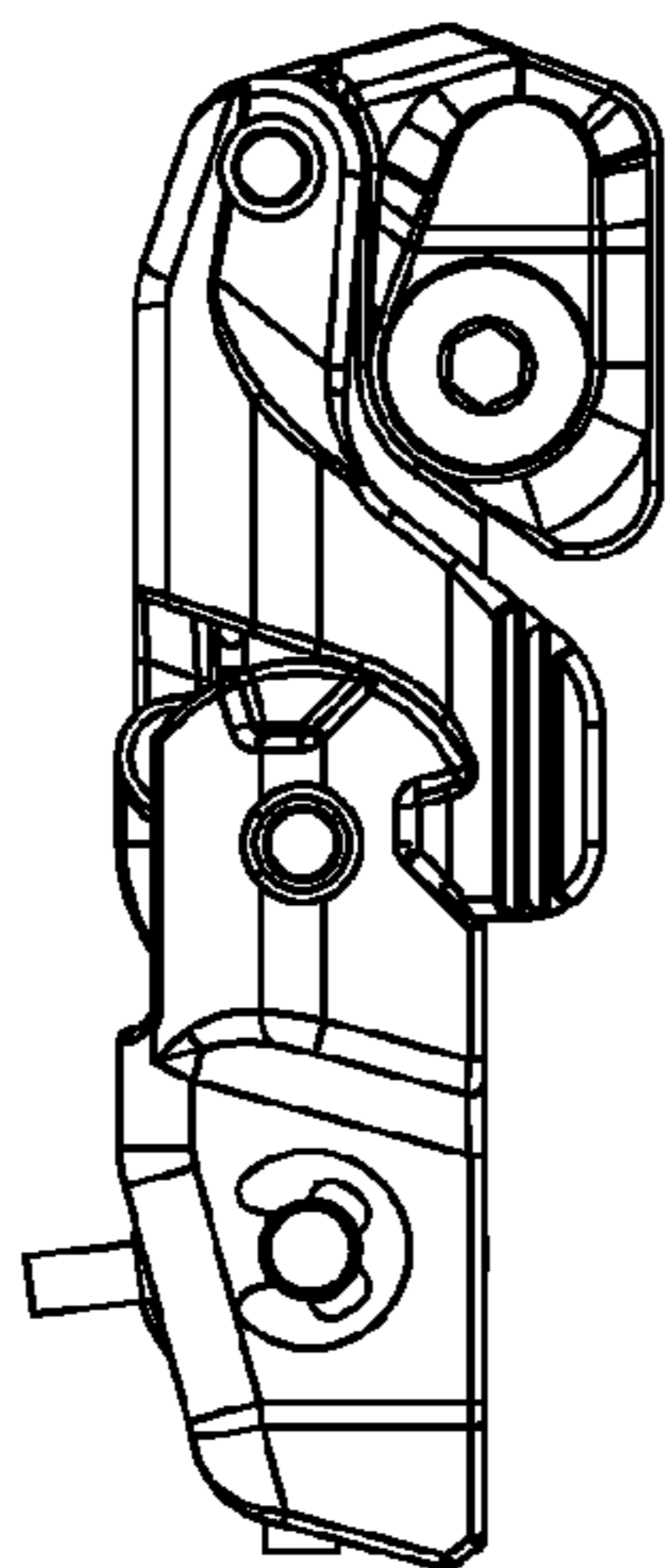


FIG. 4

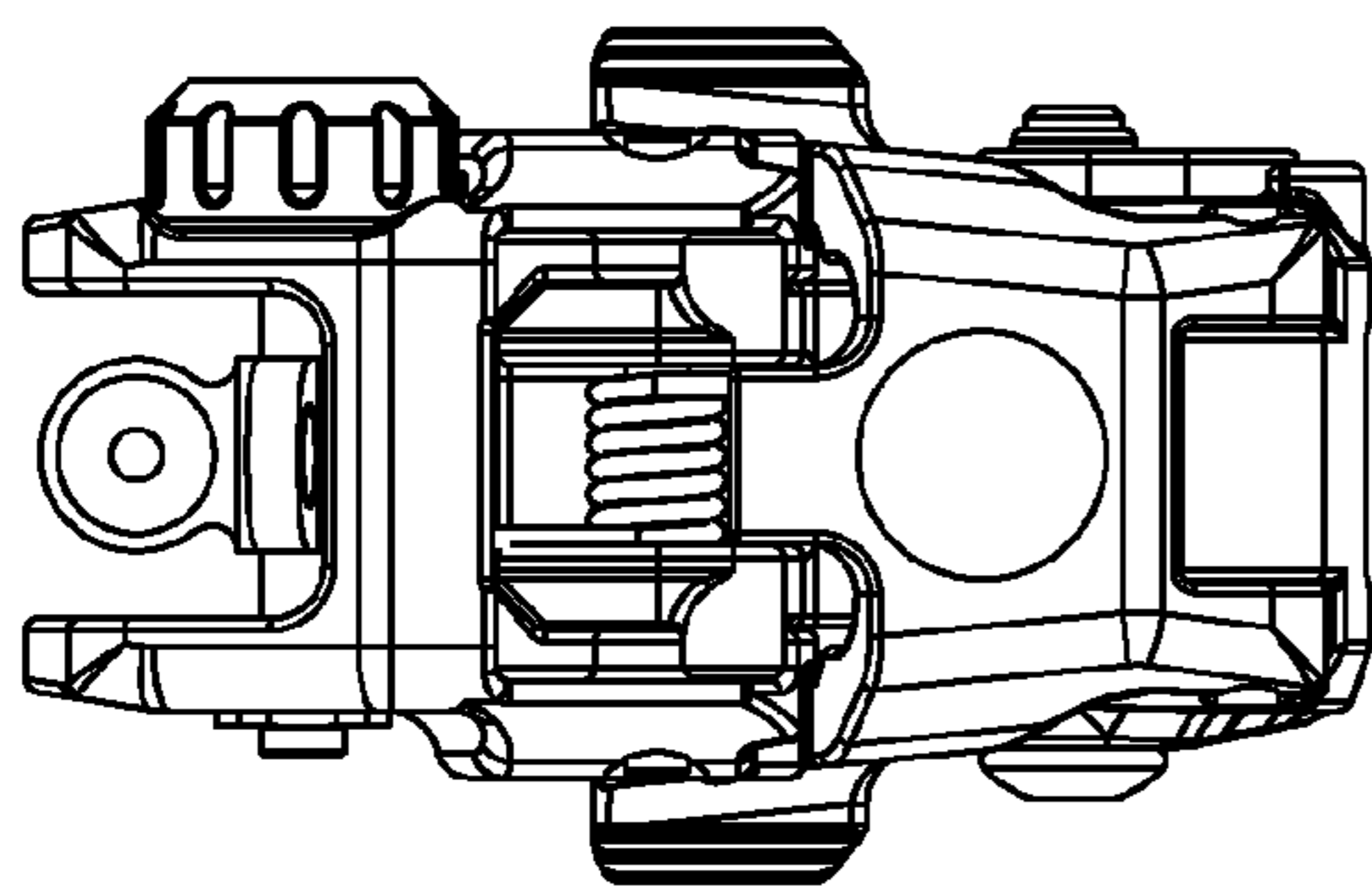


FIG. 6

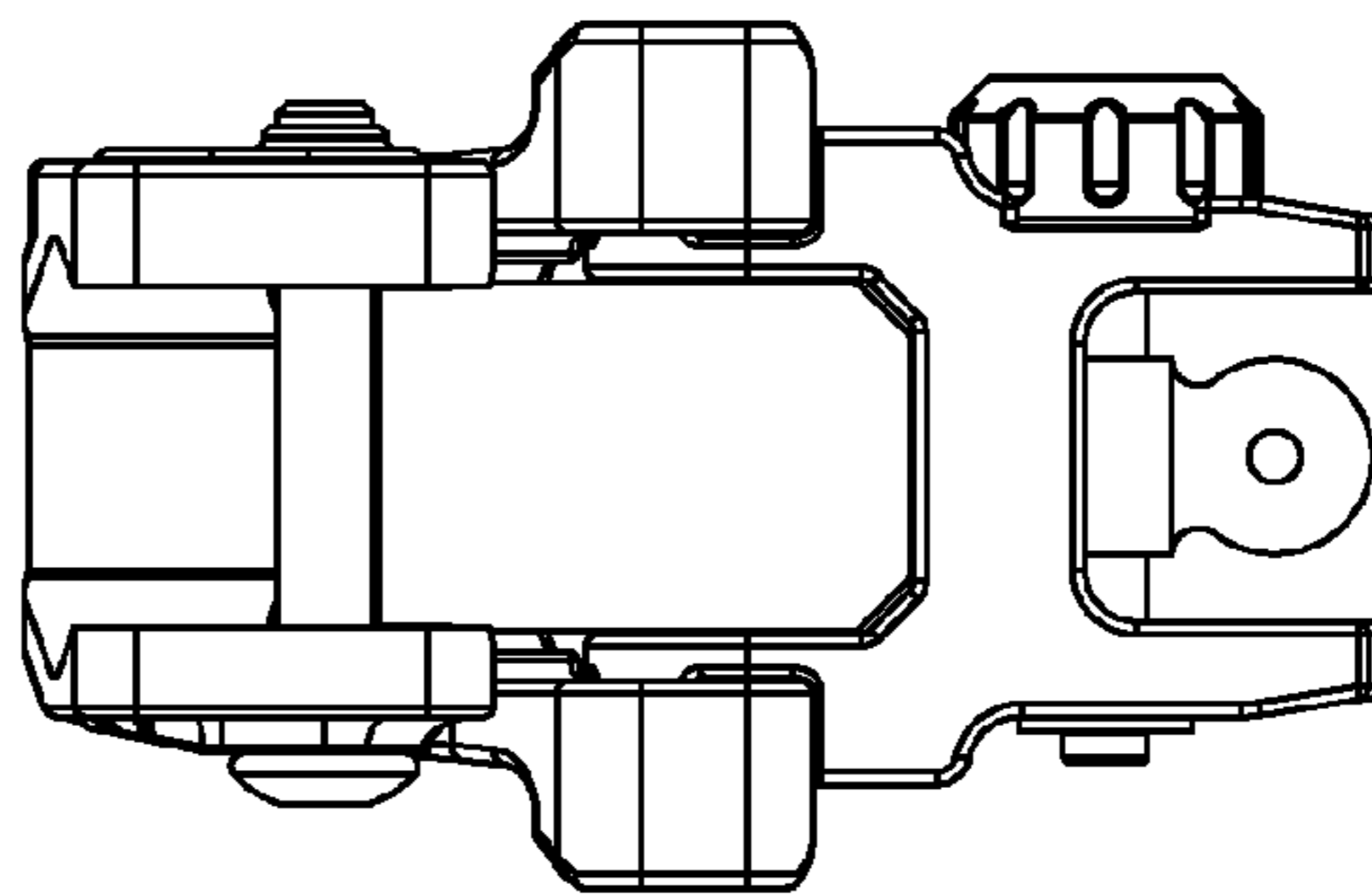


FIG. 7

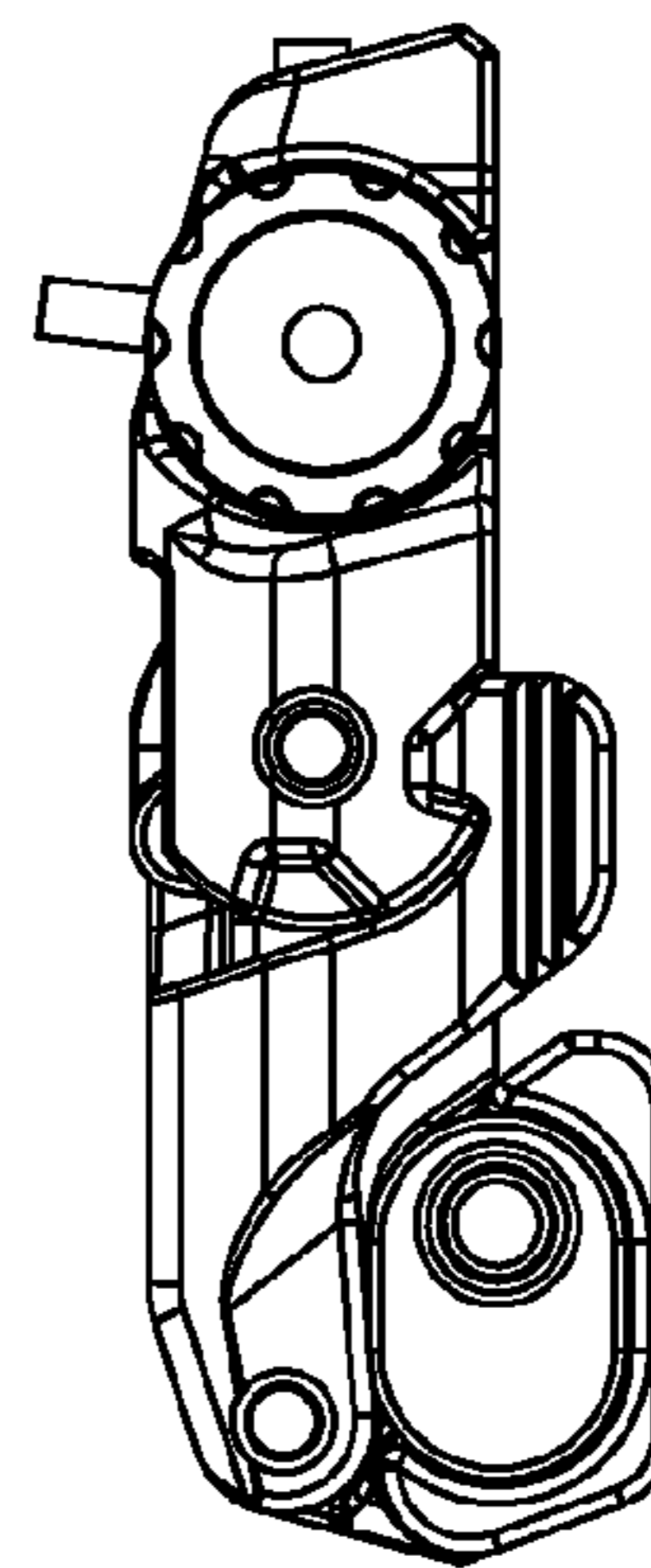


FIG. 5

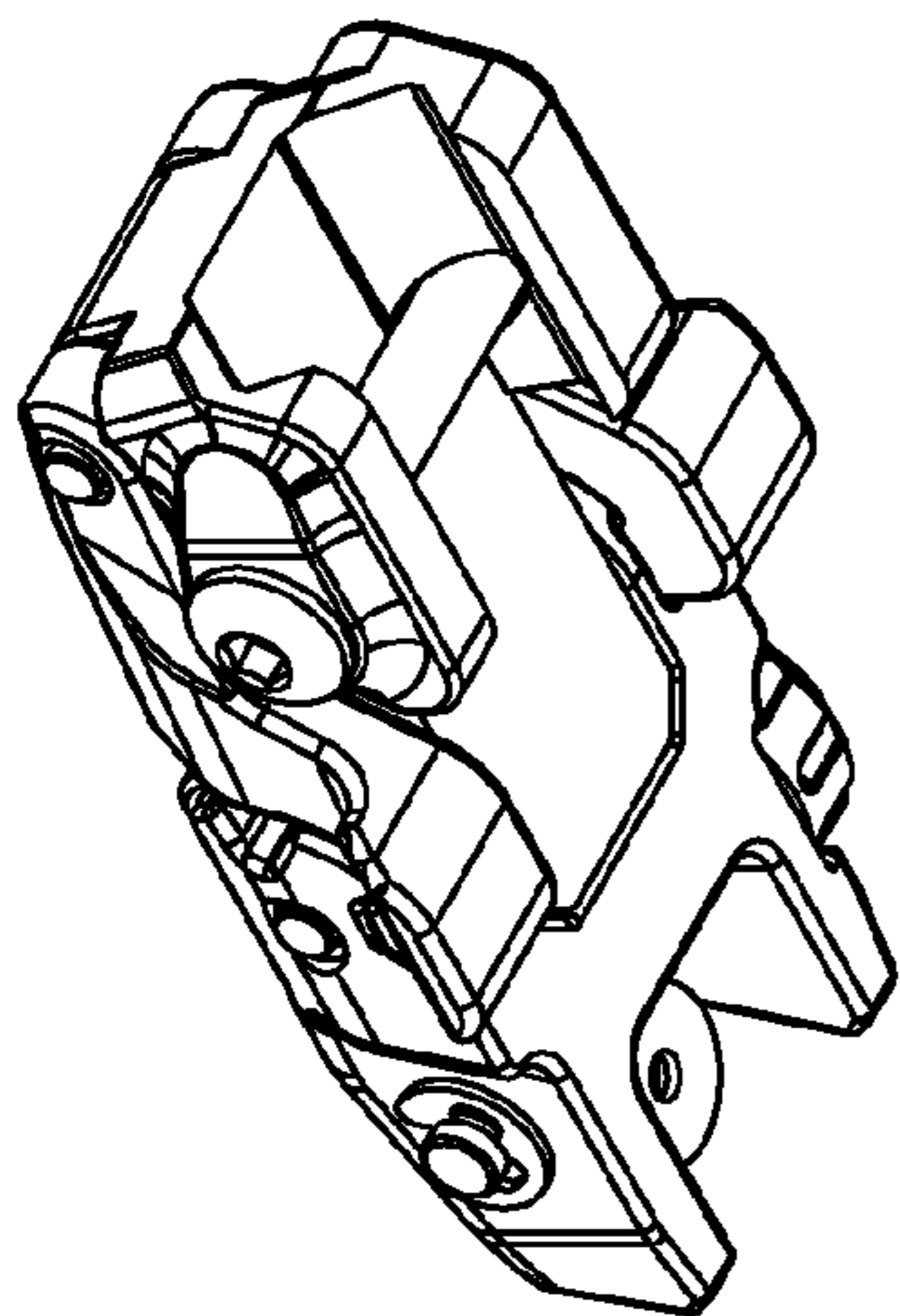


FIG. 10

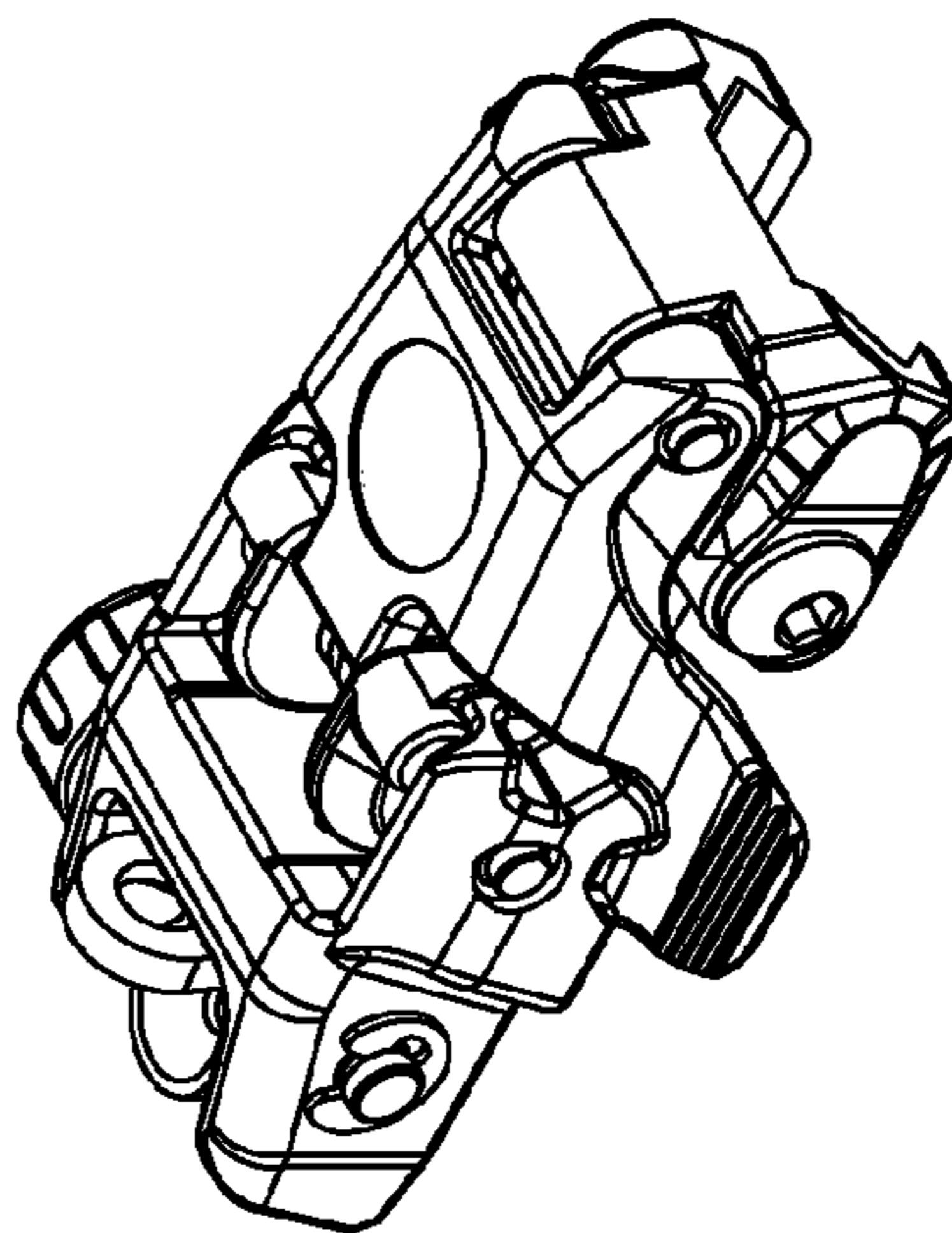


FIG. 11

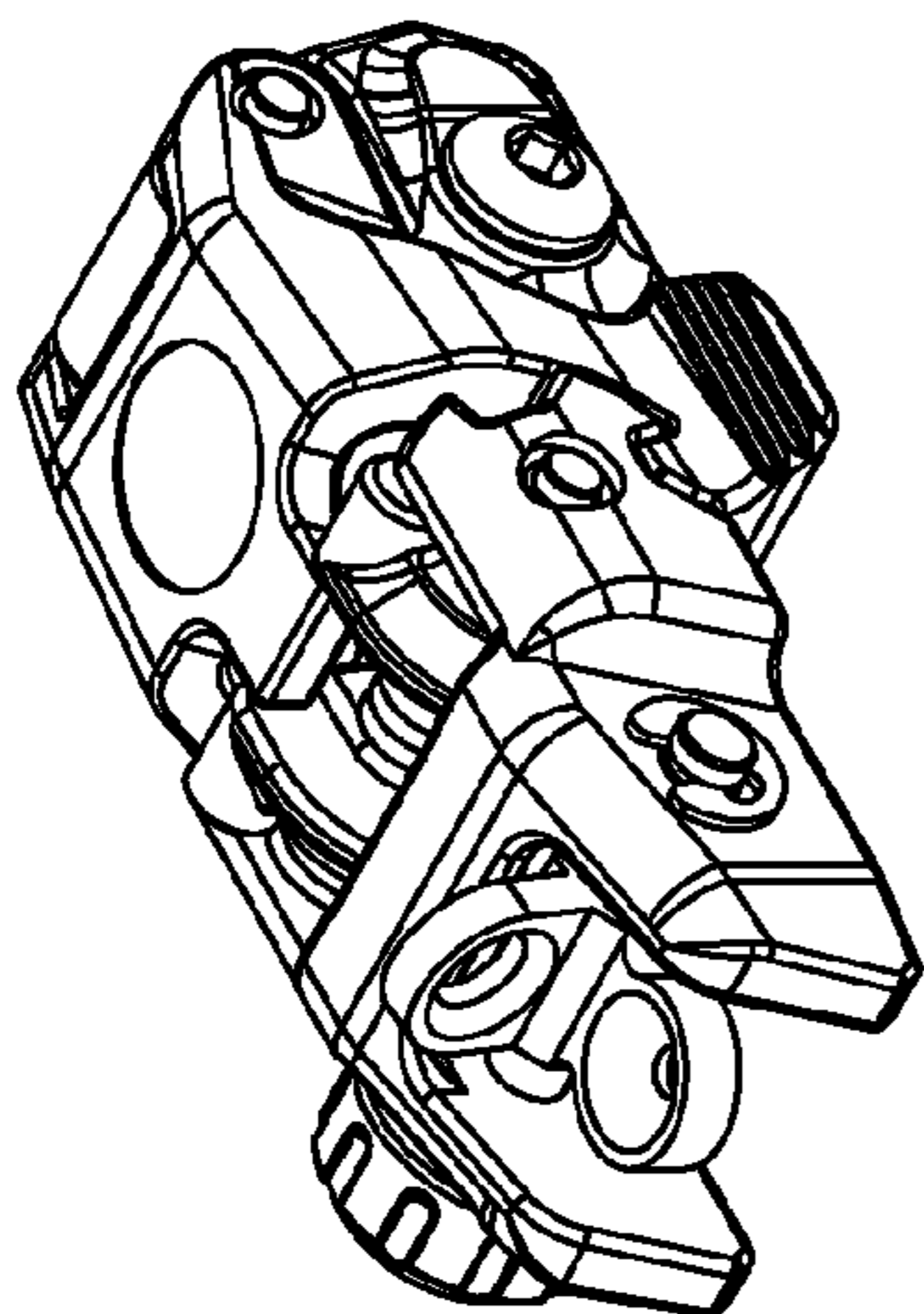


FIG. 8

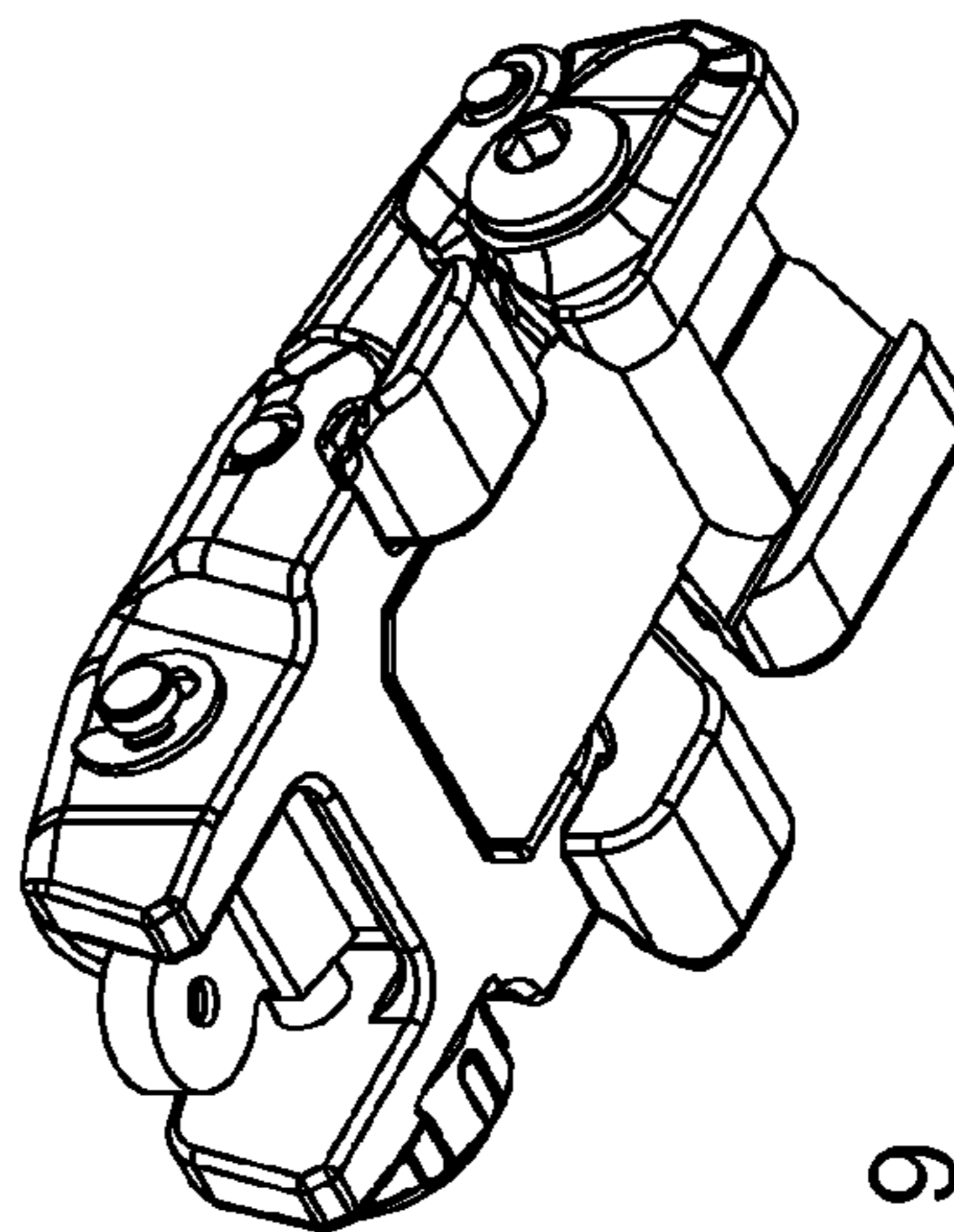


FIG. 9

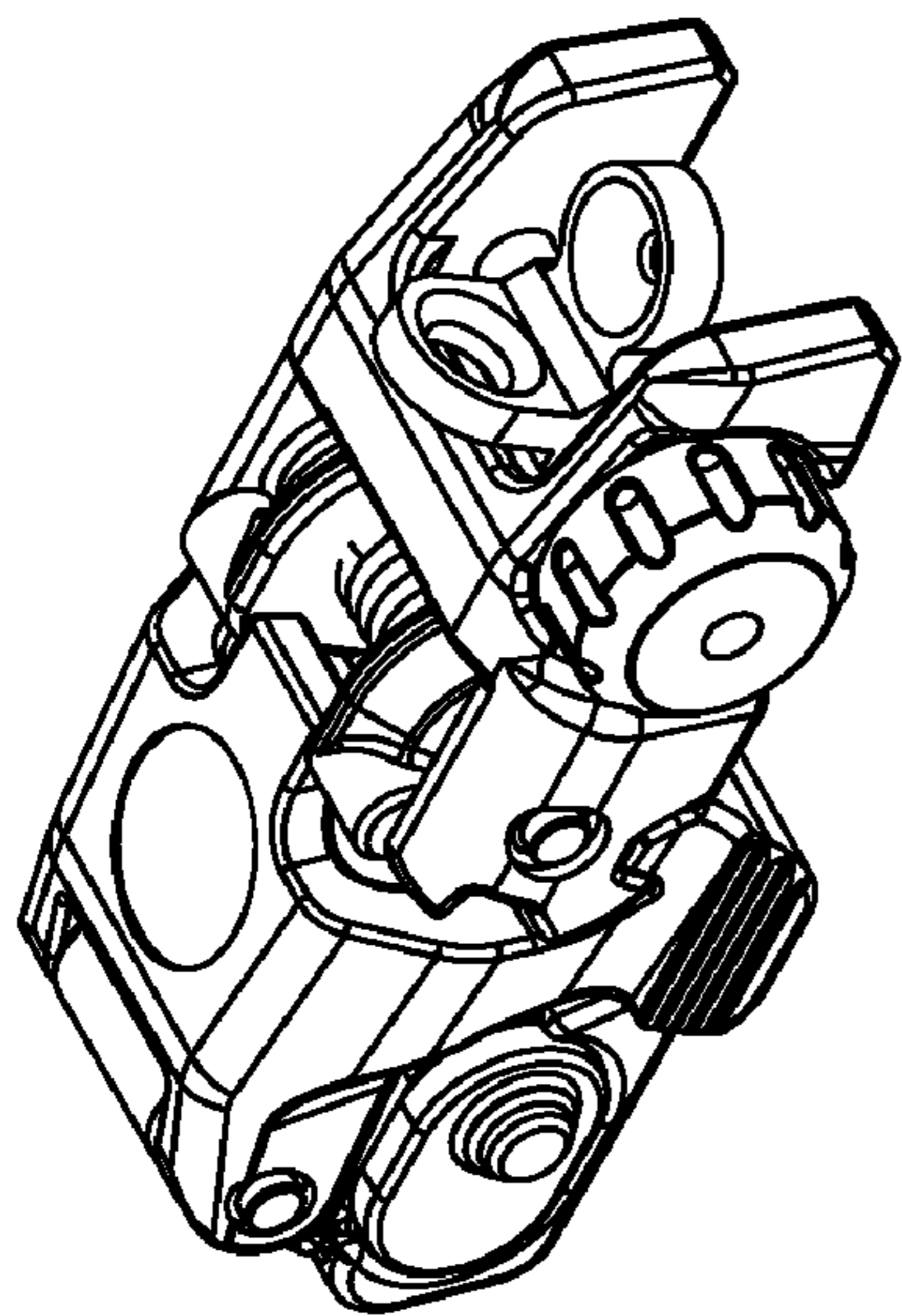


FIG. 14

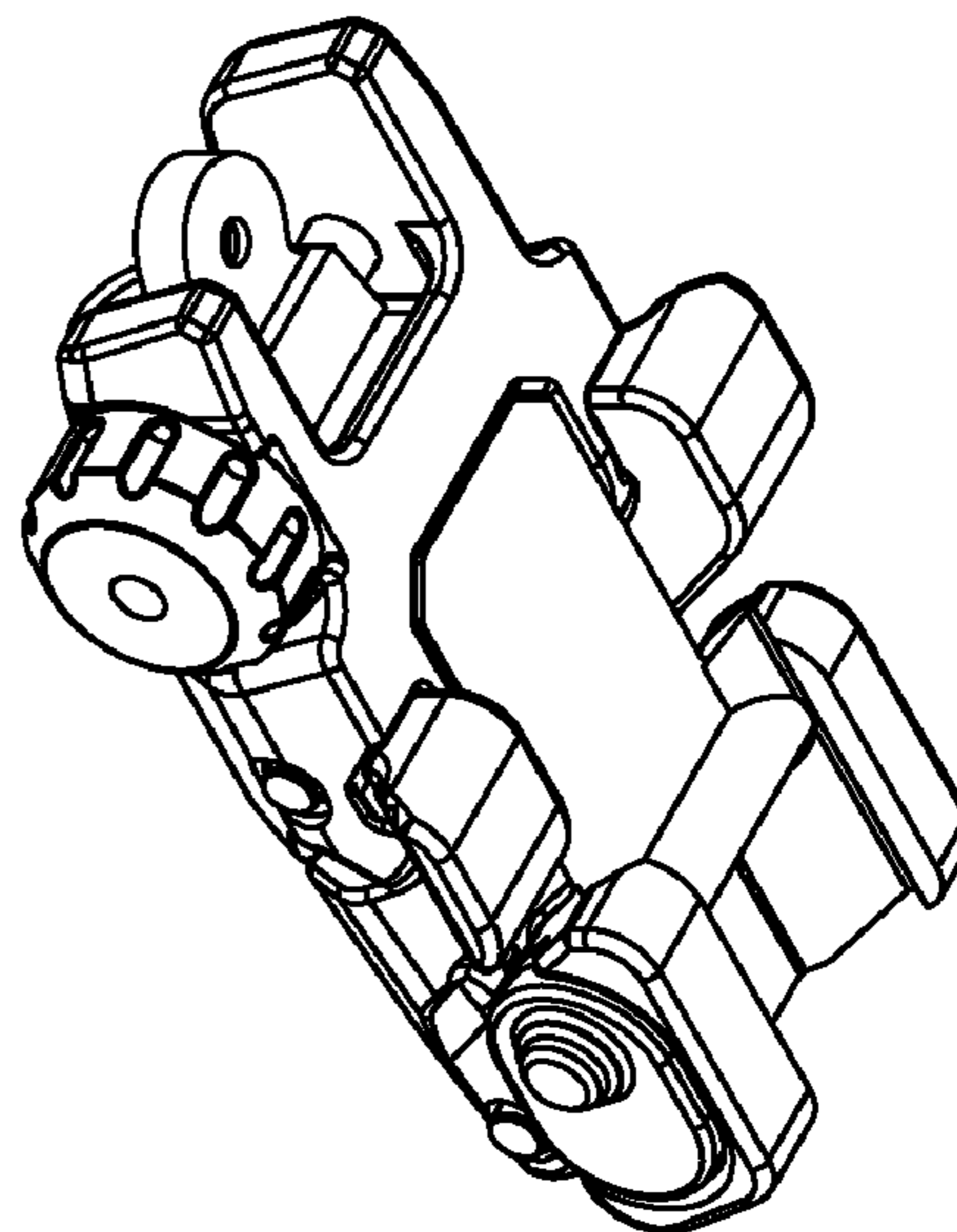


FIG. 13

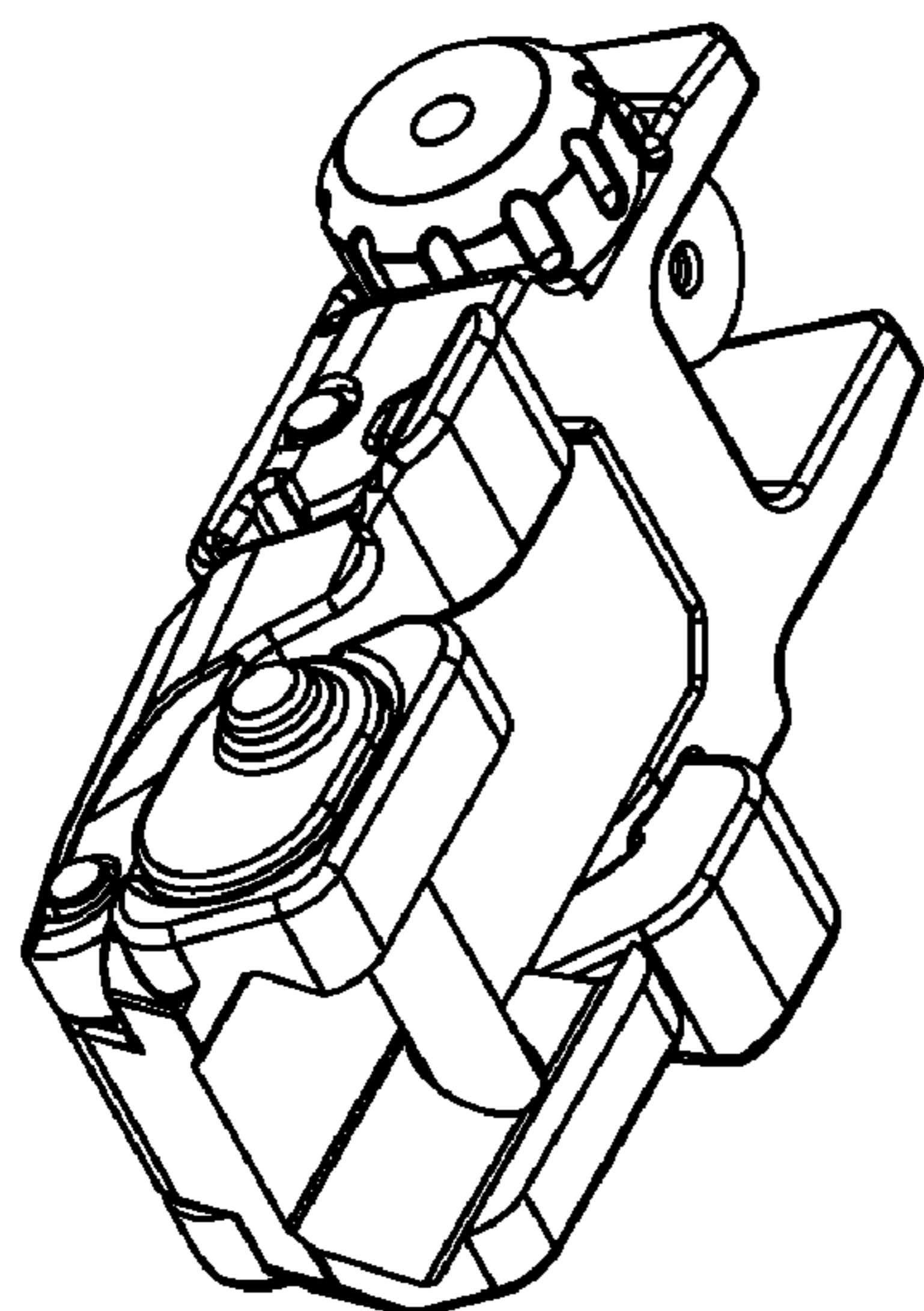


FIG. 12

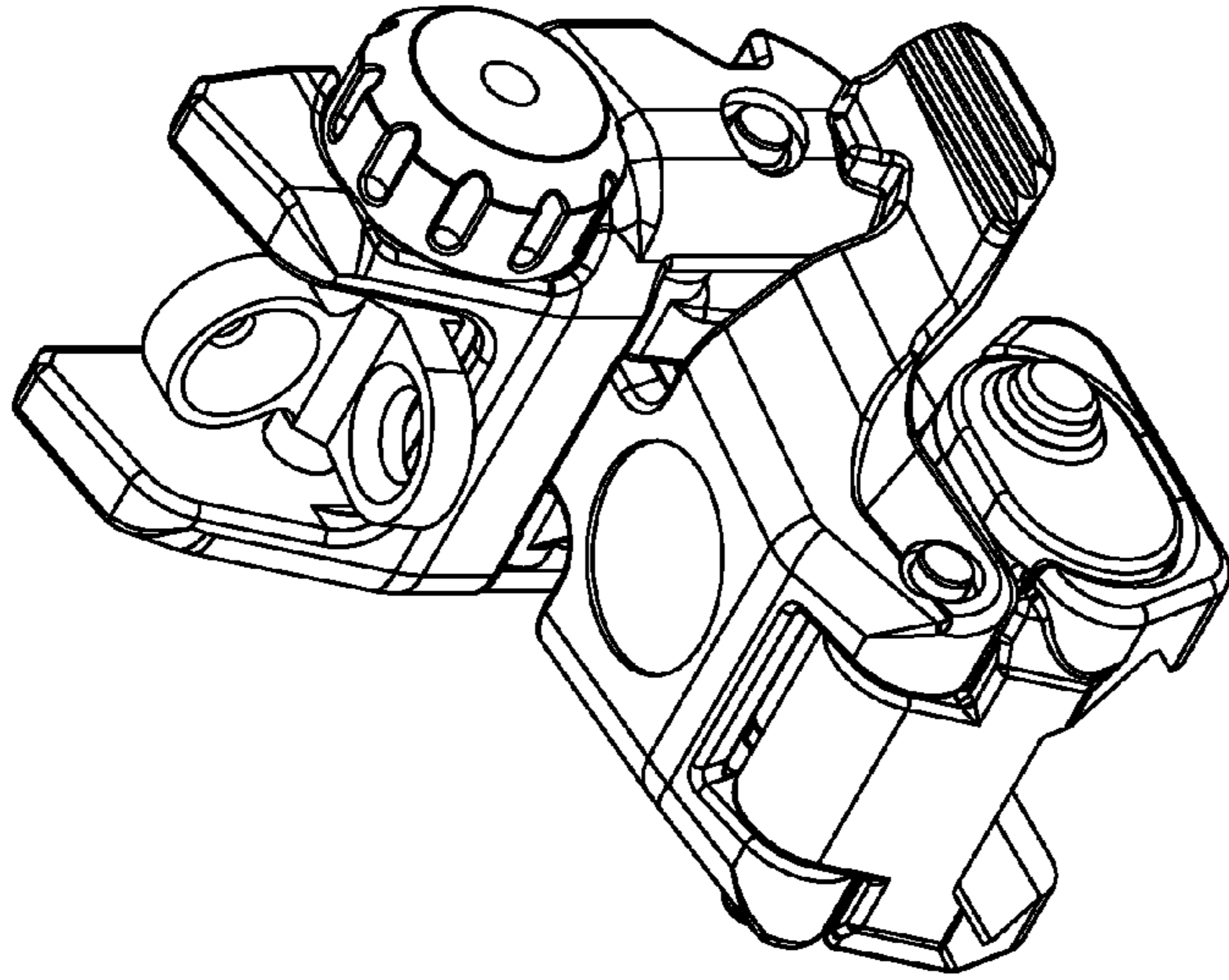


FIG. 16

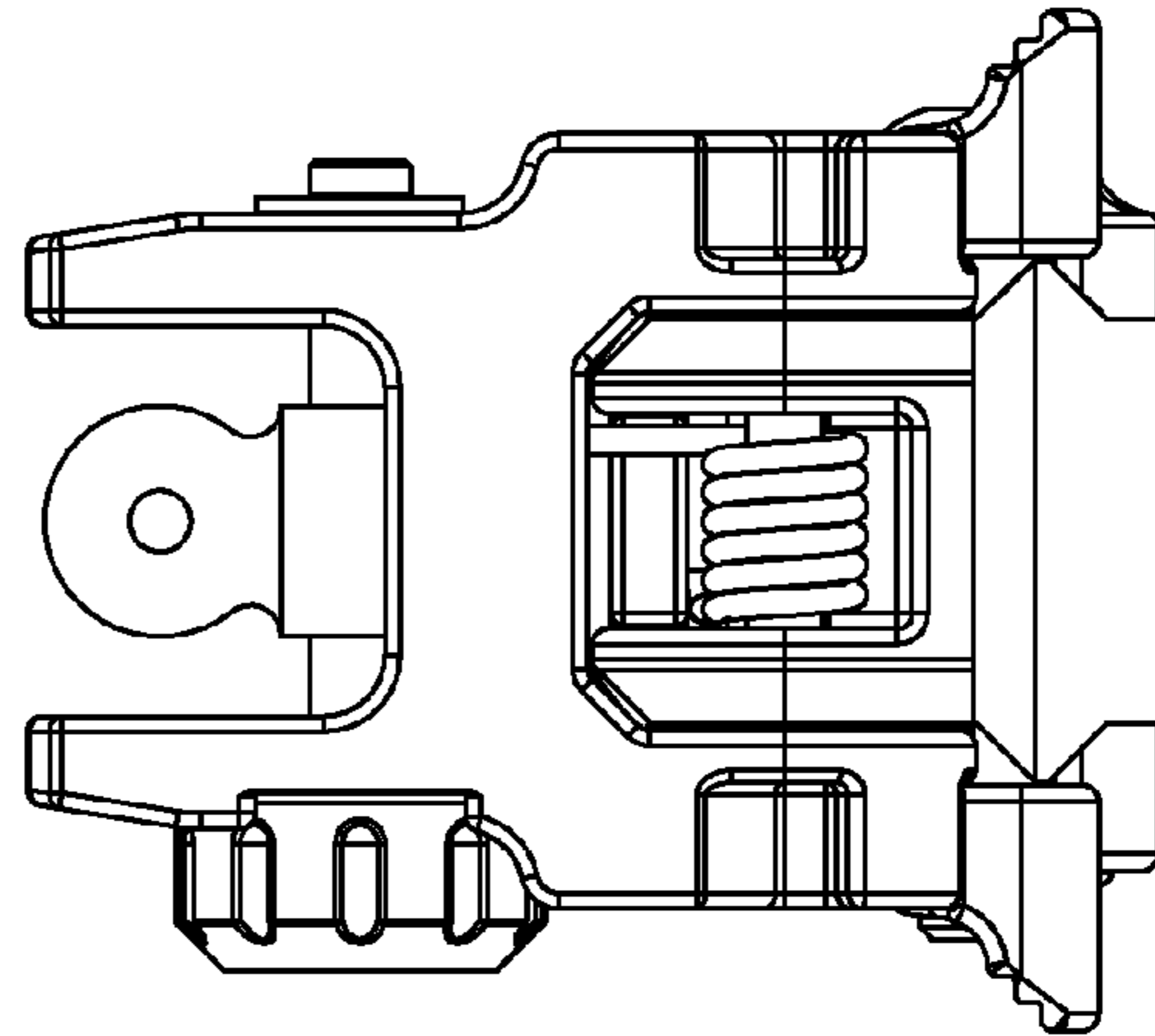


FIG. 17

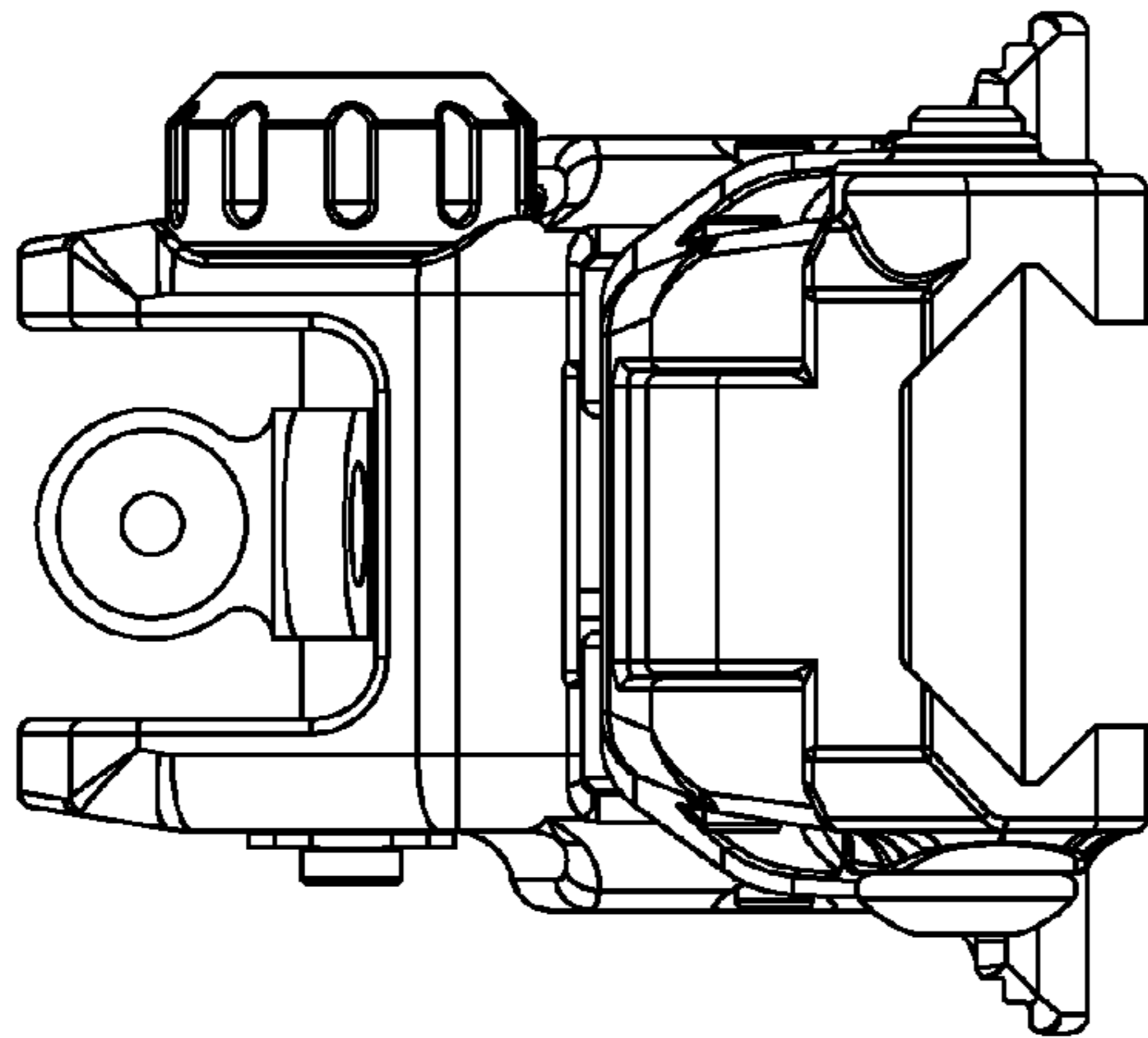


FIG. 15

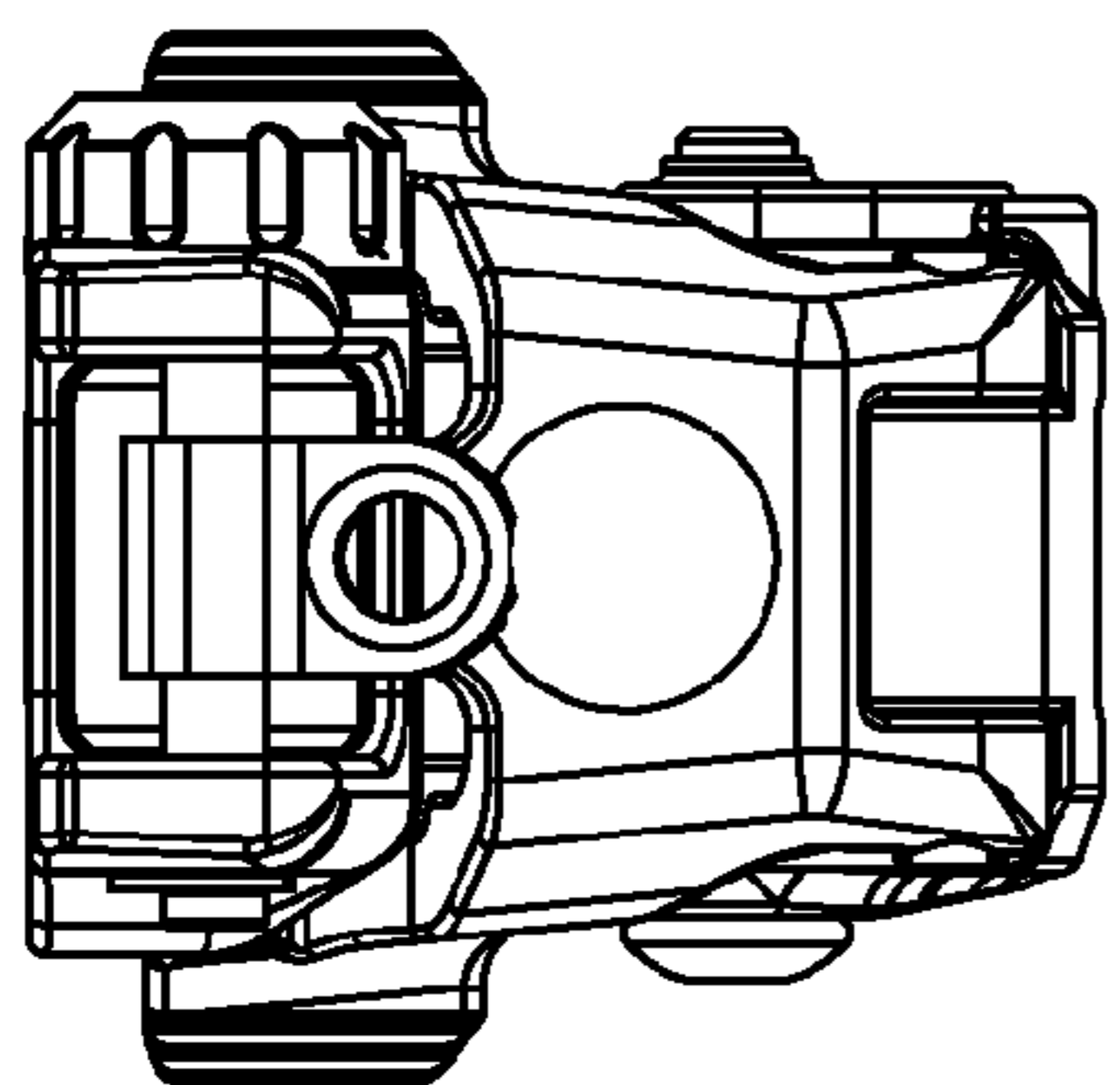


FIG. 20

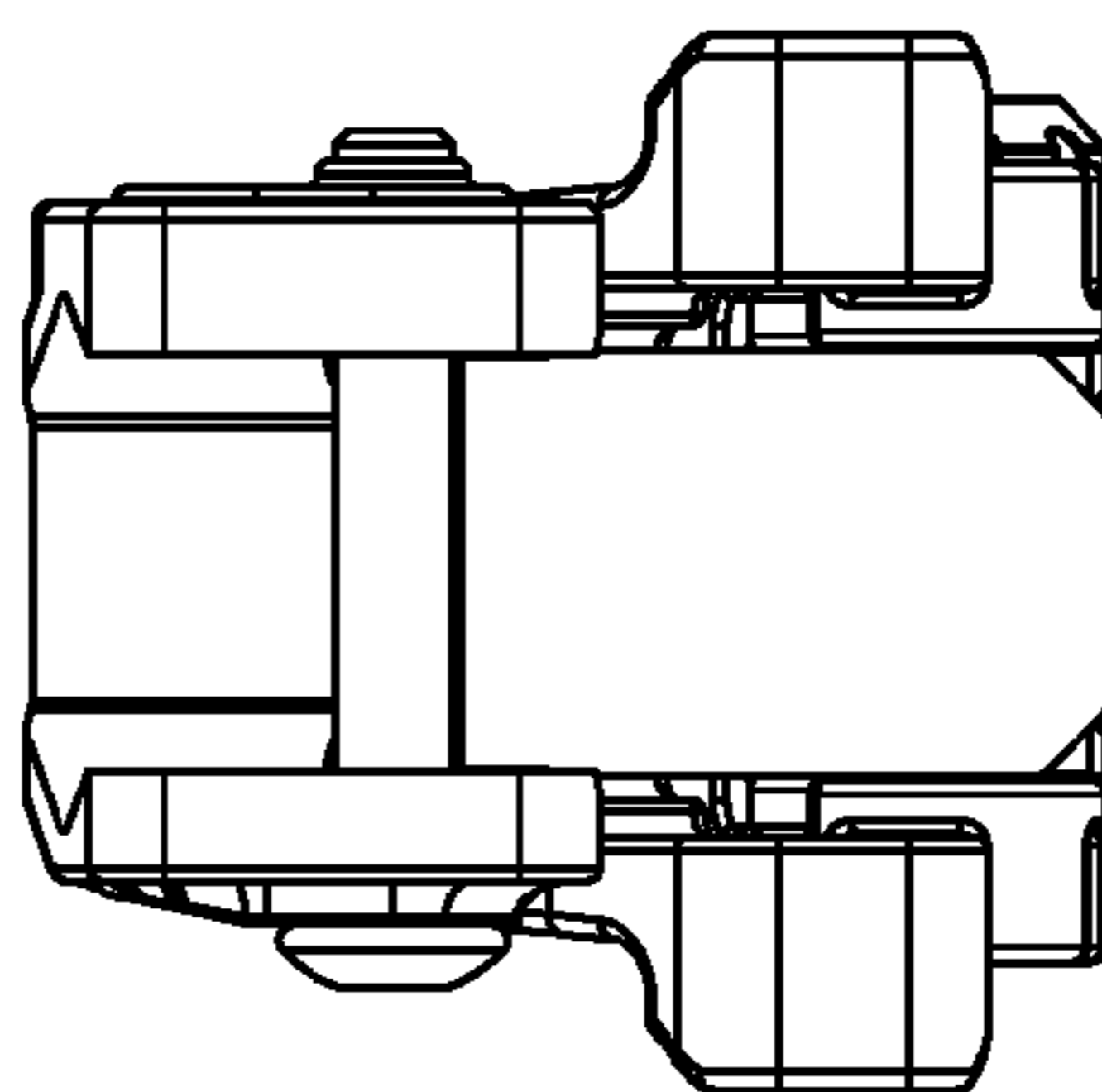


FIG. 21

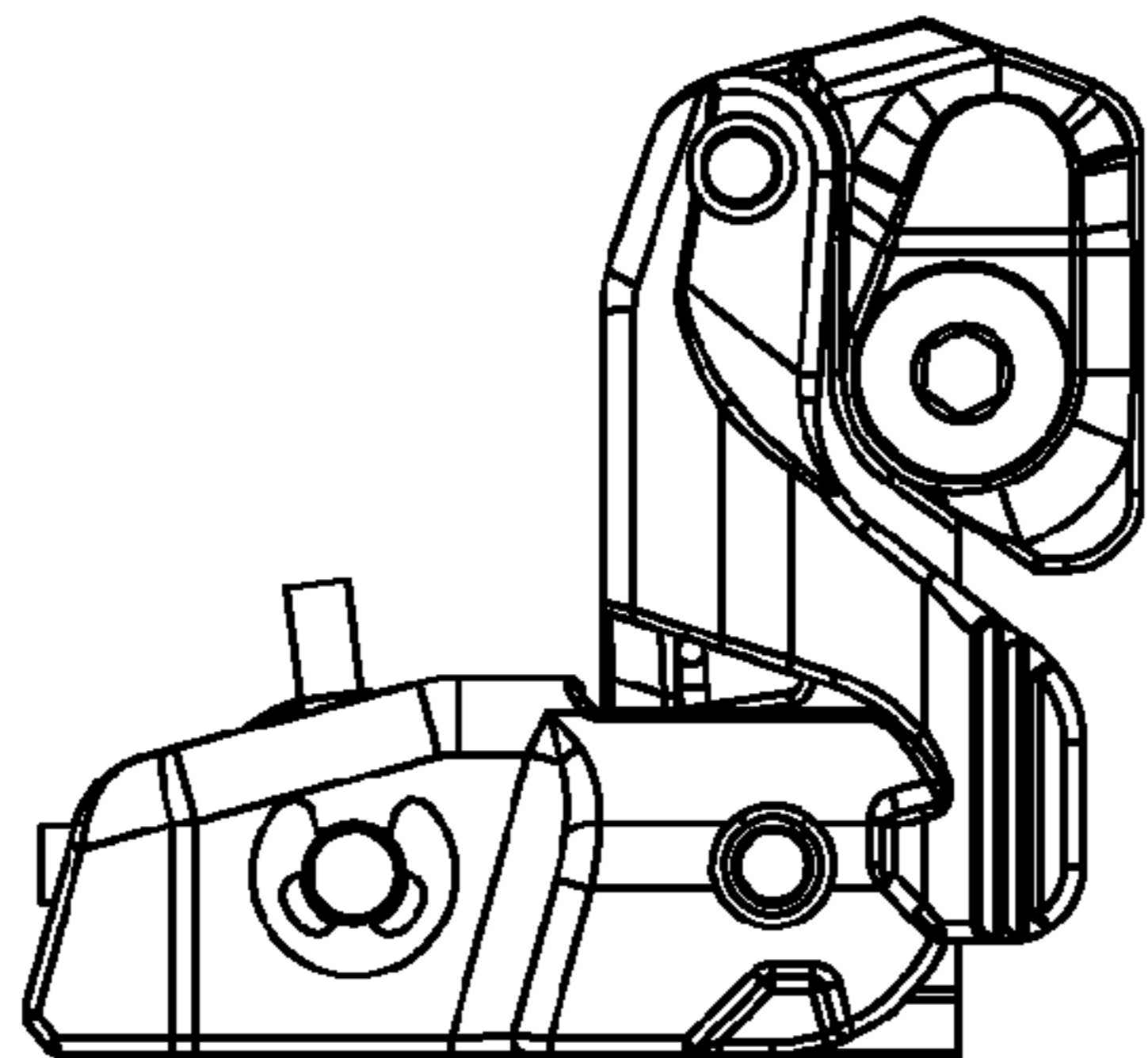


FIG. 18

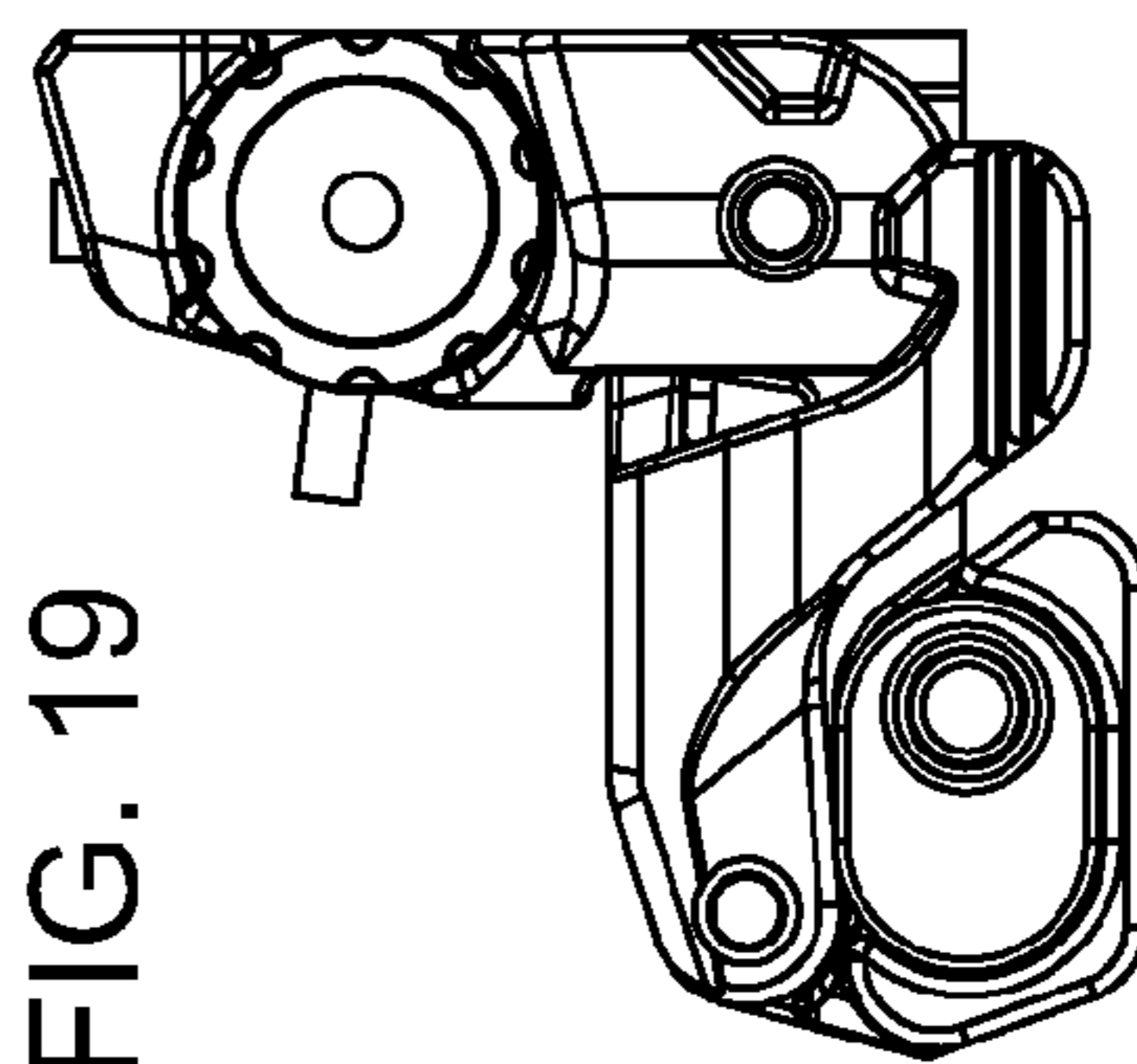


FIG. 19

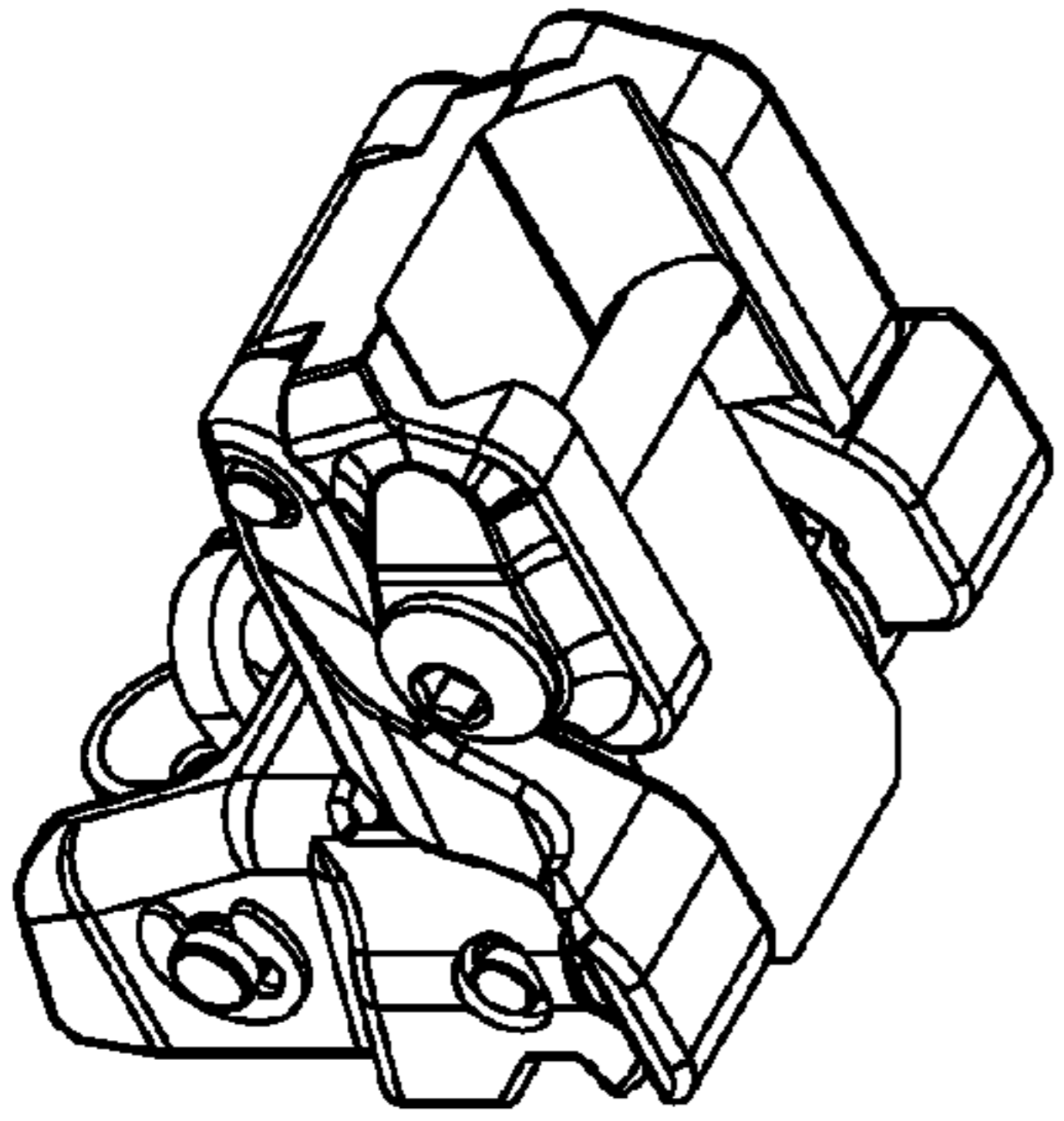


FIG. 24

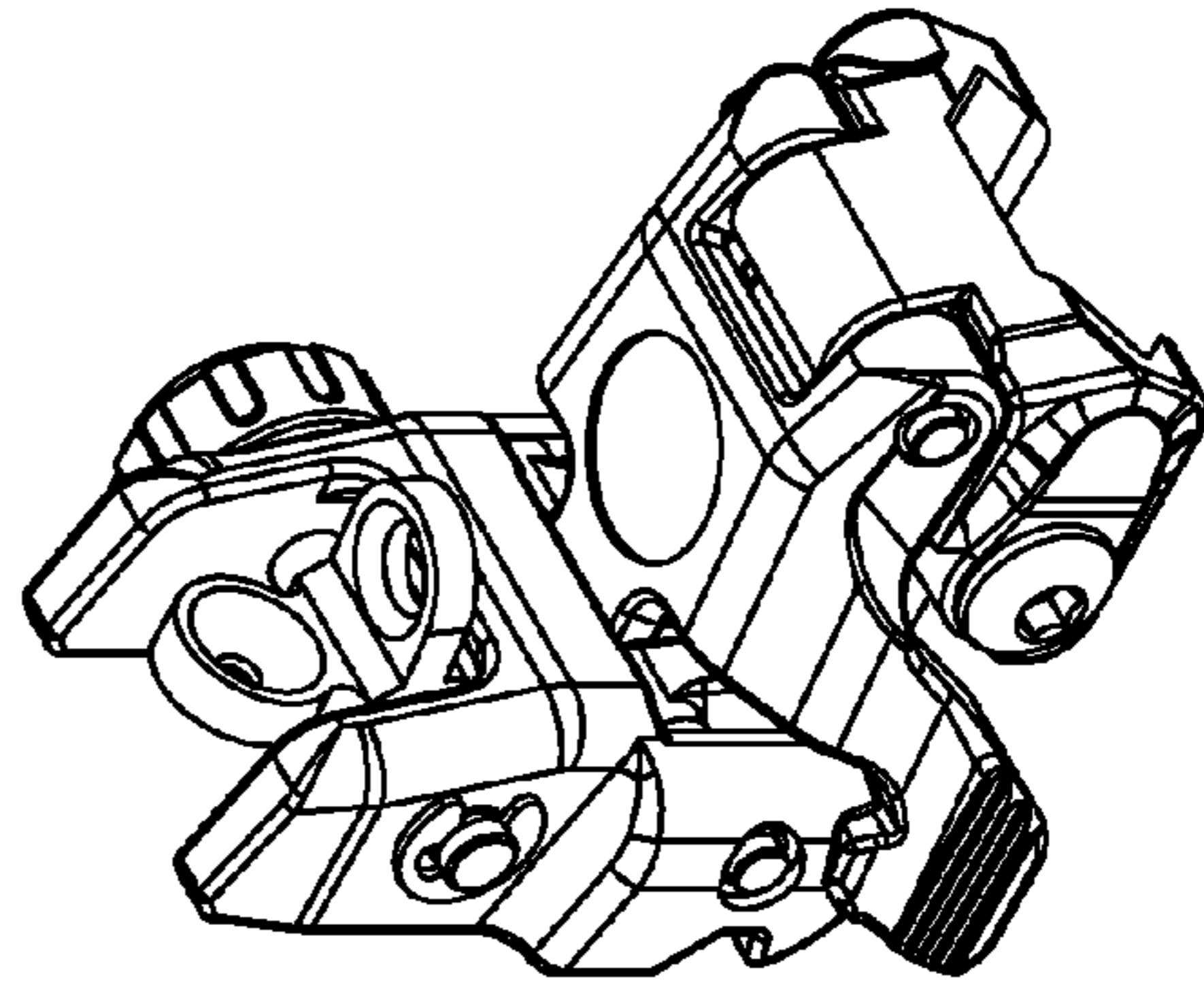


FIG. 25

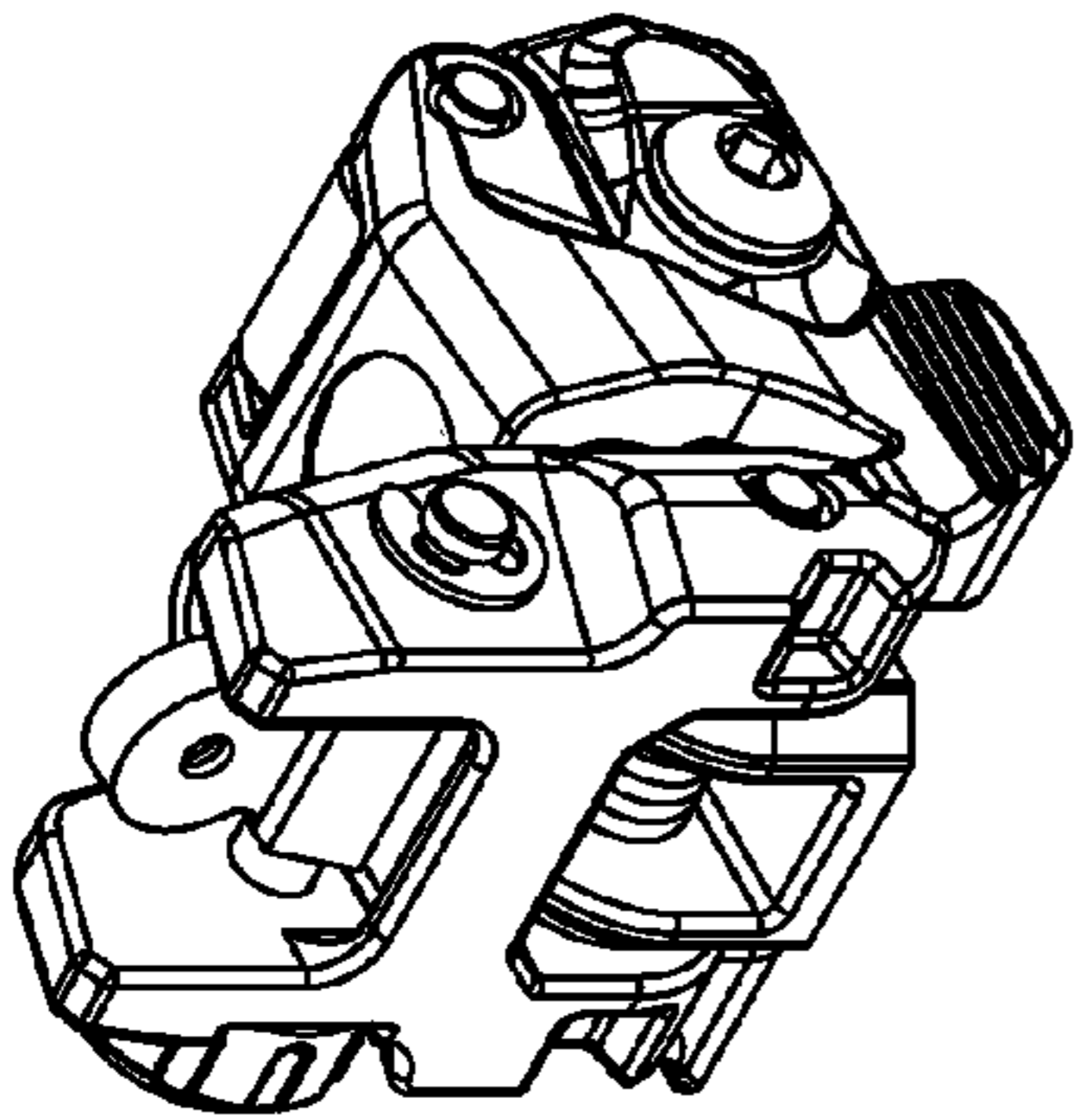


FIG. 22

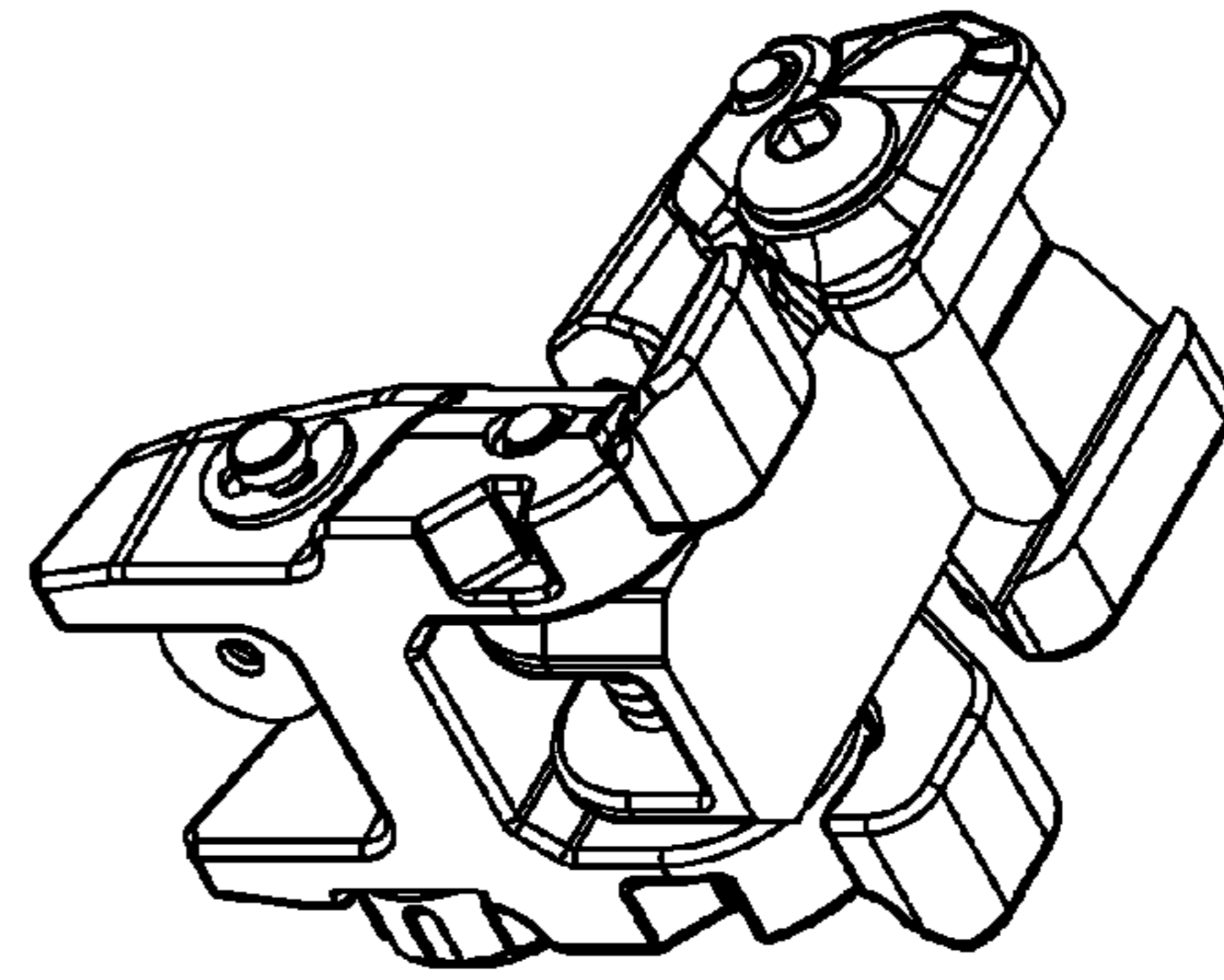


FIG. 23

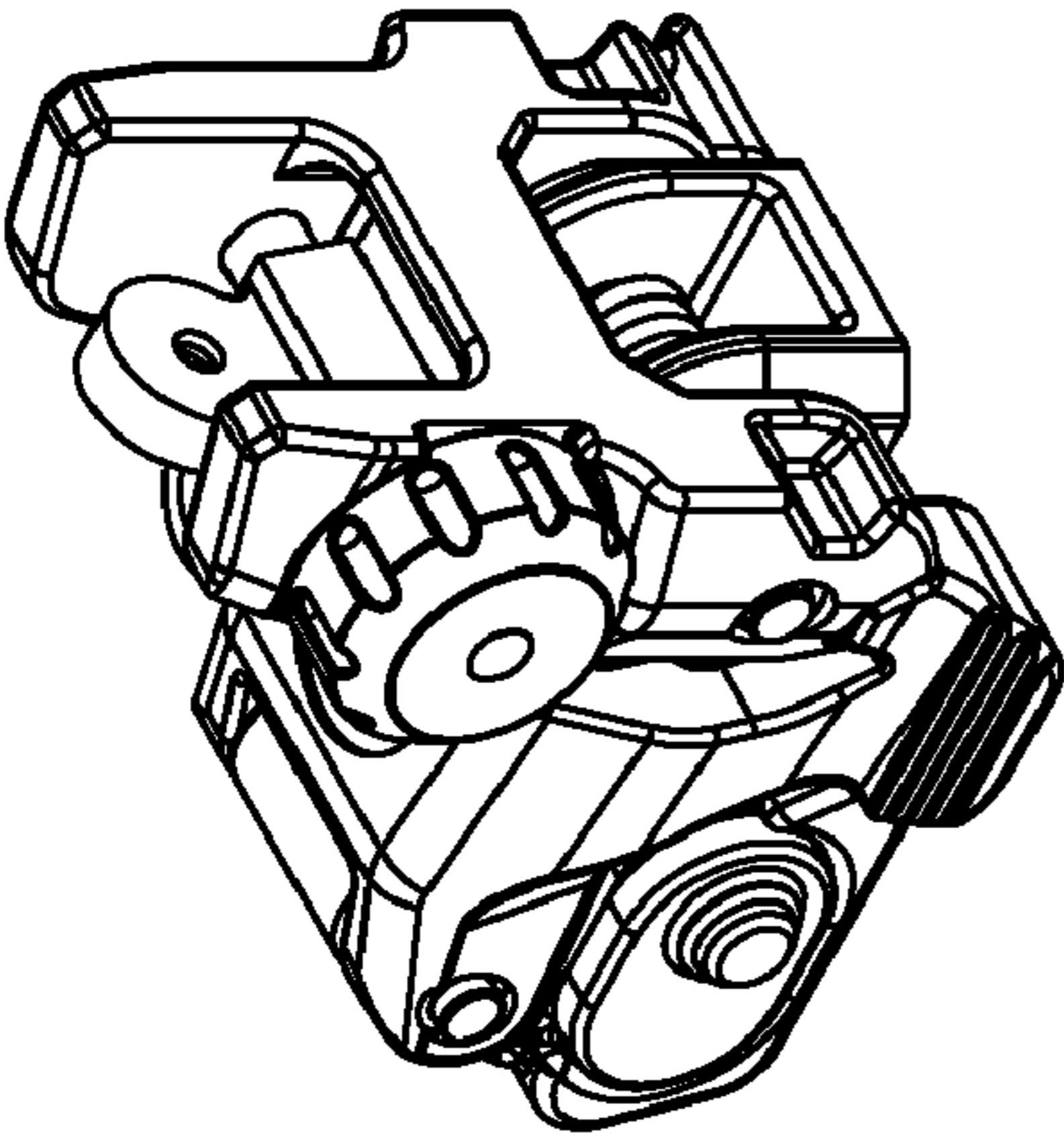


FIG. 28

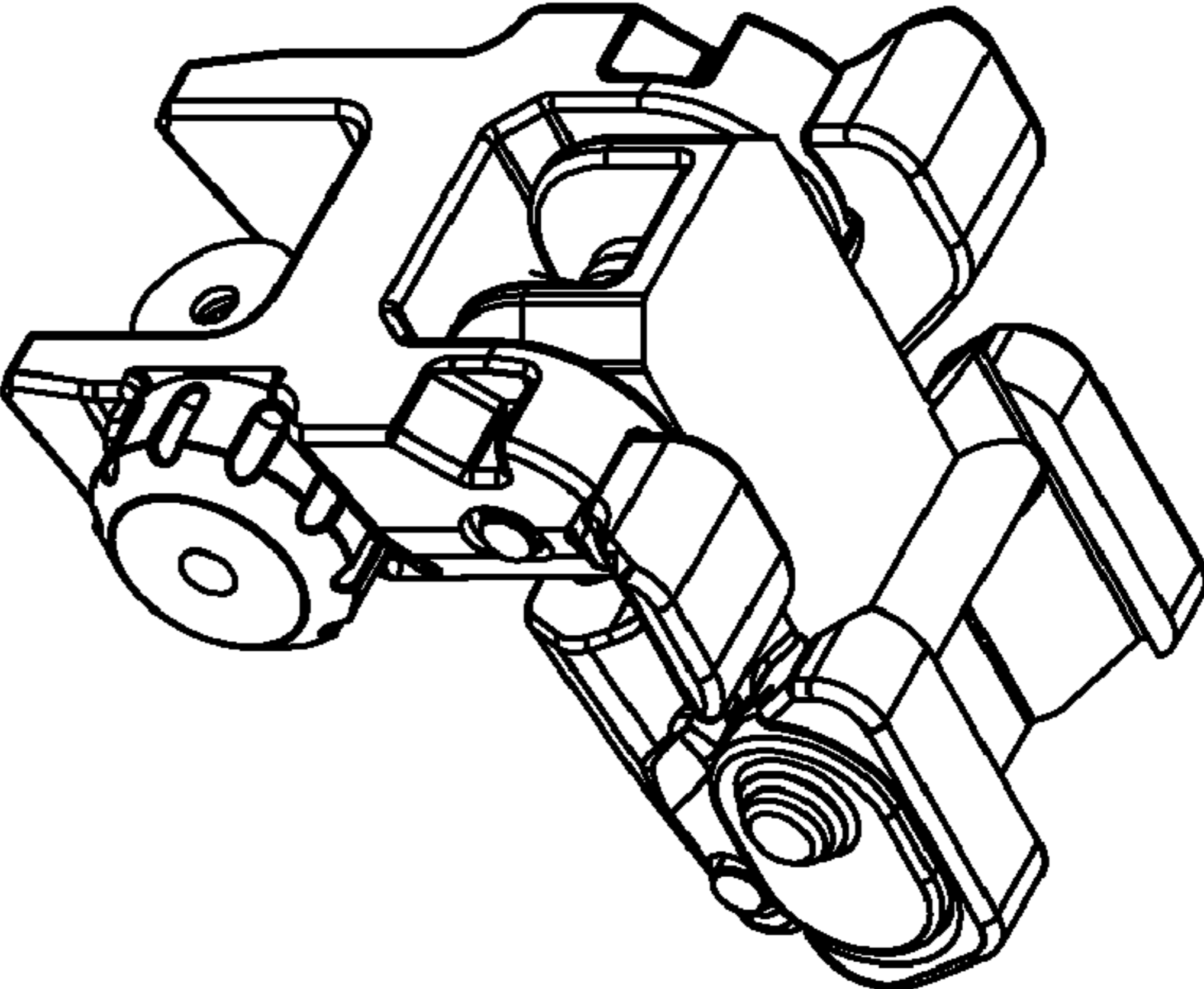


FIG. 27

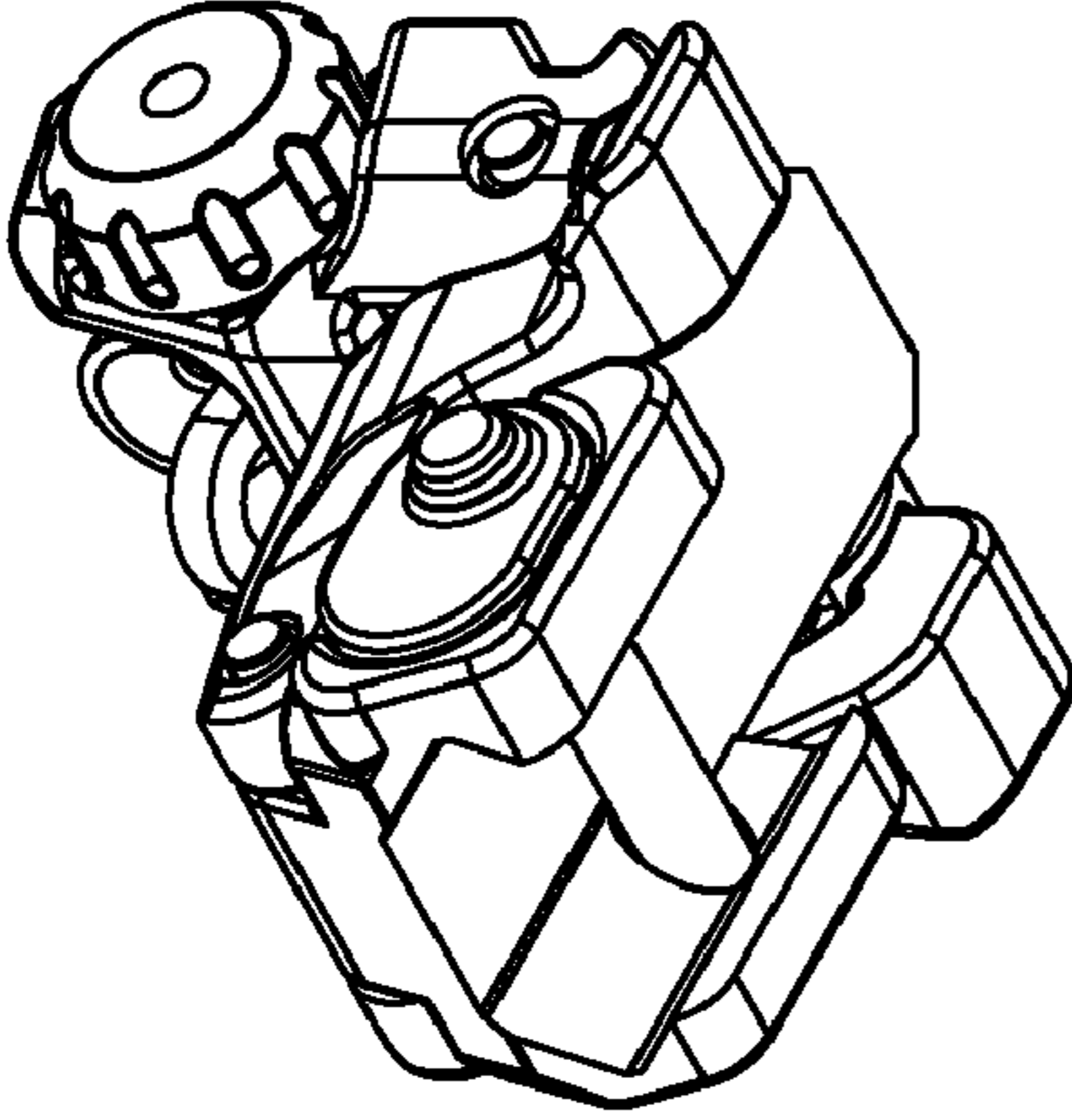


FIG. 26