



US00D594082S

(12) **United States Design Patent**
O'Quinn

(10) **Patent No.:** **US D594,082 S**

(45) **Date of Patent:** **** Jun. 9, 2009**

(54) **FIREARMS NOISE SUPPRESSOR**

(76) **Inventor:** **Carl L. O'Quinn**, 8167 Lowell Valley Dr., Bahama, NC (US) 27503

(**) **Term:** **14 Years**

(21) **Appl. No.:** **29/310,137**

(22) **Filed:** **Jul. 28, 2008**

(51) **LOC (9) Cl.** **22-01**

(52) **U.S. Cl.** **D22/108**

(58) **Field of Classification Search** D22/100, D22/101, 103, 104, 108, 199; D21/572, D21/573; 42/51, 71.01, 75.01, 75.02, 90, 42/94; 362/110; 33/241; 313/105 R; 89/40.06, 89/37.04, 33.04, 191.01; 124/66, 67, 74
See application file for complete search history.

(56) **References Cited**

U.S. PATENT DOCUMENTS

4,576,083	A *	3/1986	Seberger, Jr.	181/223
4,588,043	A *	5/1986	Finn	181/223
D415,812	S *	10/1999	Andrews et al.	D22/108
D415,813	S *	10/1999	O'Quinn et al.	D22/108
6,079,311	A *	6/2000	O'Quinn et al.	89/14.4
D435,623	S *	12/2000	Andrews et al.	D22/108
6,302,009	B1	10/2001	O'Quinn et al.	

* cited by examiner

Primary Examiner—T. Chase Nelson

Assistant Examiner—Michael A Pratt

(74) *Attorney, Agent, or Firm*—Jenkins, Wilson, Taylor & Hunt, P.A.

(57) **CLAIM**

The ornamental design for a firearms noise suppressor, as shown and described.

DESCRIPTION

FIG. 1 is a rear perspective view of the firearms noise suppressor showing the design;

FIG. 2 is a front perspective view of the firearms noise suppressor;

FIG. 3 is a front end view of the firearms noise suppressor;

FIG. 4 is a rear end view of the firearms noise suppressor;

FIG. 5 is a left side view of the firearms noise suppressor;

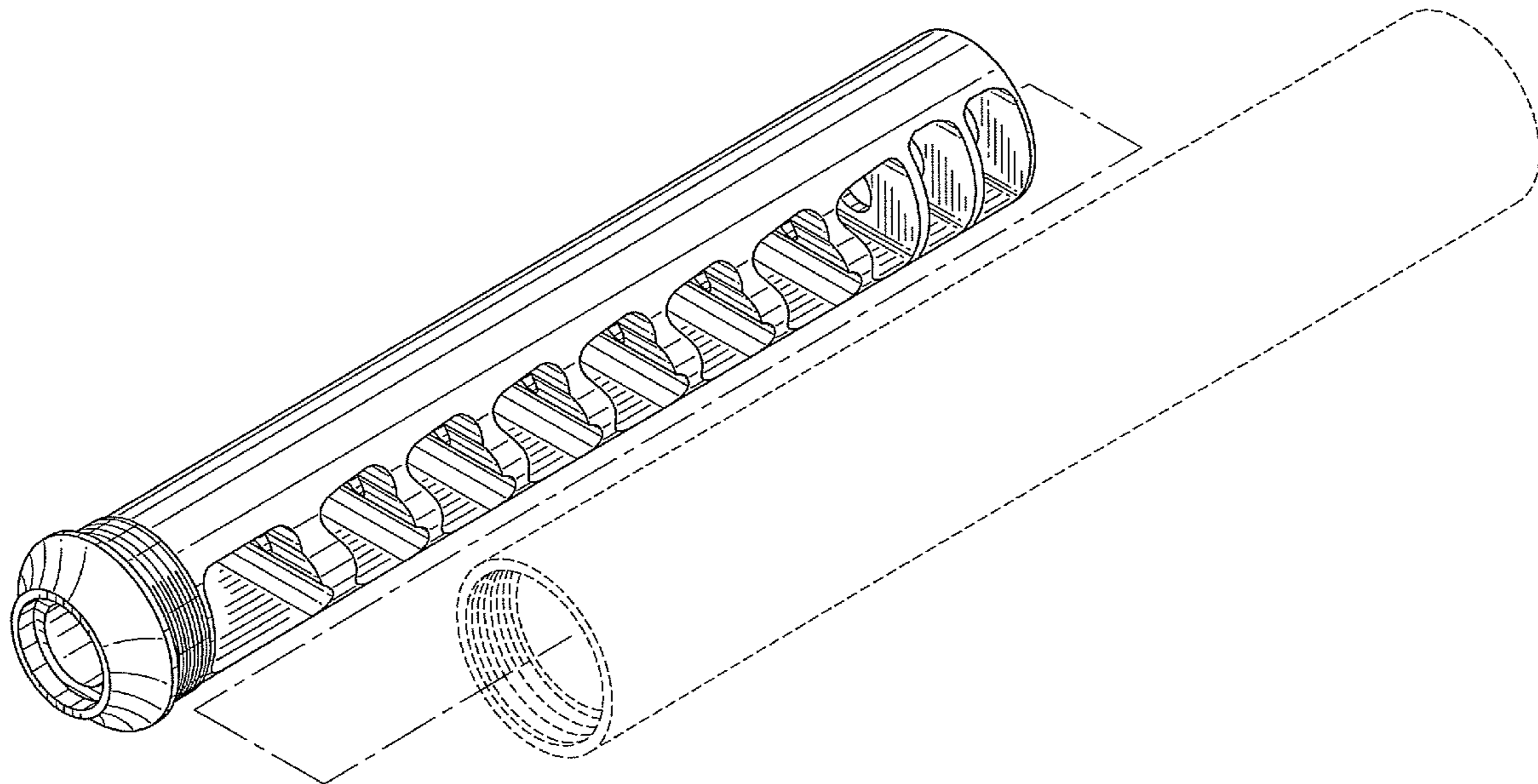
FIG. 6 is a right side view of the firearms noise suppressor;

FIG. 7 is a top plan view of the firearms noise suppressor; and,

FIG. 8 is a bottom plan view of the firearms noise suppressor.

The broken line showing of the outer housing sleeve of the firearms noise suppressor is included for the purpose of illustrating environment and forms no part of the claimed design.

1 Claim, 5 Drawing Sheets



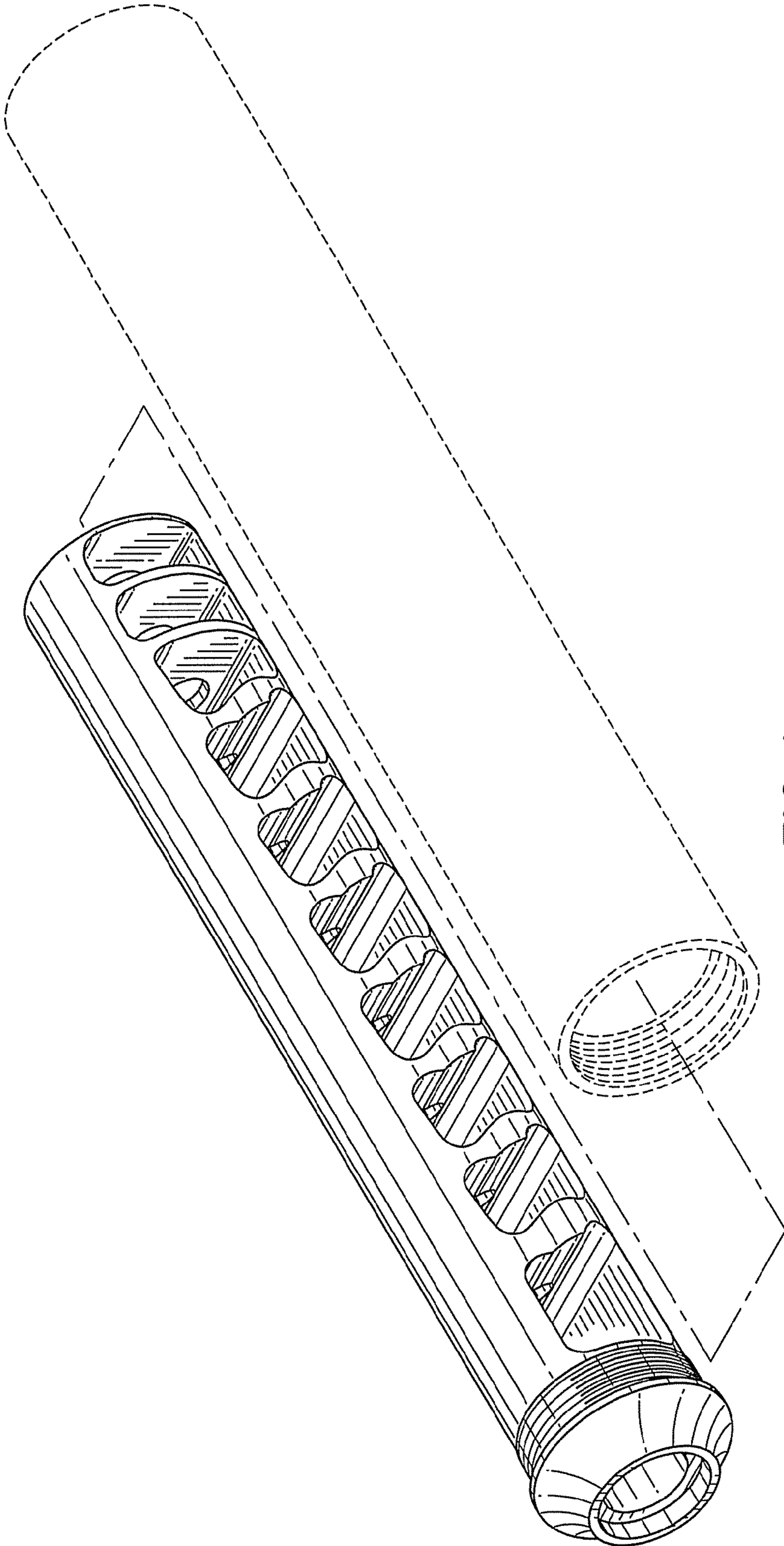


FIG.1

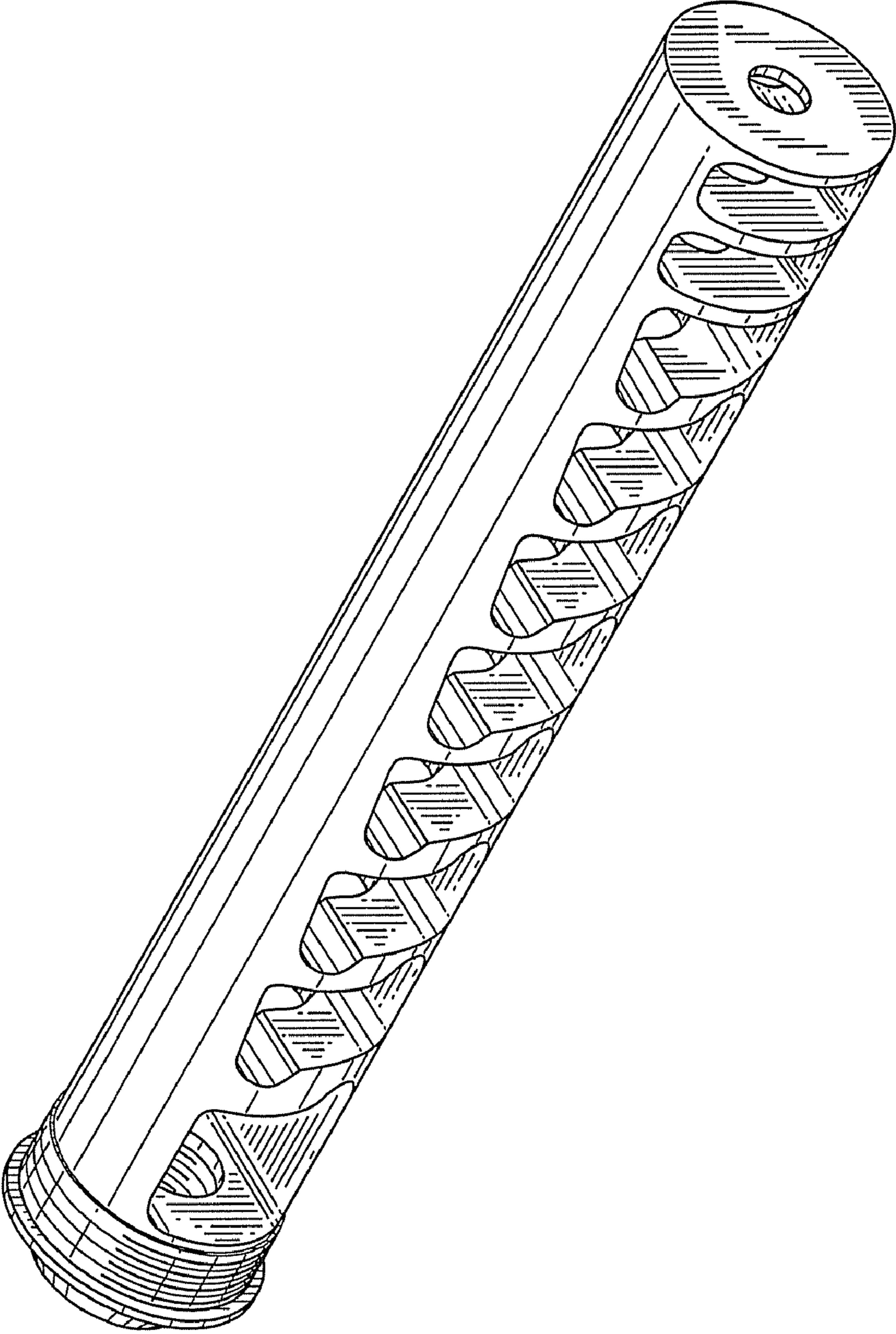


FIG. 2

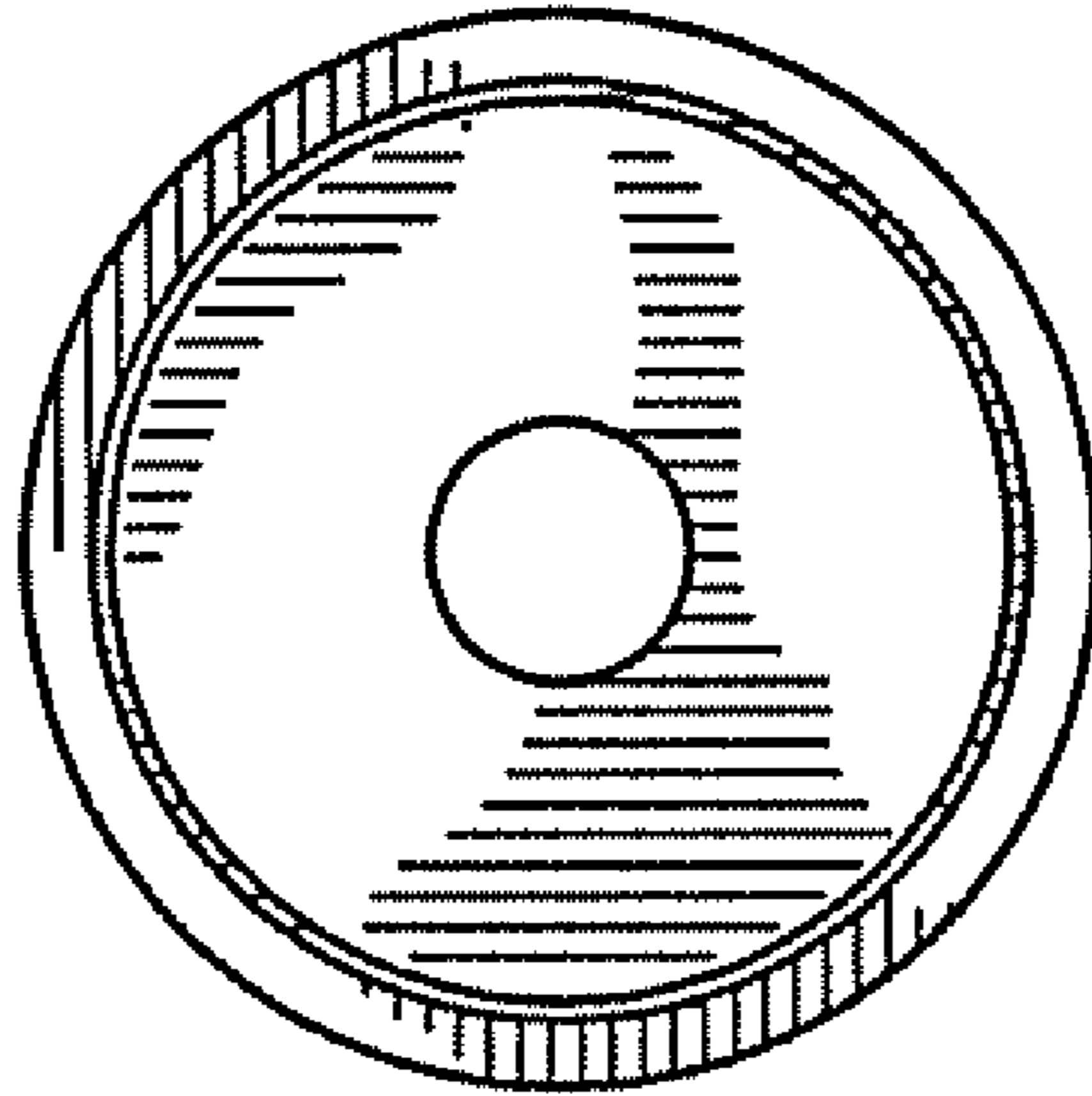


FIG. 3

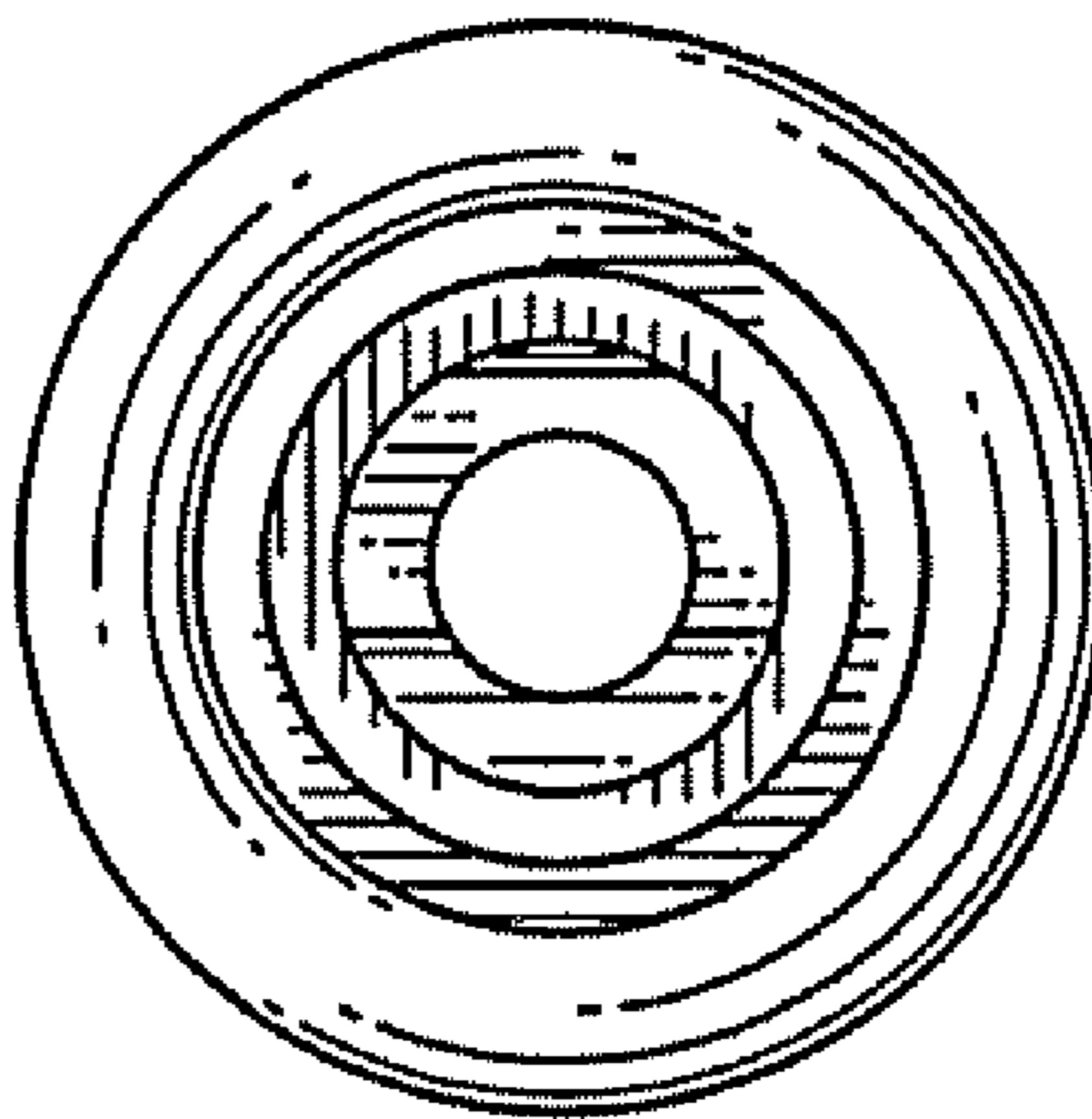


FIG. 4

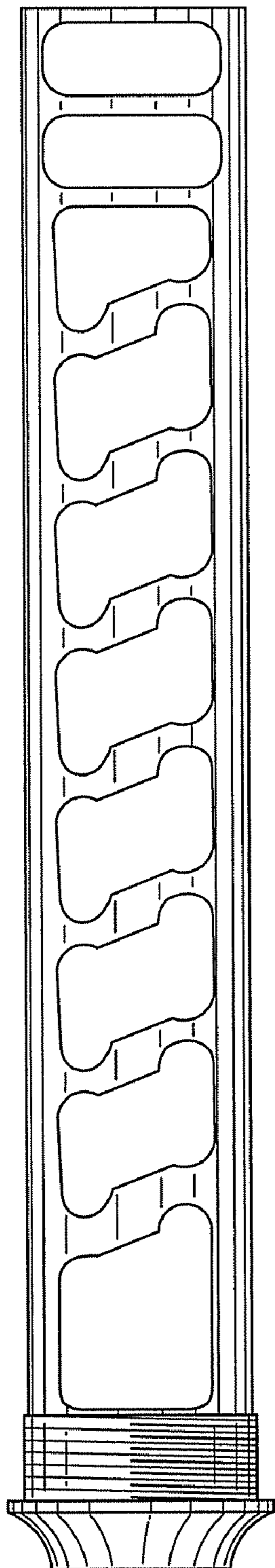


FIG. 5

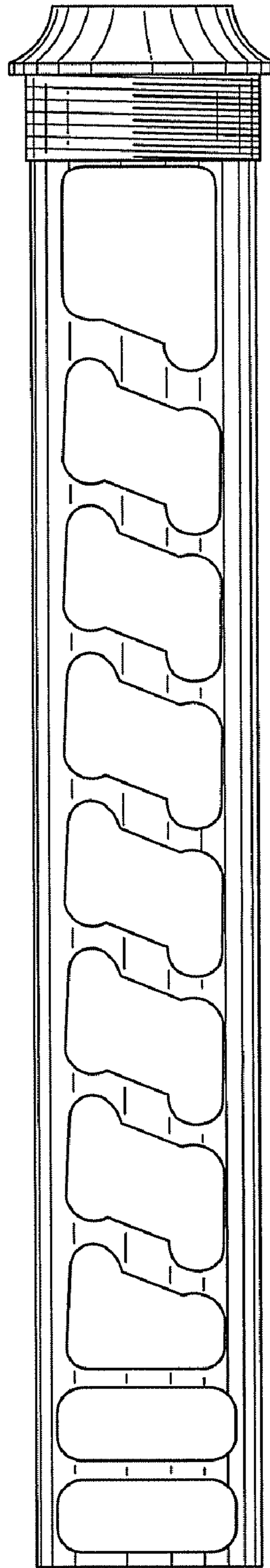


FIG. 6

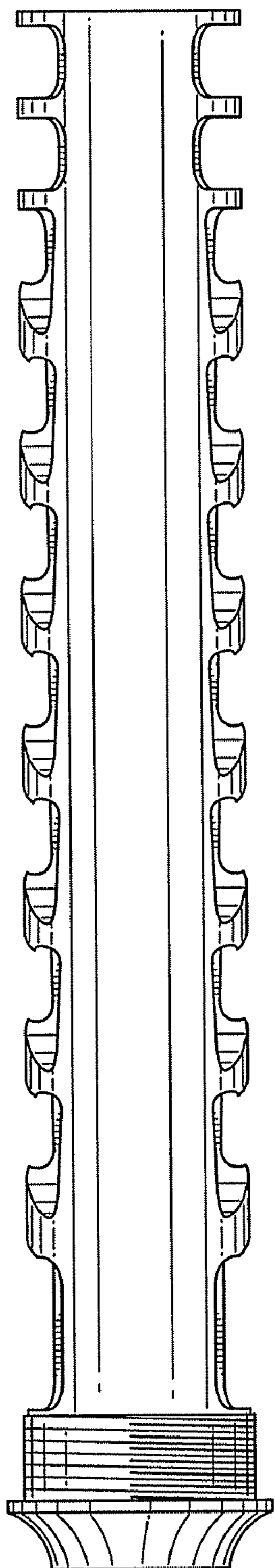


FIG. 7

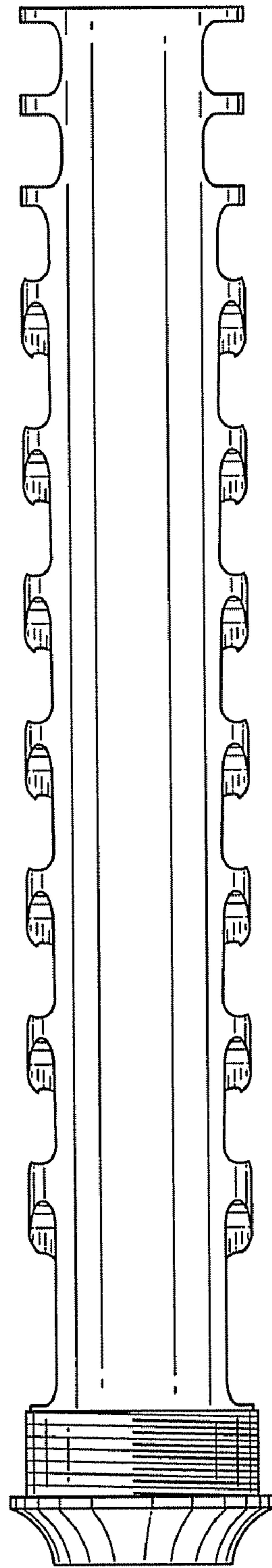


FIG. 8