



US00D594081S

(12) **United States Design Patent**
Grinshpan et al.

(10) **Patent No.:** **US D594,081 S**
(45) **Date of Patent:** **** Jun. 9, 2009**

- (54) **CROSS INTEGRATION CLIP FOR AMMUNITION MAGAZINES**
- (75) Inventors: **Menachem Grinshpan**, Hadera (IL);
Avi Zilbert, Ranana (IL); **Nissim Zusman**, Doar-Na Chof-Carwel (IL)
- (73) Assignee: **POLYCART Technologies Ltd.**, Shlomi (IL)
- (**) Term: **14 Years**
- (21) Appl. No.: **29/240,675**
- (22) Filed: **Oct. 18, 2005**
- (30) **Foreign Application Priority Data**
Aug. 9, 2005 (IL) 41195
- (51) **LOC (9) Cl.** **22-01**
- (52) **U.S. Cl.** **D22/108**
- (58) **Field of Classification Search** D22/108,
D22/199; 42/87, 88, 89, 90, 98, 106, 49.1,
42/49.2, 50; 89/46, 33.5, 33.1; 86/47, 46,
86/45; 206/3
See application file for complete search history.

- (56) **References Cited**
U.S. PATENT DOCUMENTS
3,623,256 A * 11/1971 Shiplee 42/50
4,484,404 A * 11/1984 Johnson 42/90
4,628,627 A * 12/1986 Johnson 42/90
5,279,059 A * 1/1994 Howard 42/90

- 5,676,241 A * 10/1997 Degoix et al. 206/3
 - 6,327,805 B1 * 12/2001 Clifton, Jr. 42/90
 - 6,393,960 B1 * 5/2002 Bilger 89/33.1
 - 6,634,131 B1 * 10/2003 Fitzpatrick 42/90
 - 2005/0115136 A1 * 6/2005 Obong 42/87
 - 2006/0242877 A1 * 11/2006 Clifton et al. 42/49.01
- * cited by examiner

Primary Examiner—T. Chase Nelson
Assistant Examiner—David G Muller
(74) *Attorney, Agent, or Firm*—Mark M. Friedman

(57) **CLAIM**

The ornamental design for cross integration clip for ammunition magazines, as shown and described.

DESCRIPTION

FIG. 1 is a front elevation view of the cross integration clip for ammunition magazines, the back elevation view being identical.

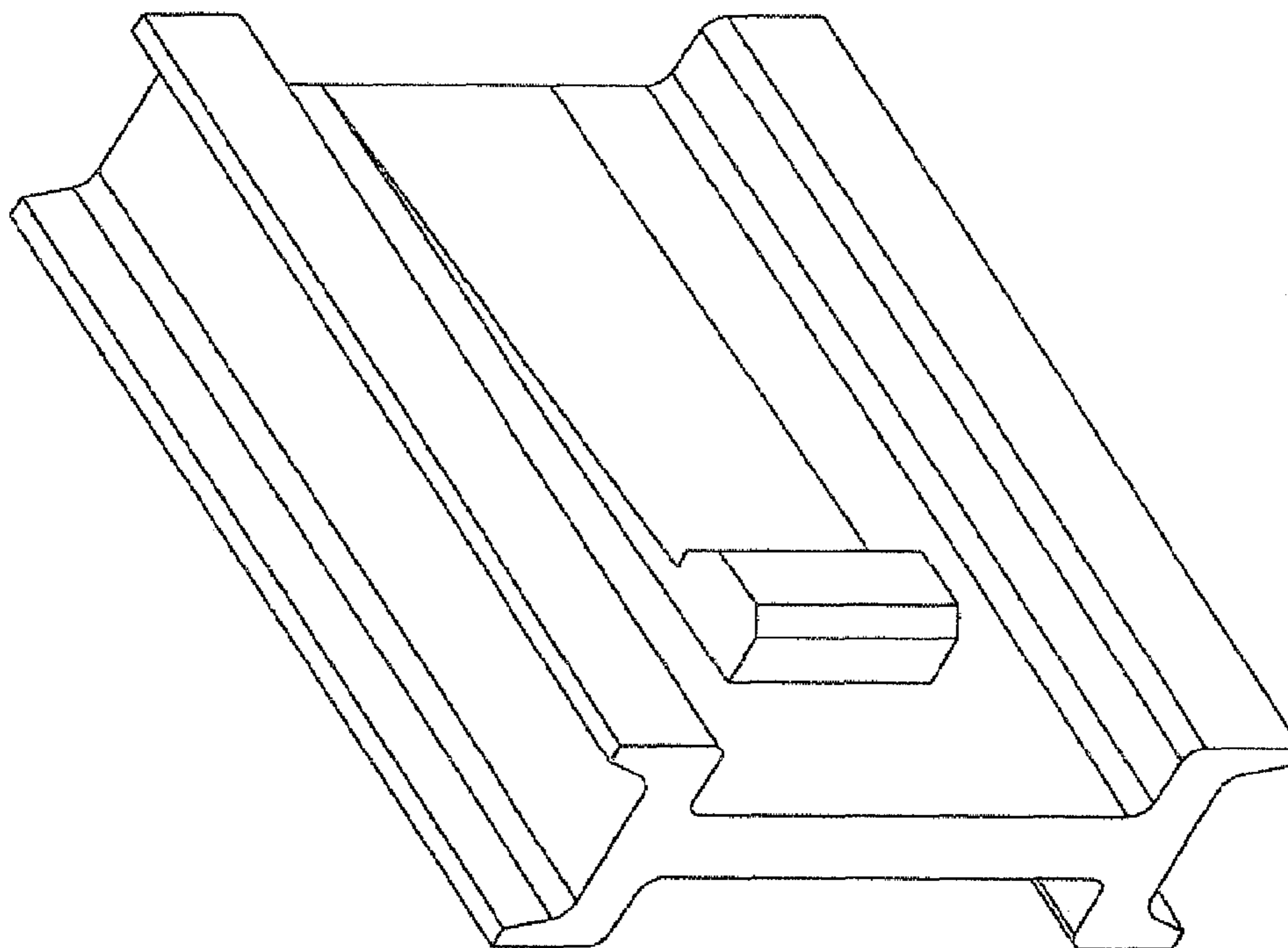
FIG. 2 is a right side elevation view of the cross integration clip for ammunition magazines, the left side elevation view being identical.

FIG. 3 is a bottom plan view of the cross integration clip for ammunition magazines.

FIG. 4 is a top plan view of the cross integration clip for ammunition magazines; and,

FIG. 5 is a front isometric view of the cross integration clip for ammunition magazines, the back isometric view being identical.

1 Claim, 5 Drawing Sheets



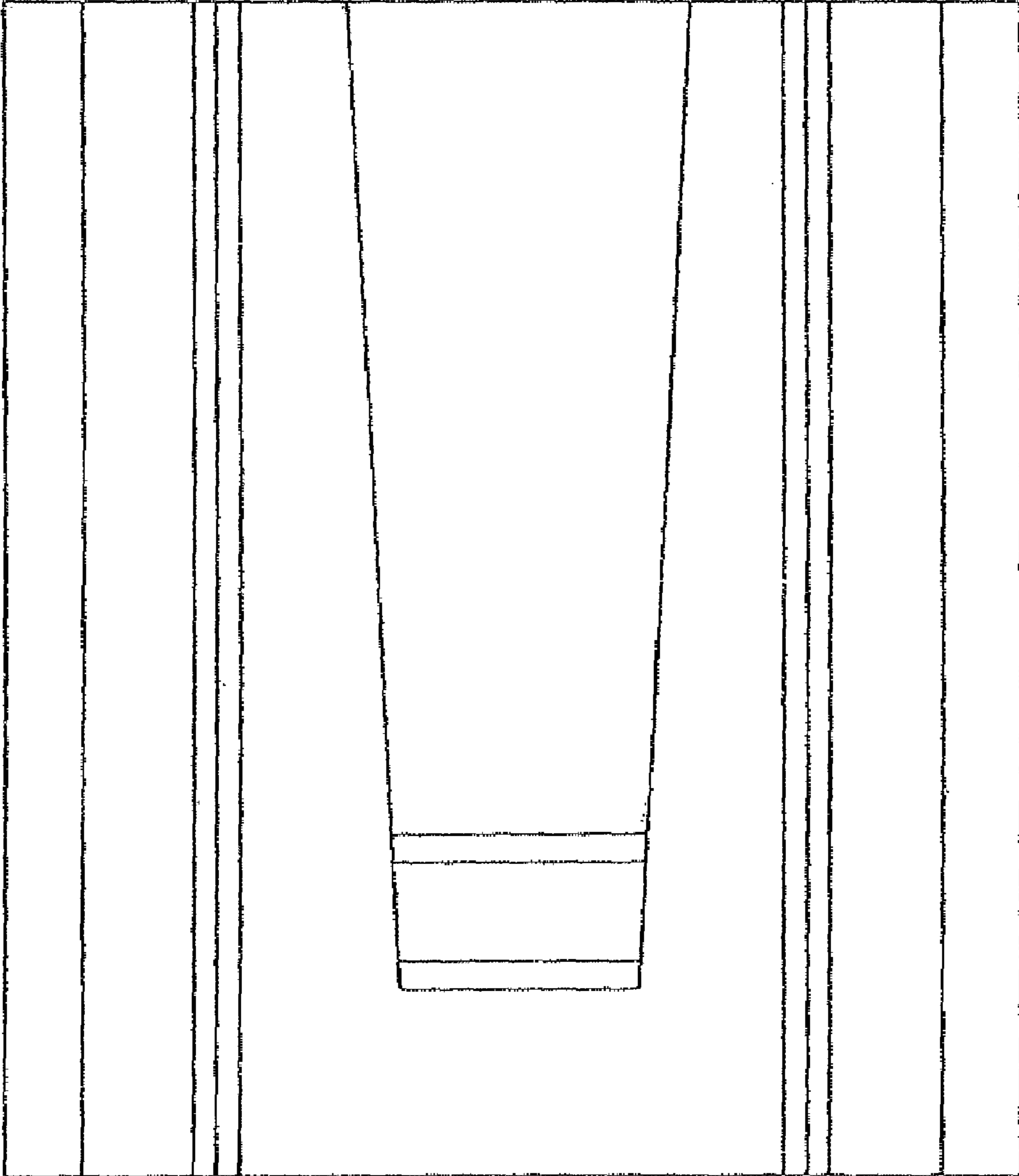


FIGURE 1

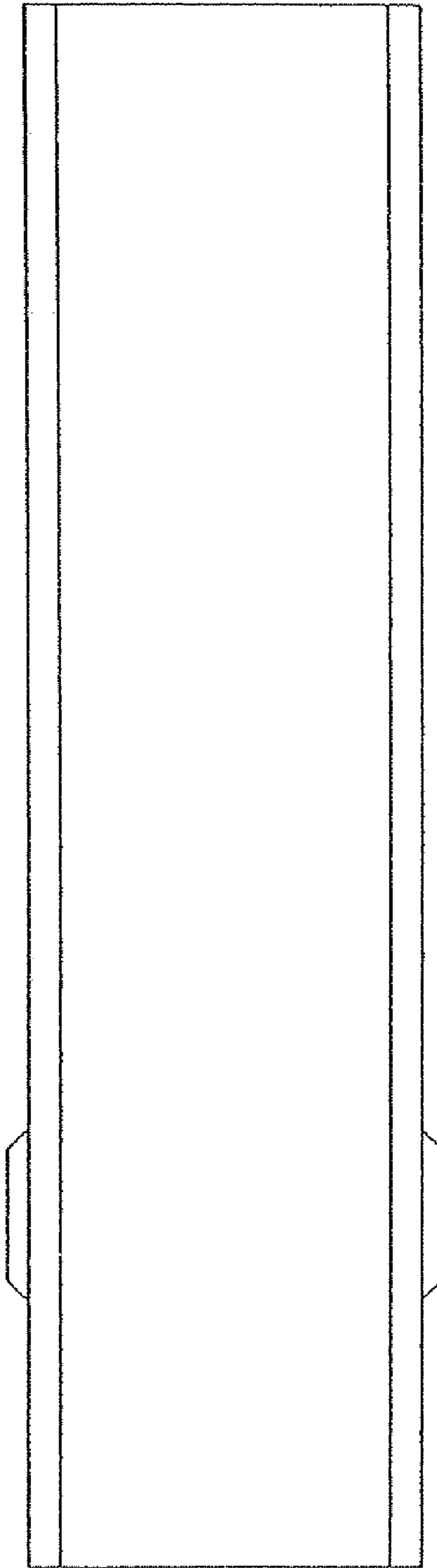


FIGURE 2

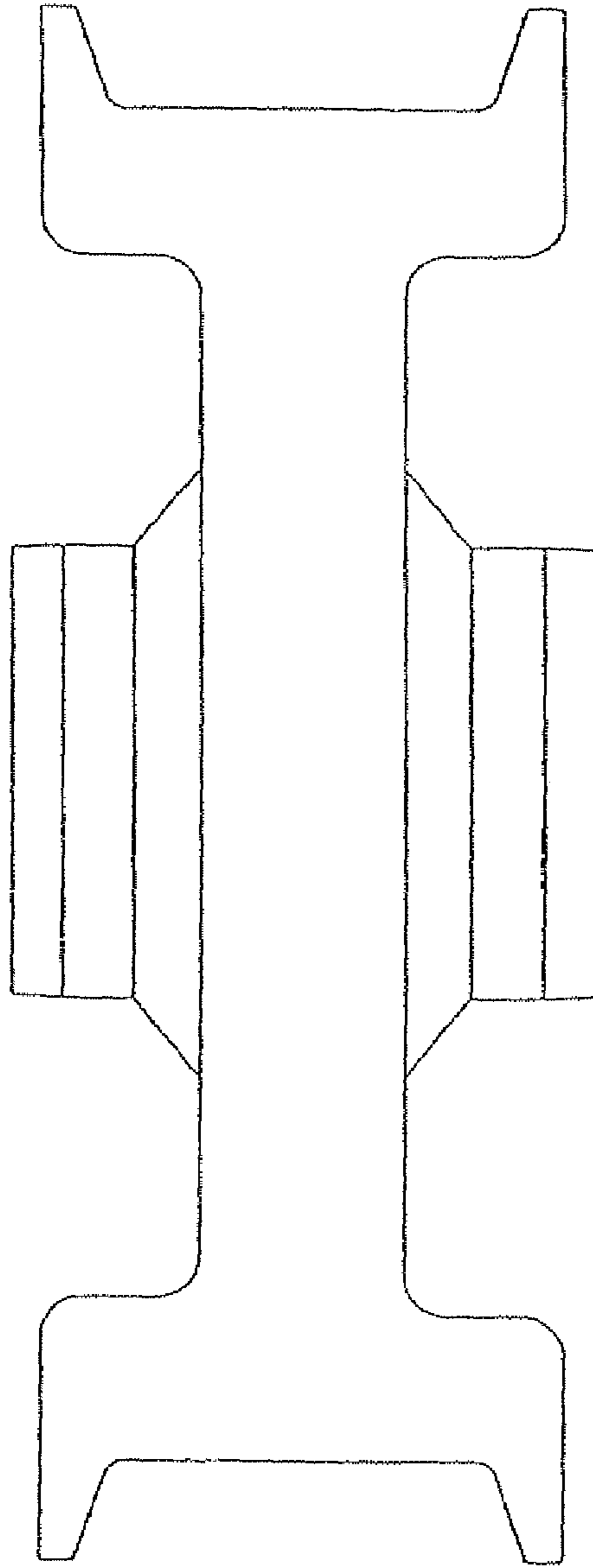


FIGURE 3

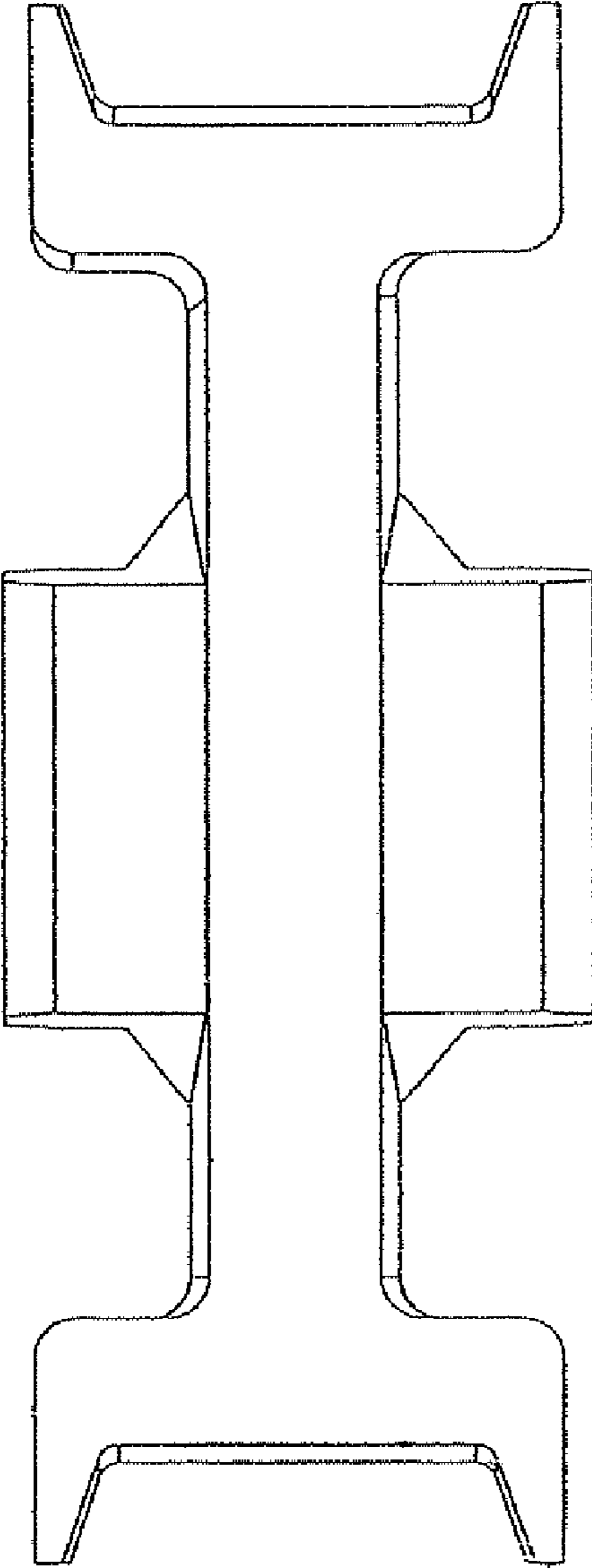


FIGURE 4

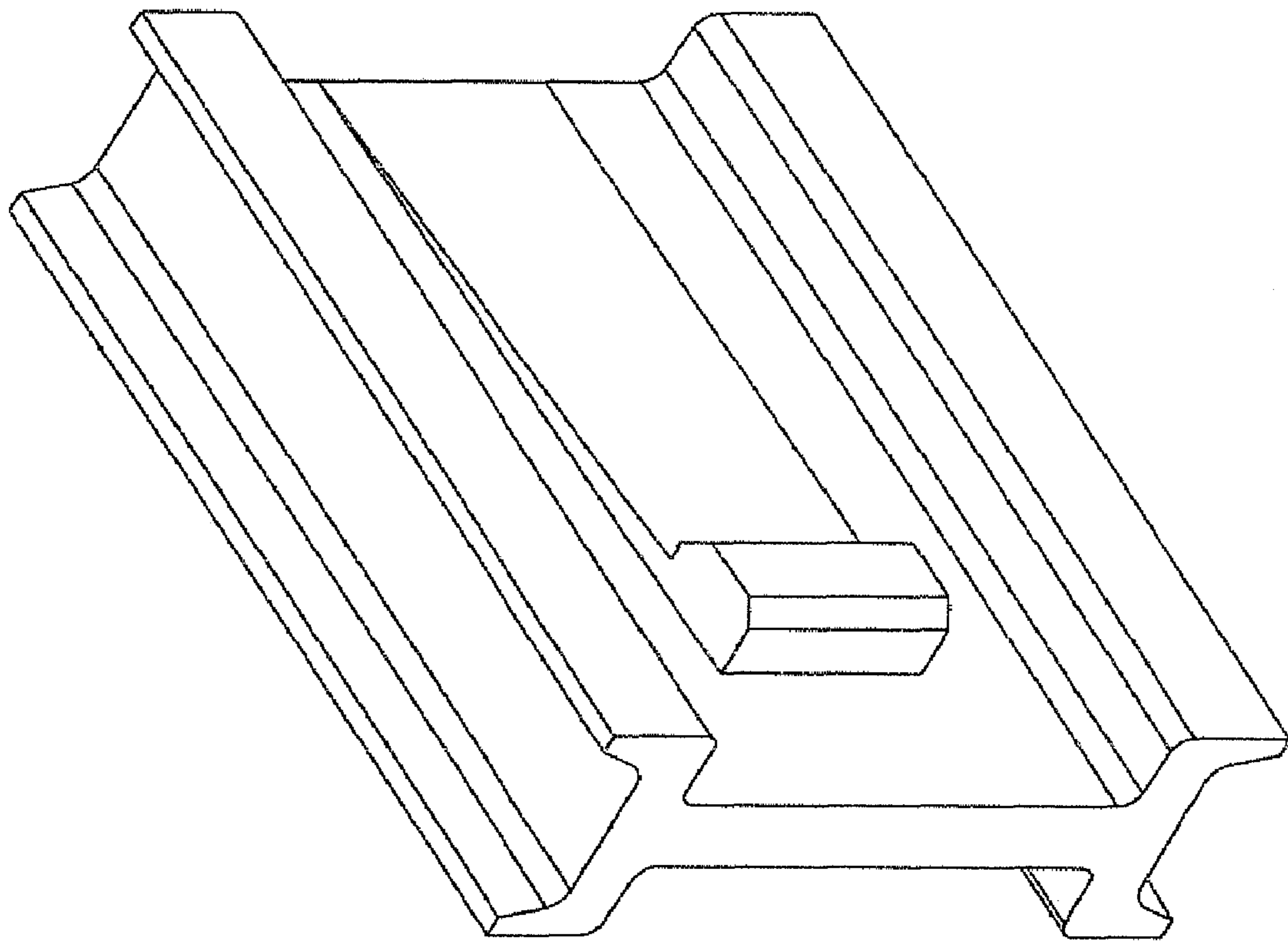


FIGURE 5