



US00D594079S

(12) **United States Design Patent**
Ketcherside et al.

(10) **Patent No.:** **US D594,079 S**
(45) **Date of Patent:** **** Jun. 9, 2009**

(54) **PLAYGROUND PLAYCENTER**

(75) Inventors: **Julie D. Ketcherside**, Farmington, MO (US); **Lloyd W. Reese**, Farmington, MO (US); **Brian B. Jenkins**, Farmington, MO (US); **Christopher Michael Newburry**, Desloge, MO (US)

(73) Assignee: **Playpower LT Farmington, Inc.**, Farmington, MO (US)

(**) Term: **14 Years**

(21) Appl. No.: **29/323,195**

(22) Filed: **Aug. 20, 2008**

Related U.S. Application Data

(62) Division of application No. 29/281,710, filed on Jun. 29, 2007, now Pat. No. Des. 577,408.

(51) **LOC (9) Cl.** **21-03**

(52) **U.S. Cl.** **D21/821**

(58) **Field of Classification Search** D21/811-827;
482/35-36; 472/116-125
See application file for complete search history.

(56) **References Cited**

U.S. PATENT DOCUMENTS

D344,773 S *	3/1994	Aker et al.	D21/818
D355,693 S *	2/1995	Aker et al.	D21/818
D361,614 S *	8/1995	Aker et al.	D21/821
D367,911 S *	3/1996	van Huystee	D21/818
D377,075 S *	12/1996	Temple et al.	D21/818
D418,895 S *	1/2000	Ruggiero	D21/818
D468,386 S *	1/2003	Frank	D21/818
D468,387 S	1/2003	Ezell		
D486,200 S	2/2004	Van Deusen		

D495,771 S *	9/2004	Tracy	D21/826
D524,895 S	7/2006	Van Deusen et al.		
D524,899 S *	7/2006	VanDeusen et al.	D21/820
D534,984 S	1/2007	Nye et al.		
D536,052 S *	1/2007	Han	D21/822
D536,406 S	2/2007	Nye et al.		
D536,407 S	2/2007	Nye et al.		
D536,408 S *	2/2007	Nye et al.	D21/818
D536,409 S	2/2007	Nye et al.		
D536,410 S	2/2007	Nye et al.		
D536,411 S	2/2007	Nye et al.		
D577,408 S *	9/2008	Ketcherside et al.	D21/821

* cited by examiner

Primary Examiner—Mitchell I Siegel

(74) *Attorney, Agent, or Firm*—Polster, Lieder, Woodruff & Lucchesi, L.C.

(57) **CLAIM**

The ornamental design for playground playcenter, as shown and described.

DESCRIPTION

FIG. 1 is a perspective view of a playground playcenter of the present design;

FIG. 2 is a front elevational view thereof;

FIG. 3 is a back elevational view thereof;

FIG. 4 is a right side elevational view thereof;

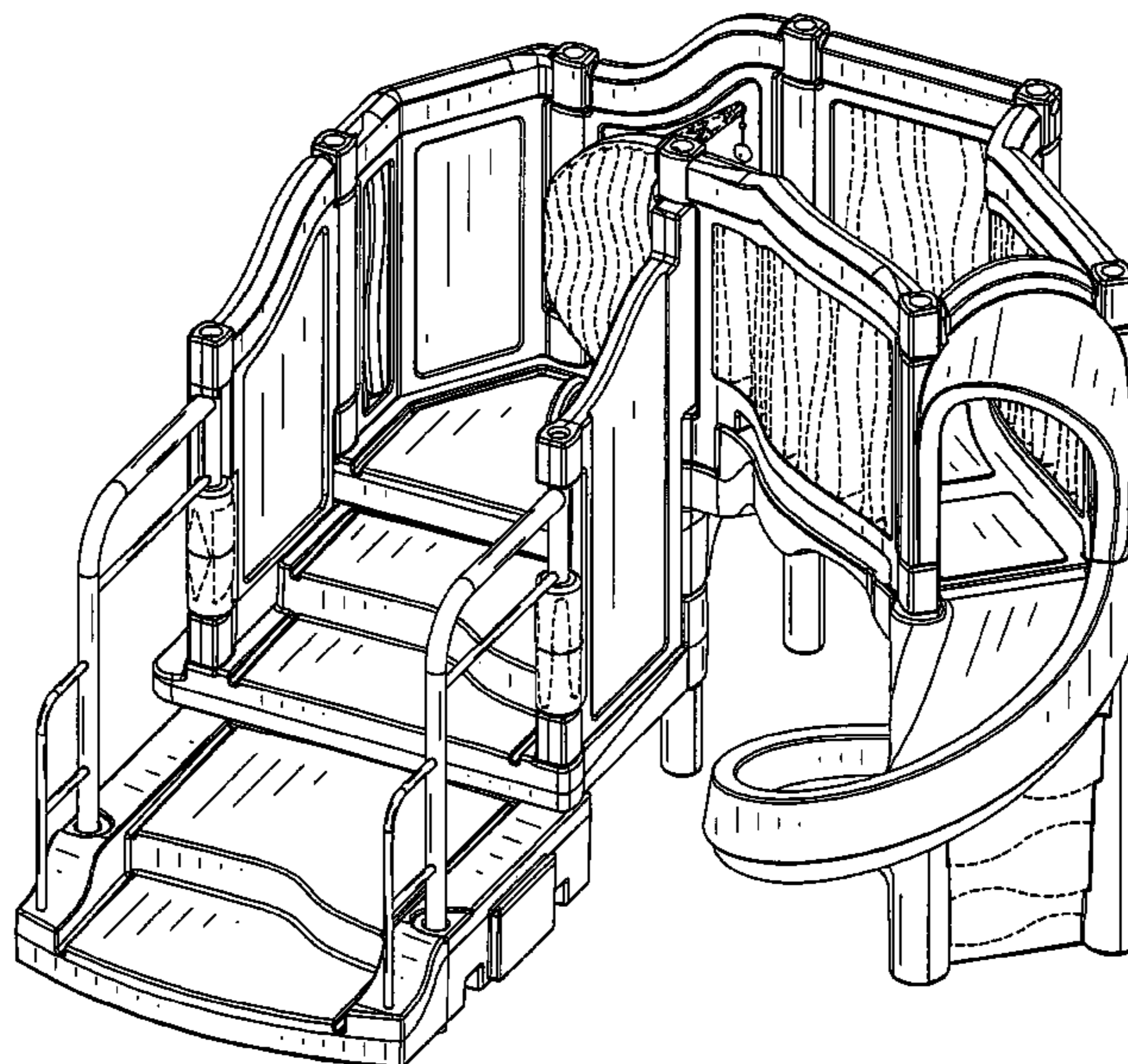
FIG. 5 is left side elevational view thereof;

FIG. 6 is a top plan view thereof; and,

FIG. 7 is a bottom plan view thereof.

The broken line showing is included for the purpose of illustrating and forms no part of the claimed design.

1 Claim, 7 Drawing Sheets



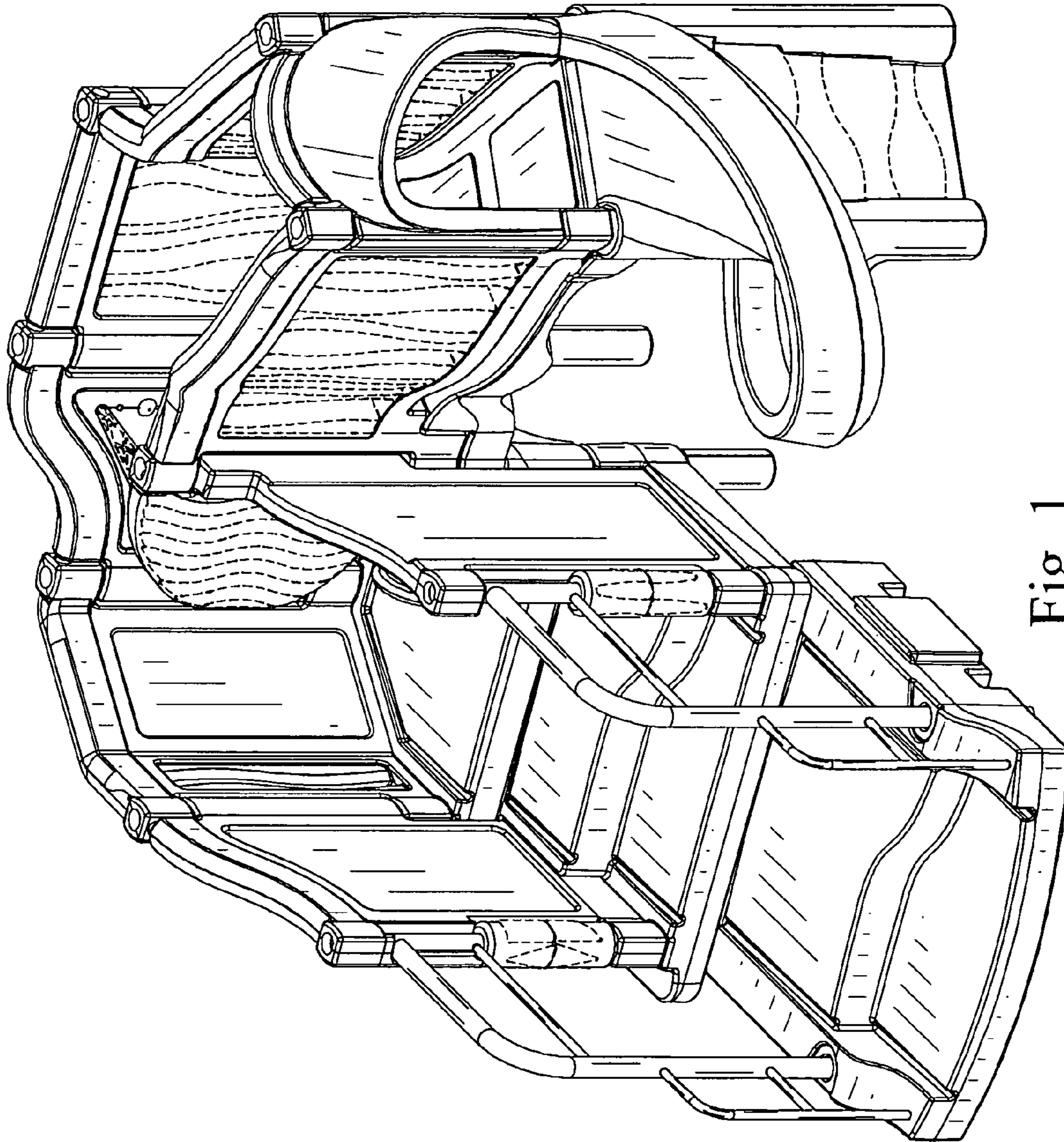


Fig. 1

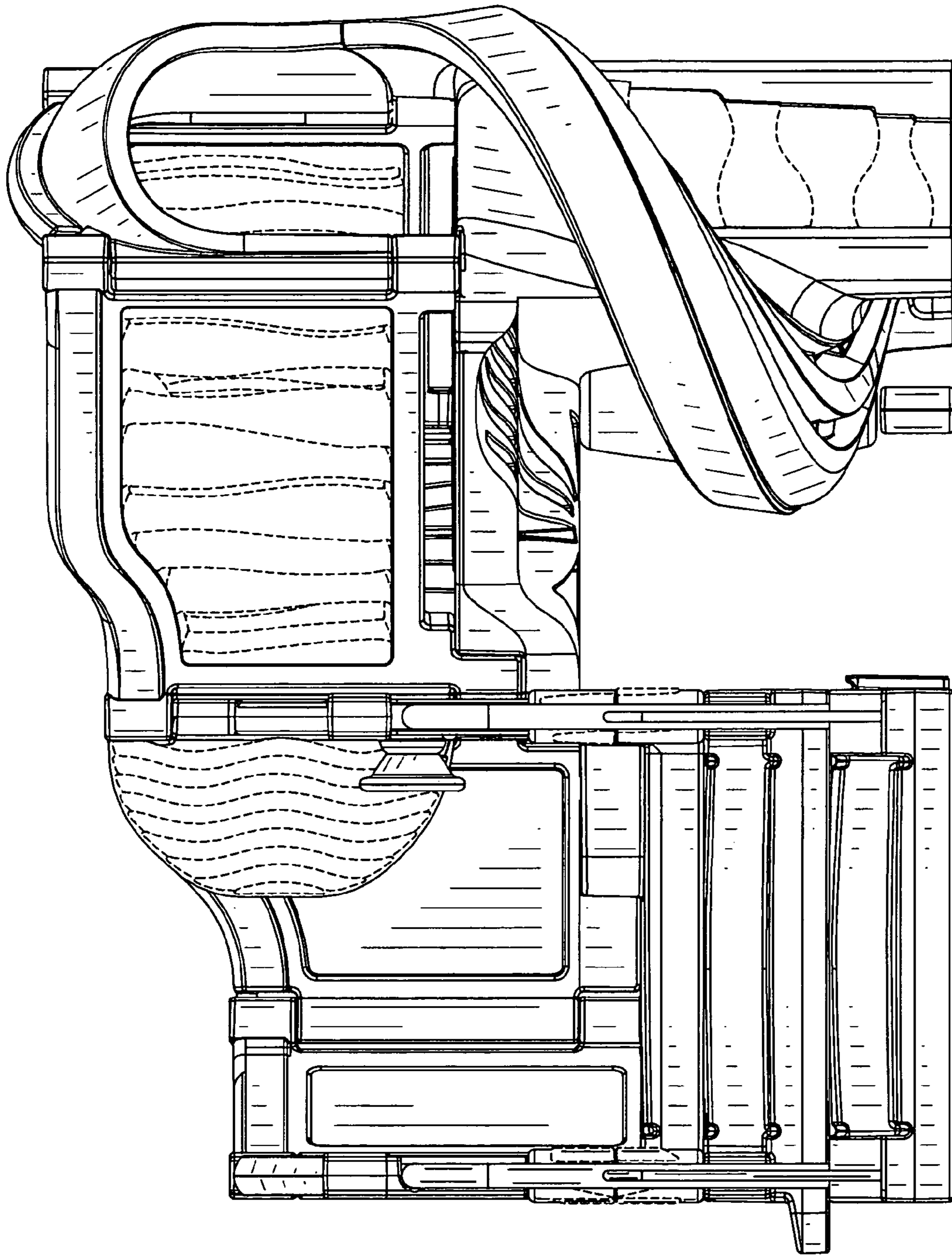


Fig. 2

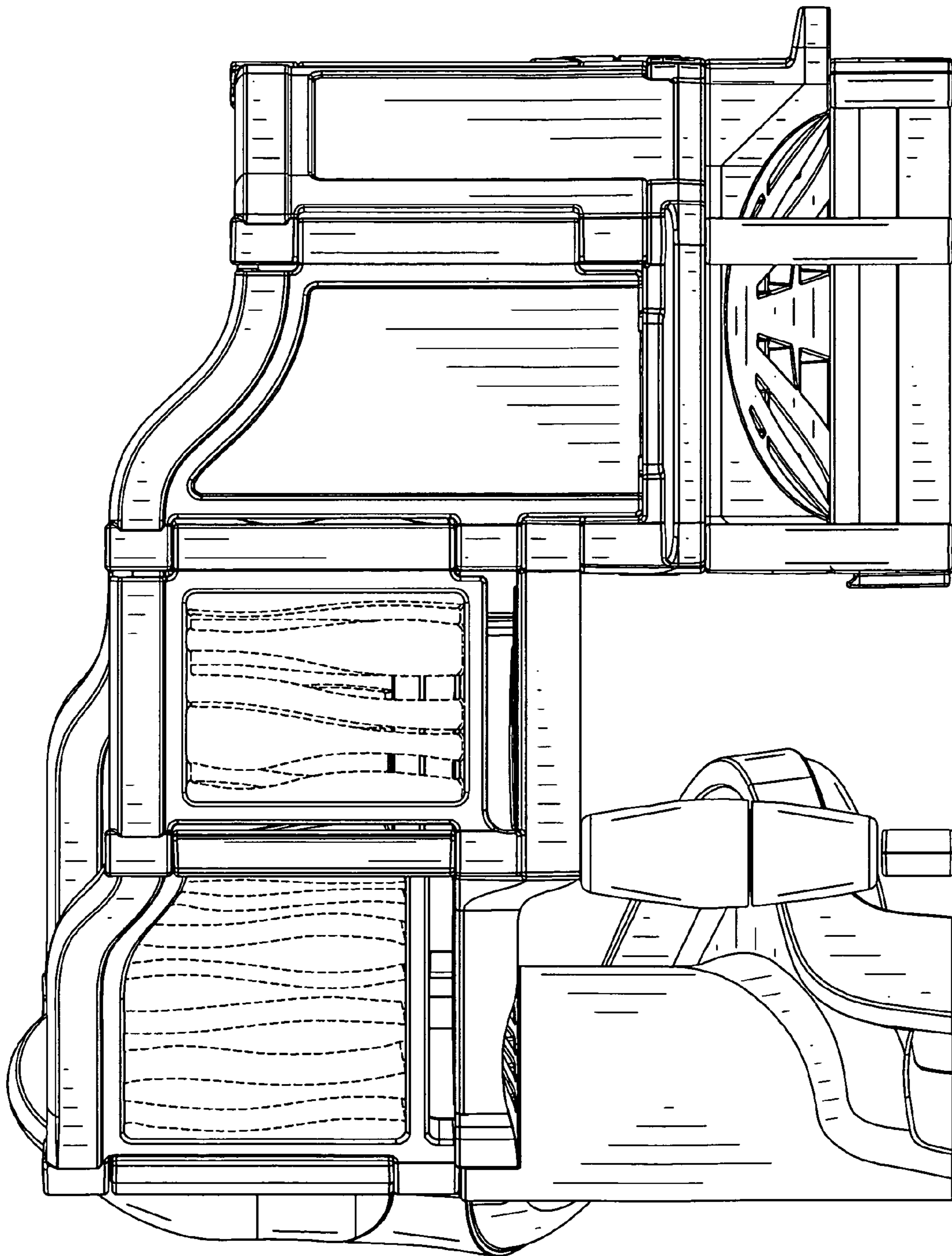


Fig. 3

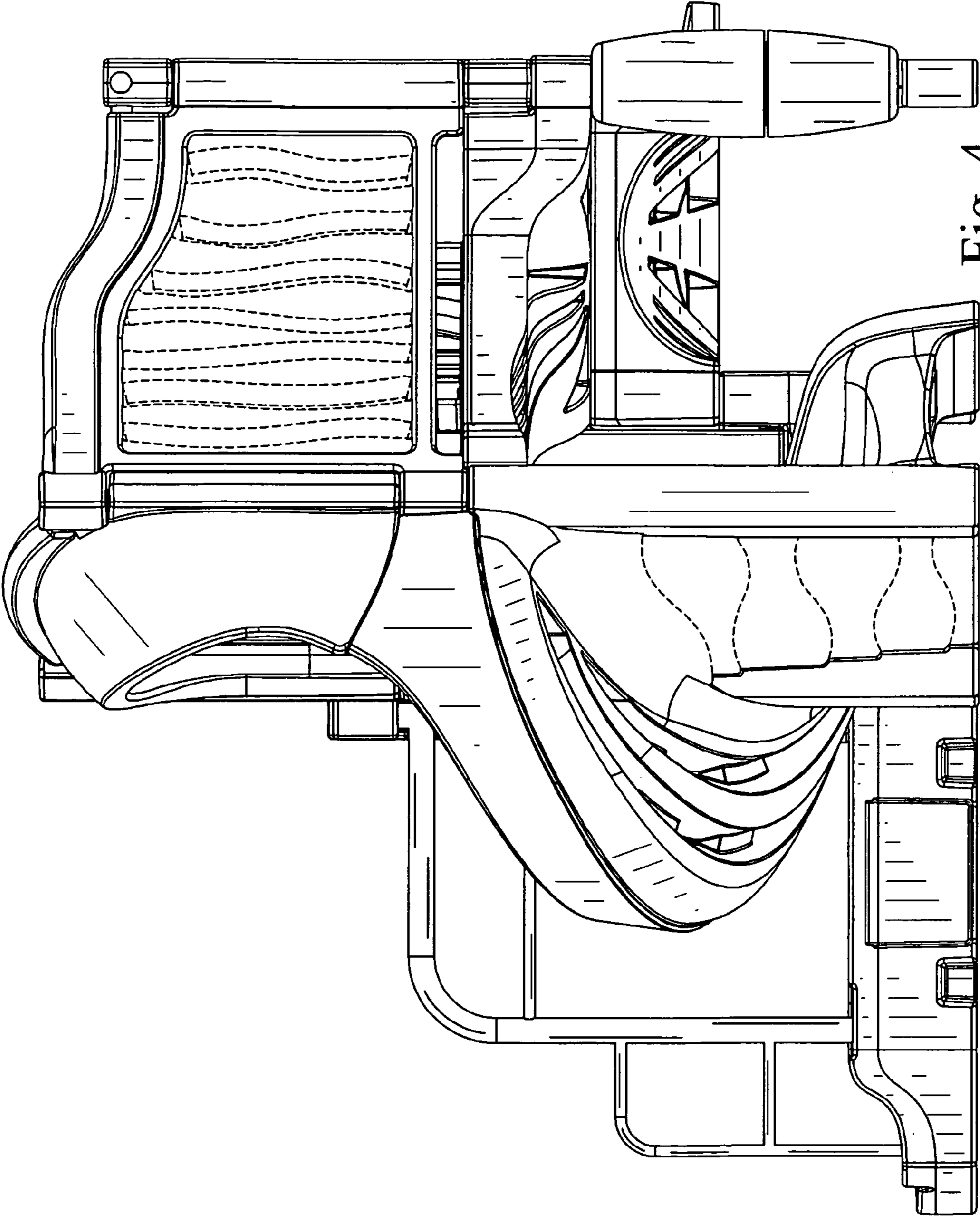


Fig. 4

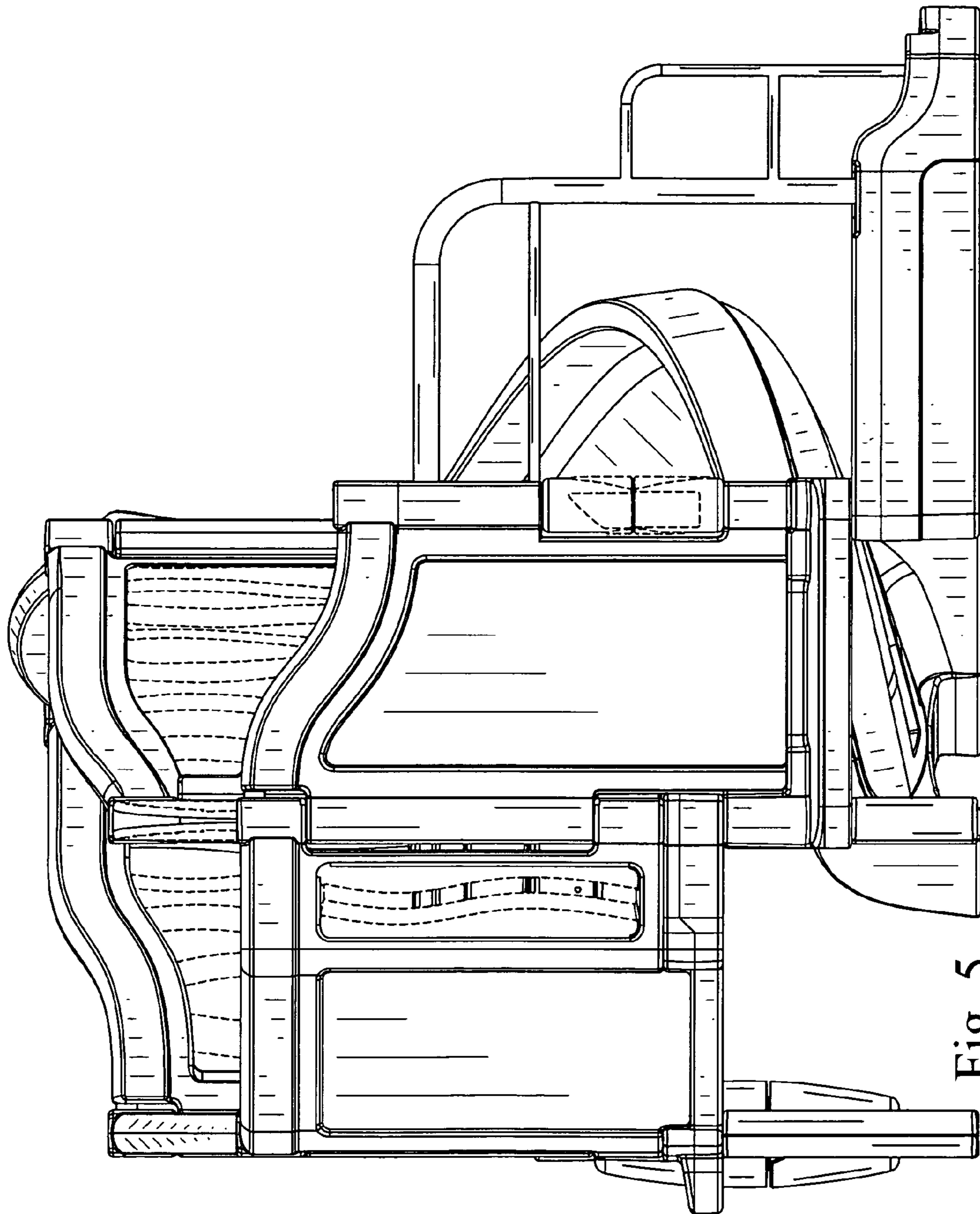


Fig. 5

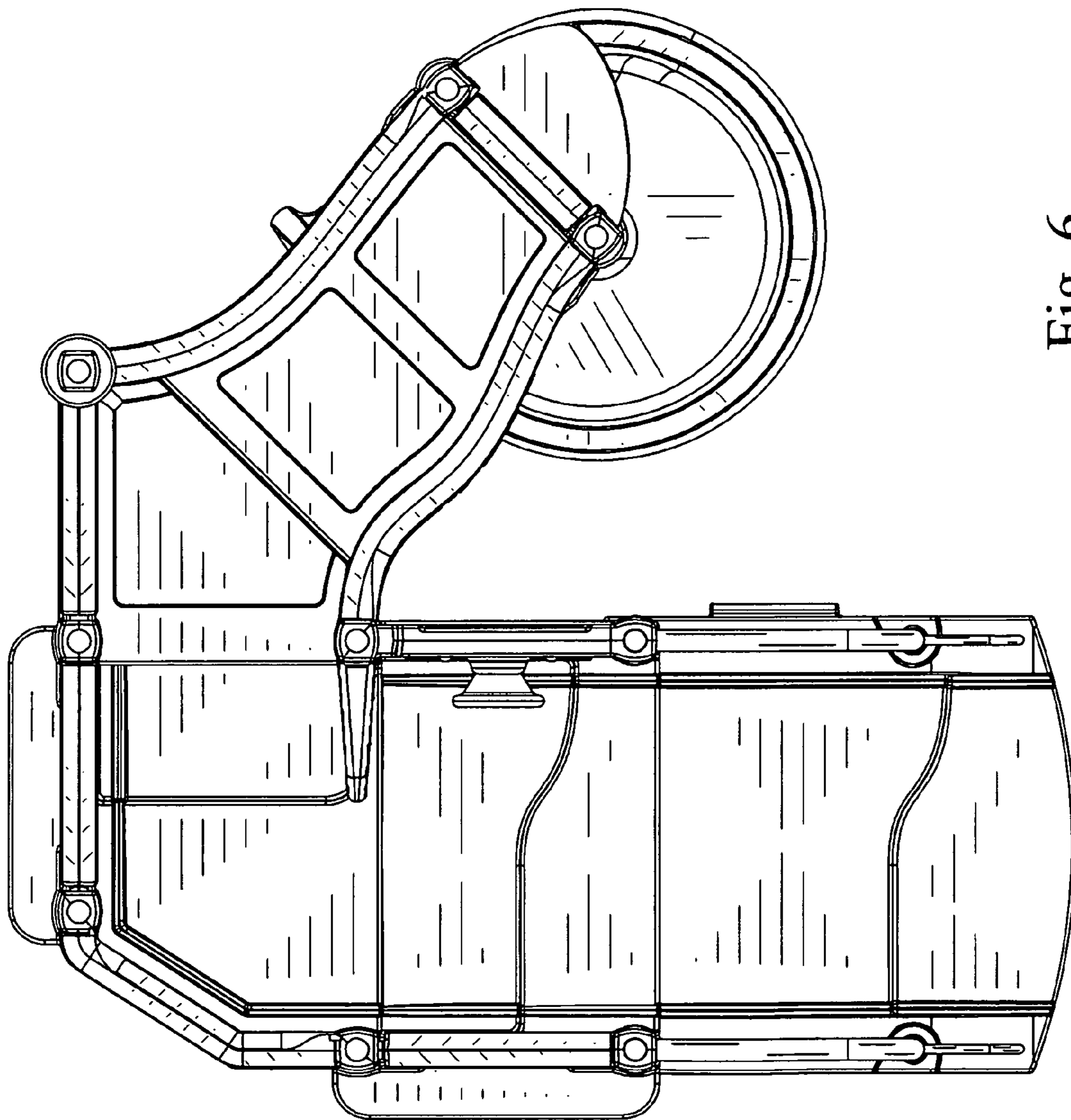


Fig. 6

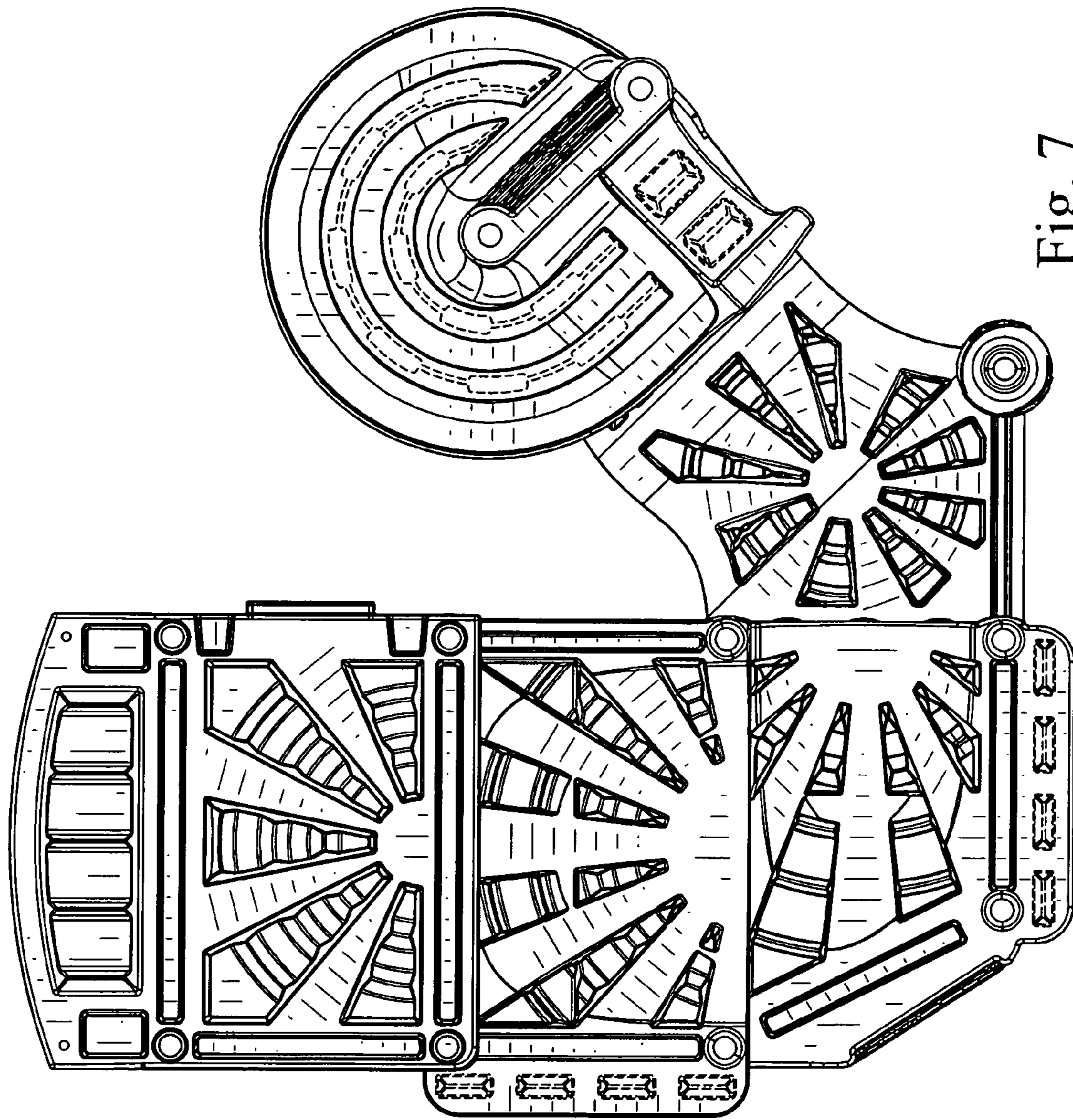


Fig. 7