



US00D594077S

(12) **United States Design Patent**  
**Vassallo**

(10) **Patent No.:** **US D594,077 S**  
(45) **Date of Patent:** **\*\* Jun. 9, 2009**

(54) **SWIM FIN**

(75) Inventor: **Shane Thomas Anthony Vassallo,**  
Maroubra (AU)

(73) Assignee: **POD Ware Pty Ltd.,** Maroubra, New  
South Wales (AU)

(\*\*) Term: **14 Years**

(21) Appl. No.: **29/328,345**

(22) Filed: **Nov. 21, 2008**

(51) **LOC (9) Cl.** ..... **21-01**

(52) **U.S. Cl.** ..... **D21/806**

(58) **Field of Classification Search** ..... D21/769,  
D21/770, 801, 803, 804, 806, 807, 810; D2/731,  
D2/732; 441/55, 56, 58, 60-66, 68, 69, 72-75,  
441/79

See application file for complete search history.

(56) **References Cited**

**U.S. PATENT DOCUMENTS**

D263,615 S *	3/1982	Beuchat	.....	D21/806
D270,926 S *	10/1983	Simpson	.....	D21/806
D277,595 S *	2/1985	Simpson	.....	D21/806
D286,668 S *	11/1986	Berenson	.....	D21/806
D328,325 S *	7/1992	Mitchell	.....	D21/806
D329,269 S *	9/1992	Szabad et al.	.....	D21/806

D349,552 S *	8/1994	Fleming	.....	D21/806
5,387,145 A *	2/1995	Wagner	.....	441/64
D363,105 S *	10/1995	Parr	.....	D21/806
D377,073 S *	12/1996	Chang	.....	D21/806

\* cited by examiner

*Primary Examiner*—Janice E Seeger

*Assistant Examiner*—Zenita I Bennett

(74) *Attorney, Agent, or Firm*—Knobbe, Martens, Olson &  
Bear, LLP

(57) **CLAIM**

The ornamental design for a swim fin, as shown.

**DESCRIPTION**

FIG. 1 is a top perspective view of a swim fin showing my new design.

FIG. 2 is a top plan view thereof.

FIG. 3 is a bottom perspective view thereof.

FIG. 4 is a bottom plan view thereof.

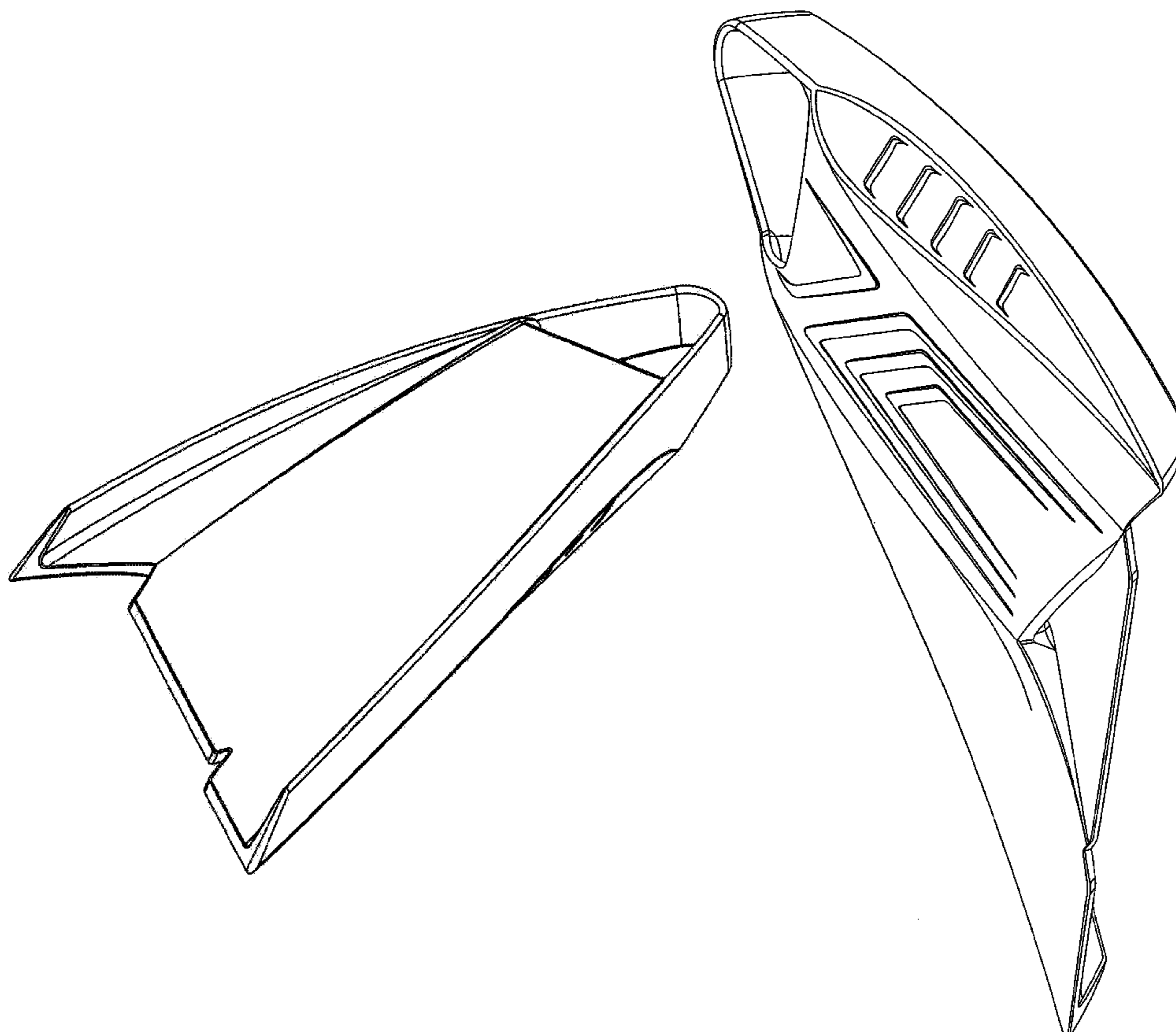
FIG. 5 is a right side elevational view thereof.

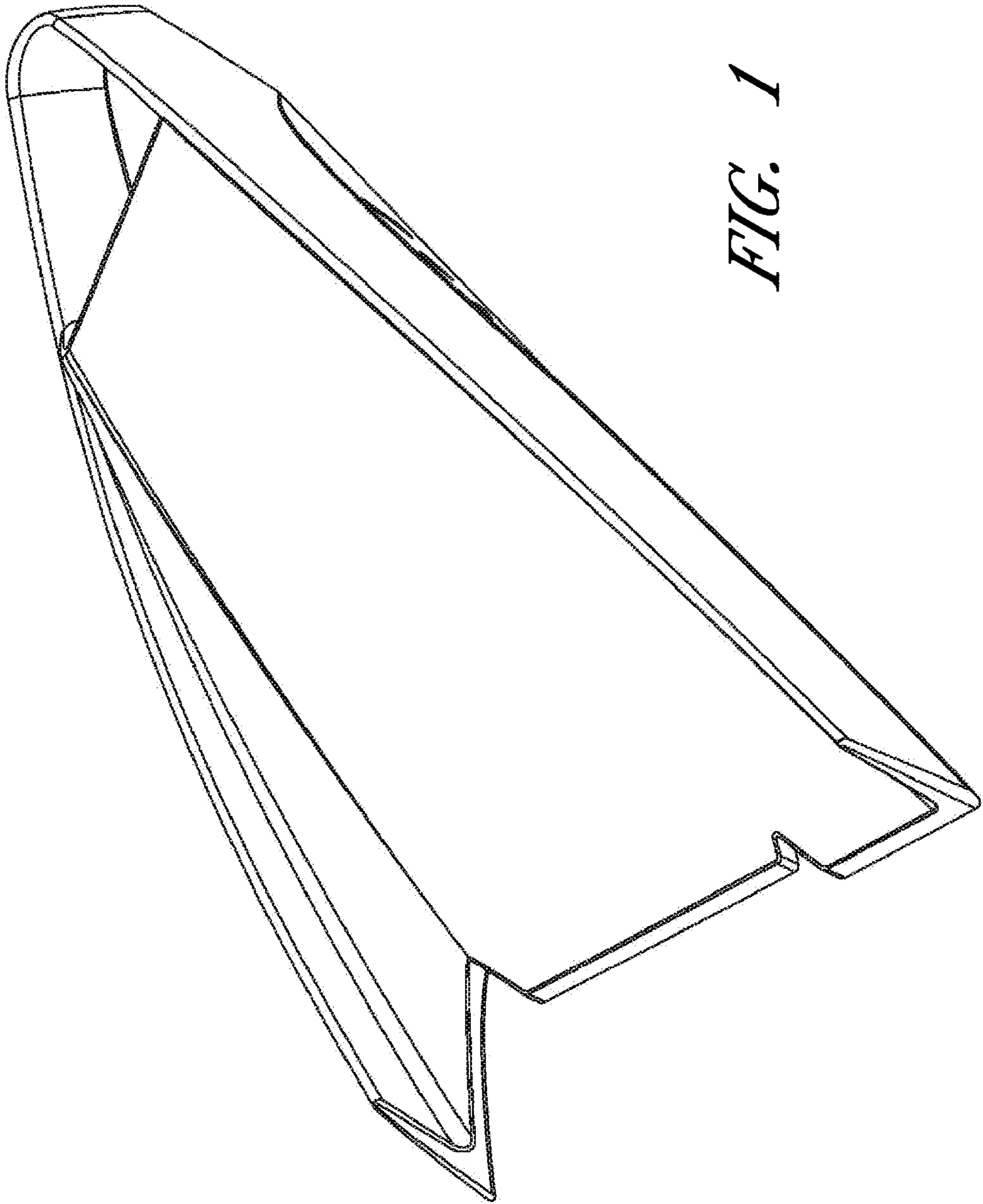
FIG. 6 is a left side elevational thereof.

FIG. 7 is a front elevational view thereof; and,

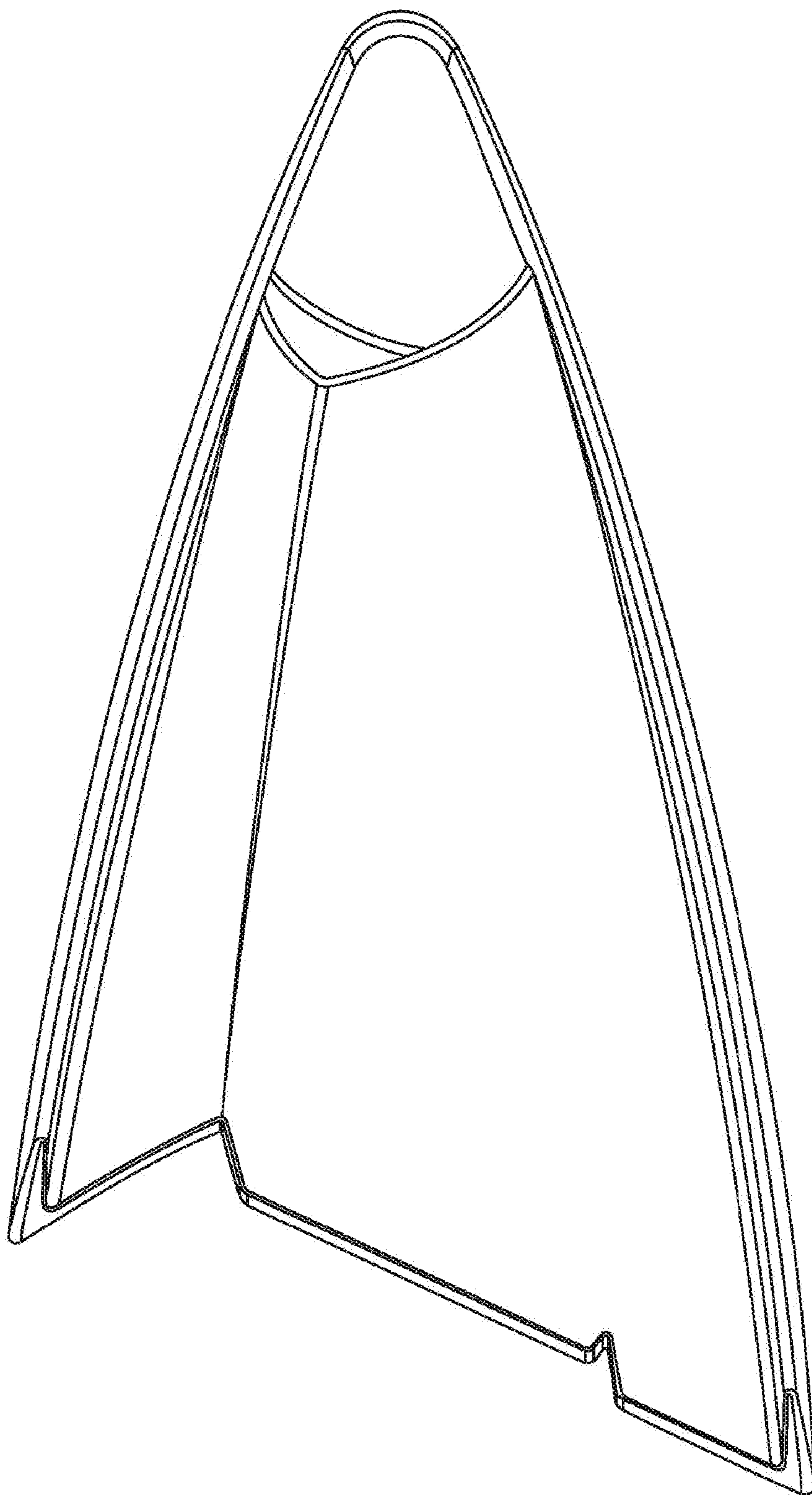
FIG. 8 is a rear elevational view thereof.

**1 Claim, 7 Drawing Sheets**





*FIG. 1*



*FIG. 2*

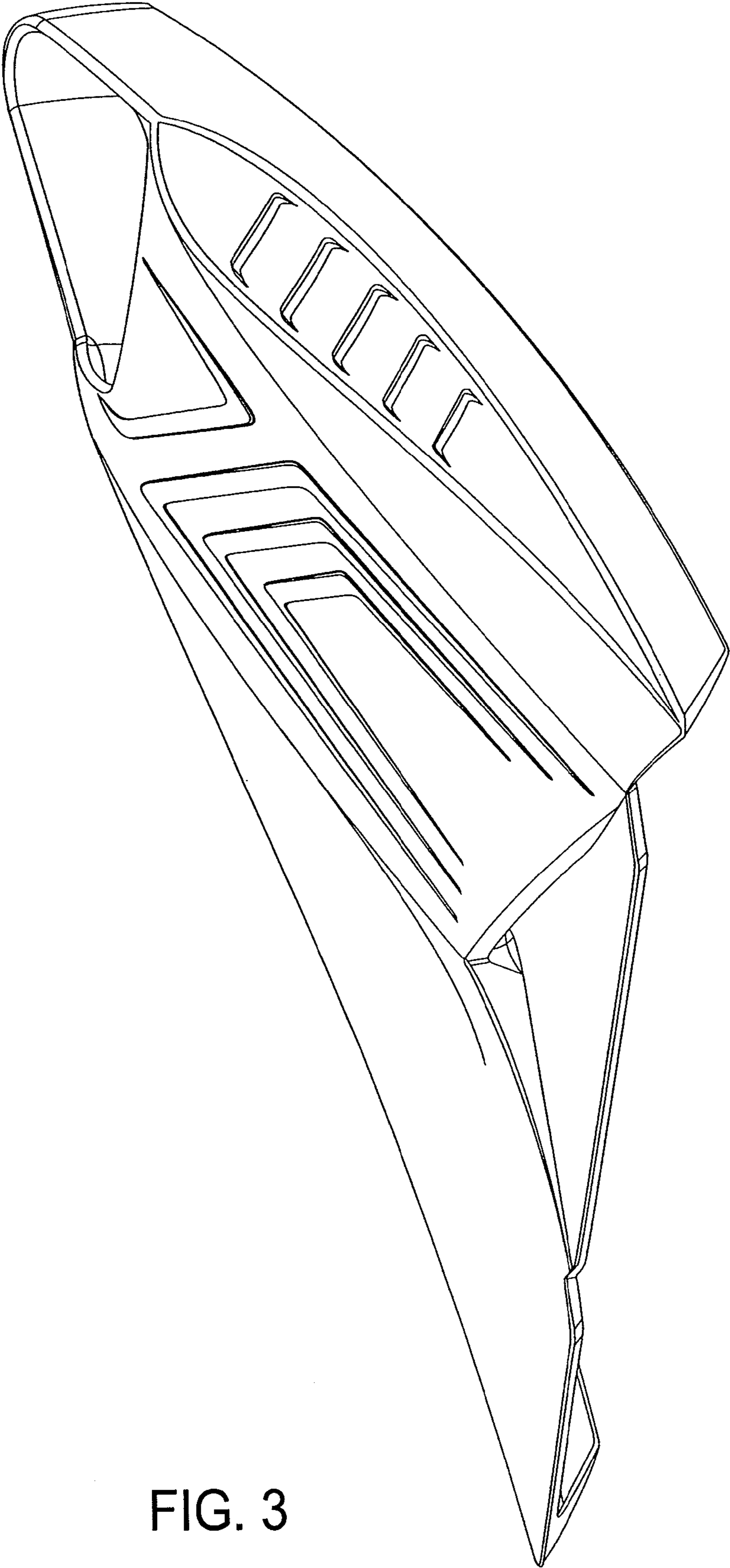
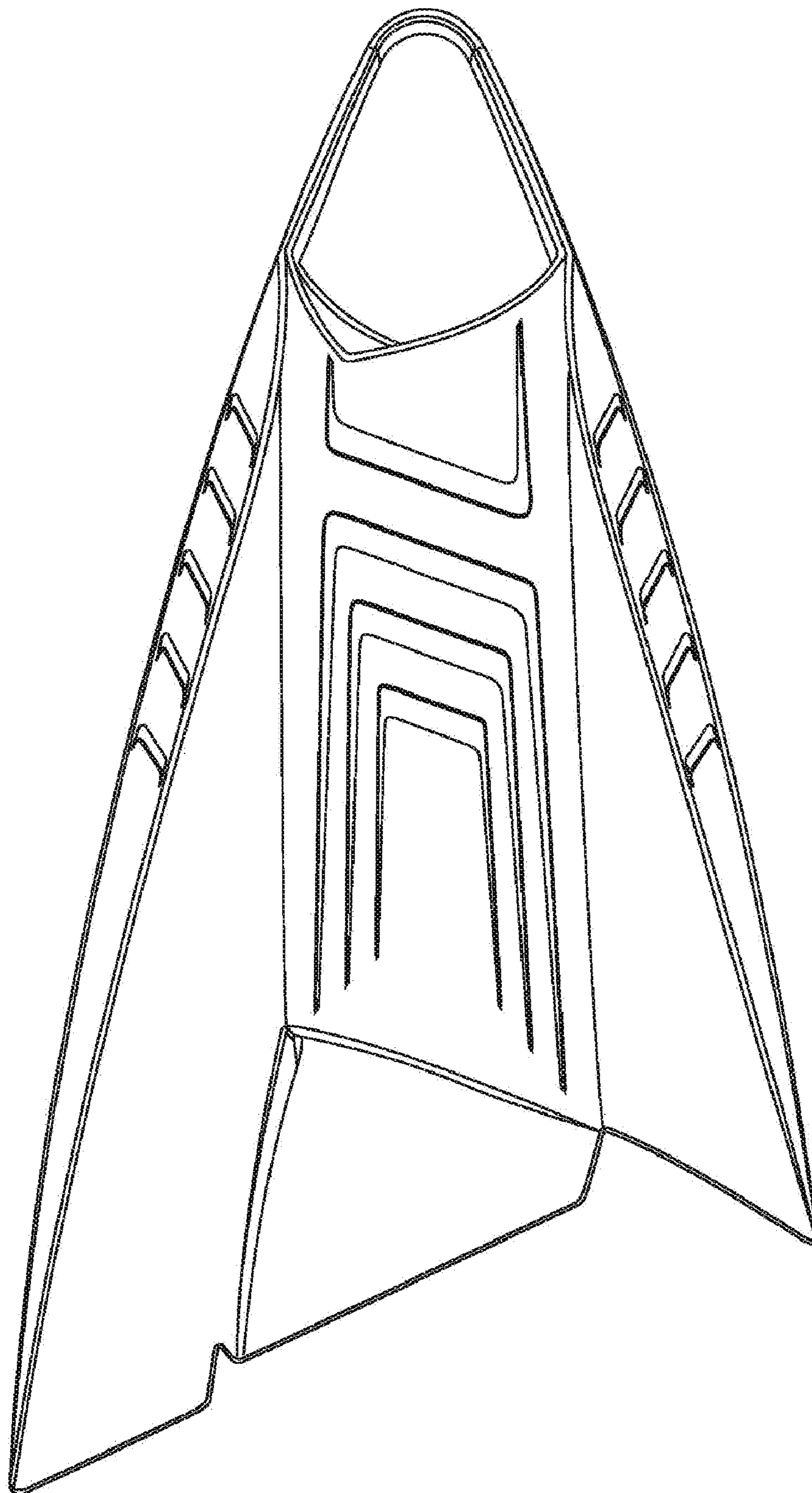
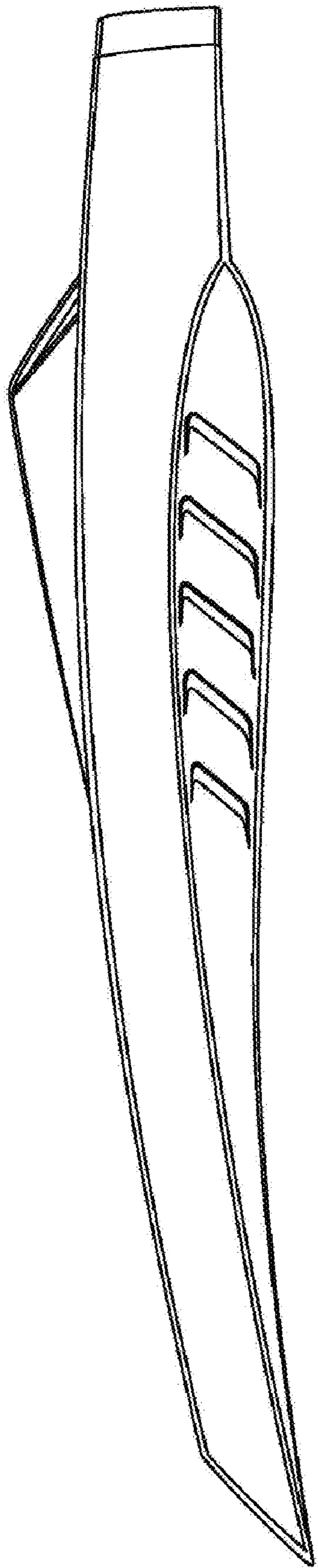


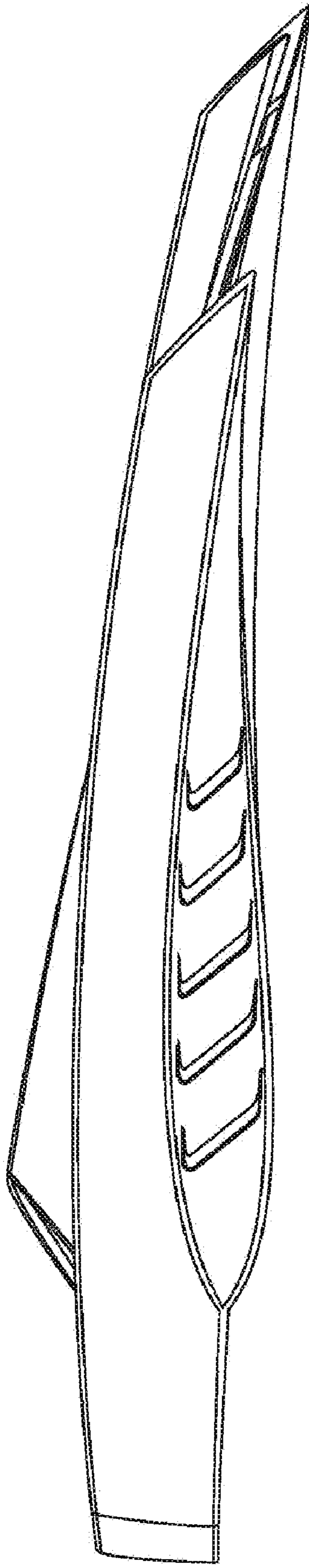
FIG. 3



*FIG. 4*



*FIG. 5*



*FIG. 6*

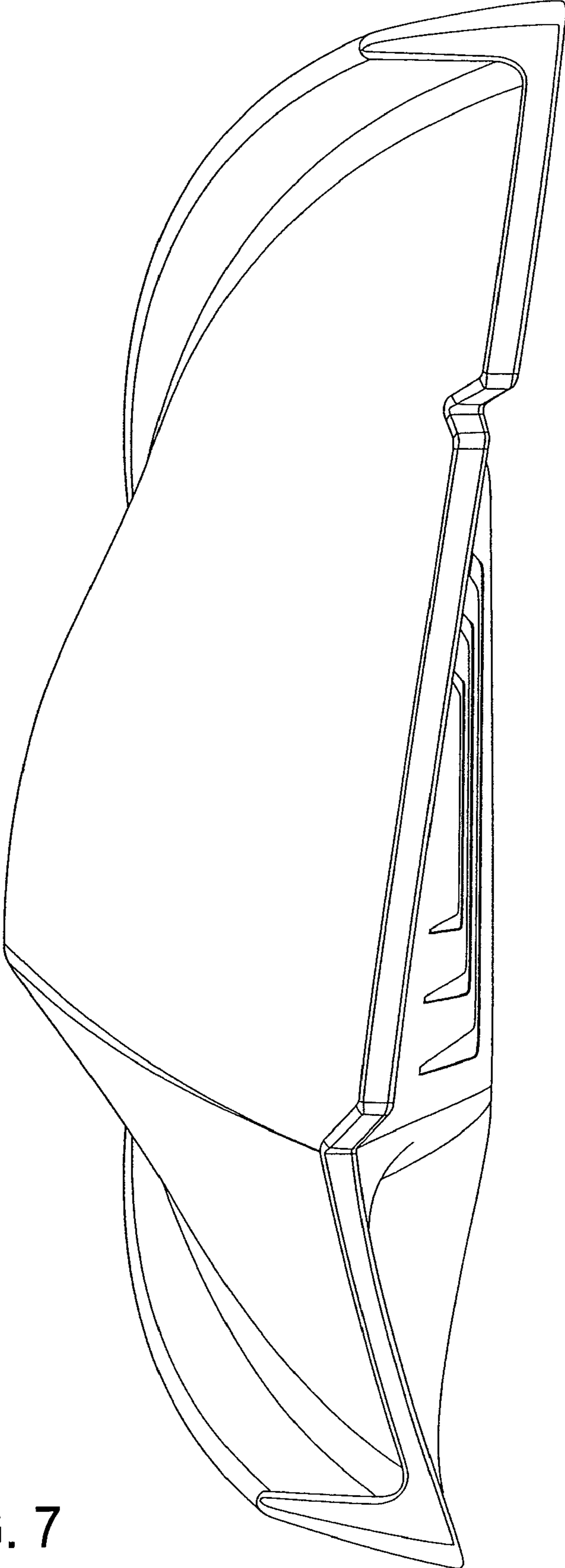


FIG. 7

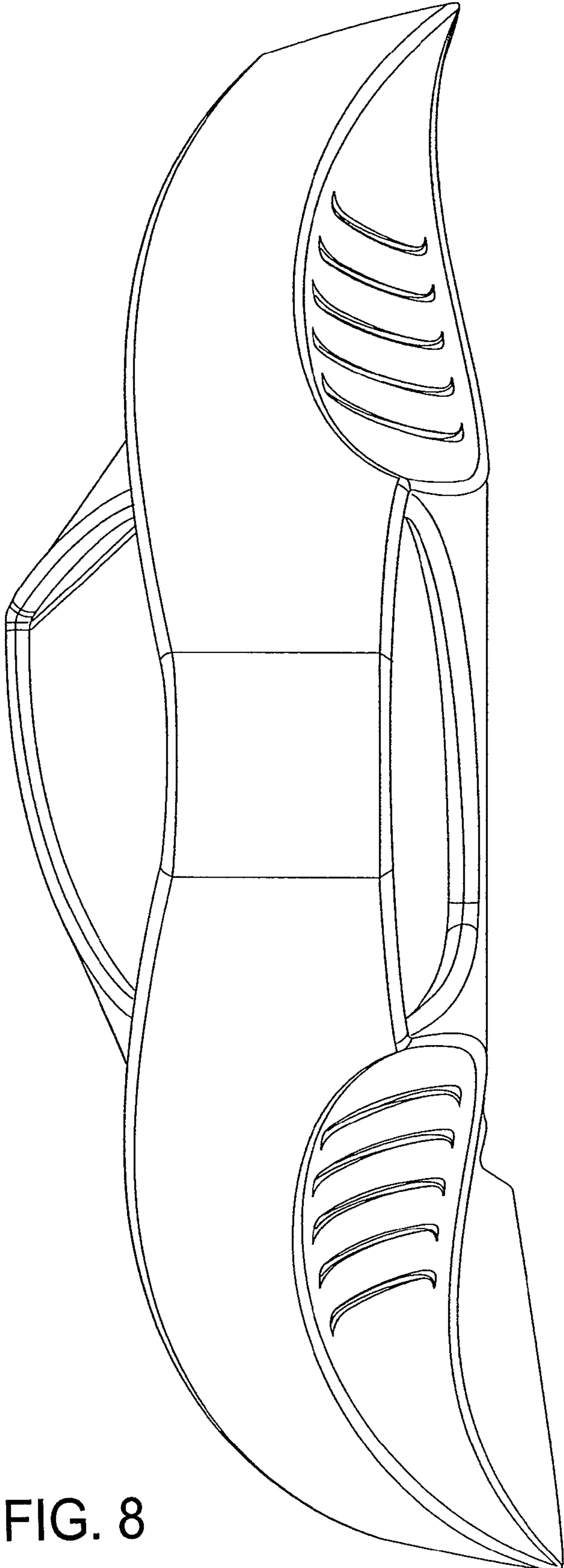


FIG. 8