



US00D594075S

(12) **United States Design Patent**
Bamber

(10) **Patent No.:** **US D594,075 S**
(45) **Date of Patent:** **** Jun. 9, 2009**

(54) **GOLF CLUB SHAFT**

KR 20-0383208 5/2005

(75) Inventor: **Jeffrey V. Bamber**, Cincinnati, OH (US)

(73) Assignee: **Pelican Golf, Inc.**, Cincinnati, OH (US)

(**) Term: **14 Years**

(21) Appl. No.: **29/307,777**

(22) Filed: **May 12, 2008**

Related U.S. Application Data

(62) Division of application No. 11/324,067, filed on Dec. 30, 2005.

(51) **LOC (9) Cl.** **21-02**

(52) **U.S. Cl.** **D21/757**

(58) **Field of Classification Search** D21/733-752,
D21/756-757; 473/316-323

See application file for complete search history.

(56) **References Cited**

U.S. PATENT DOCUMENTS

2,018,723	A *	10/1935	Hutchison	473/315
D118,594	S *	1/1940	Heddon	D21/757
4,629,191	A	12/1986	Mancuso		
D304,608	S *	11/1989	Filice	D21/775
5,251,896	A *	10/1993	Gerlach	473/317
5,335,908	A *	8/1994	Bamber	473/317
5,545,094	A	8/1996	Hsu		
D378,771	S *	4/1997	Antonious	D21/757
5,632,692	A	5/1997	Lebovici		
D380,802	S *	7/1997	Franks	D21/757
5,692,971	A	12/1997	Williams		
5,795,244	A *	8/1998	Lu	473/317
5,873,793	A *	2/1999	Swinford	473/317

(Continued)

FOREIGN PATENT DOCUMENTS

EM 000-485495-0001 5/2006

OTHER PUBLICATIONS

U.S. Appl. No. 12/152,065, filed May 12, 2008, Jeffrey V. Bamber. Office Actions dated Nov. 19, 2007 and Feb. 12, 2008 in U.S. Appl. No. 11/324,067, filed Dec. 30, 2005, to which the pending application claims priority. The Examiner is invited to review all other Office Actions and responses in this parent application.

(Continued)

Primary Examiner—Mitchell I Siegel

(74) *Attorney, Agent, or Firm*—Jeffrey V. Bamber

(57) **CLAIM**

The ornamental design for a golf club shaft, as shown and described.

DESCRIPTION

FIG. 1 is a perspective view of a golf club comprising the golf club shaft, embodying my new design.

FIG. 2 is a side elevational view of the golf club shaft shown in FIG. 1.

FIG. 3 is a side elevational view of the golf club shaft rotated 180 degrees from the view shown in FIG. 2.

FIG. 4 is a side elevational view of the golf club shaft rotated 90 degrees from the view shown in FIG. 2.

FIG. 5 is an end view of the golf club shaft at the tip end of the shaft.

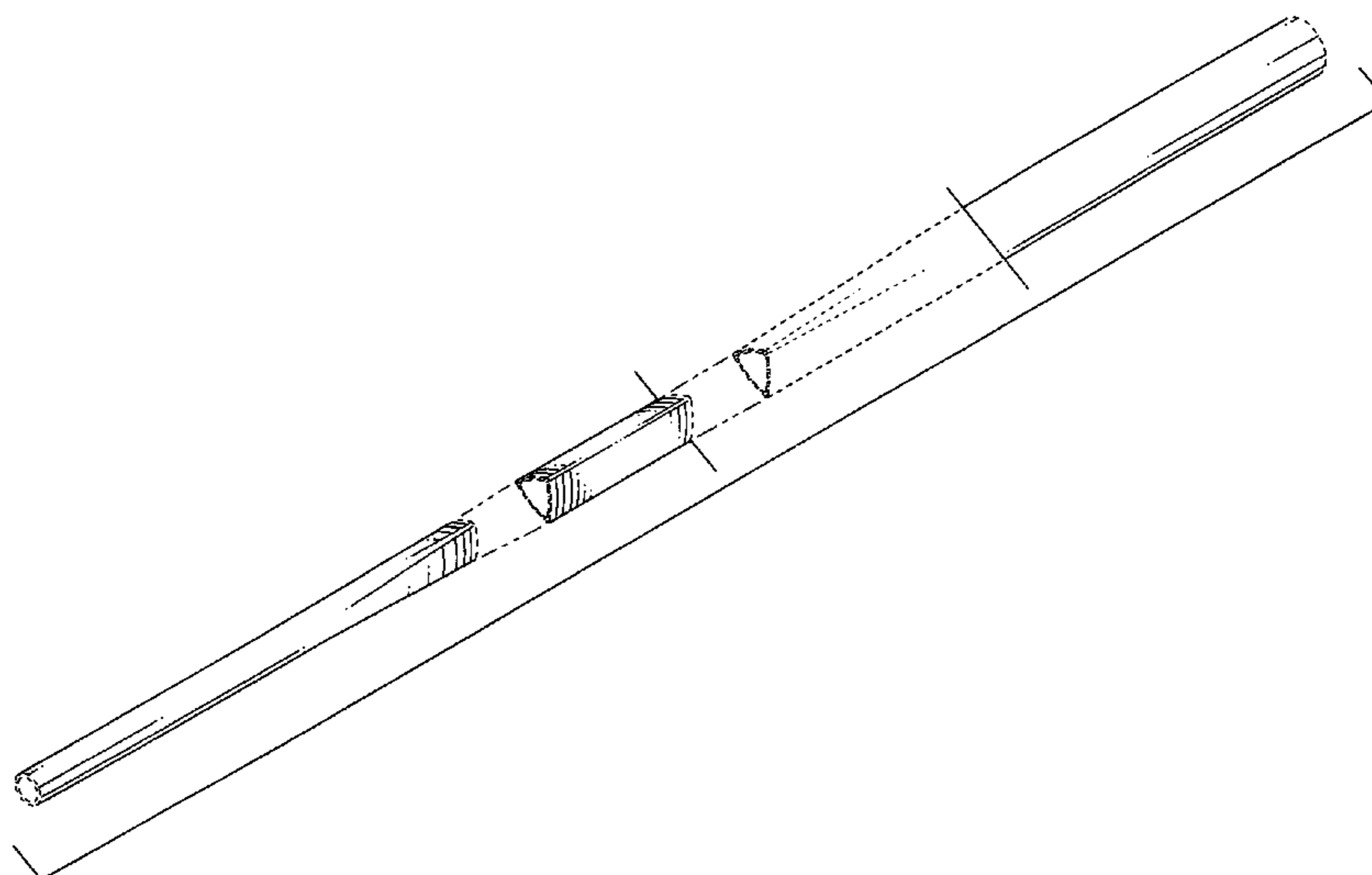
FIG. 6 is an end view of the golf club shaft at the butt end of the shaft.

FIG. 7 is a cross-sectional view of the golf club shaft taken along line 7—7 of FIG. 2; and,

FIG. 8 is a partially fragmented perspective view of the golf club shaft that shows the different sections of the same and the transitions between the different sections, which sections and transitions may be of any length.

The broken lines shown in the drawings are for illustrative purposes only and form no part of the claimed design.

1 Claim, 4 Drawing Sheets



U.S. PATENT DOCUMENTS

5,913,733 A * 6/1999 Bamber 473/317
 5,921,870 A 7/1999 Chiasson
 5,935,017 A 8/1999 Weaver et al.
 5,944,616 A 8/1999 Horwood et al.
 5,976,032 A 11/1999 You
 6,027,414 A 2/2000 Koebler
 D421,783 S 3/2000 Ryu
 D425,594 S 5/2000 McTague
 6,056,648 A 5/2000 Kusumoto et al.
 D436,138 S 1/2001 Chiasson
 6,354,957 B1 3/2002 Saito
 6,520,867 B1 2/2003 Miura et al.
 6,561,922 B2 5/2003 Bamber
 D479,293 S 9/2003 Bergling Olson
 D505,986 S * 6/2005 Bamber D21/757
 D522,079 S 5/2006 Healer
 D556,281 S * 11/2007 Bamber D21/757
 D569,940 S * 5/2008 Lemire D21/757
 7,435,187 B2 10/2008 Stites et al.
 2006/0032870 A1 2/2006 Murray et al.

2006/0264263 A1 11/2006 Williams

OTHER PUBLICATIONS

Arthor Unknown, "Trends—The Square Tek 90° Putter", Golfing magazine, Jul. 1986, p. 19. (1 page).
 Joe Logan, "The Golf Report—Inventor Keeps on Swinging Away", The Philadelphia Inquirer, May 6, 2001, p. D12A, Philadelphia, PA, USA. (2 pages).
 Author Unknown, Installation Guide for Stulz Nano Arrow Tri-Edge shafts, dated 2005 (exact date of publication unknown), Stulz Golf Technologies LLC, Winter Park, FL, U.S.A., received by Applicant between Dec. 14, 2005 and Dec. 19, 2005 upon purchasing a golf shaft from Stulz. (1 page).
 Stulz Golf Technologies, LLC, "Hot Products, The Stulz Tri-Edge Nano Arrow™ Shaft", GolfWeek magazine, Dec. 10-17, 2005 Issue, p. 40, The Golf Week Group, Orlando, FL, USA. (2 pages).
 Businessweek Online, "Startups—Stulz Golf Technologies", BusinessWeek Online, Mar. 19, 2006, The McGraw-Hill Companies, Inc., NY, NY, USA. (2 pages).
 Office Action dated Feb. 6, 2009 in U.S. Appl. No. 12/152,065, filed May 12, 2008.

* cited by examiner

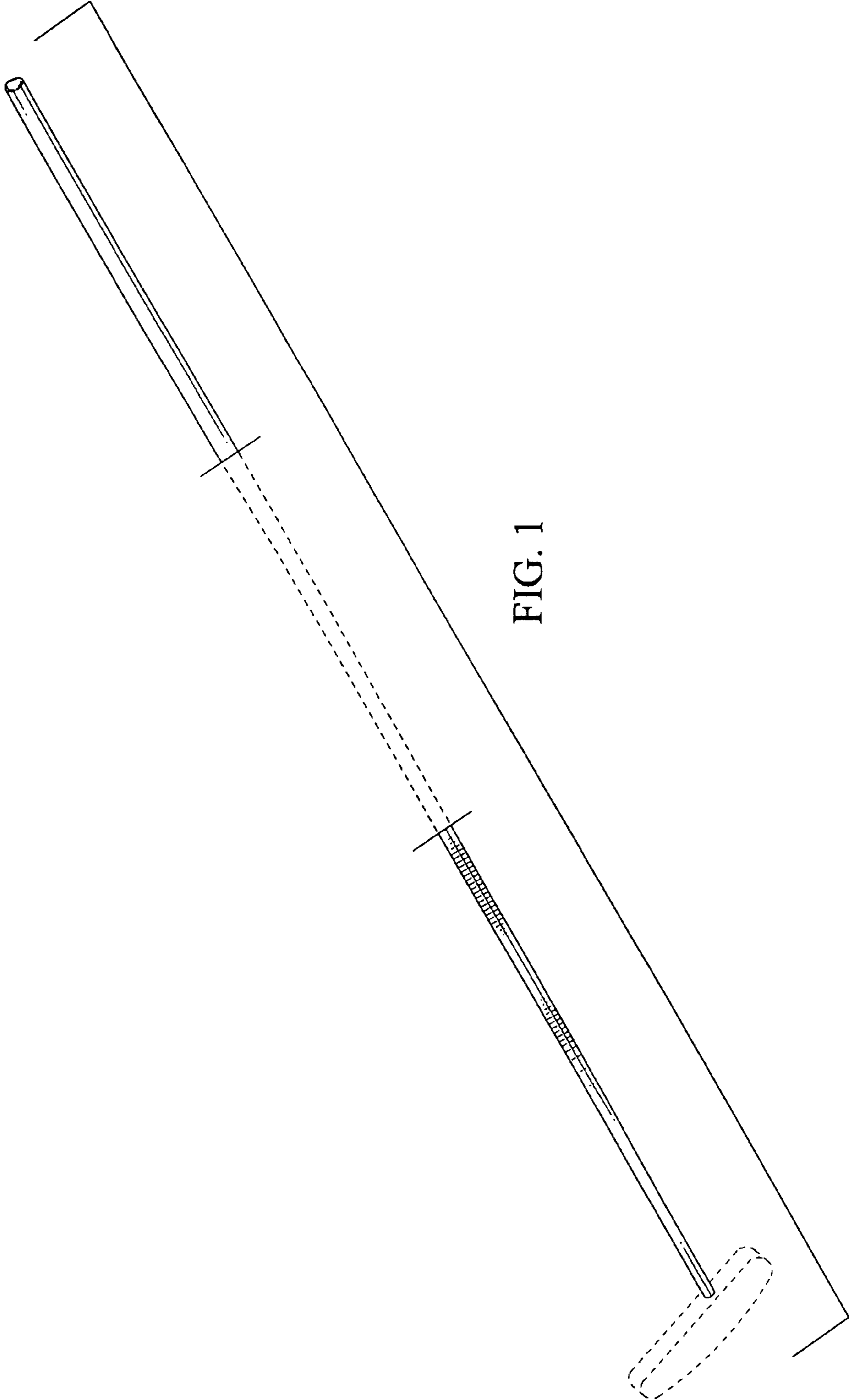


FIG. 1

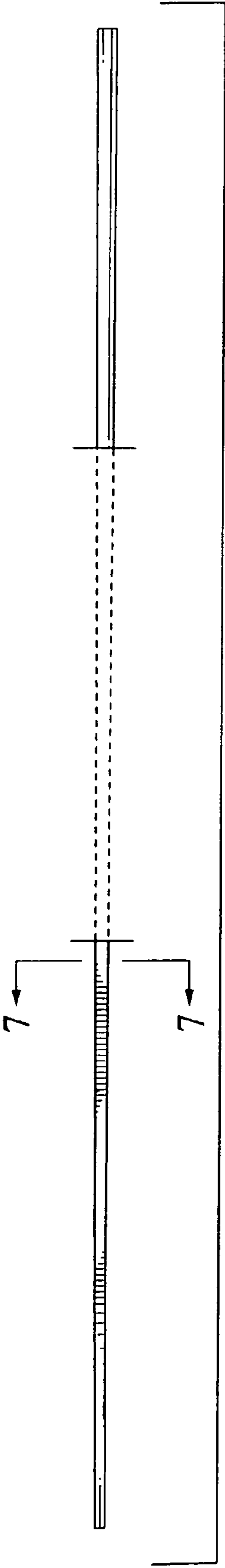


FIG. 2

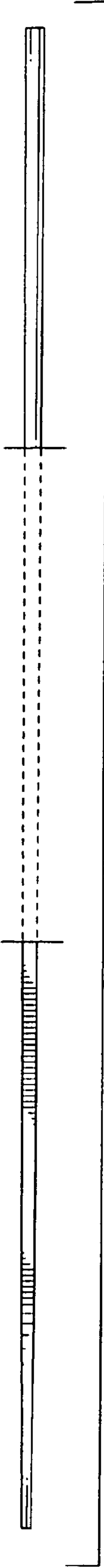


FIG. 3

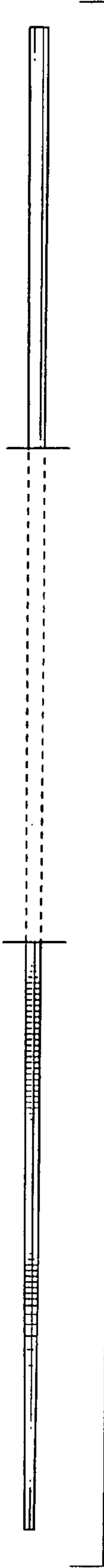


FIG. 4

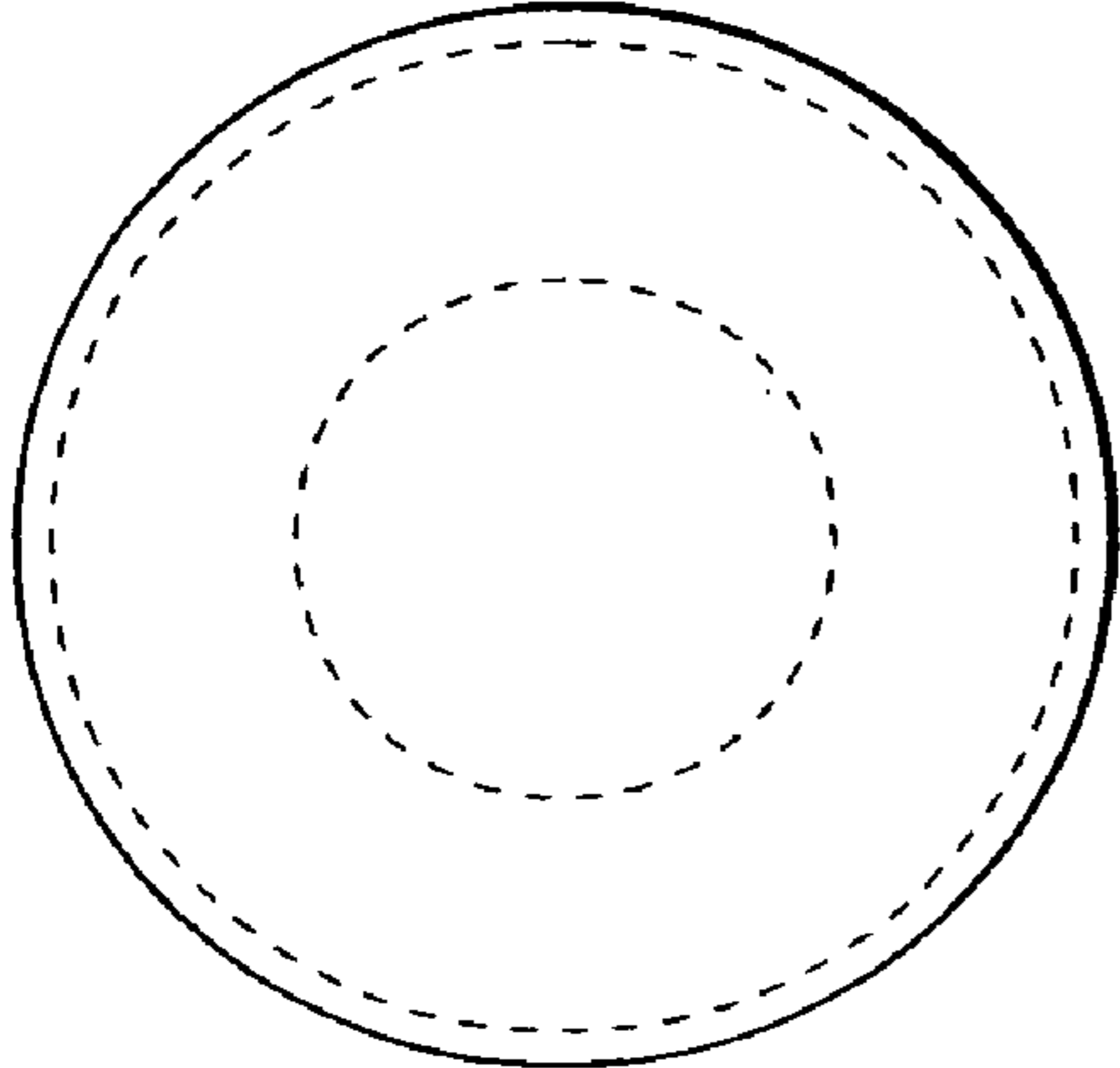


FIG. 6

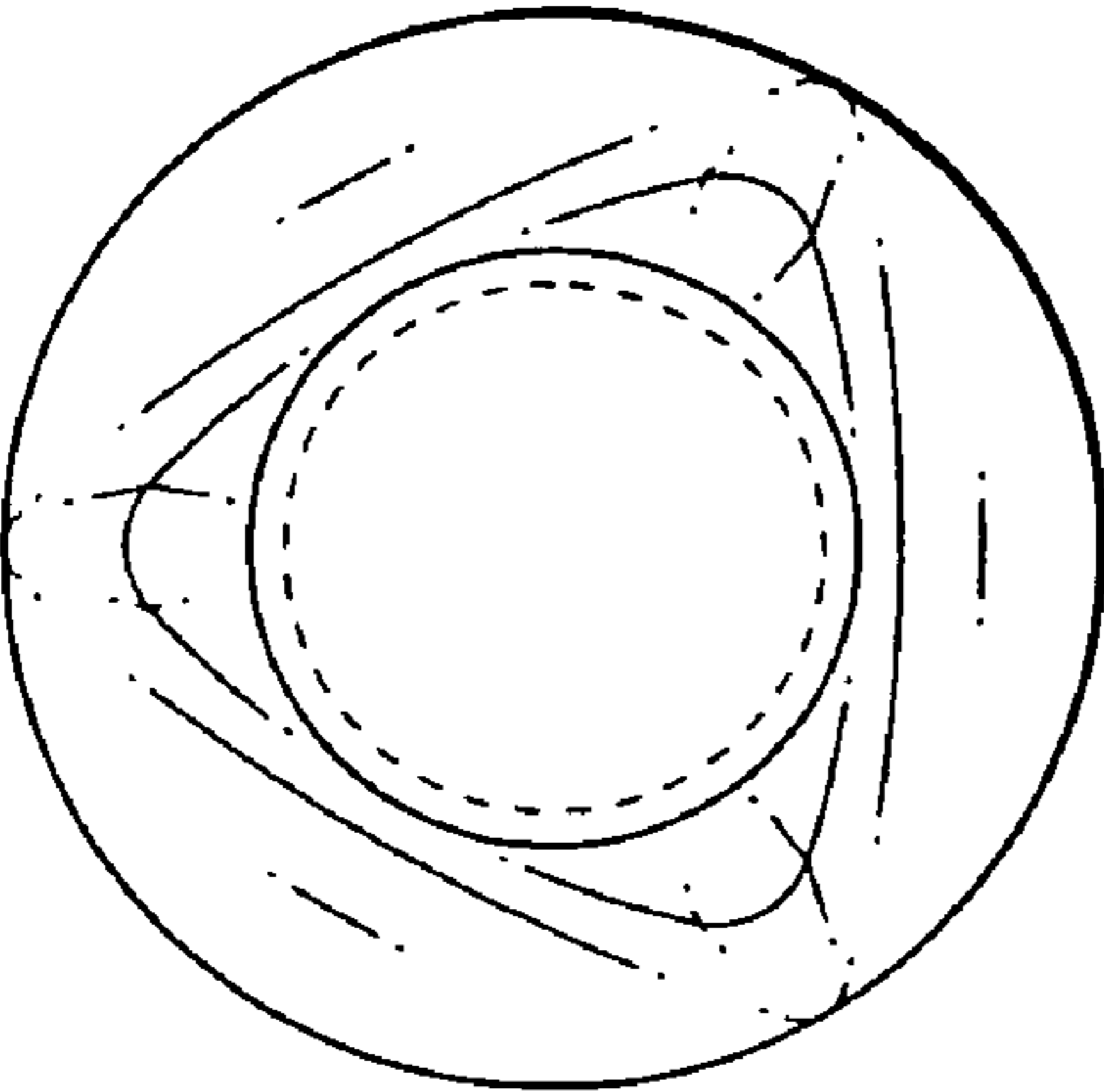


FIG. 5

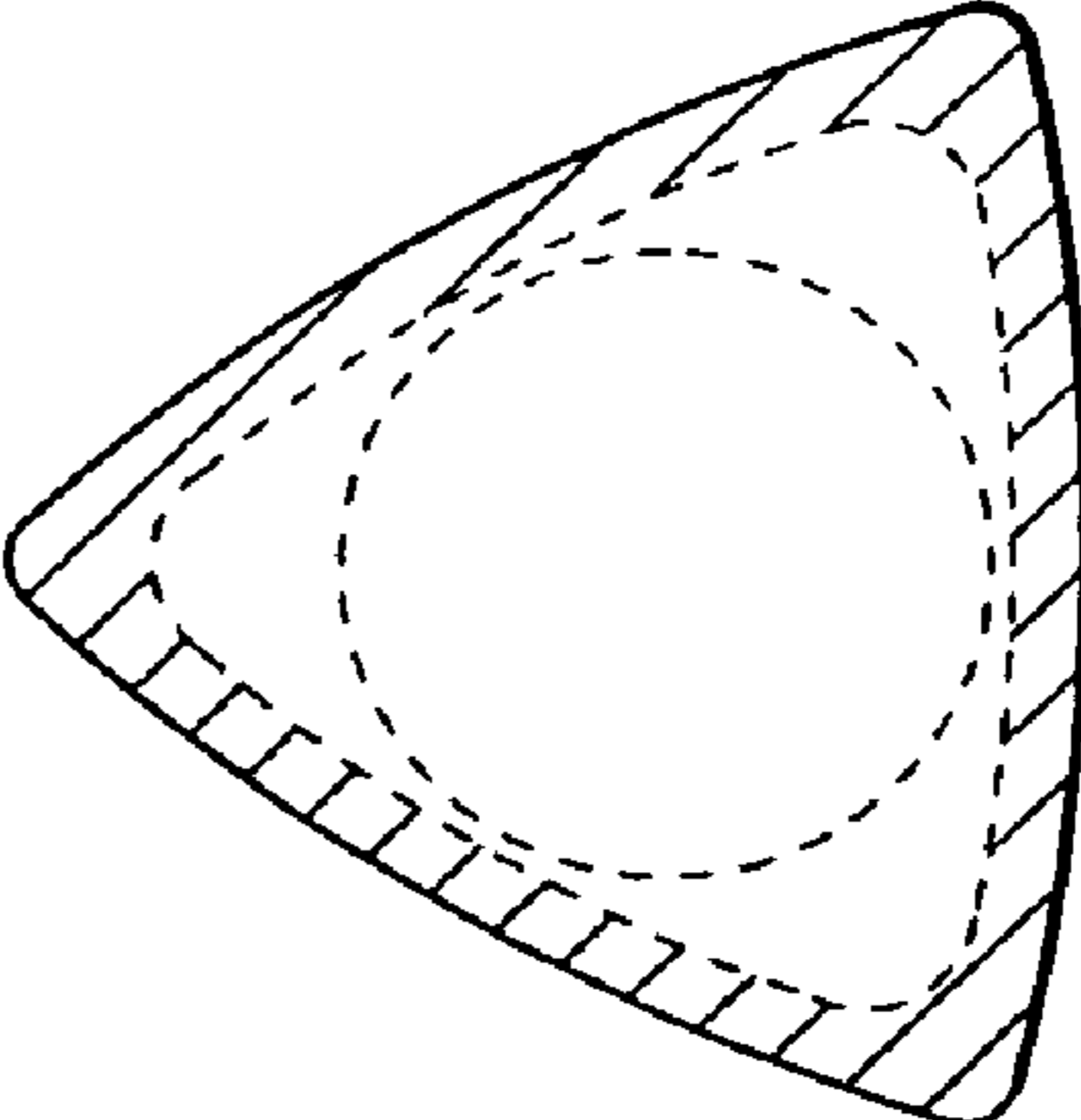


FIG. 7

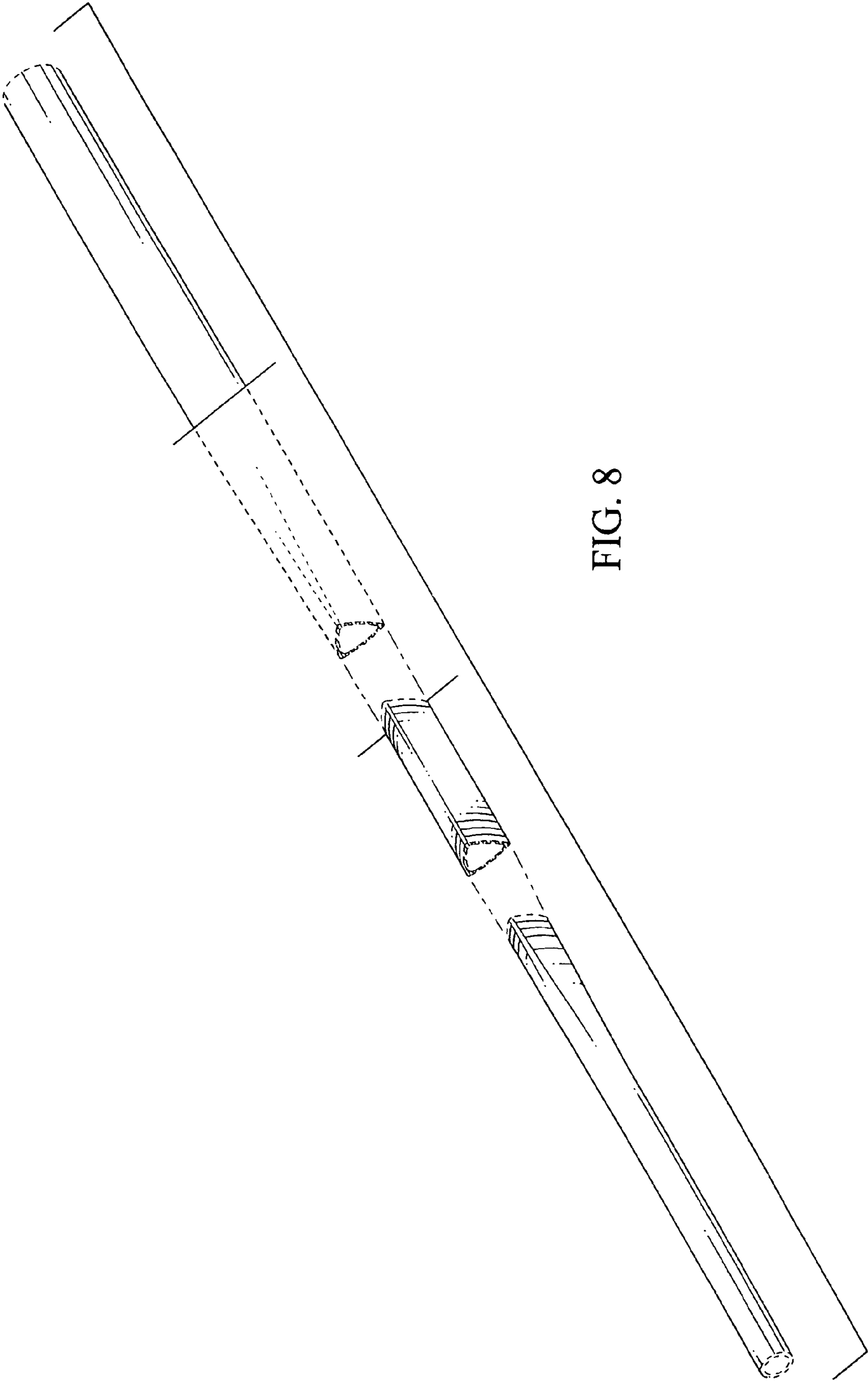


FIG. 8