



US00D594073S

(12) **United States Design Patent**  
**Kadoya**

(10) **Patent No.:** **US D594,073 S**  
(45) **Date of Patent:** **\*\* Jun. 9, 2009**

(54) **HEAD FOR GOLF CLUB**

D571,879 S \* 6/2008 Jones et al. .... D21/736  
D574,907 S \* 8/2008 Jones et al. .... D21/736

(75) Inventor: **Mamiko Kadoya**, Kobe (JP)

(73) Assignee: **SRI Sports Ltd.**, Kobe-shi, Hyogo (JP)

(\*\*) Term: **14 Years**

(21) Appl. No.: **29/300,615**

(22) Filed: **Apr. 18, 2008**

(30) **Foreign Application Priority Data**

Oct. 22, 2007 (JP) ..... D2007-028944

(51) **LOC (9) Cl.** ..... **21-02**

(52) **U.S. Cl.** ..... **D21/744**

(58) **Field of Classification Search** ..... D21/736-746;  
473/324-331, 340-341, 251-256

See application file for complete search history.

(56) **References Cited**

**U.S. PATENT DOCUMENTS**

- D477,041 S \* 7/2003 Cameron ..... D21/742
- 6,663,497 B2 \* 12/2003 Cameron ..... 473/245
- D493,857 S \* 8/2004 Cameron ..... D21/738
- D494,237 S \* 8/2004 Ware ..... D21/736
- D499,778 S \* 12/2004 Cameron ..... D21/742
- D506,796 S \* 6/2005 Li ..... D21/742
- D507,613 S \* 7/2005 Baiocchi ..... D21/742
- D511,801 S \* 11/2005 Garcia ..... D21/742
- D512,114 S \* 11/2005 Garcia ..... D21/742
- D557,361 S \* 12/2007 Rollinson ..... D21/743
- D565,139 S \* 3/2008 Wilson ..... D21/743
- D569,461 S \* 5/2008 Morris ..... D21/744
- D569,462 S \* 5/2008 Rollinson ..... D21/744

**FOREIGN PATENT DOCUMENTS**

JP D1181653 S 6/2003

**OTHER PUBLICATIONS**

“Scotty Cameron Futura Phantom,” Golf Equipment Sogo Catalog, Acushnet Japan Inc., Kabushiki Kaisha Unversal Golf, 2006, pp. 562.  
“Tobunda FN01,” Weekly Pargolf, Alpen Co., Ltd., Gakken Co., Ltd., 2007, pp. 111.

\* cited by examiner

*Primary Examiner*—Mitchell I Siegel

(74) *Attorney, Agent, or Firm*—Birch, Stewart, Kolasch & Birch, LLP

(57) **CLAIM**

The ornamental design for a head for golf club, as shown and described.

**DESCRIPTION**

FIG. 1 is a perspective view of a head for golf club;  
FIG. 2 is a front view thereof;  
FIG. 3 is a rear view thereof;  
FIG. 4 is a left side view thereof;  
FIG. 5 is a right side view thereof;  
FIG. 6 is a top view thereof; and,  
FIG. 7 is a bottom view thereof.

**1 Claim, 3 Drawing Sheets**

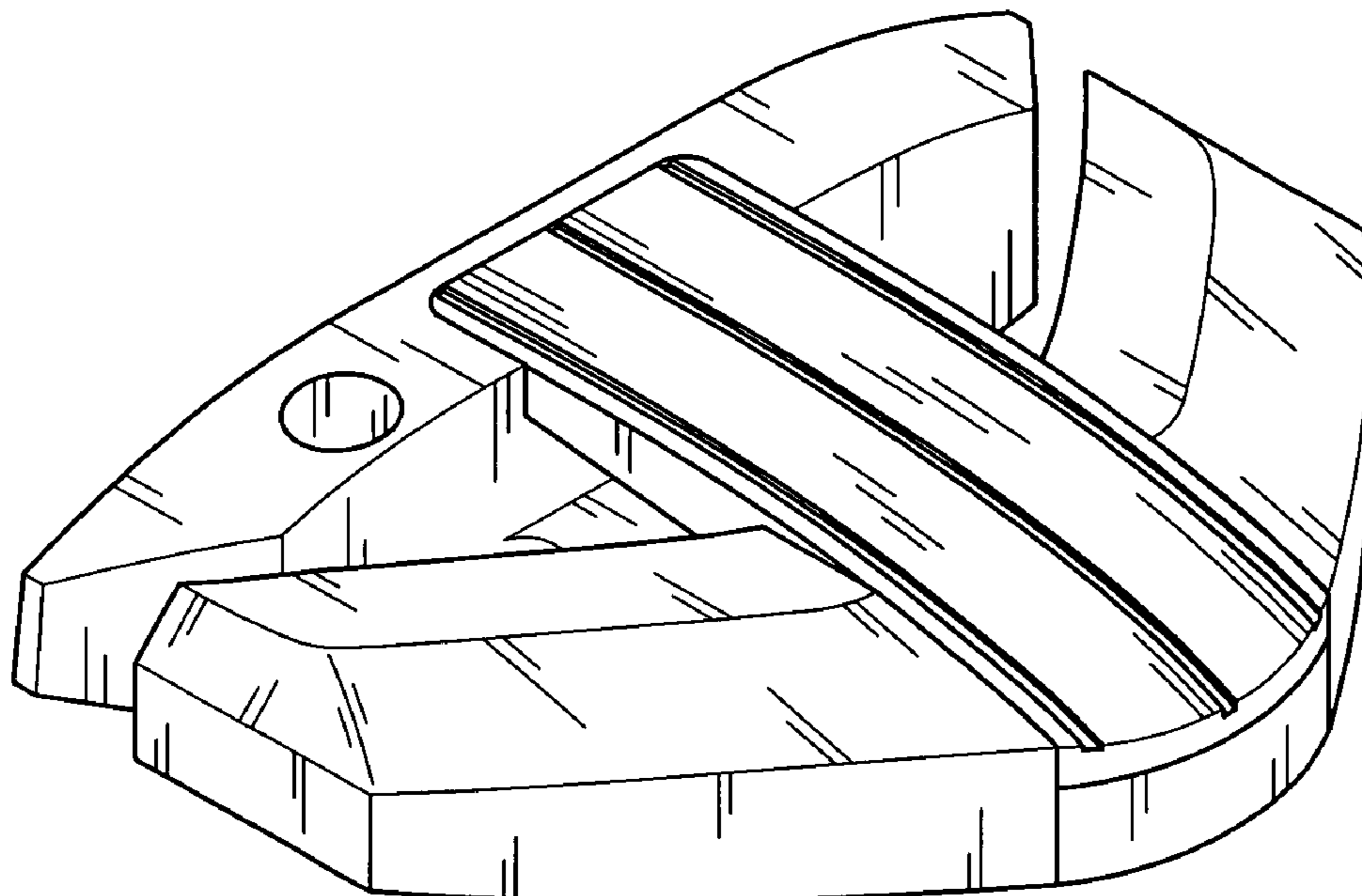


Fig. 1

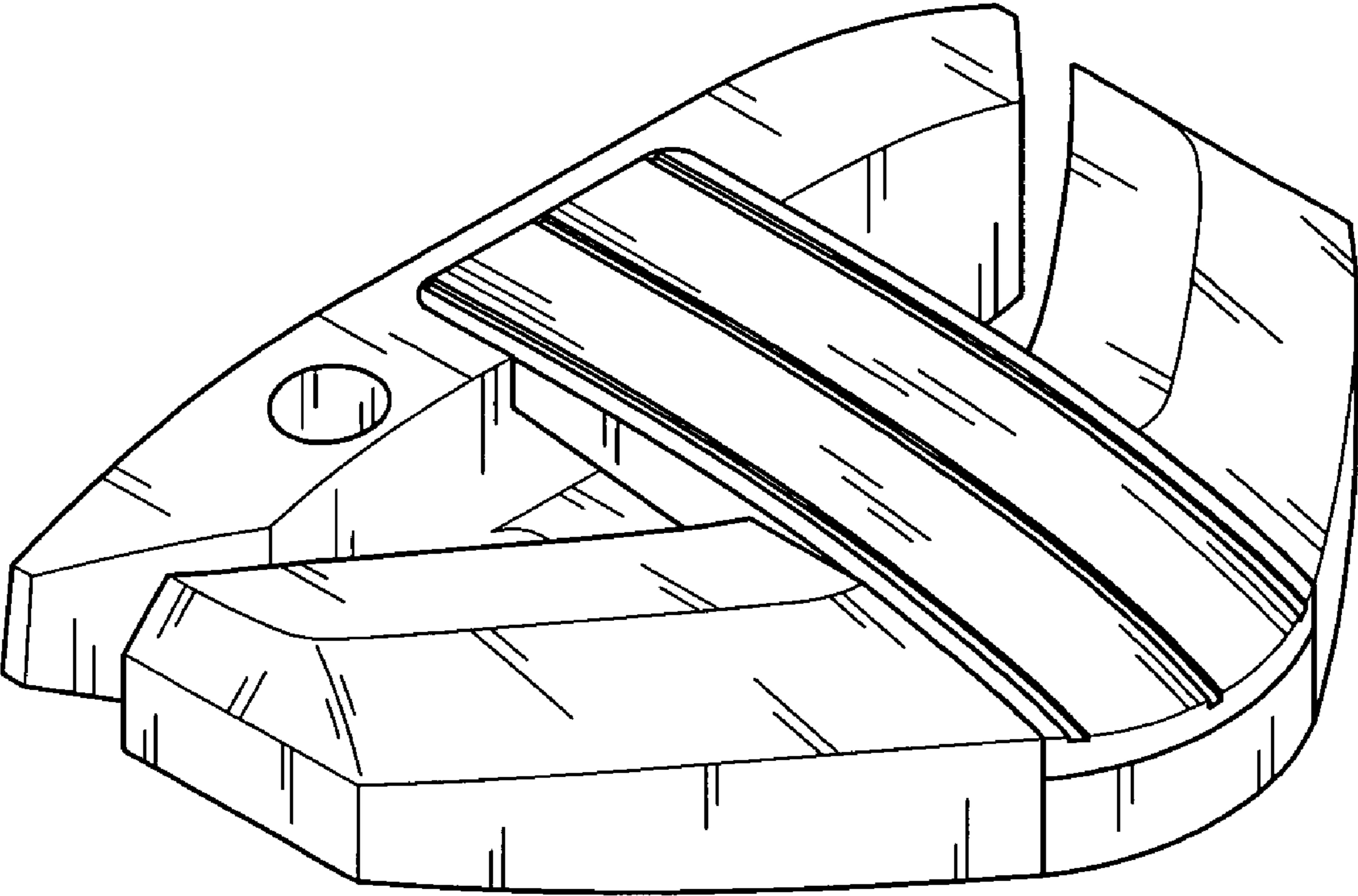


Fig.2

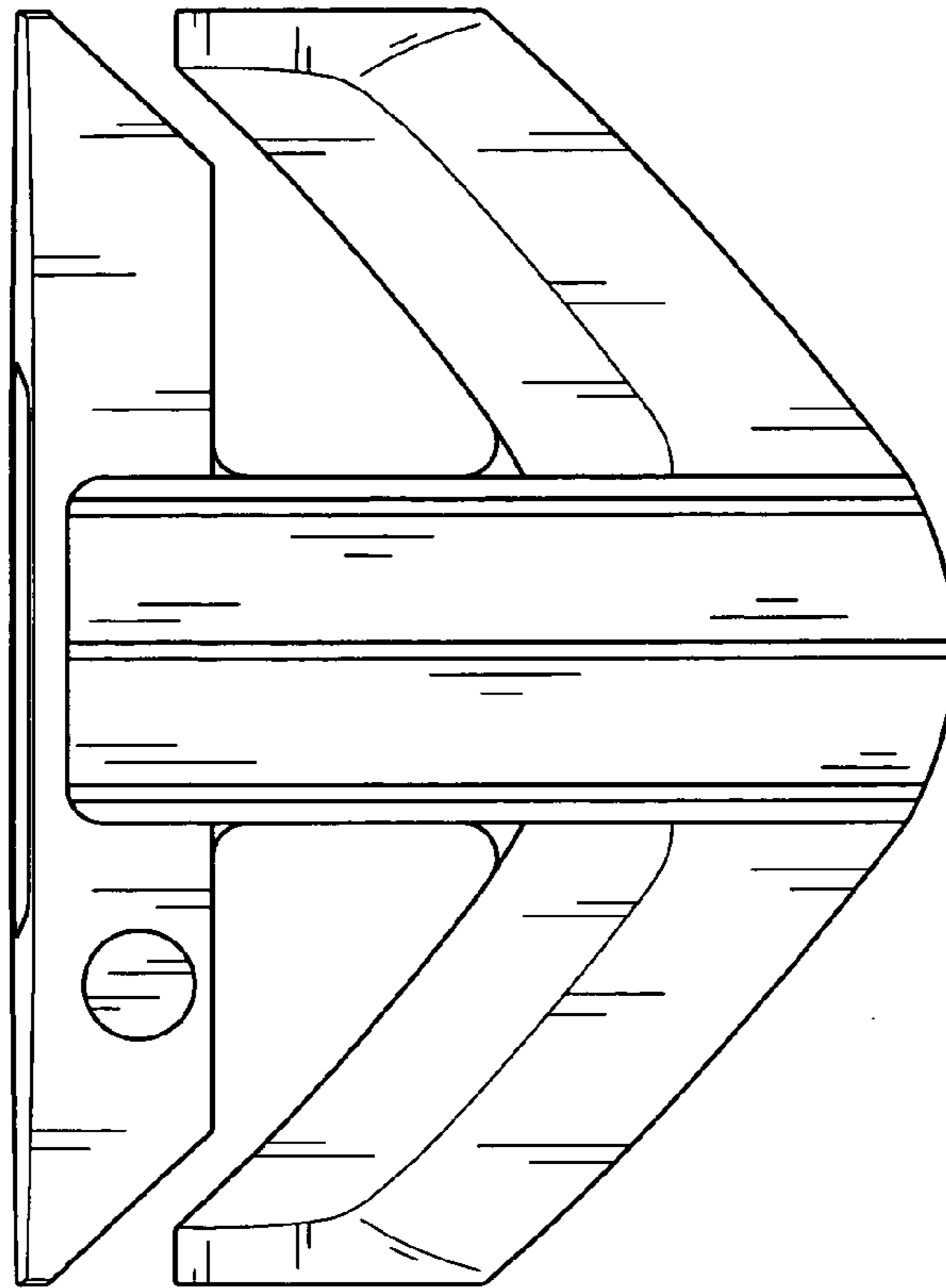


Fig.3

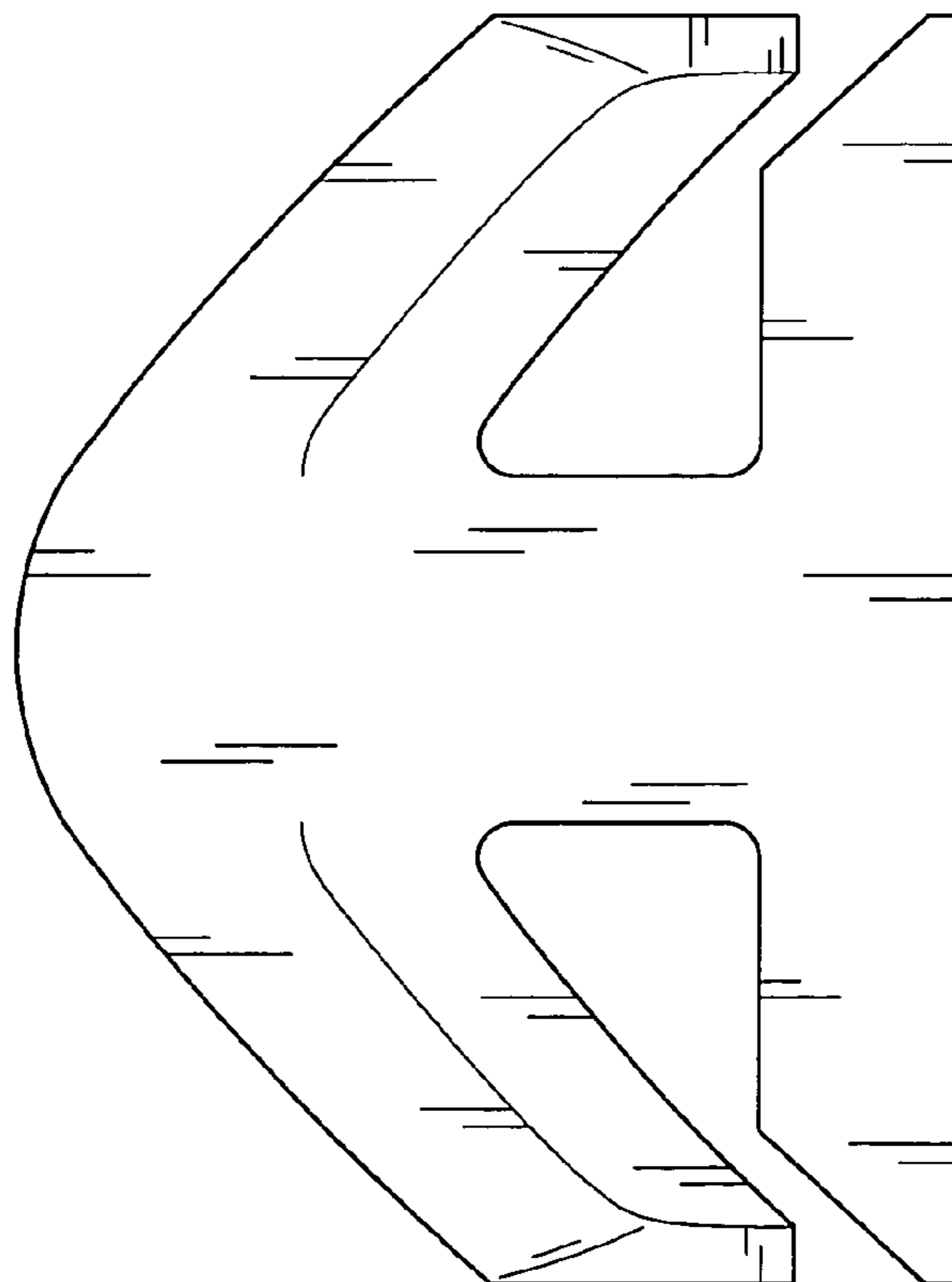


Fig.4

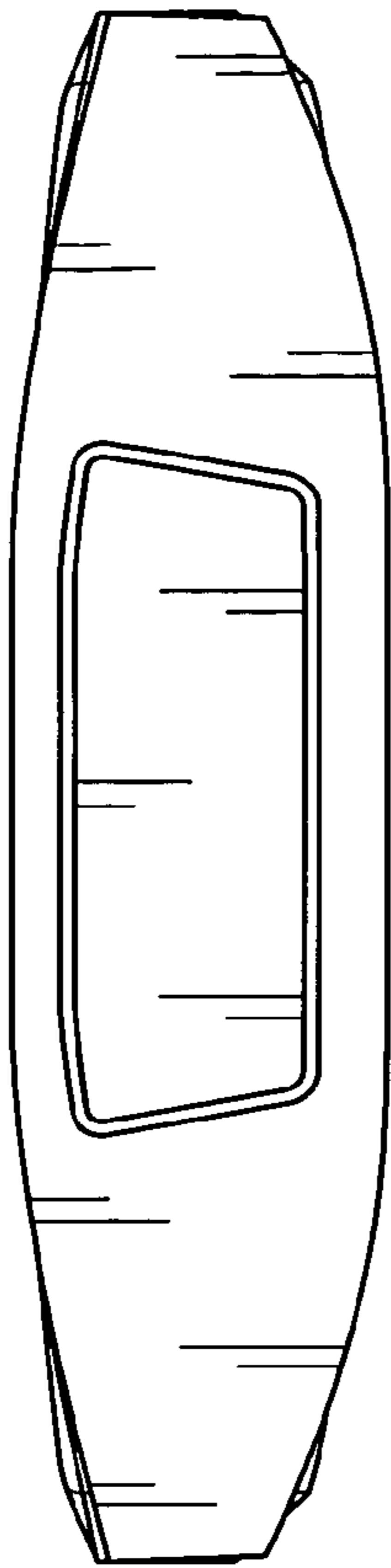


Fig.5

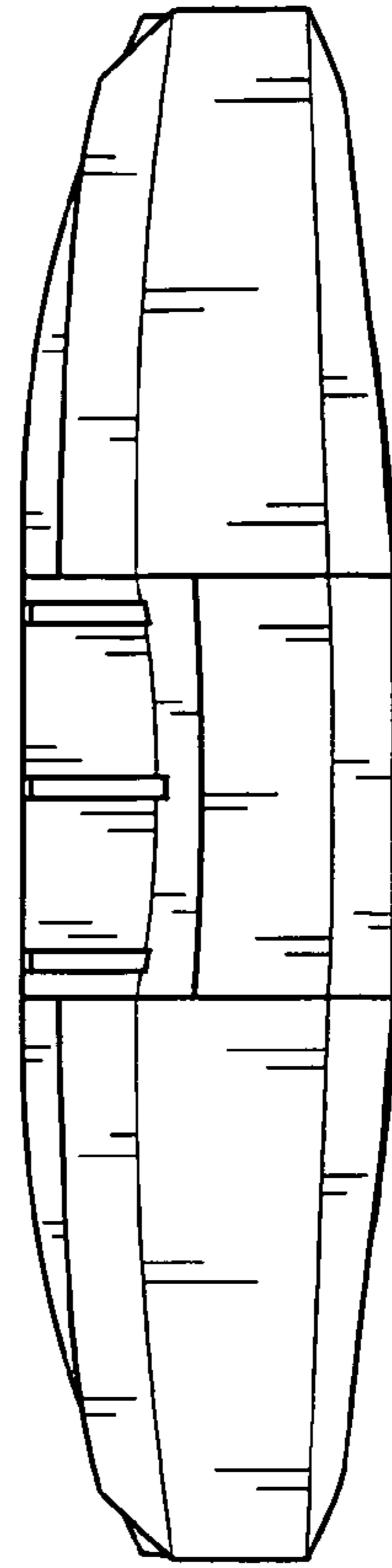


Fig.6

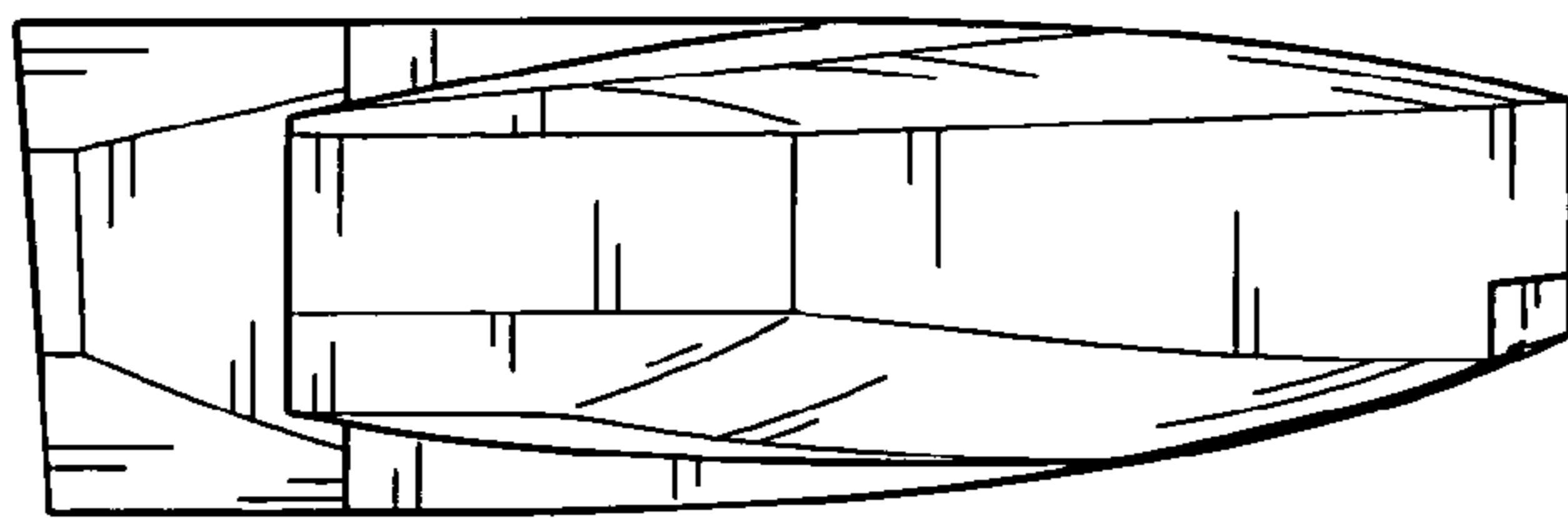


Fig.7

