



US00D594072S

(12) **United States Design Patent**
Horita

(10) **Patent No.:** **US D594,072 S**
(45) **Date of Patent:** **** Jun. 9, 2009**

(54) **SUPPORT FOR AN EXERCISE DEVICE**

D465,250 S * 11/2002 San-Ching D21/694
D559,925 S 1/2008 Horita D21/670
D567,315 S 4/2008 Horita D21/696

(75) Inventor: **Sean K. Horita**, Seattle, WA (US)

* cited by examiner

(73) Assignee: **Precor Incorporated**, Woodinville, WA (US)

Primary Examiner—Philip S Hyder

(74) *Attorney, Agent, or Firm*—Terence P. O'Brien

(**) Term: **14 Years**

(21) Appl. No.: **29/293,235**

(57) **CLAIM**

(22) Filed: **Nov. 9, 2007**

We claim the ornamental design for a support for an exercise device, as shown and described.

(51) **LOC (9) Cl.** **21-02**

(52) **U.S. Cl.** **D21/694**

(58) **Field of Classification Search** D21/663,
D21/667, 668, 669, 670, 694, 697; 482/51,
482/52, 54, 57, 70

See application file for complete search history.

DESCRIPTION

FIG. 1 is a rear side perspective view of a support for an exercise device;

FIG. 2 is a front side perspective view of the support of FIG. 1;

FIG. 3 is a first side view of the support of FIG. 1;

FIG. 4 is a second opposite side view of the support of FIG. 1;

FIG. 5 is a rear view of the support of FIG. 1;

FIG. 6 is a front view of the support of FIG. 1;

FIG. 7 is a top view of the support of FIG. 1; and,

FIG. 8 is a bottom view of the support of FIG. 1.

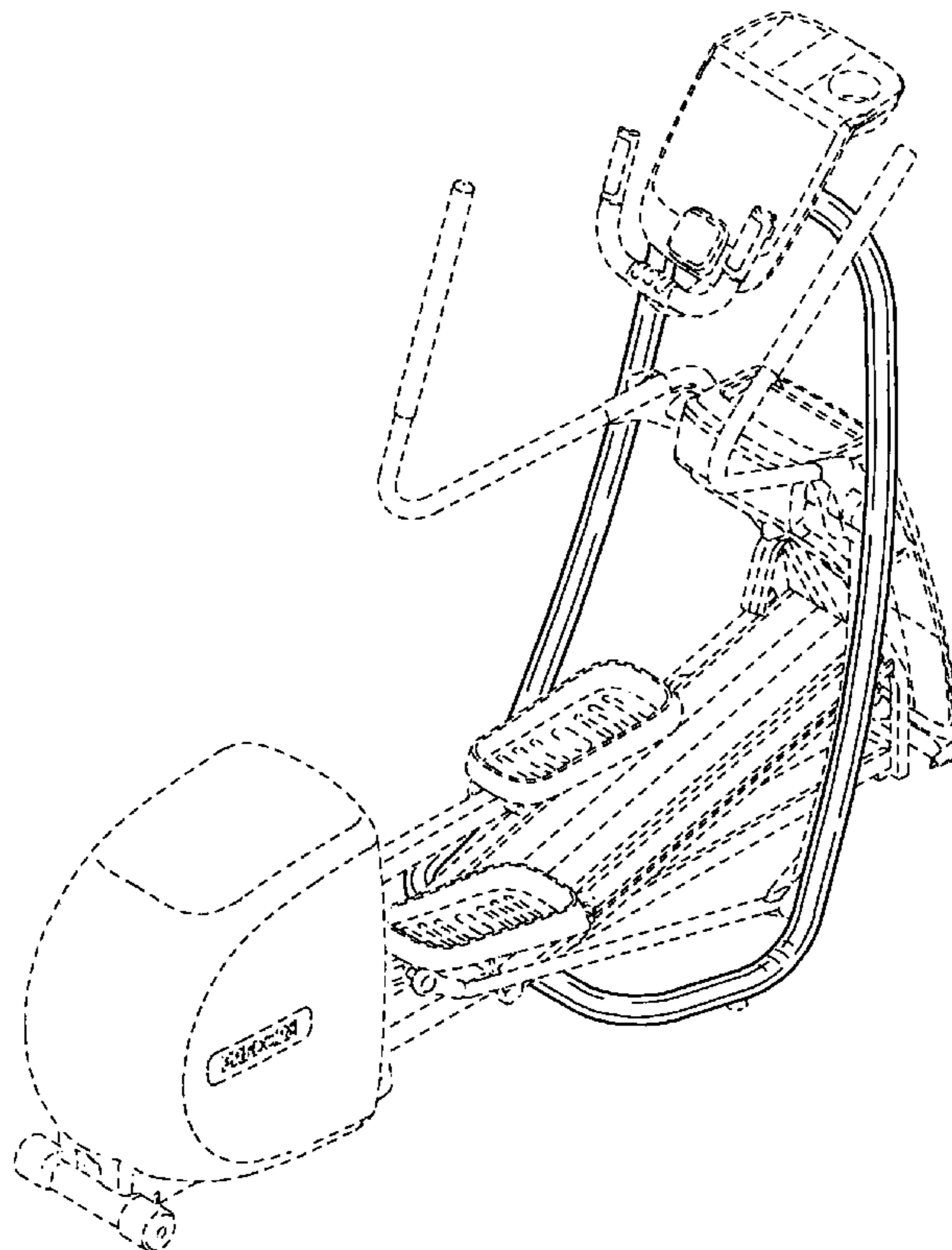
The ornamental design that is claimed is shown in solid lines in the drawings. The broken (dashed) lines shown in the drawings are included for the purpose of illustrating environmental elements only and form no part of the claimed design.

(56) **References Cited**

U.S. PATENT DOCUMENTS

5,857,942	A *	1/1999	Moon et al.	482/54
D405,852	S *	2/1999	McBride	D21/670
D408,477	S	4/1999	Arnold et al.	D21/668
D410,978	S *	6/1999	Littrell et al.	D21/668
6,063,008	A *	5/2000	McBride et al.	482/52
D429,781	S *	8/2000	Arnold et al.	D21/668
D449,356	S *	10/2001	Arnold et al.	D21/668
D450,792	S *	11/2001	Kuo	D21/669
D464,688	S *	10/2002	May et al.	D21/668
D464,689	S *	10/2002	May et al.	D21/668
D465,000	S *	10/2002	Arnold et al.	D21/668

1 Claim, 6 Drawing Sheets



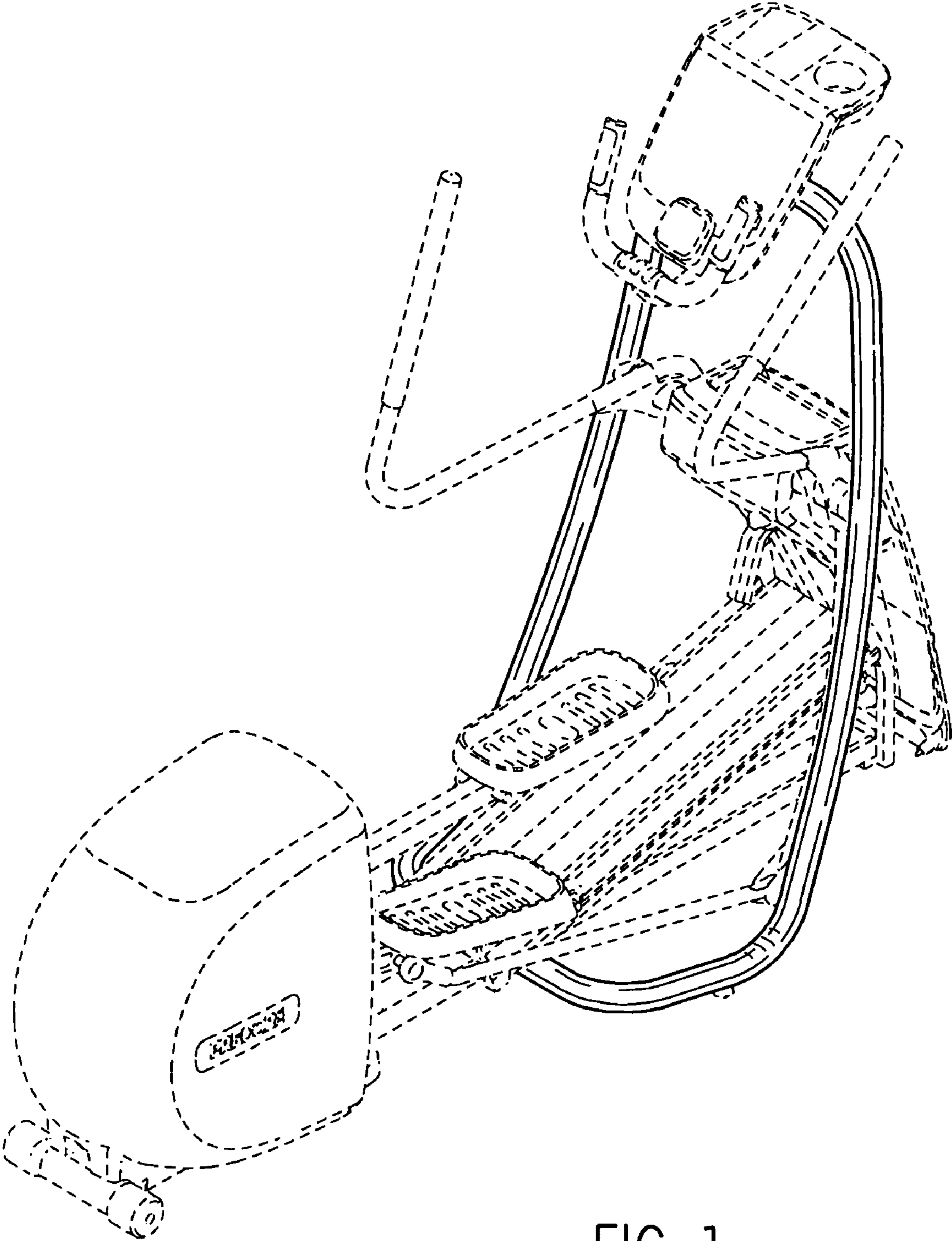


FIG. 1

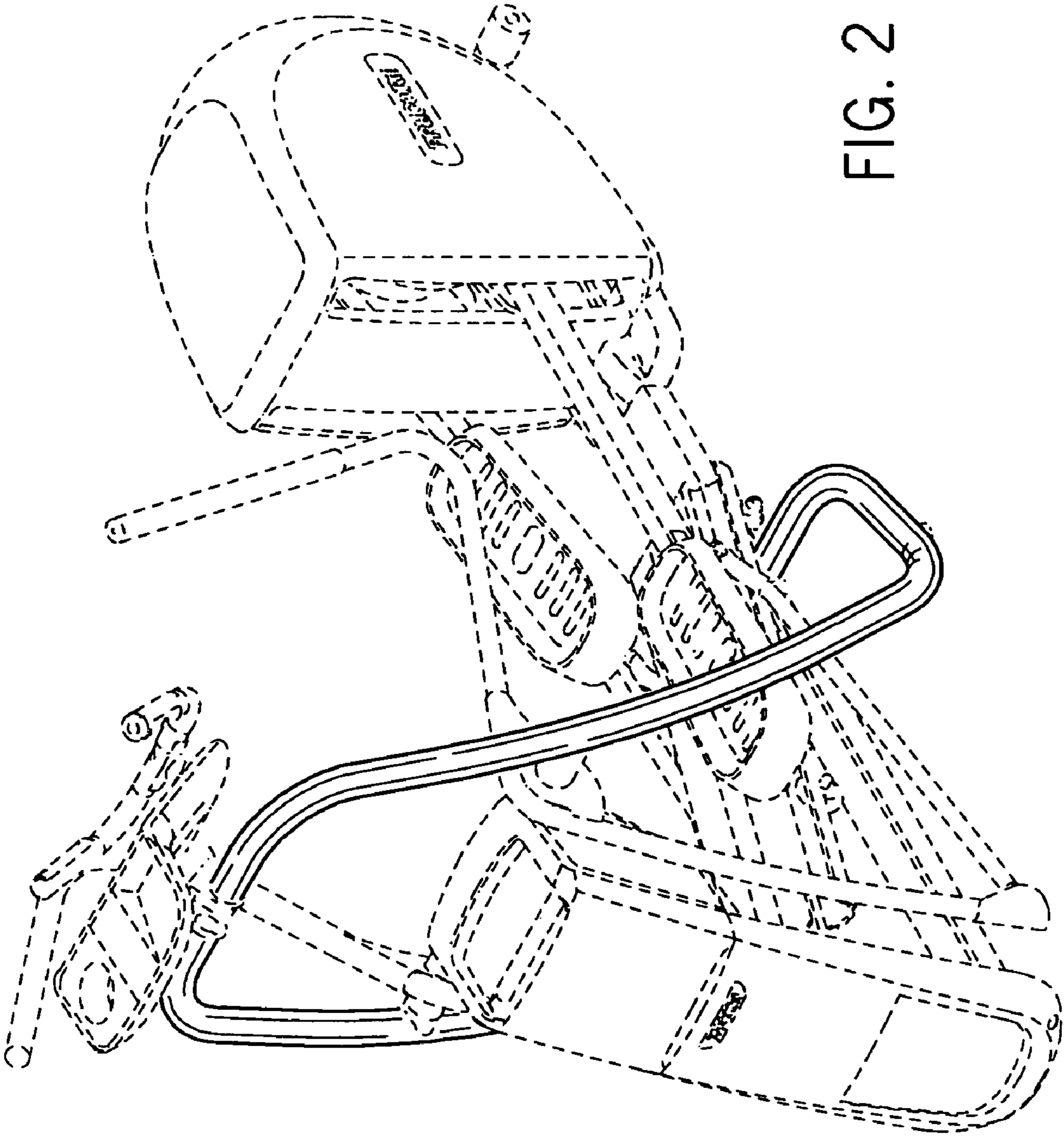
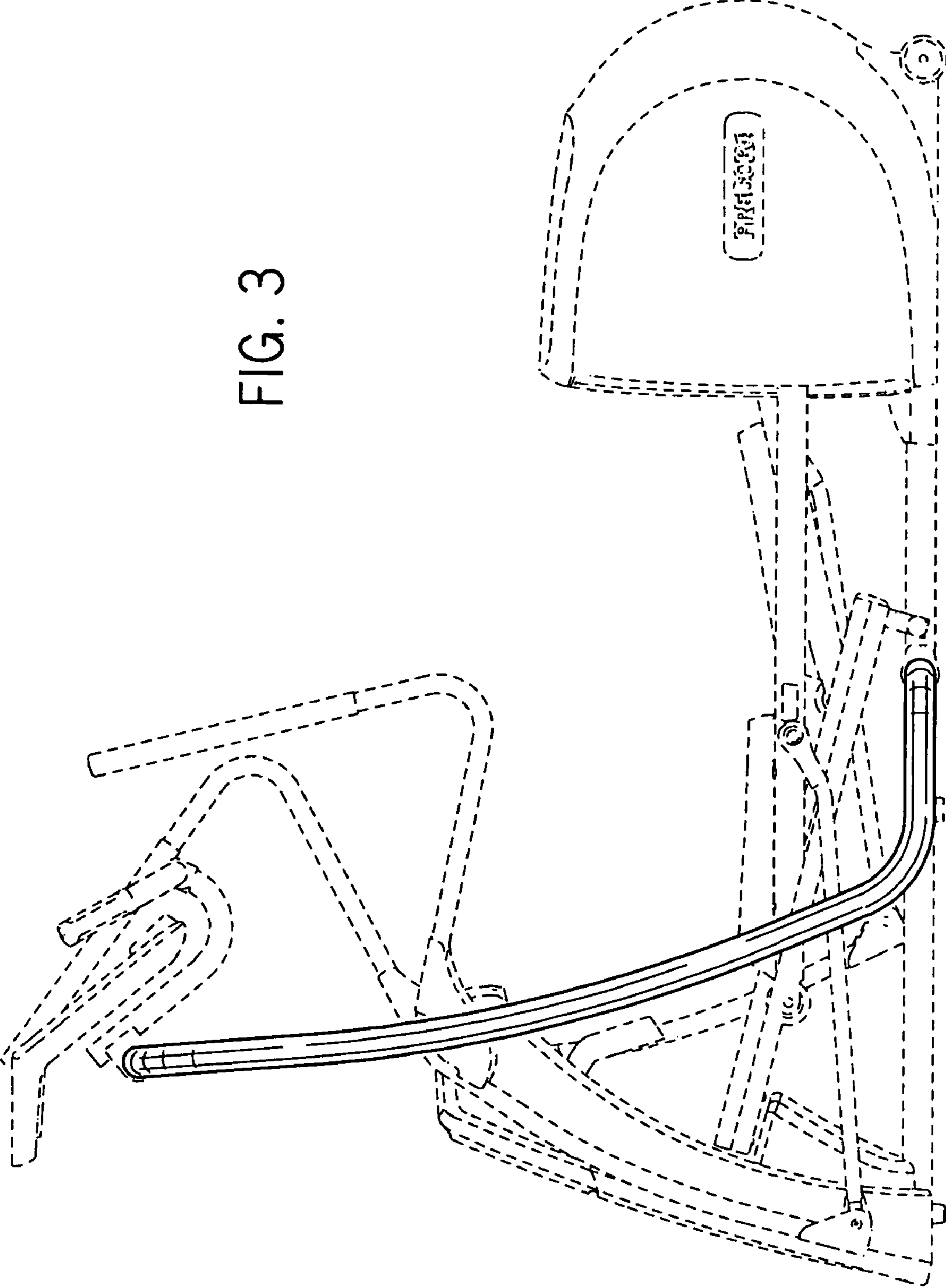


FIG. 2

FIG. 3



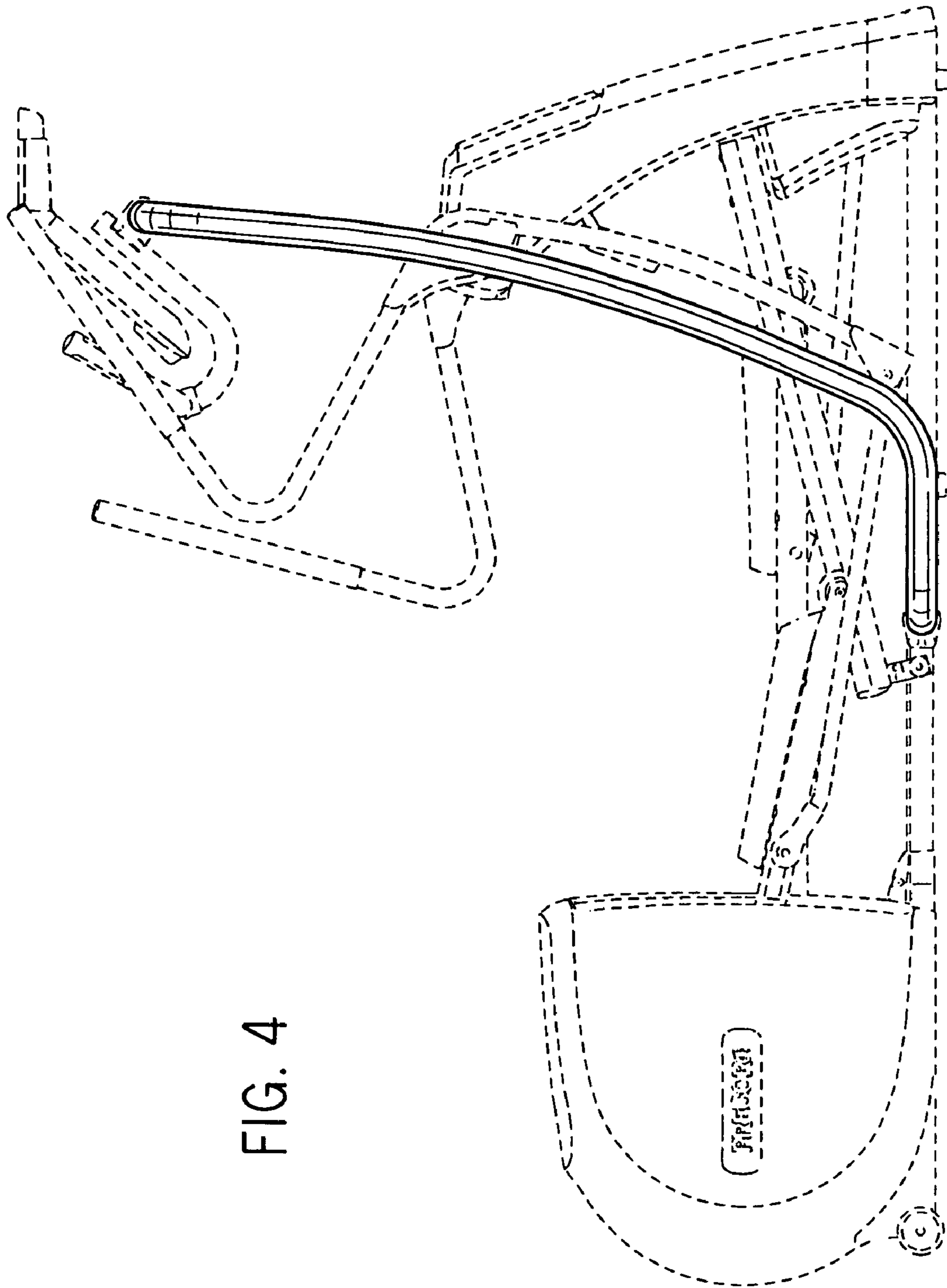


FIG. 4

FIG. 6

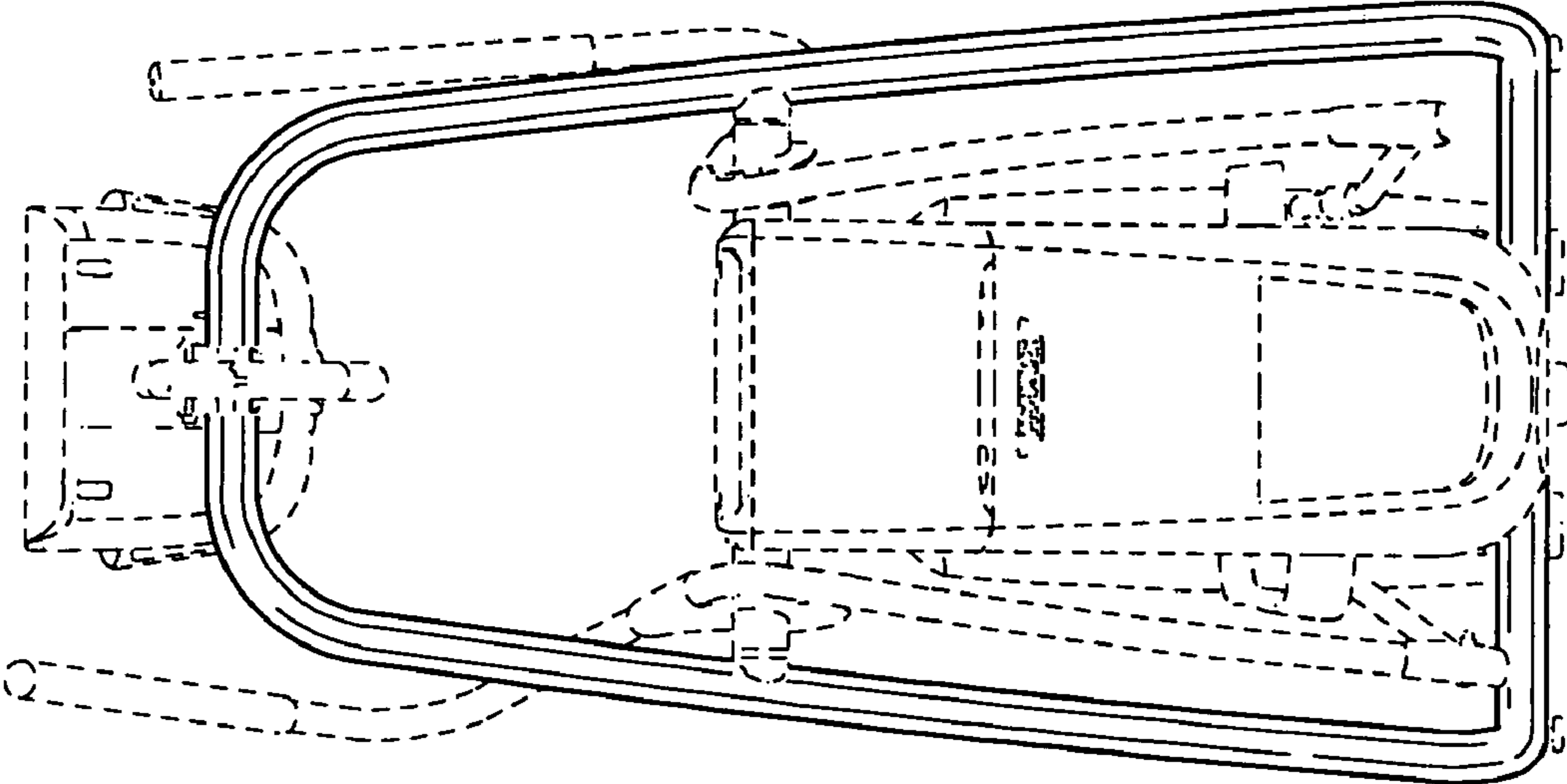
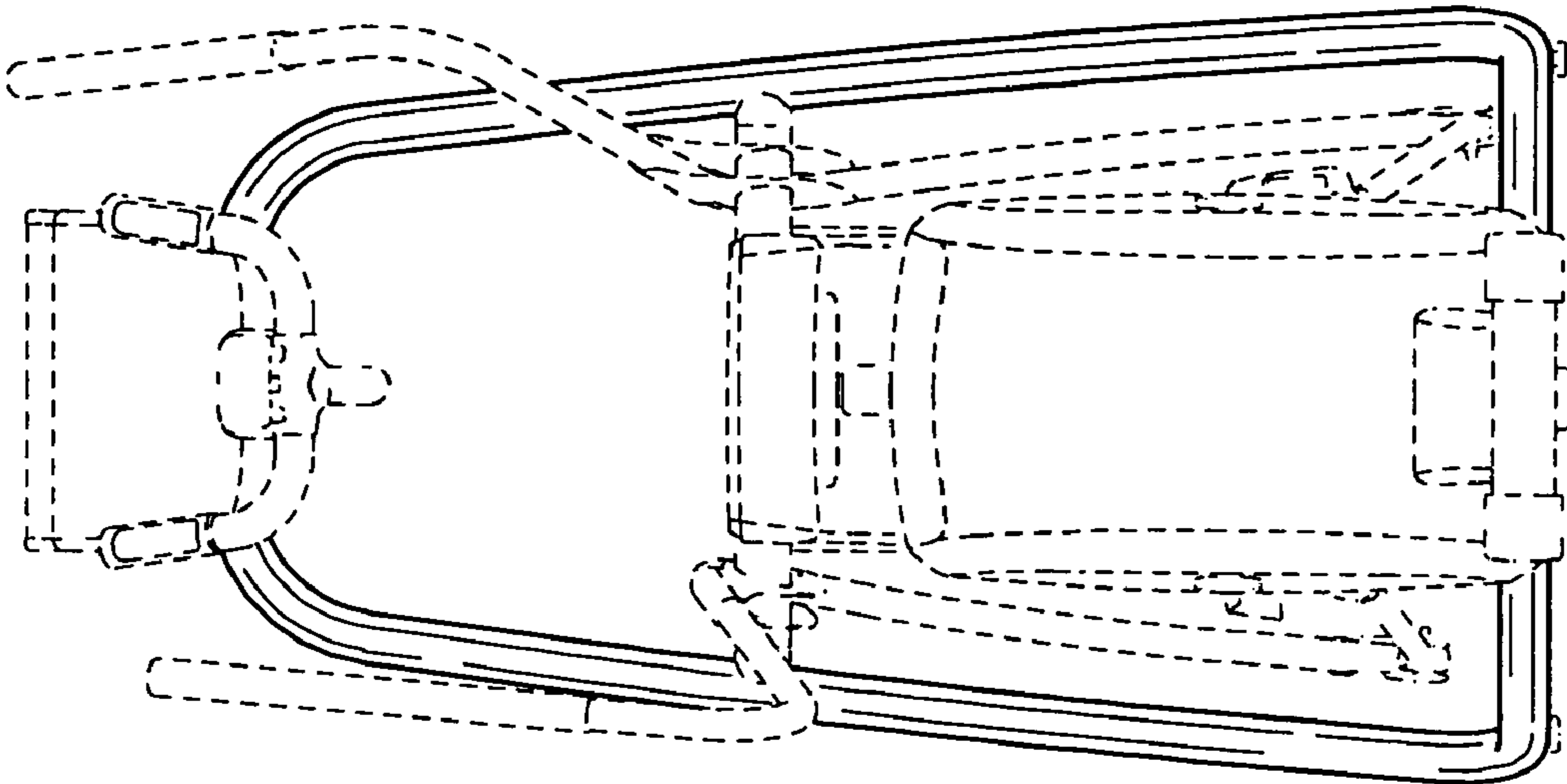


FIG. 5



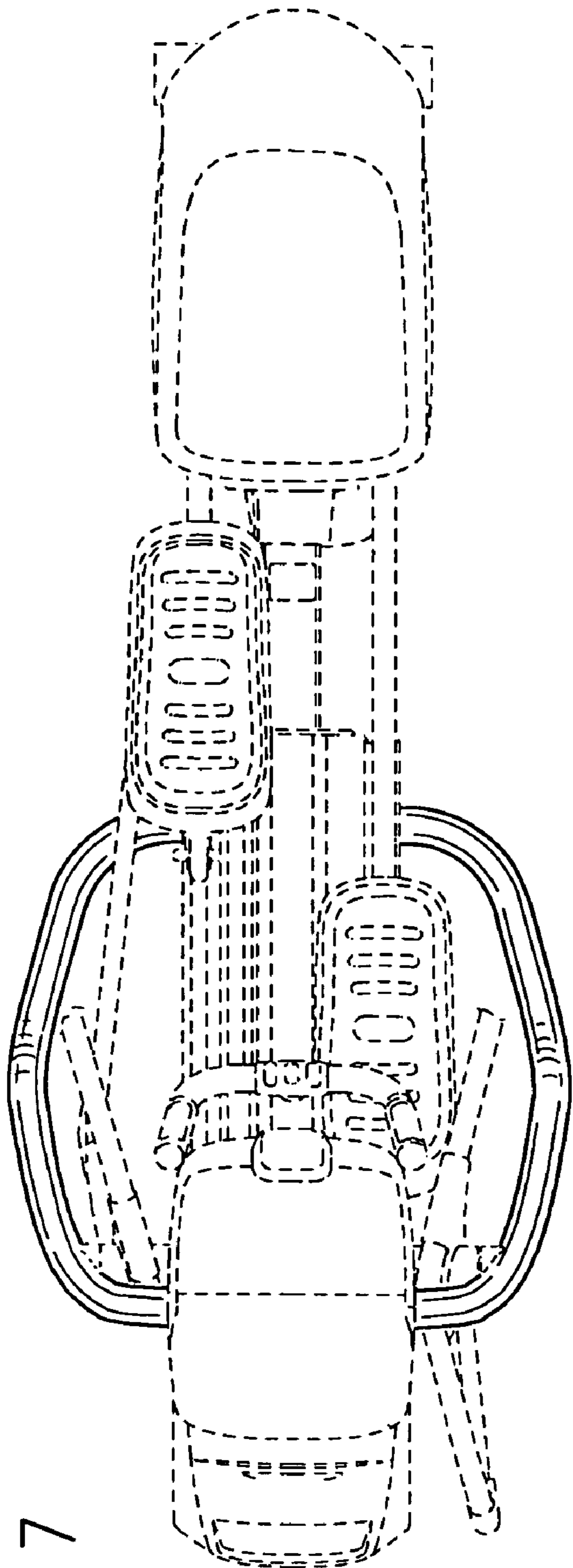


FIG. 7

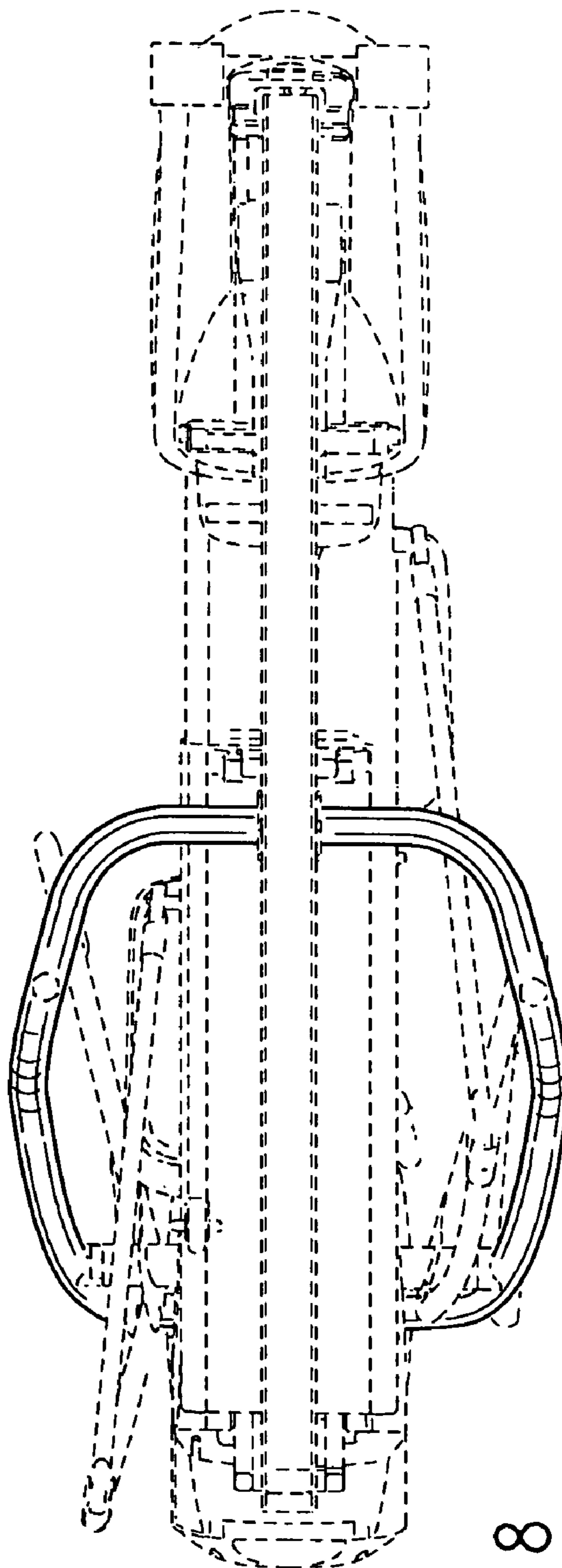


FIG. 8