



US00D594069S

(12) **United States Design Patent**  
**Schlegel et al.**

(10) **Patent No.:** **US D594,069 S**  
(45) **Date of Patent:** **\*\* Jun. 9, 2009**

(54) **WAGON**

(75) Inventors: **Thomas Schlegel**, Wheaton, IL (US);  
**Timothy Seckel**, Streamwood, IL (US);  
**Todd Herlitz**, Chicago, IL (US)

(73) Assignee: **Radio Flyer Inc.**, Chicago, IL (US)

(\*\*) Term: **14 Years**

(21) Appl. No.: **29/320,874**

(22) Filed: **Jul. 7, 2008**

(51) **LOC (9) Cl.** ..... **21-01**

(52) **U.S. Cl.** ..... **D21/425**

(58) **Field of Classification Search** ..... D21/419,  
D21/424-426, 534-536; D12/17, 19, 20,  
D12/102, 105, 129; D34/12; 280/87.01,  
280/87.021, 87.043, 47.17, 47.25, 47.34,  
280/47.38, 47.4, 204, 651

See application file for complete search history.

(56) **References Cited**

**U.S. PATENT DOCUMENTS**

D372,942 S \* 8/1996 Fish, Jr. .... D21/536  
D389,877 S \* 1/1998 Pasin ..... D21/425

5,957,482 A \* 9/1999 Shorter ..... 280/639  
D458,648 S \* 6/2002 Chiappetta et al. .... D21/425  
6,499,750 B1 \* 12/2002 Michelau ..... 280/87.01  
6,641,149 B2 \* 11/2003 Chiappetta et al. .... 280/87.01  
6,871,863 B2 \* 3/2005 Michelau ..... 280/87.01

\* cited by examiner

*Primary Examiner*—Holly H Baynham

*Assistant Examiner*—Cynthia M Chin

(74) *Attorney, Agent, or Firm*—DLA Piper LLP (US); R. Blake Johnston

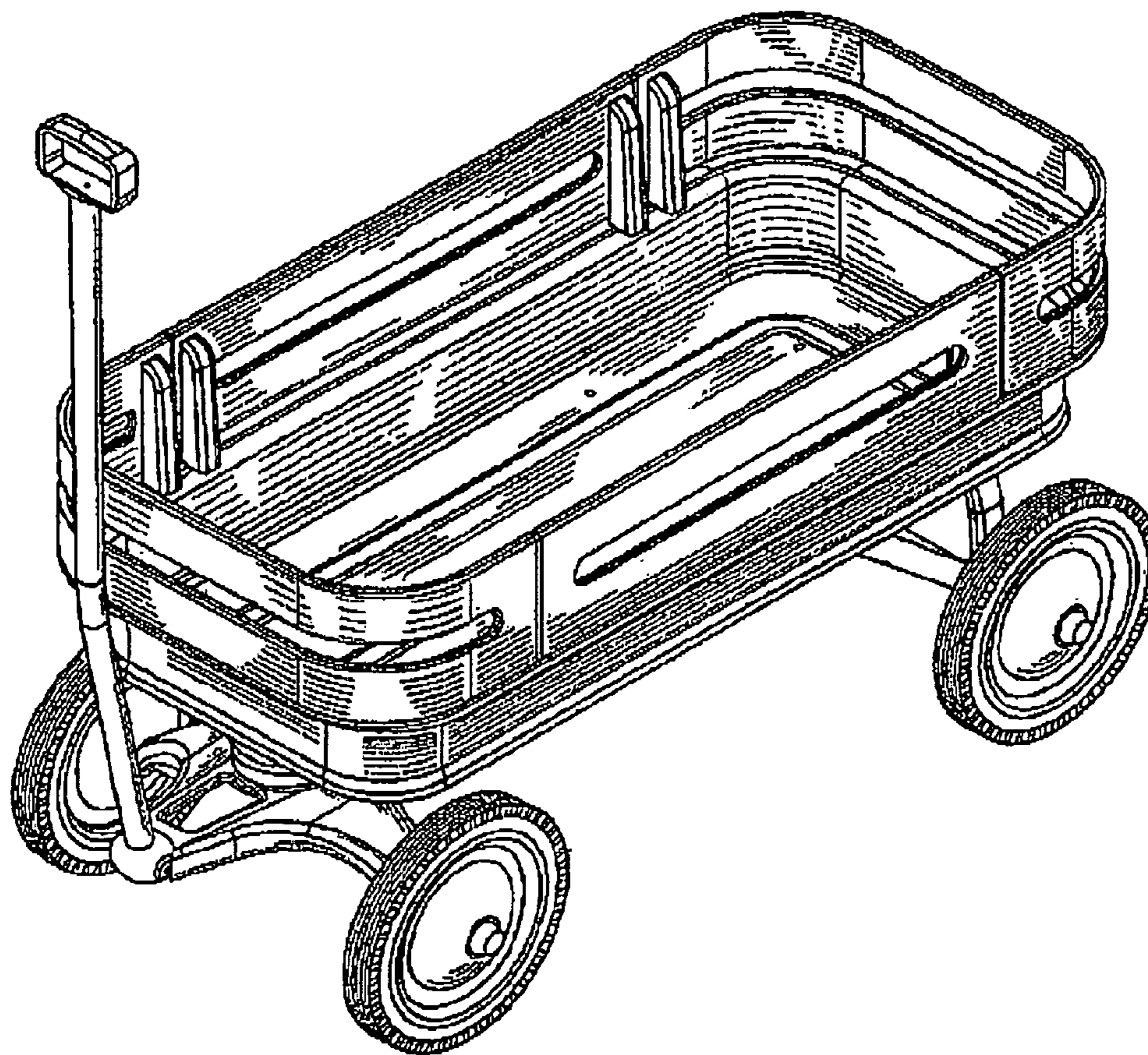
(57) **CLAIM**

The ornamental design for a wagon, as shown and described.

**DESCRIPTION**

FIG. 1 is a front perspective view of the wagon;  
FIG. 2 is a rear elevational view of the wagon;  
FIG. 3 is a front elevational view of the wagon;  
FIG. 4 is a top plan view of the wagon;  
FIG. 5 is a bottom plan view of the wagon; and,  
FIG. 6 is a left side elevational view of the wagon, the right side elevational view being a mirror image thereof.

**1 Claim, 4 Drawing Sheets**



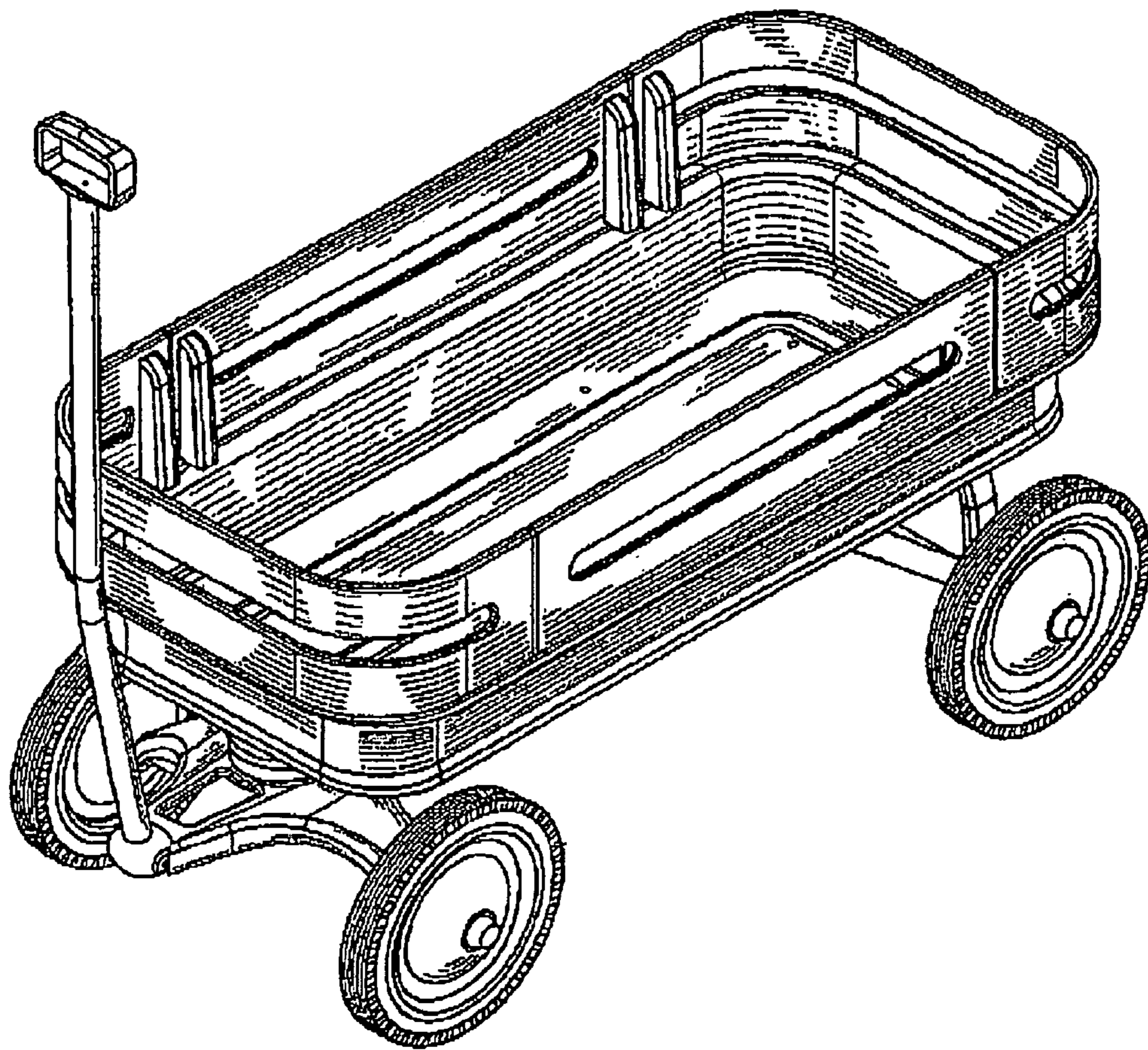


FIG. 1

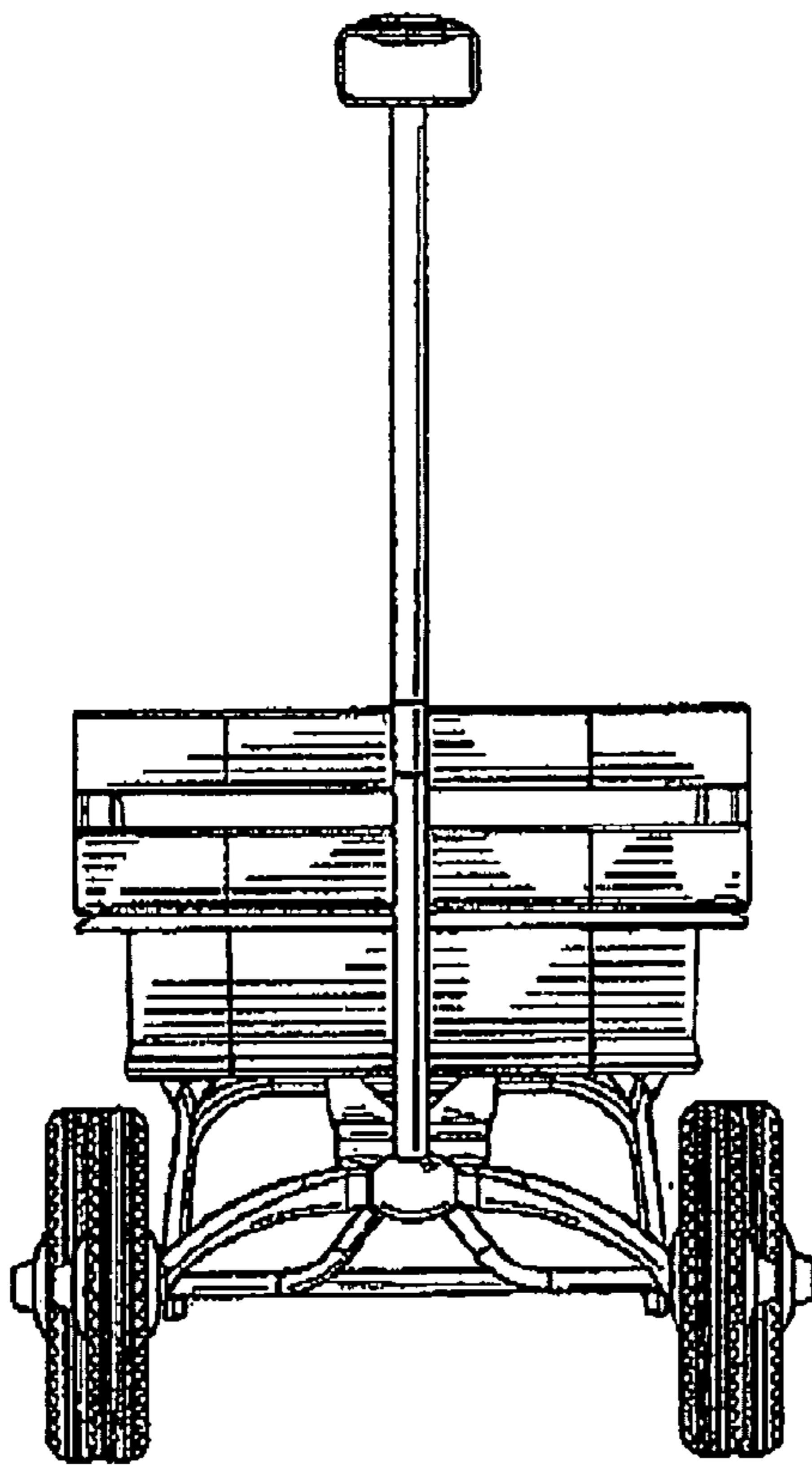


FIG. 2

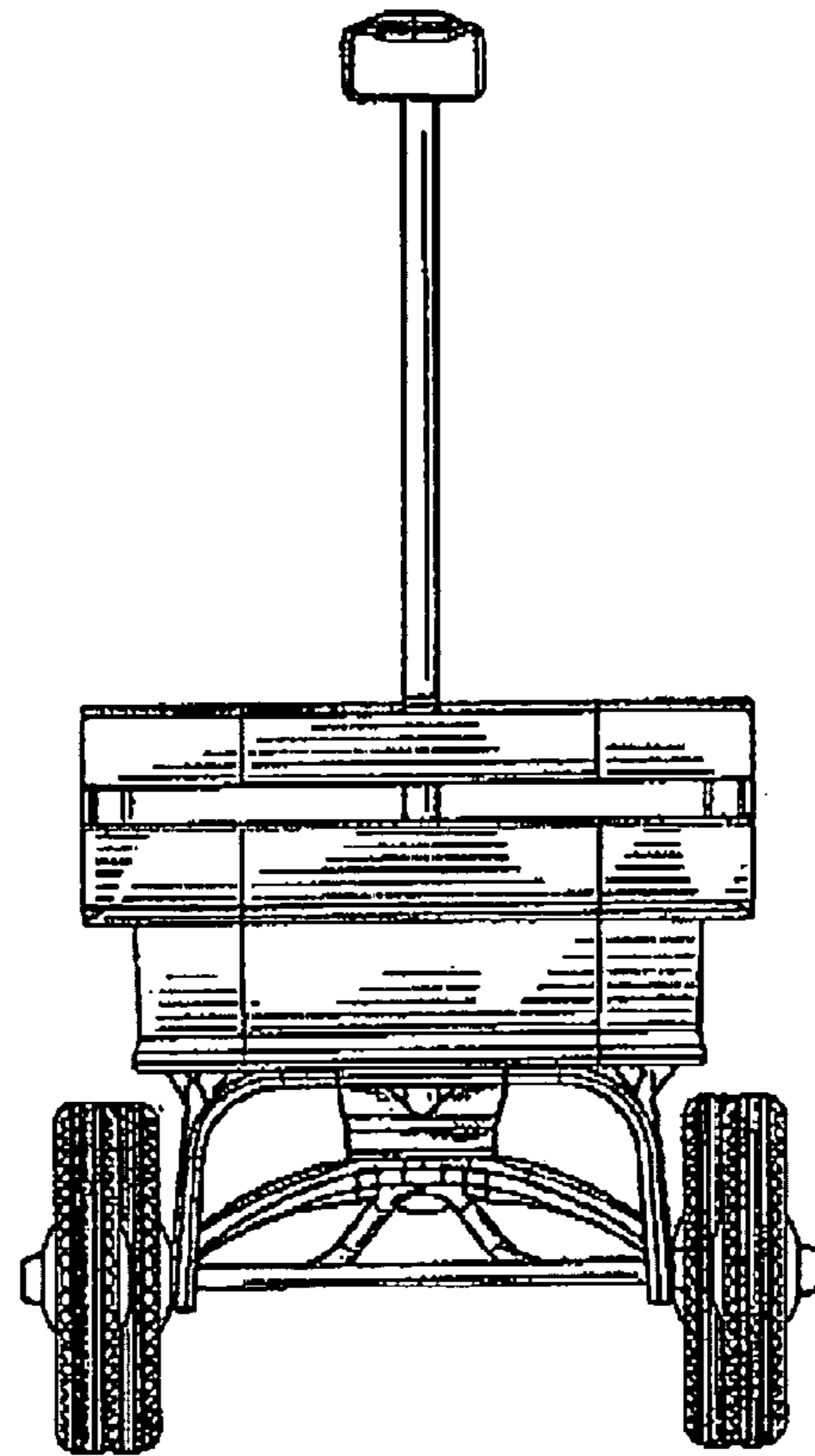


FIG. 3

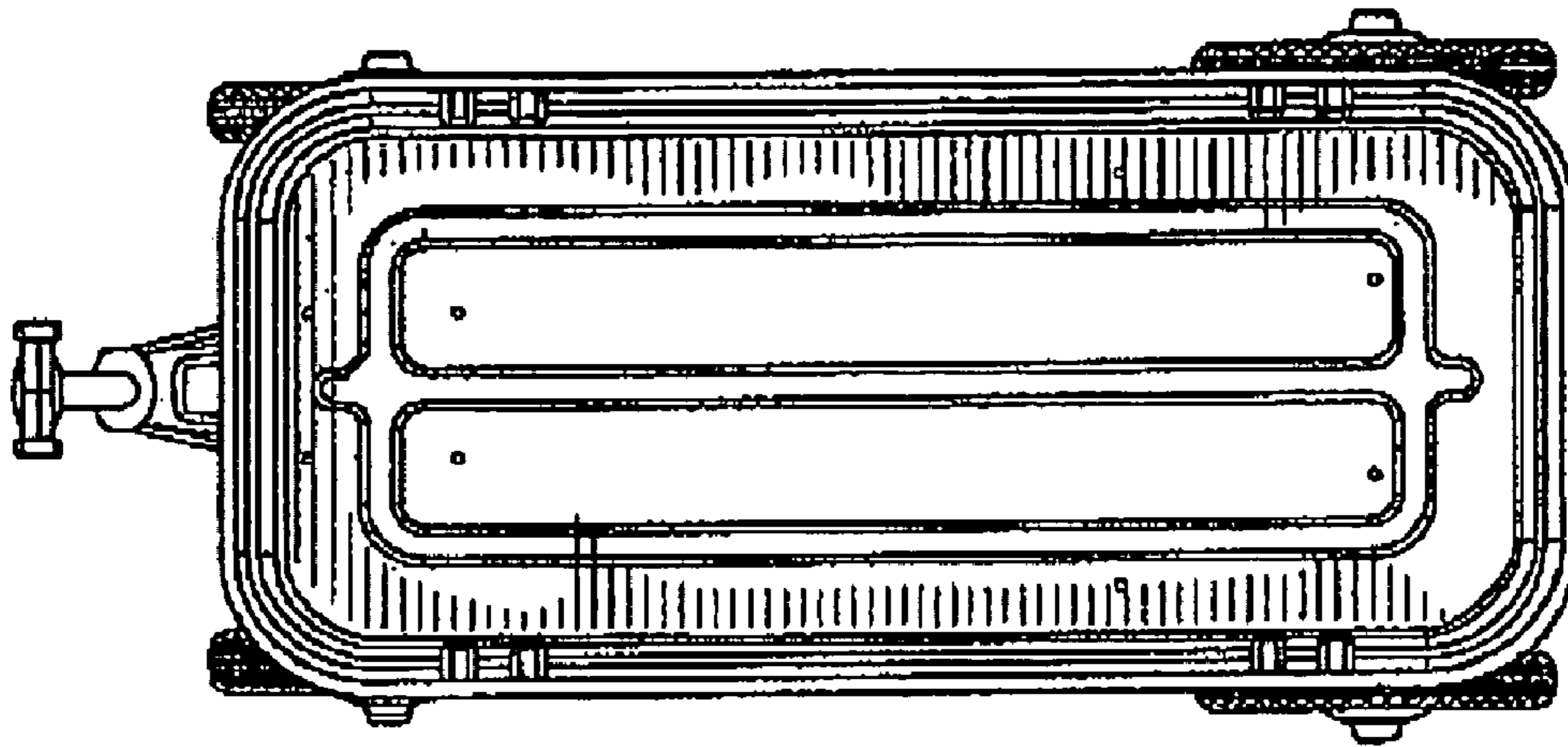


FIG. 4

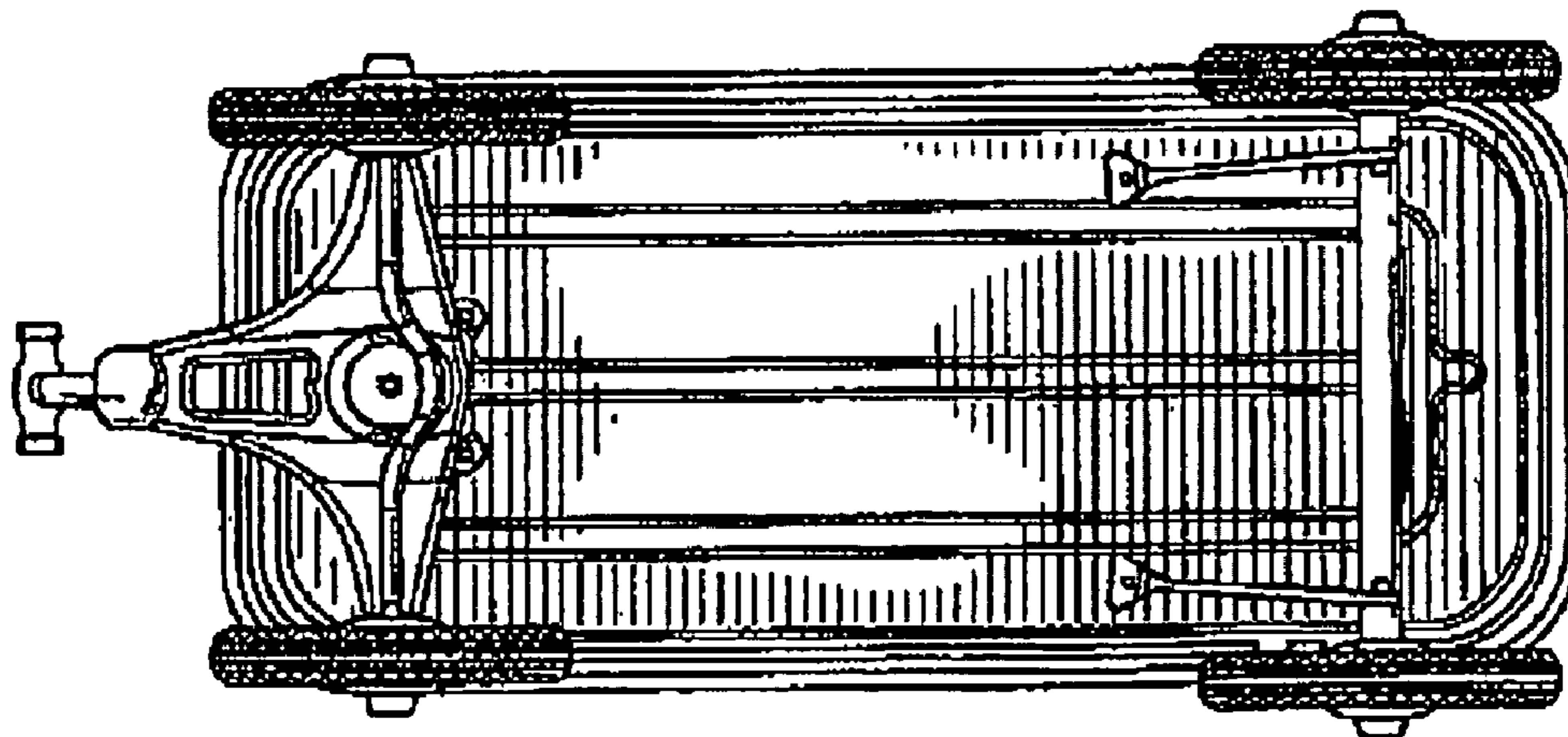


FIG. 5

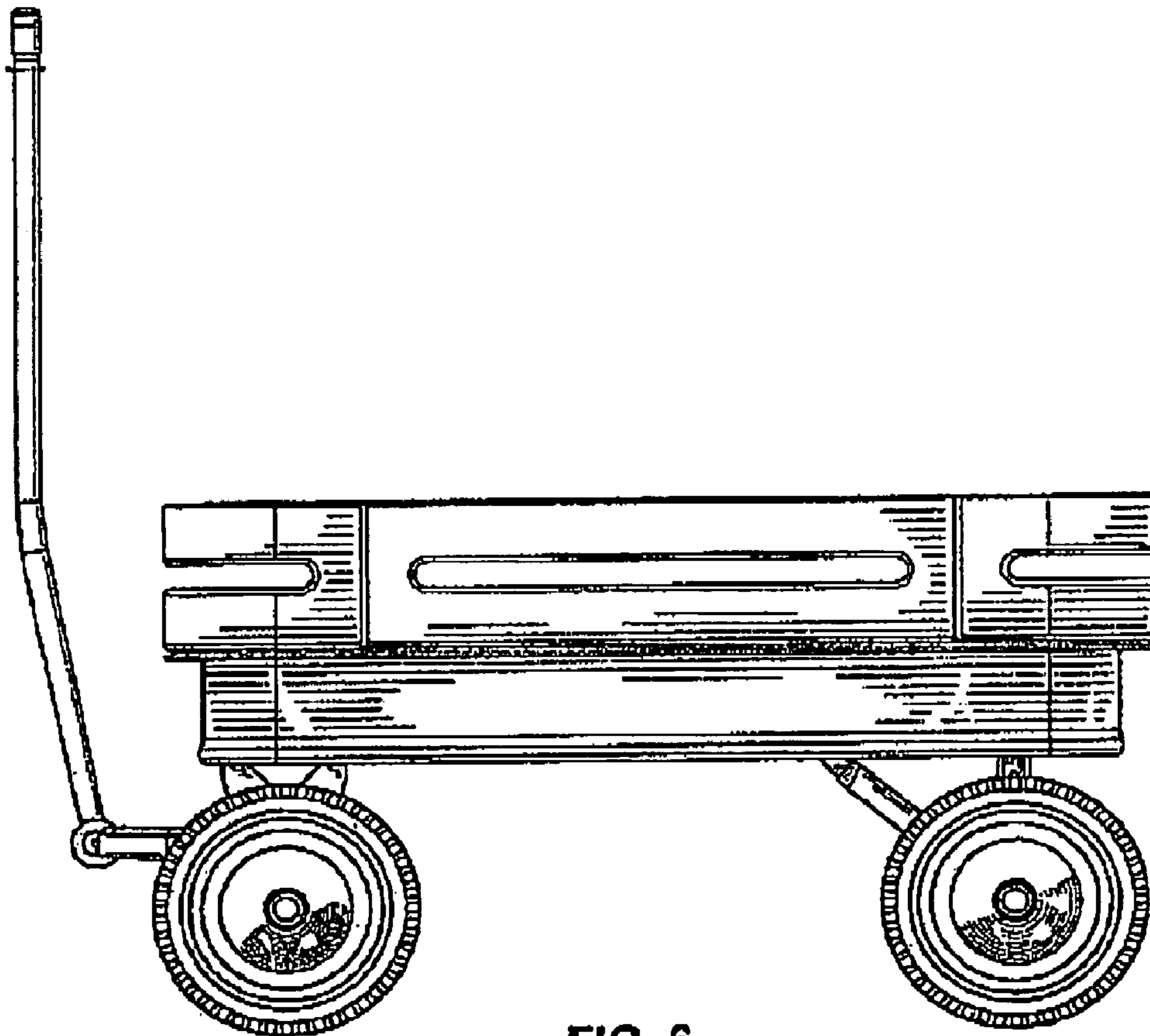


FIG. 6