

US00D594064S

(12) **United States Design Patent**
Goodman et al.

(10) **Patent No.:** **US D594,064 S**
(45) **Date of Patent:** **** Jun. 9, 2009**

(54) **SINGLE TIER LETTER HOLDER**

(75) Inventors: **Sheldon H. Goodman**, Solon, OH (US);
Omer I. Sazir, Cleveland, OH (US)

(73) Assignee: **Spectrum Diversified Designs, Inc.**,
Streetsboro, OH (US)

(**) Term: **14 Years**

(21) Appl. No.: **29/306,080**

(22) Filed: **Apr. 2, 2008**

(51) **LOC (9) Cl.** **19-02**

(52) **U.S. Cl.** **D19/90**

(58) **Field of Classification Search** D3/306;
D6/512, 513, 514, 525, 566, 569; D7/600.1,
D7/600.3, 600.4, 701, 704; D19/75, 78,
D19/86, 90, 91, 100; 211/90.03, 106, 112,
211/126.8, 126.9, 126.11, 126.12, 126.13,
211/181.1; 248/302, 441.1, 450, 465.1
See application file for complete search history.

(56) **References Cited**

U.S. PATENT DOCUMENTS

D357,403 S * 4/1995 Goodman et al. D8/372
D367,592 S * 3/1996 Newport D7/701
D368,402 S * 4/1996 Emery et al. D6/525
D397,898 S * 9/1998 Walters-Dowding et al. . D6/574

D421,382 S * 3/2000 Abdi D8/372
D452,533 S * 12/2001 Goodman et al. D19/90
D568,116 S * 5/2008 Goodman et al. D7/600.4

* cited by examiner

Primary Examiner—Elizabeth A Albert
Assistant Examiner—Karen E. Eldridge Powers
(74) *Attorney, Agent, or Firm*—Pearne & Gordon LLP

(57) **CLAIM**

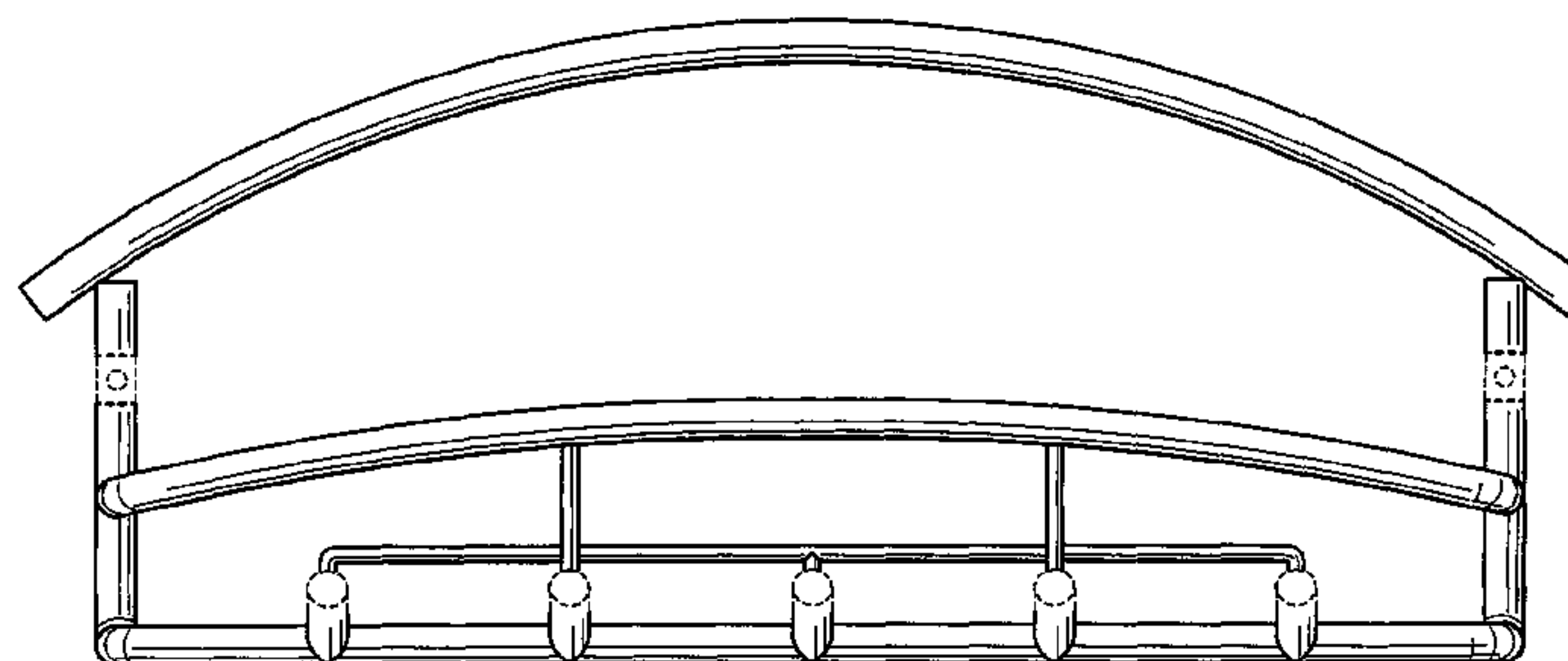
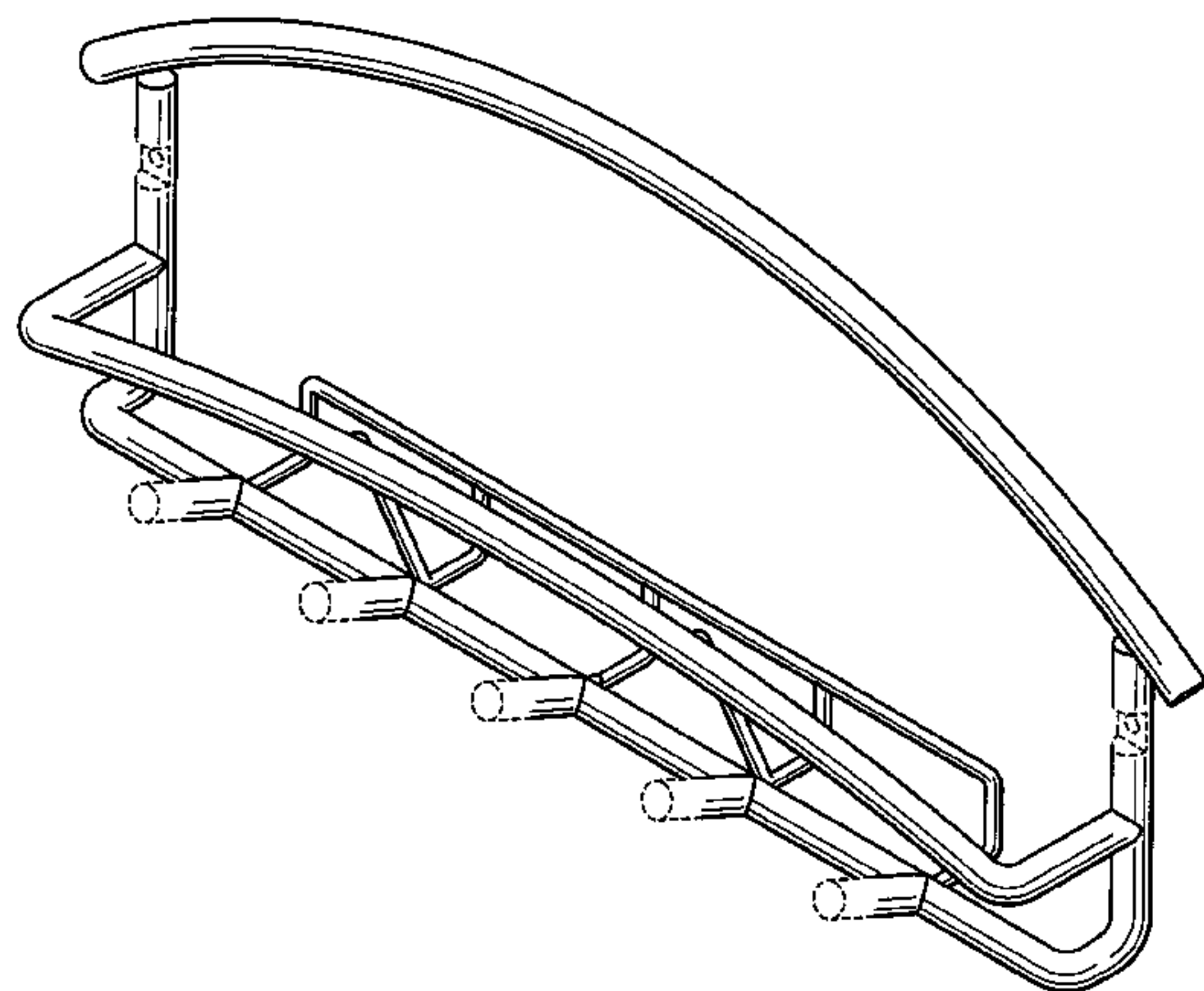
The ornamental design for a single tier letter holder, as shown and described.

DESCRIPTION

FIG. 1 is a perspective view of a single tier letter holder, showing our new design;
FIG. 2 is a front elevational view thereof;
FIG. 3 is a side elevational view thereof;
FIG. 4 is a top plan view thereof; and,
FIG. 5 is a bottom plan view thereof.

The broken line showing in the drawings of five partial cylindrical segments on the bottom-most horizontal wire, as well as the screw-hole indentations on the vertical members, illustrate environmental matter and form no part of the claimed design.

1 Claim, 3 Drawing Sheets



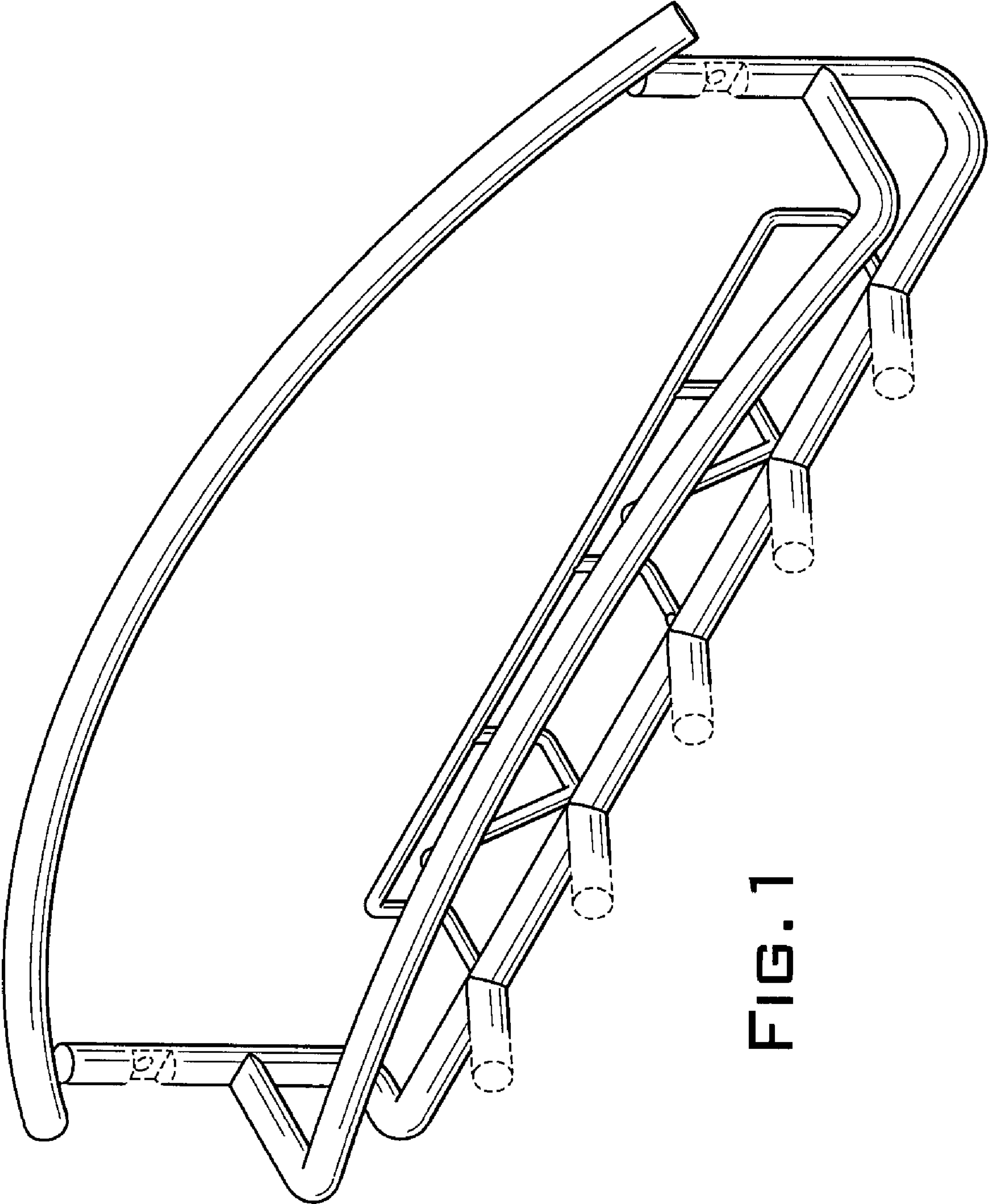


FIG. 1

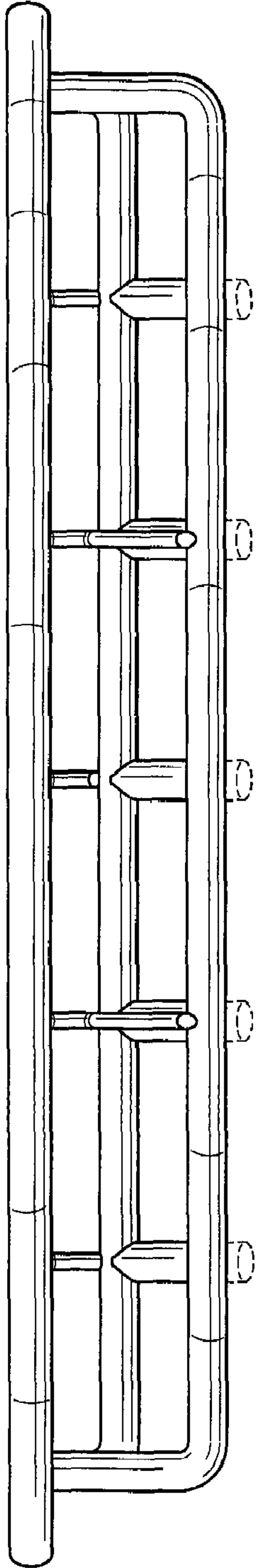


FIG. 4

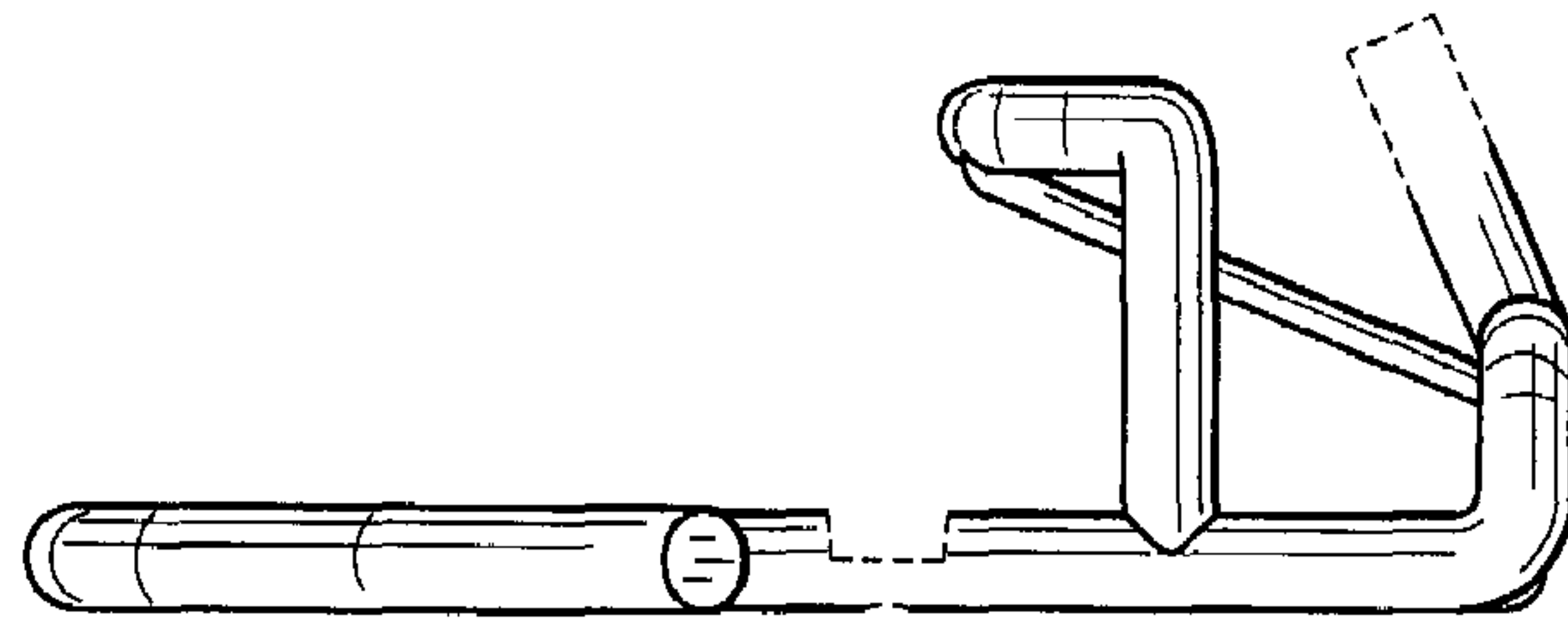


FIG. 3

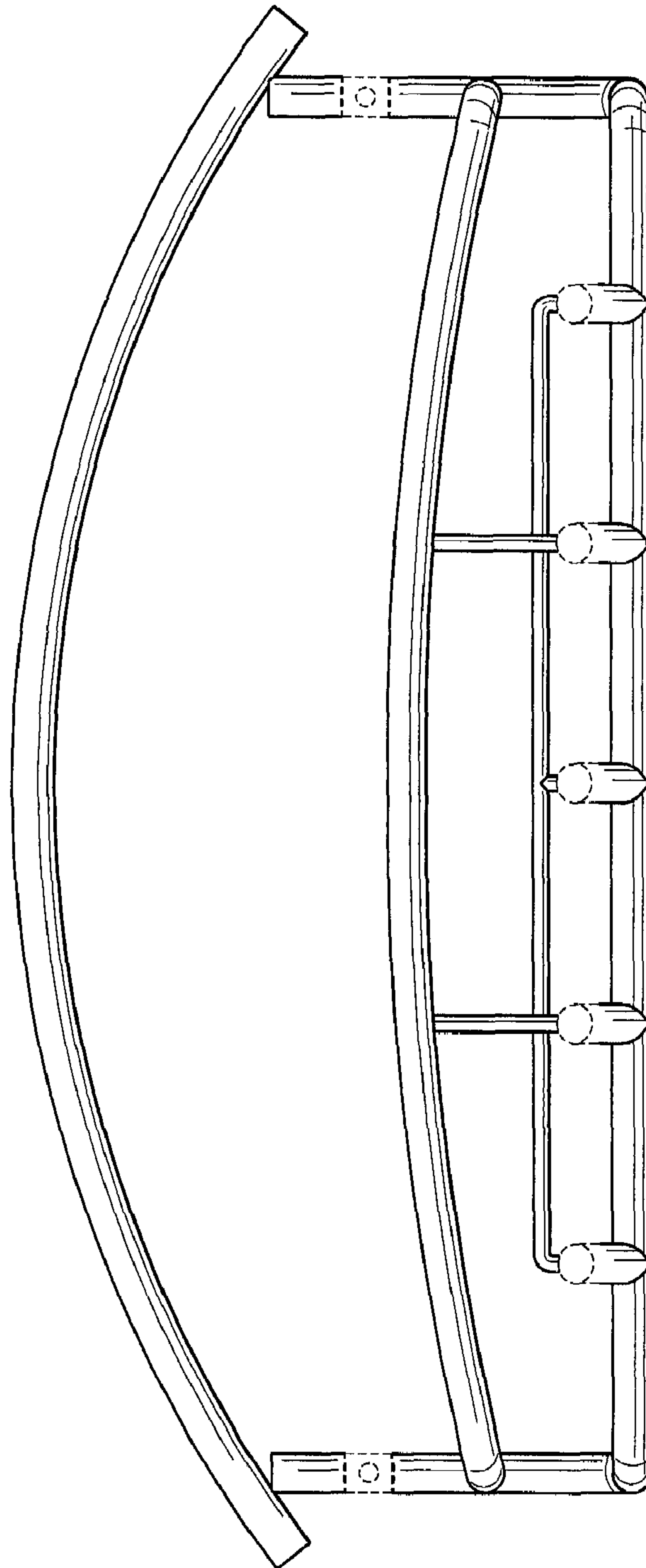


FIG. 2

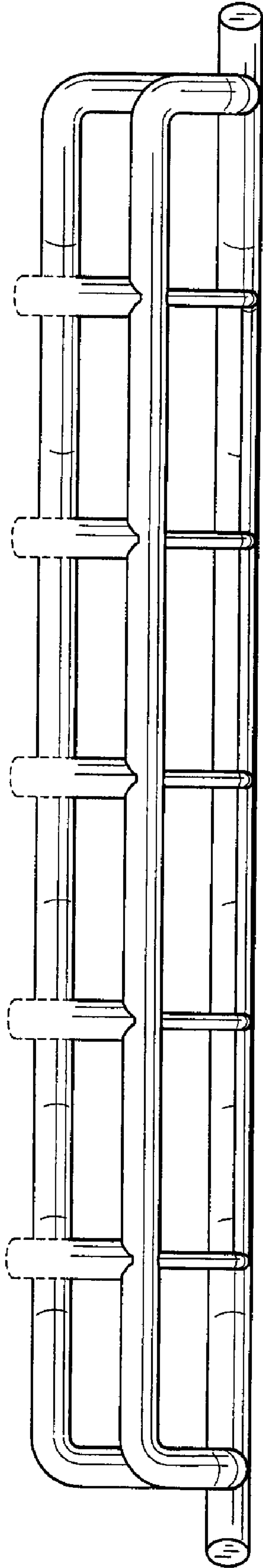


FIG. 5