



US00D594059S

(12) **United States Design Patent**  
**Shibata**

(10) **Patent No.:** **US D594,059 S**

(45) **Date of Patent:** **\*\* Jun. 9, 2009**

(54) **BALLPOINT PEN**

(75) Inventor: **Tomoaki Shibata**, Tokyo (JP)

(73) Assignee: **Pentel Kabuskiki Kaisha** (JP)

(\*\*) Term: **14 Years**

(21) Appl. No.: **29/292,122**

(22) Filed: **Sep. 27, 2007**

(51) **LOC (9) Cl.** ..... **19-06**

(52) **U.S. Cl.** ..... **D19/48**

(58) **Field of Classification Search** ..... D19/35,  
D19/36, 41, 42, 43, 44, 45, 46, 47, 48, 49,  
D19/50, 51, 54, 55, 56, 57; 24/11 F, 11 P,  
24/11 R; 401/52, 99, 100, 104, 105, 106,  
401/107, 108, 109, 192, 195, 196, 202, 209,  
401/213, 243, 244, 245, 246, 247; 708/107  
See application file for complete search history.

(56) **References Cited**

**U.S. PATENT DOCUMENTS**

D212,866 S \* 12/1968 Ferraud ..... D19/51  
D398,934 S \* 9/1998 Veillon ..... D19/51  
D441,017 S \* 4/2001 Gault et al. .... D19/50  
D476,366 S \* 6/2003 Kennedy ..... D19/56  
6,719,470 B2 \* 4/2004 Berhin ..... 401/104  
D490,108 S \* 5/2004 Moon ..... D19/50

D499,139 S \* 11/2004 Oka ..... D19/47  
D509,850 S \* 9/2005 Bhavnani ..... D19/36  
D510,599 S \* 10/2005 Shibata ..... D19/57  
D513,767 S \* 1/2006 Bhavnani ..... D19/49  
D562,895 S \* 2/2008 Shibata ..... D19/50  
D563,473 S \* 3/2008 Qiu et al. .... D19/50  
D572,756 S \* 7/2008 Oka ..... D19/47  
2007/0154253 A1 \* 7/2007 Keda ..... 401/6

\* cited by examiner

*Primary Examiner*—Elizabeth A Albert

*Assistant Examiner*—Karen E Eldridge Powers

(74) *Attorney, Agent, or Firm*—Adams & Wilks

(57) **CLAIM**

The ornamental design for a ballpoint pen, as shown and described.

**DESCRIPTION**

FIG. 1 is a perspective view of a ballpoint pen showing my new design;

FIG. 2 is a front view thereof;

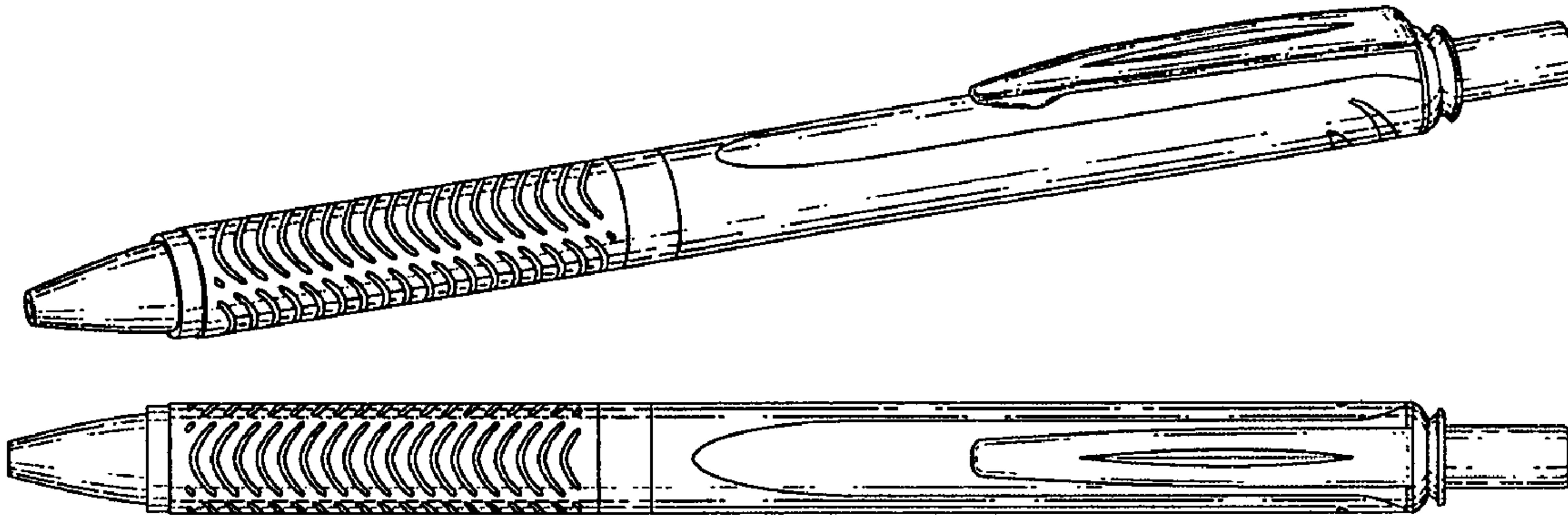
FIG. 3 is a bottom view thereof;

FIG. 4 is a rear view thereof;

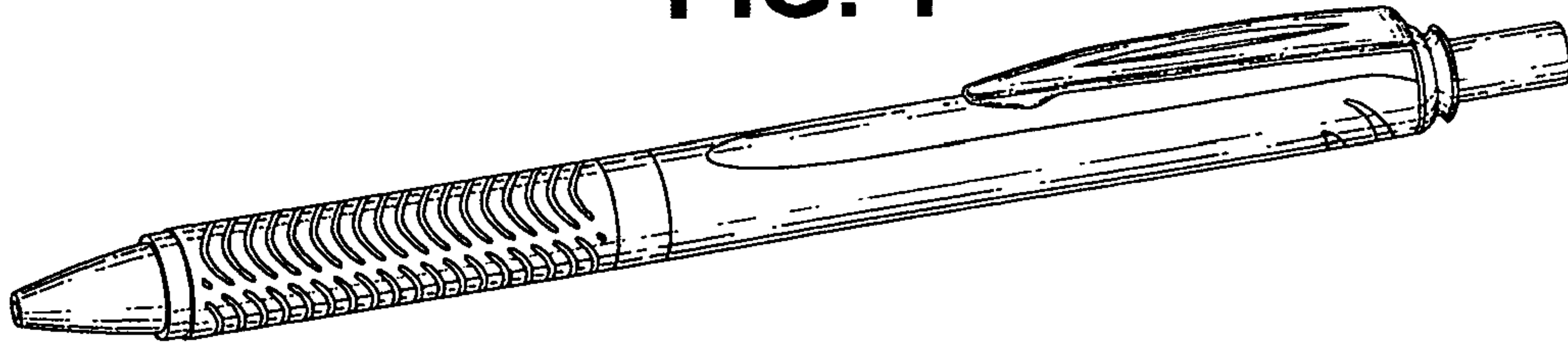
FIG. 5 is a left side view thereof; and,

FIG. 6 is a right side view thereof.

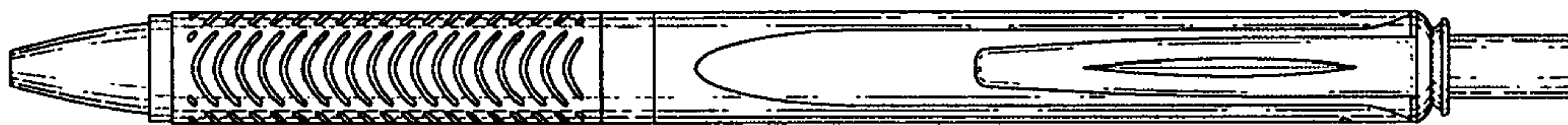
**1 Claim, 1 Drawing Sheet**



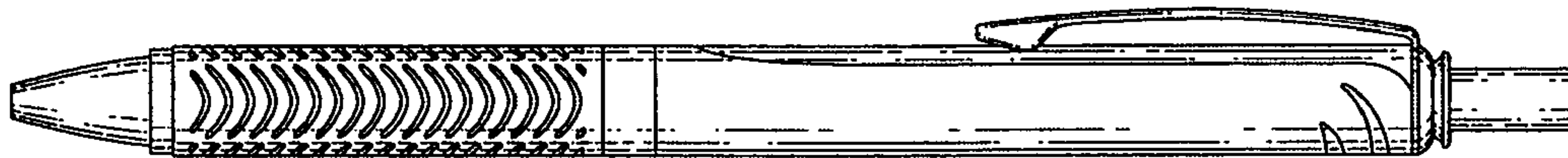
**FIG. 1**



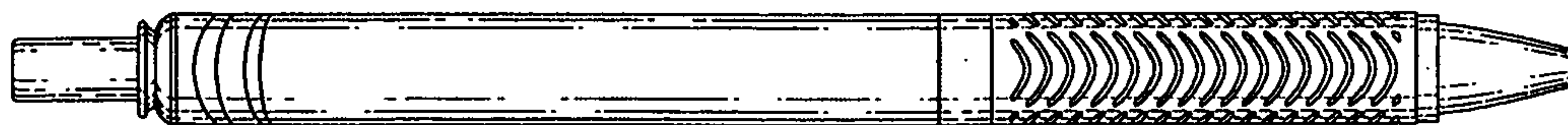
**FIG. 2**



**FIG. 3**



**FIG. 4**



**FIG. 5**



**FIG. 6**

