



US00D594058S

(12) **United States Design Patent**
Hicks

(10) **Patent No.:** **US D594,058 S**

(45) **Date of Patent:** **** Jun. 9, 2009**

(54) **BRUSH HOLDER**

(76) **Inventor:** **Guy Lee Hicks**, Rt. 1, Box 150,
Tennessee Colony, TX (US) 75884

(**) **Term:** **14 Years**

(21) **Appl. No.:** **29/317,581**

(22) **Filed:** **May 2, 2008**

(51) **LOC (9) Cl.** **19-06**

(52) **U.S. Cl.** **D19/35**

(58) **Field of Classification Search** D6/457,
D6/469; D19/35, 75, 77-85; D32/54, 58;
206/15.2, 15.3, 214, 224, 349, 361, 362,
206/362.1, 362.2, 362.3, 575; 211/65, 66;
248/110, 111; 312/206

See application file for complete search history.

(56) **References Cited**

U.S. PATENT DOCUMENTS

- 204,511 A * 6/1878 Terrass 211/66
- 1,614,265 A * 1/1927 Stockton 131/240.1
- D128,837 S * 8/1941 Vernon D6/468
- 3,108,695 A * 10/1963 Morris 211/65
- 3,109,084 A * 10/1963 Walsh 219/385
- D217,993 S * 7/1970 Woofter D19/23
- 4,149,629 A * 4/1979 Eckmann et al. 206/765
- 4,239,121 A * 12/1980 Hodes 209/703

- D278,585 S * 4/1985 Oldham D7/600.3
- D300,290 S * 3/1989 Moberg D7/701
- D324,541 S * 3/1992 Dudley D19/35
- D333,770 S * 3/1993 Jureckson D6/469
- 5,297,677 A * 3/1994 Burian et al. 206/362.4
- 6,257,539 B1 * 7/2001 Pelaez 248/314
- D488,643 S * 4/2004 Birmingham D6/469
- D494,775 S * 8/2004 Birmingham D6/456

* cited by examiner

Primary Examiner—Elizabeth A Albert

(74) *Attorney, Agent, or Firm*—Gardere Wynne Sewell LLP

(57) **CLAIM**

The ornamental design for a brush holder, as shown and described.

DESCRIPTION

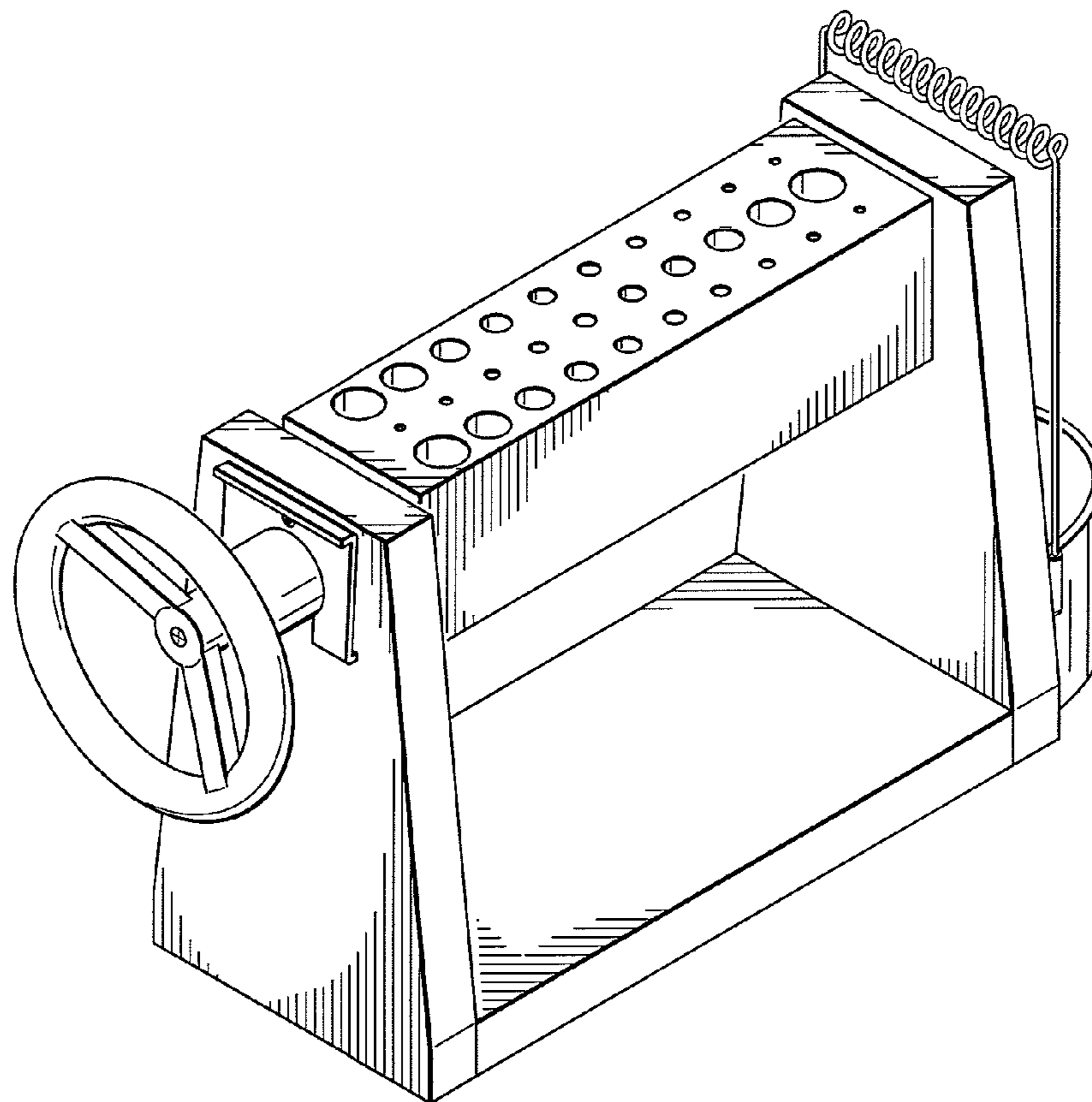
FIG. 1 is an exploded left side perspective view of a brush holder in accordance with my invention;

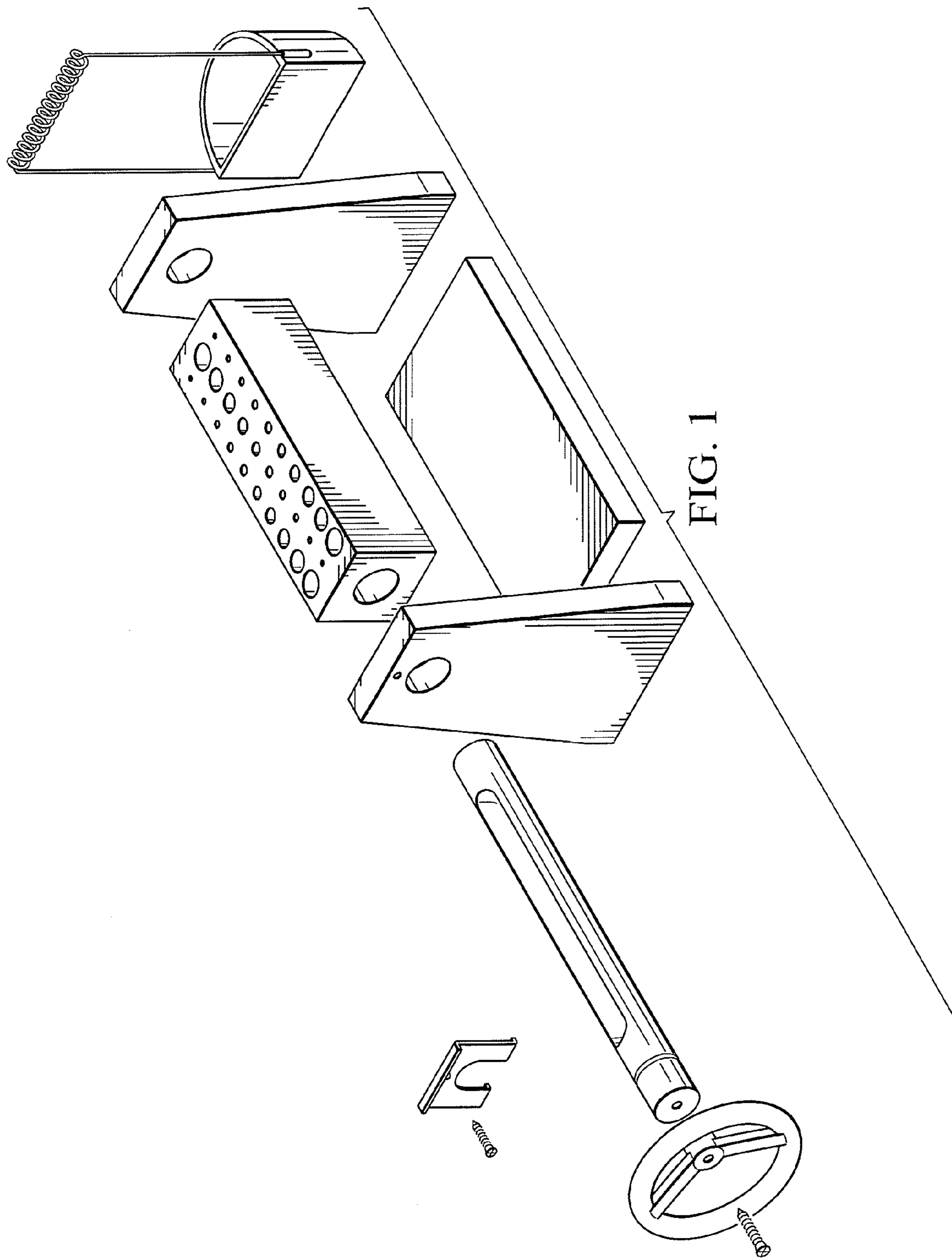
FIG. 2 is a perspective view of a constituent part of the brush holder in FIG. 1, shown without the other parts of the brush holder for convenience of illustration.

FIG. 3 is a left side perspective view of the brush holder shown in FIG. 1; and,

FIG. 4 is a front side elevation view of the brush holder shown in FIG. 1.

1 Claim, 3 Drawing Sheets





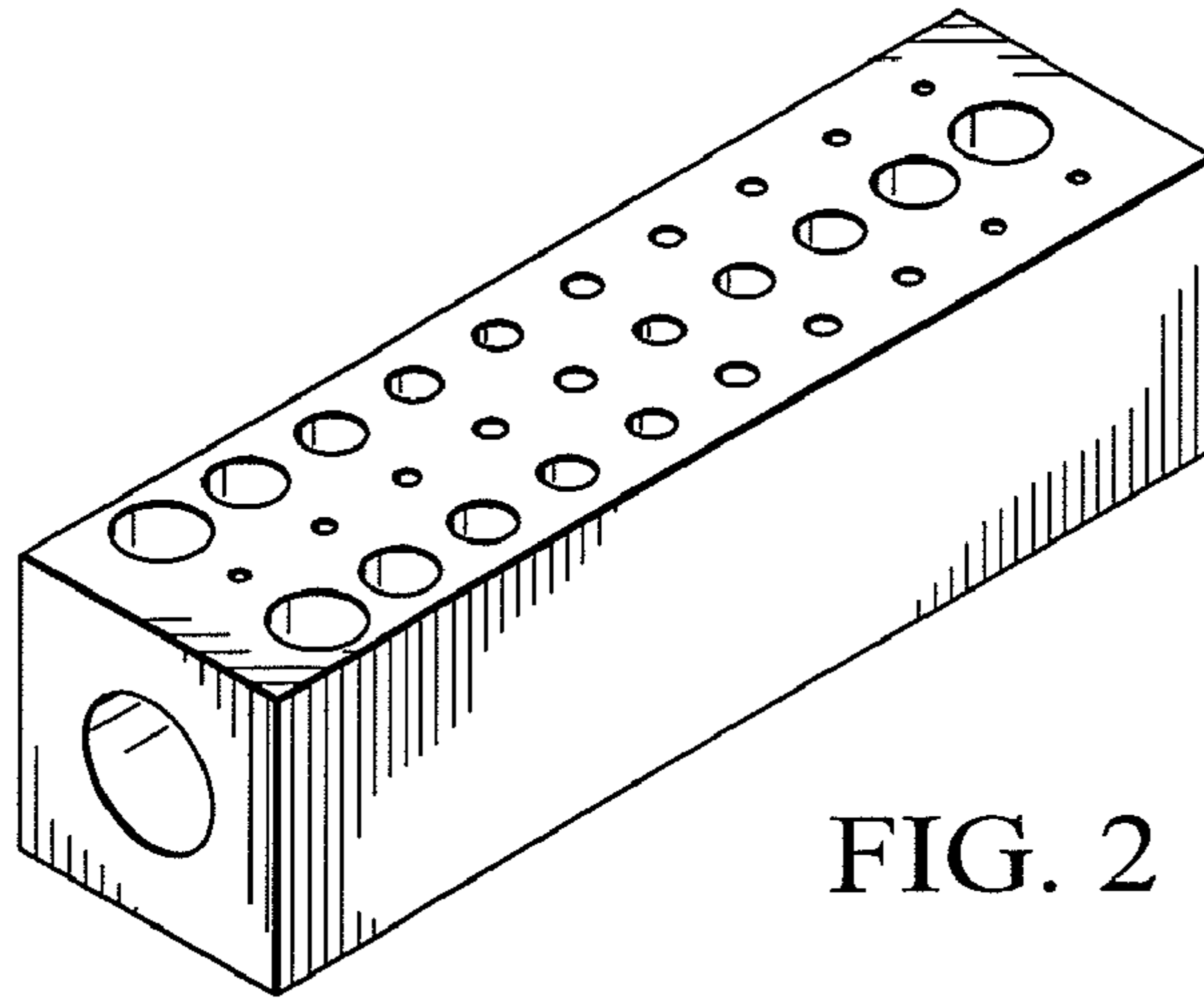


FIG. 2

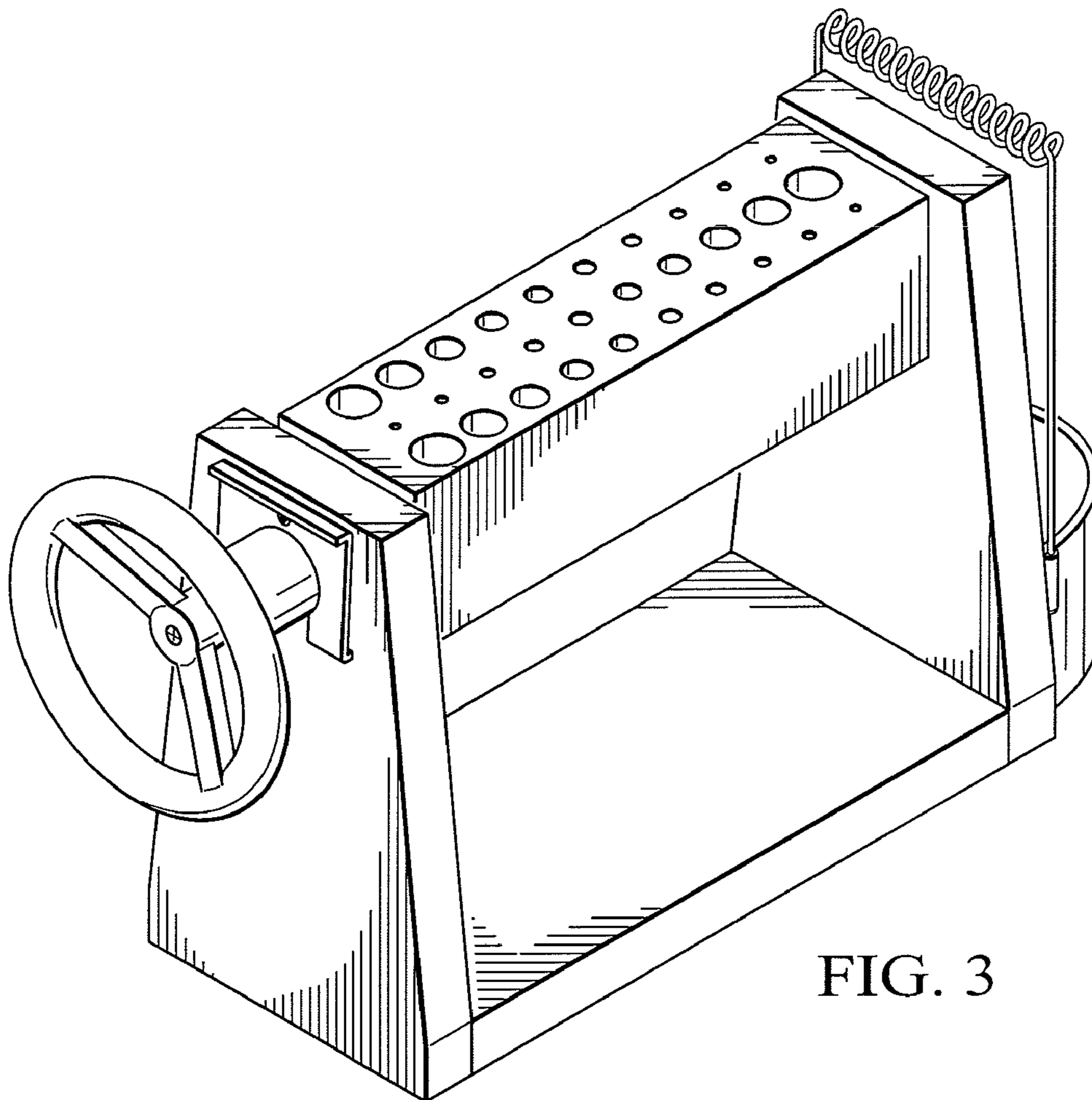


FIG. 3

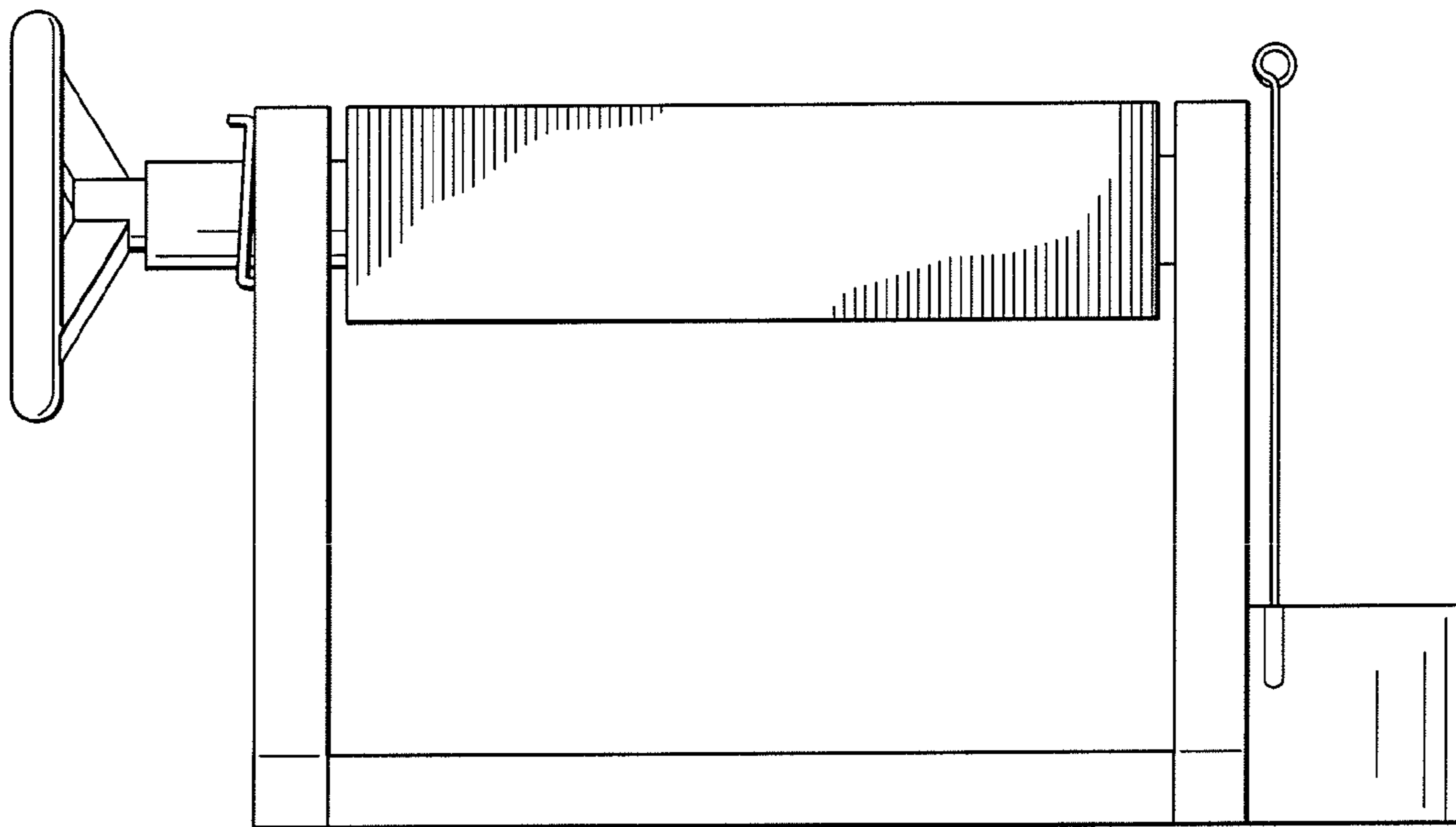


FIG. 4