



US00D594054S

(12) **United States Design Patent**  
**Johnson et al.**

(10) **Patent No.:** **US D594,054 S**  
(45) **Date of Patent:** **\*\* Jun. 9, 2009**

(54) **MESSAGE PLAYER WITH PENDANT HEART**

6,938,291 B1 \* 9/2005 Cheng ..... 5/658  
2005/0178036 A1 \* 8/2005 Henick et al. .... 40/617

(75) Inventors: **Kathryn L. Johnson**, Beavercreek, OH (US); **William Michael Johnson**, Beavercreek, OH (US); **Donald P. Gordon**, Xenia, OH (US); **Susan K. Dunlap**, Beavercreek, OH (US)

(73) Assignee: **Gumption Enterprises LLC**, Beavercreek, OH (US)

(\*\*) Term: **14 Years**

(21) Appl. No.: **29/320,684**

(22) Filed: **Jul. 1, 2008**

(51) **LOC (9) Cl.** ..... **17-05**

(52) **U.S. Cl.** ..... **D17/24**

(58) **Field of Classification Search** ..... D17/24,  
D17/99; 84/600, 95.1, 95.2, 94.1, 94.2; D21/405;  
206/314; 446/297, 298, 397

See application file for complete search history.

(56) **References Cited**

**U.S. PATENT DOCUMENTS**

D27,059 S *	5/1897	Brachhausen	.....	D17/24
D264,462 S *	5/1982	Glass	.....	D14/200
5,056,660 A *	10/1991	Huang	.....	206/232
5,951,360 A *	9/1999	Fearon et al.	.....	446/227
5,973,250 A *	10/1999	Zirille et al.	.....	84/600
6,413,141 B1 *	7/2002	Putney	.....	446/227
6,789,395 B2 *	9/2004	Molino et al.	.....	63/1.16

**OTHER PUBLICATIONS**

J. McKinley. <http://www.arras-coins-for-sale.com/wedding-arras-sets-with-coins.htm>. Aug. 2007. Item: 40455 Wedding Arras Music Box.\*  
Collectibles Today.com. <http://www.collectiblestoday.com/ct/product/prdid-700035001.jsp>. May 2006. Item: My Precious Daughter Music Box.\*

\* cited by examiner

*Primary Examiner*—Ian Simmons

*Assistant Examiner*—R. Johnson

(74) *Attorney, Agent, or Firm*—Wm. Cates Rambo

(57) **CLAIM**

We claim the ornamental design for a message player with pendant heart, as shown and described.

**DESCRIPTION**

FIG. 1 is a perspective view of a message player with pendant heart showing my new design.

FIG. 2 is a front view thereof;

FIG. 3 is a back view thereof;

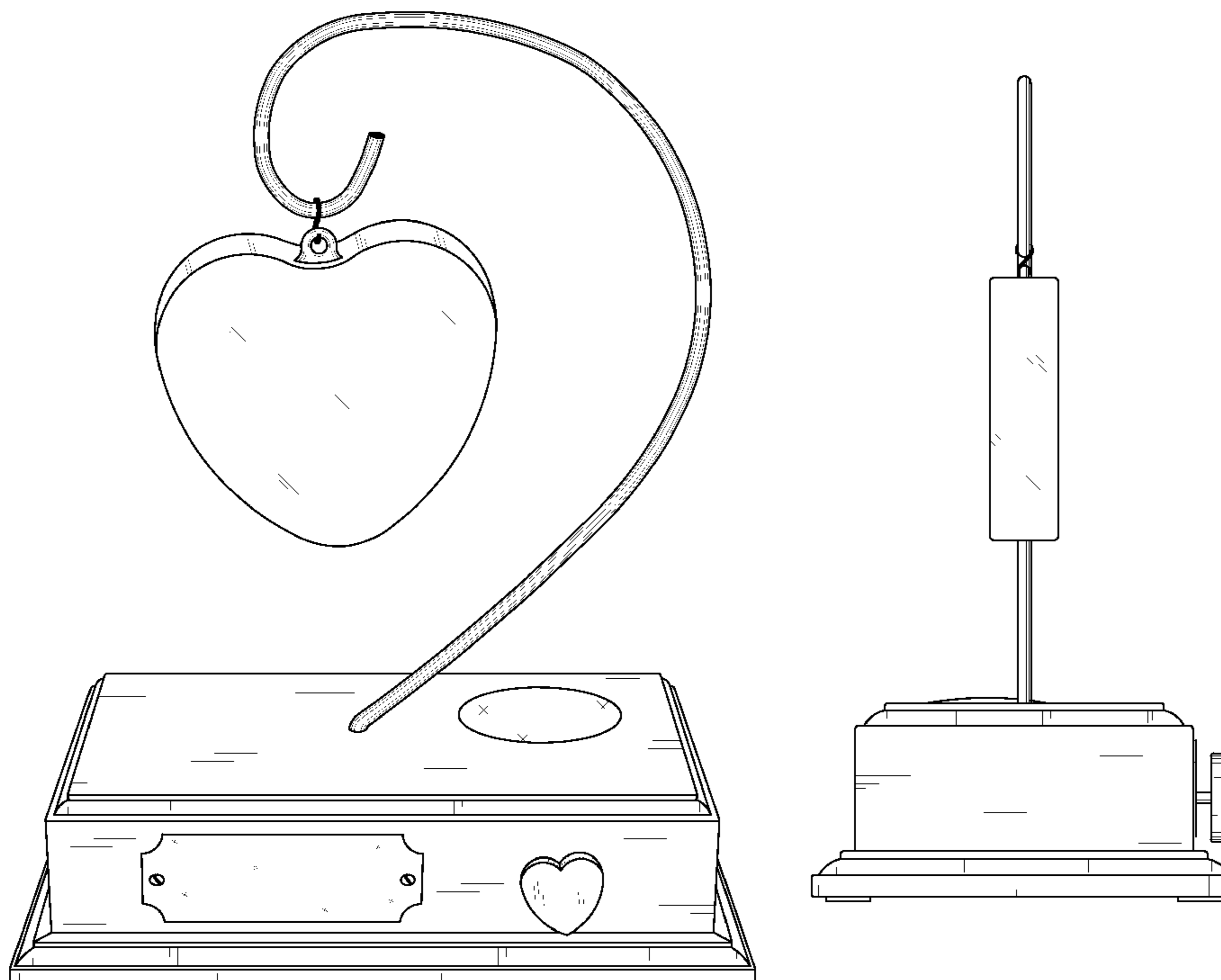
FIG. 4 is a right side view thereof;

FIG. 5 is a left side view thereof;

FIG. 6 is a top view thereof; and,

FIG. 7 is a bottom view thereof.

**1 Claim, 7 Drawing Sheets**



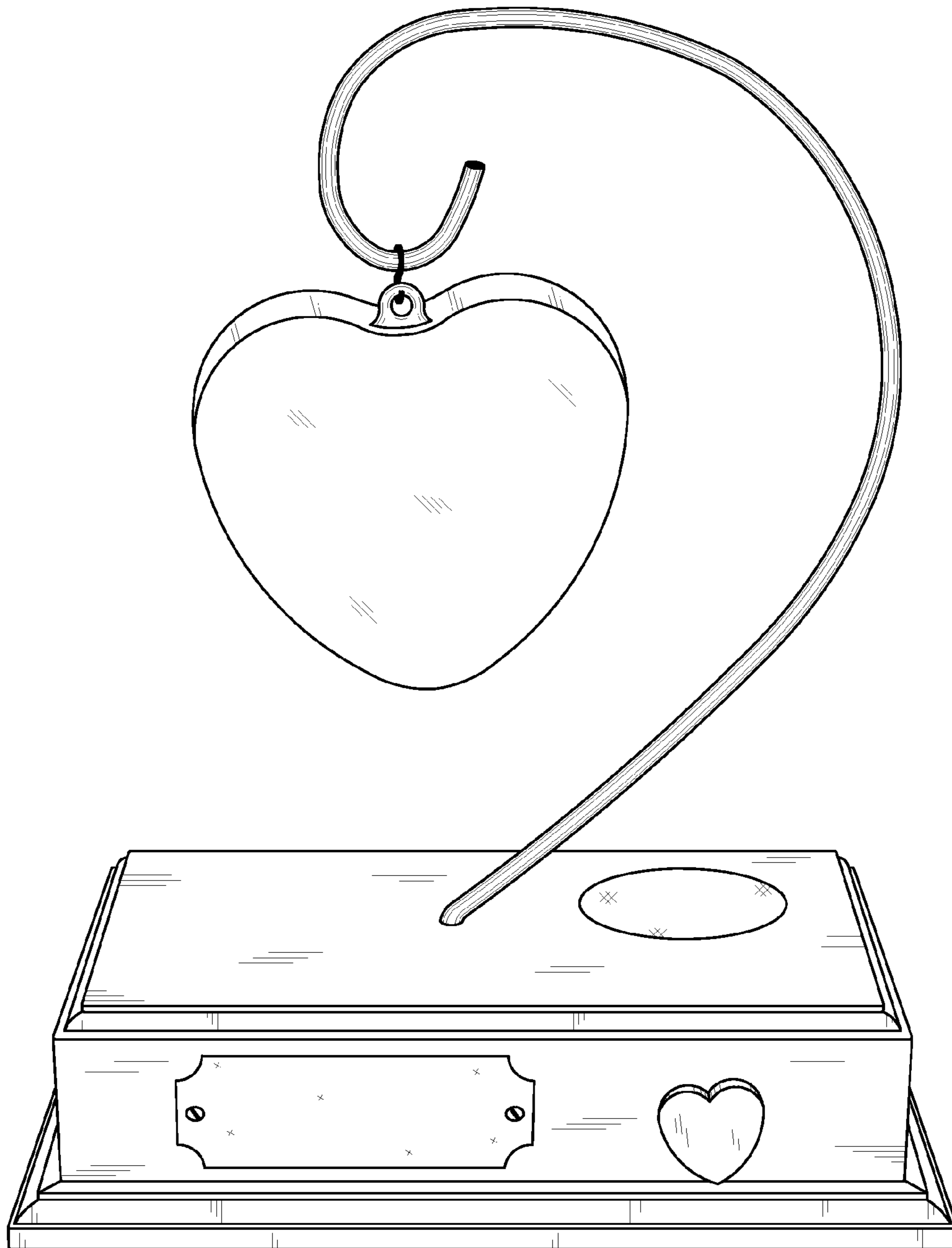


FIG. 1

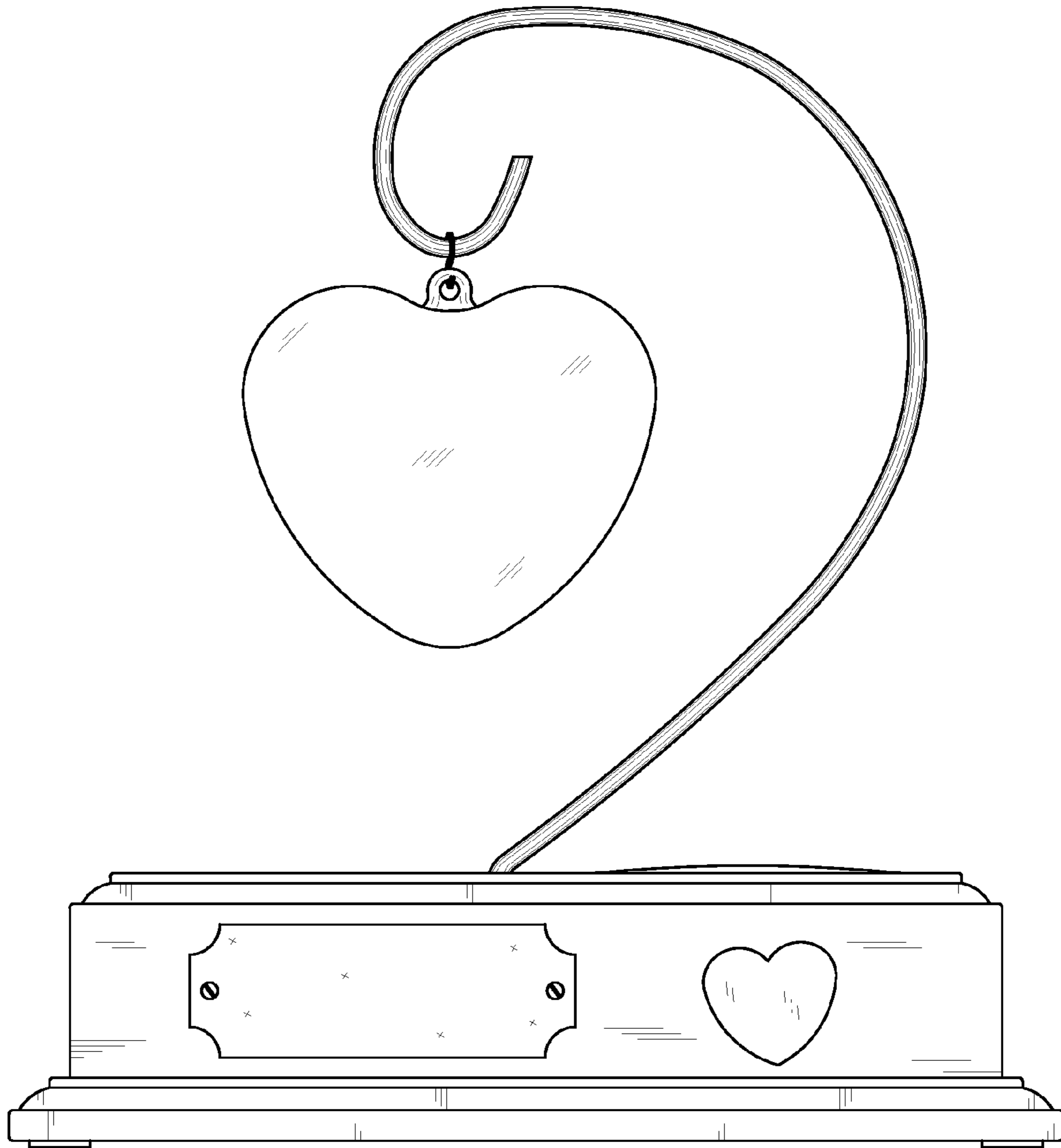


FIG. 2

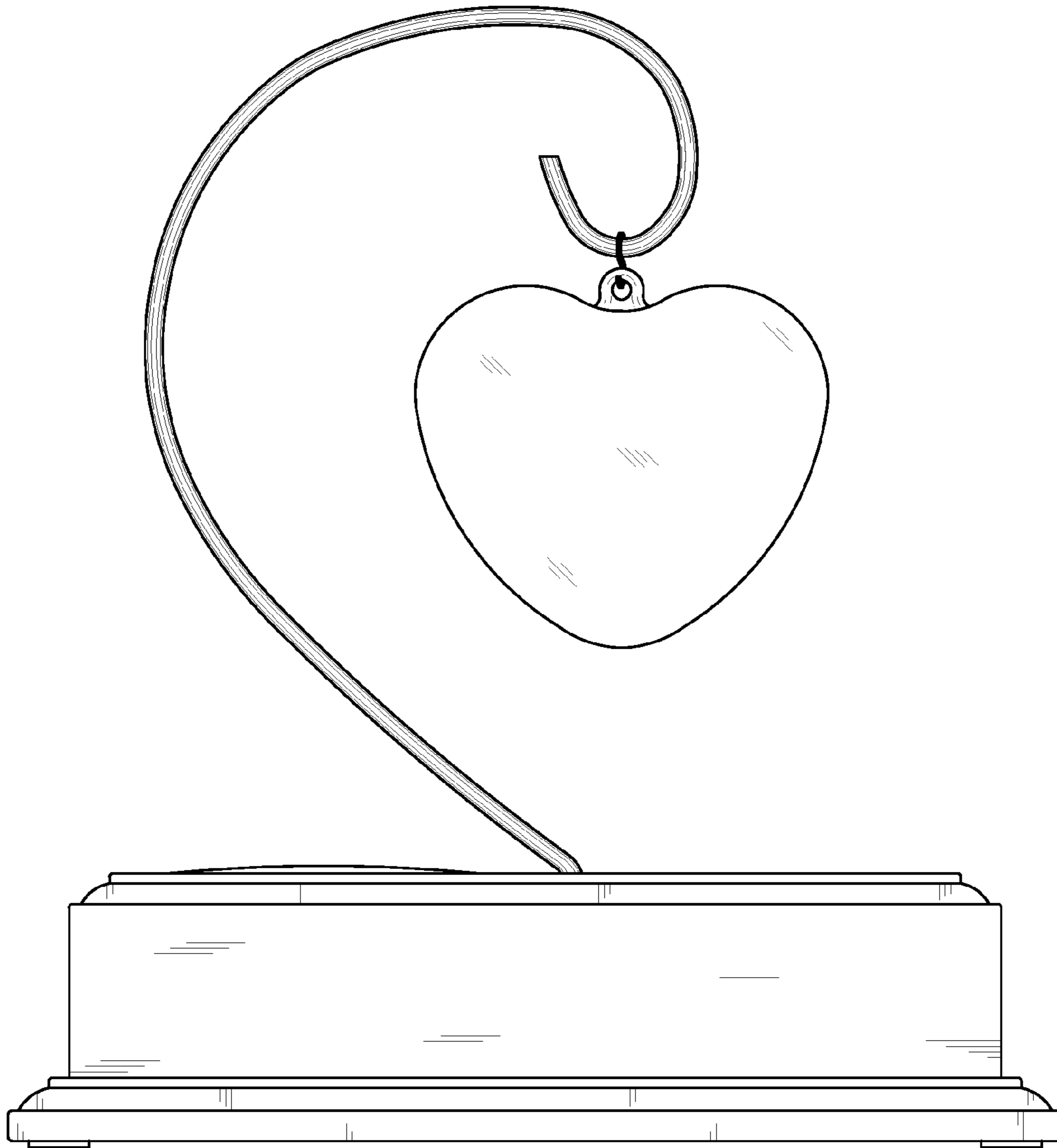


FIG. 3

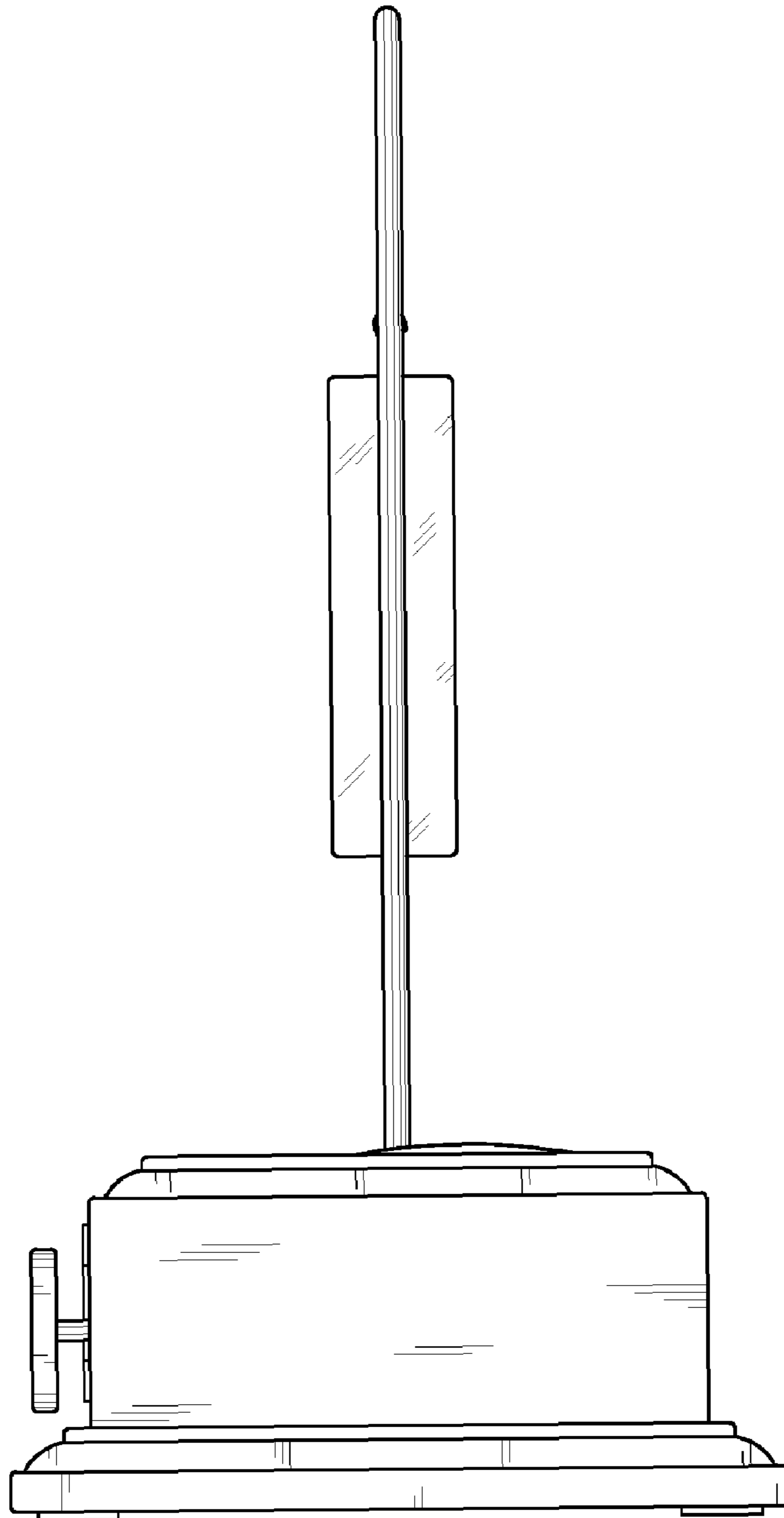


FIG. 4

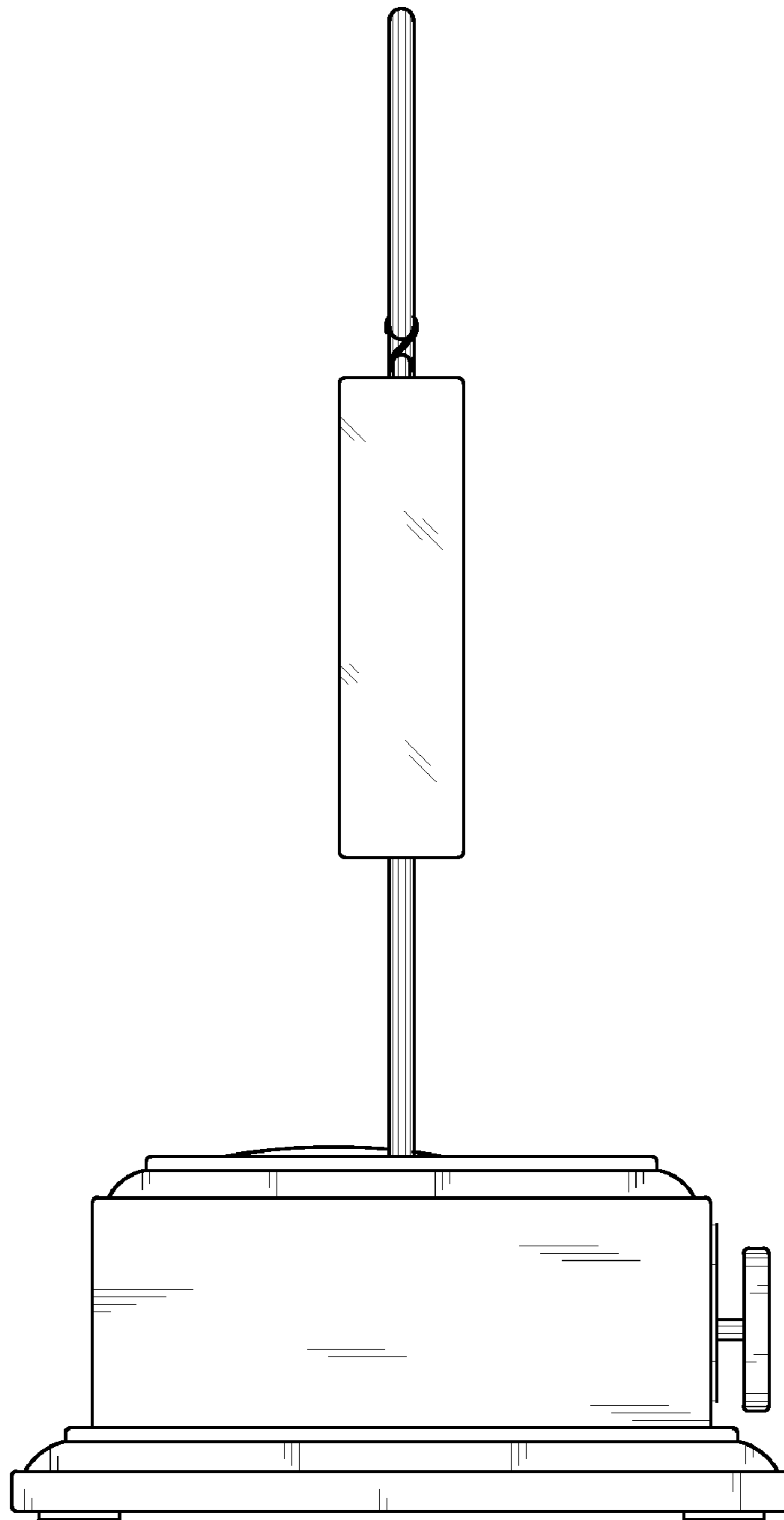


FIG. 5

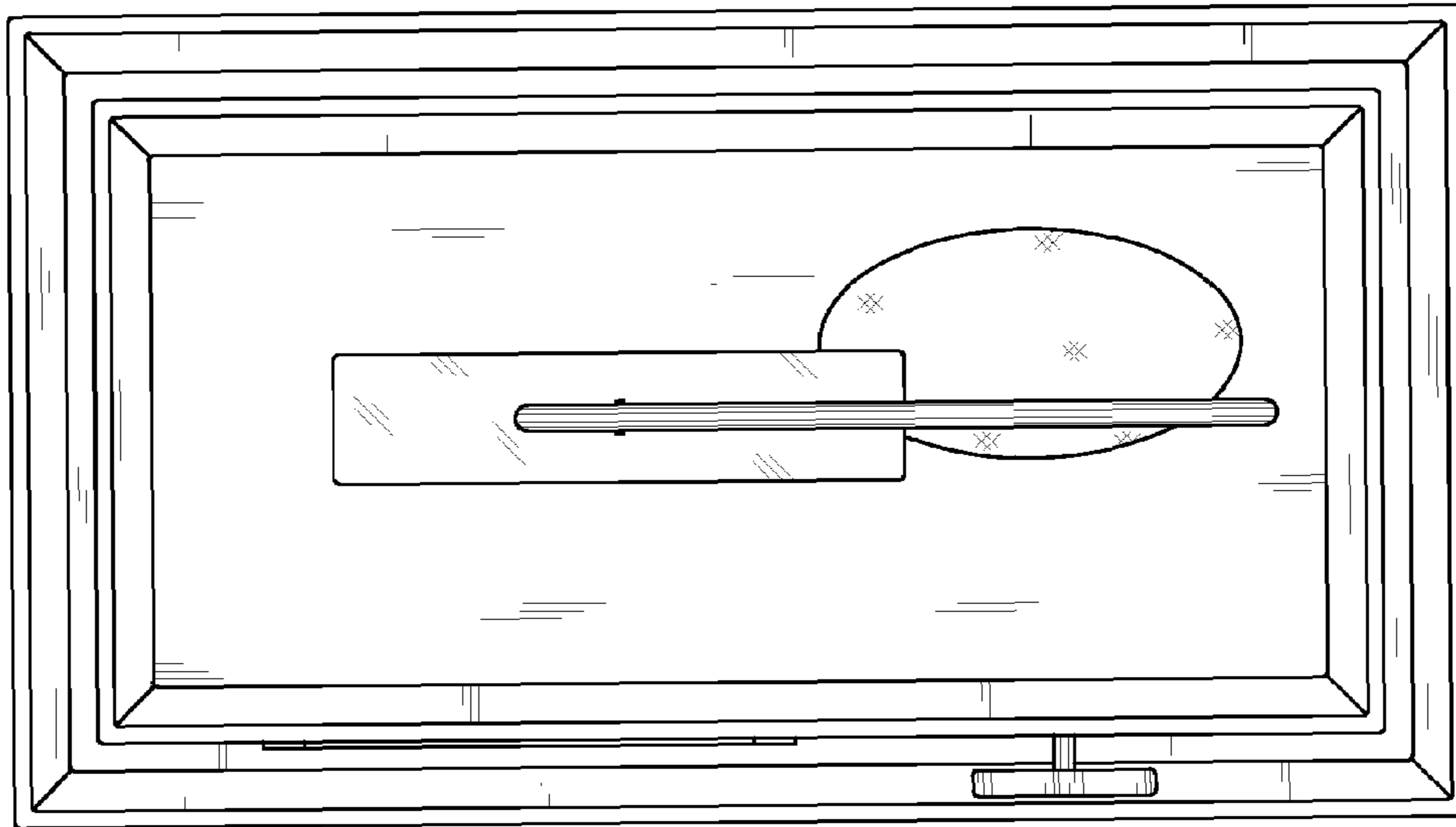


FIG. 6

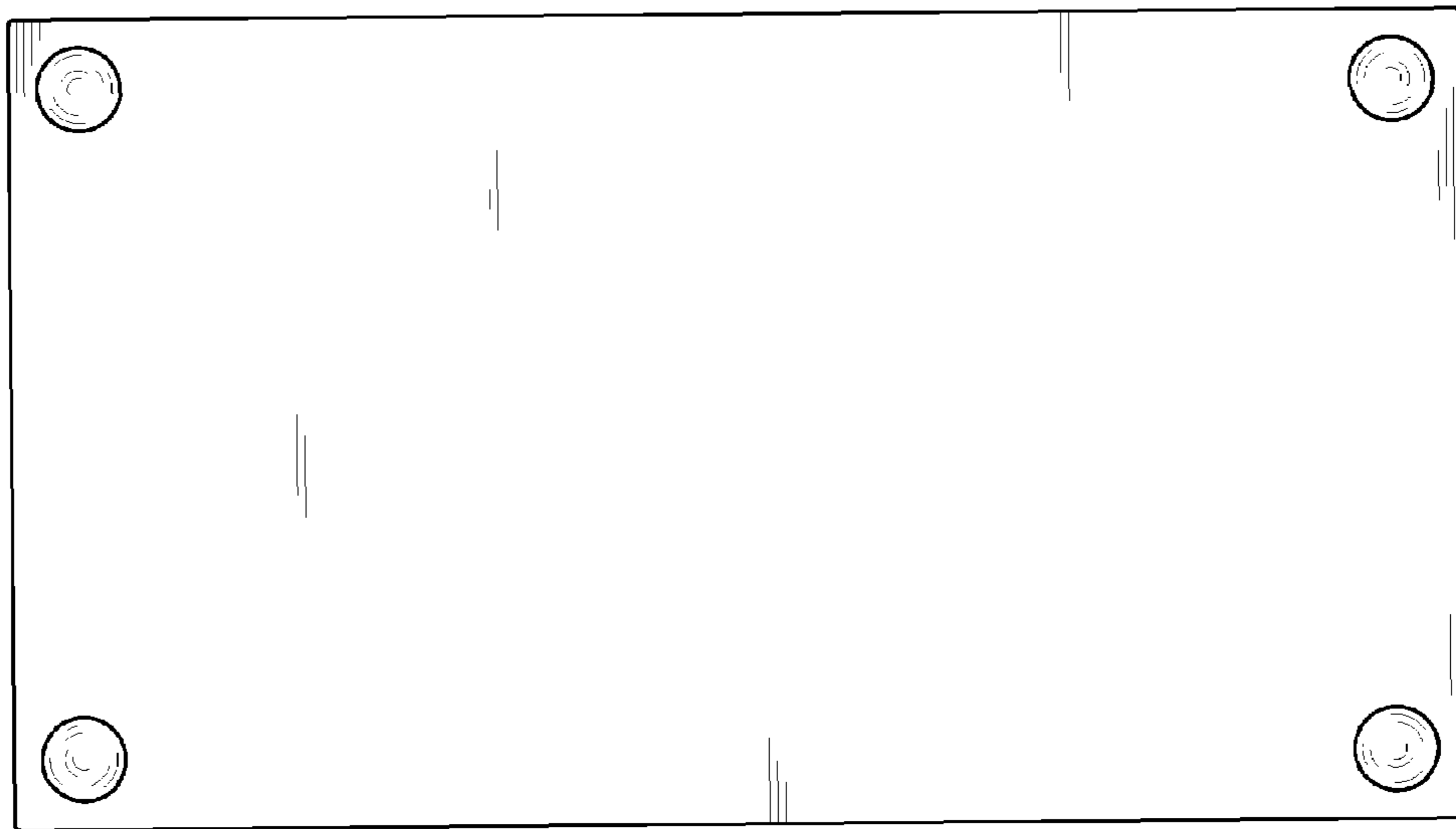


FIG. 7