



US00D594050S

(12) **United States Design Patent**
Gärtner et al.

(10) **Patent No.:** **US D594,050 S**
(45) **Date of Patent:** **** Jun. 9, 2009**

(54) **ADAPTER ASSEMBLY FOR MOUNTING A CAMERA ON A SURGICAL MICROSCOPE**

DESCRIPTION

(75) Inventors: **Hartmut Gärtner**, Oberkochen (DE);
Werner Koch, Keltern (DE)

(73) Assignee: **Carl Zeiss Surgical GmbH**,
Oberkochen (DE)

(**) Term: **14 Years**

(21) Appl. No.: **29/287,561**

(22) Filed: **Aug. 23, 2007**

(30) **Foreign Application Priority Data**

Jun. 5, 2007 (EM) 000734819

(51) **LOC (9) Cl.** **16-05**

(52) **U.S. Cl.** **D16/237; D16/131**

(58) **Field of Classification Search** D16/131,
D16/132, 136, 219, 237, 242; 348/79; 396/419,
396/428, 432

See application file for complete search history.

(56) **References Cited**

U.S. PATENT DOCUMENTS

D271,698	S *	12/1983	Shishido	D16/237
4,600,277	A *	7/1986	Murray, Jr.	D16/132
D310,676	S *	9/1990	Charles	D16/132
D319,450	S *	8/1991	Charles	D16/136
5,264,928	A *	11/1993	Howes	396/432
D456,348	S *	4/2002	Funakoshi	D16/219
7,246,956	B2 *	7/2007	Pernstich et al.	396/428
2008/0152337	A1 *	6/2008	Gartner et al.	396/428

* cited by examiner

Primary Examiner—Adir Aronovich

(74) *Attorney, Agent, or Firm*—Walter Ottesen

(57) **CLAIM**

The ornamental design for an adapter assembly for mounting a camera on a surgical microscope, as shown and described.

FIG. 1 is a perspective view of an adapter assembly for mounting a camera on a surgical microscope shown with a camera mounted thereon;

FIG. 2 is a left side elevation view of the adapter assembly of FIG. 1;

FIG. 3 is a right side elevation view of the adapter assembly shown in FIG. 1;

FIG. 4 is a top plan view of the adapter assembly shown in FIG. 1;

FIG. 5 is a bottom plan view of the adapter assembly shown in FIG. 1;

FIG. 6 is a perspective view of the adapter of the adapter assembly shown separately, the rest of the assembly being omitted for ease of illustration;

FIG. 7 is a left side elevation view of the angle piece of the adapter shown in FIG. 6, the adapter and the rest of the assembly is omitted for ease of illustration;

FIG. 8 is a right side elevation view of the angle piece of the adapter shown in FIG. 6;

FIG. 9 is a left side elevational view of the adapter shown in FIG. 6, the rest of the assembly is omitted for ease of illustration;

FIG. 10 is a right side elevational view of the adapter shown in FIG. 6;

FIG. 11 is top plan view of the adapter shown in FIG. 6;

FIG. 12 is bottom plan view of the adapter shown in FIG. 6;

FIG. 13 is a perspective view of the still interface member of the adapter assembly of FIGS. 1–5 shown separately, the rest of the assembly is omitted for ease of illustration;

FIG. 14 is a left side elevational view of the still interface member shown in FIG. 13, with a mounting bracket for mounting a camera, the rest of the assembly is omitted for ease of illustration;

FIG. 15 is a right side elevational view of the still interface member shown in FIG. 14;

FIG. 16 is bottom plan view of the still interface member shown in FIG. 14;

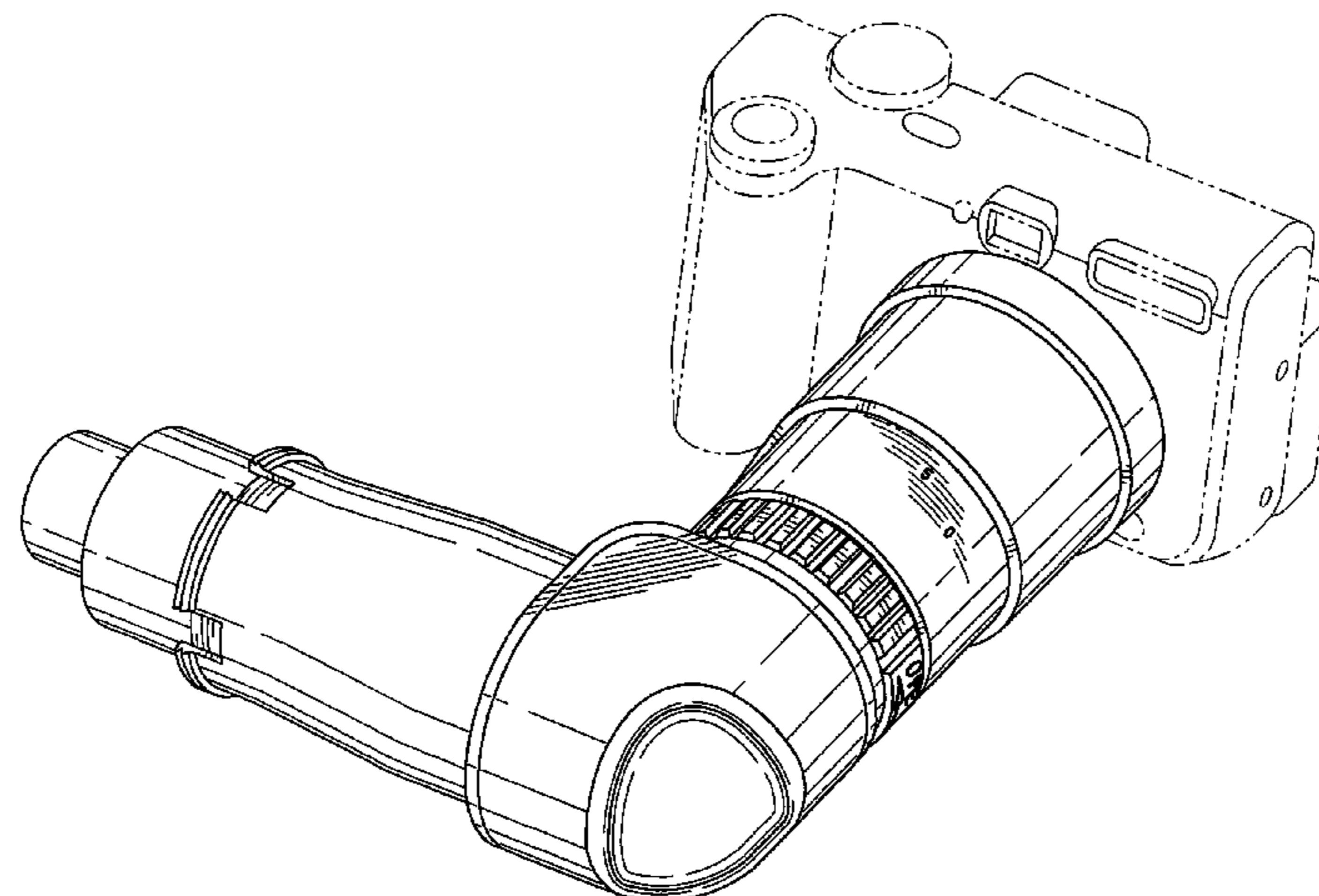


FIG. 17 is top plan view of the still interface member shown in FIG. 14;

FIG. 18 is a front elevational view of the still interface member shown in FIG. 14;

FIG. 19 is a rear elevational view of the still interface member shown in FIG. 14;

FIG. 20 is a perspective view of an alternate embodiment of the still interface member of the adapter assembly of FIGS. 1-5 shown separately, the rest of the assembly is omitted for ease of illustration;

FIG. 21 is a left side elevational view of the still interface member shown in FIG. 20, with a mounting bracket for mounting a camera, the rest of the assembly is omitted for ease of illustration;

FIG. 22 is a right side elevational view of the still interface member shown in FIG. 20 with a mounting bracket for mounting a camera;

FIG. 23 is bottom plan view of the still interface member shown in FIG. 20;

FIG. 24 is top plan view of the still interface member shown in FIG. 20;

FIG. 25 is a front elevational view of the still interface member shown in FIG. 20; and,

FIG. 26 is a rear elevational view of the still interface member shown in FIG. 20.

The claim is directed to the adapter assembly for mounting a camera on a surgical microscope disclosed in FIGS. 1-5, the separate components are shown to illustrate aspects, which are not apparent from the assembled view.

The camera shown in broken lines is for illustrative purposes only and forms no part of the claimed design.

1 Claim, 17 Drawing Sheets

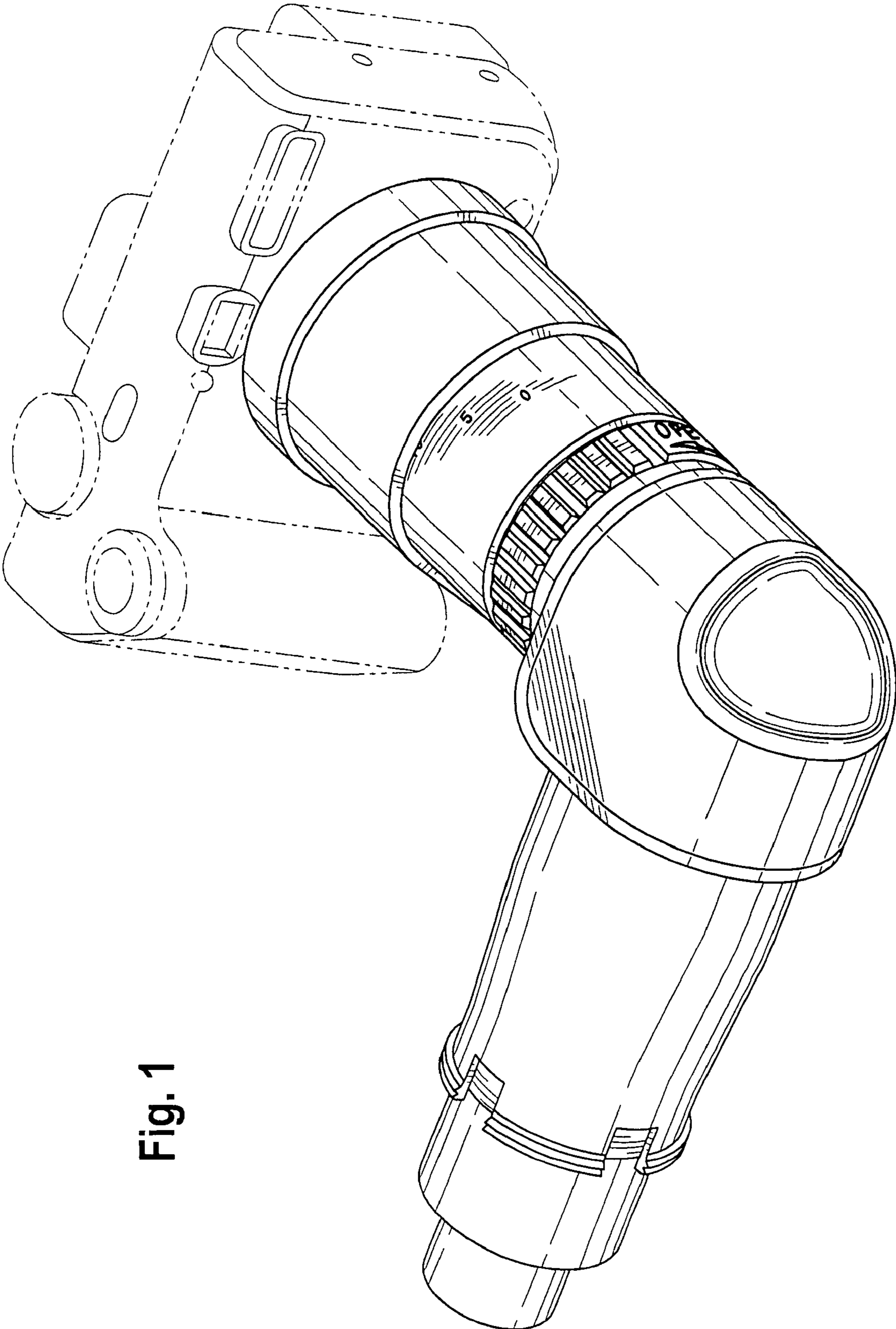


Fig. 1

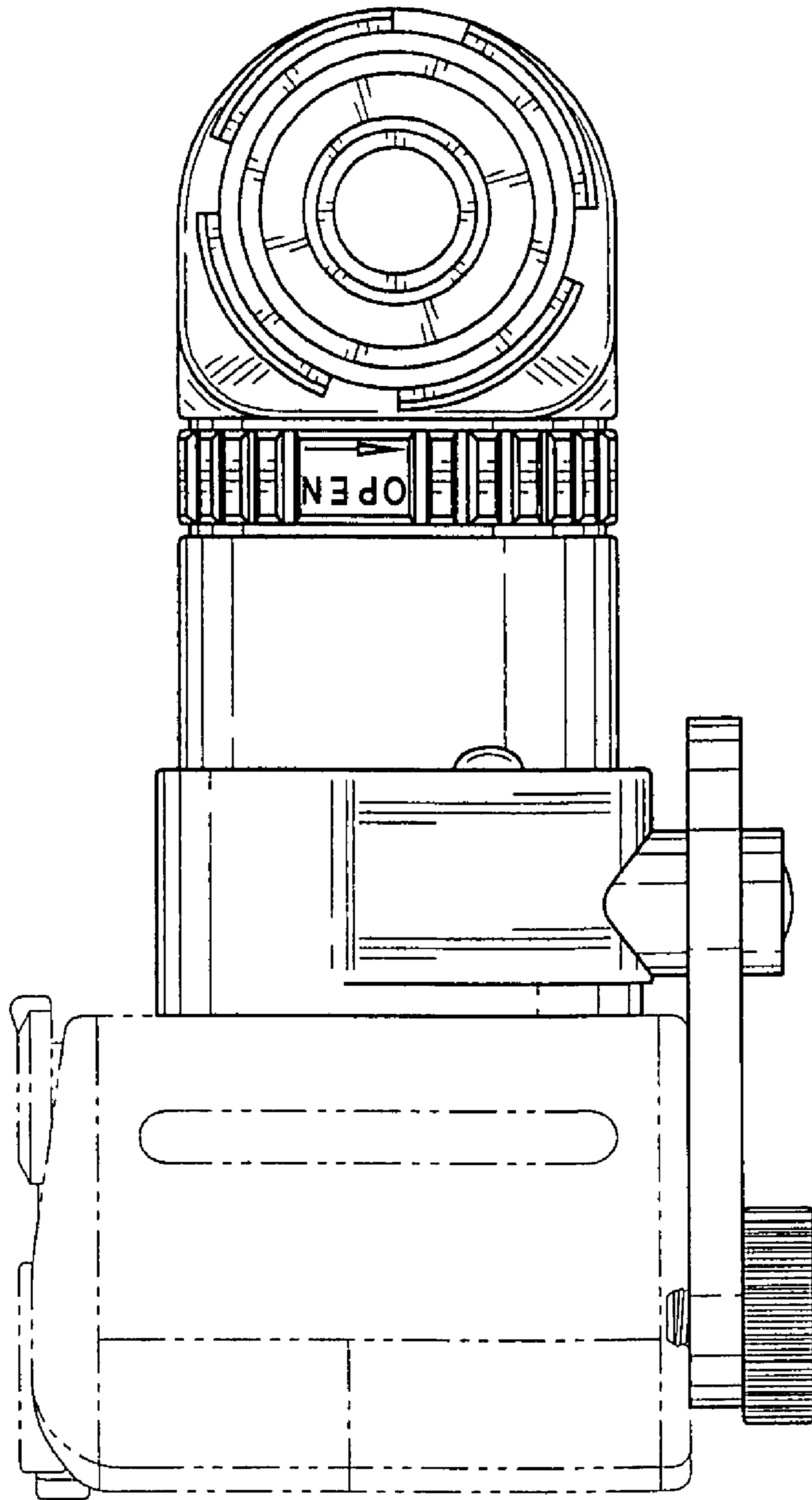


Fig. 2

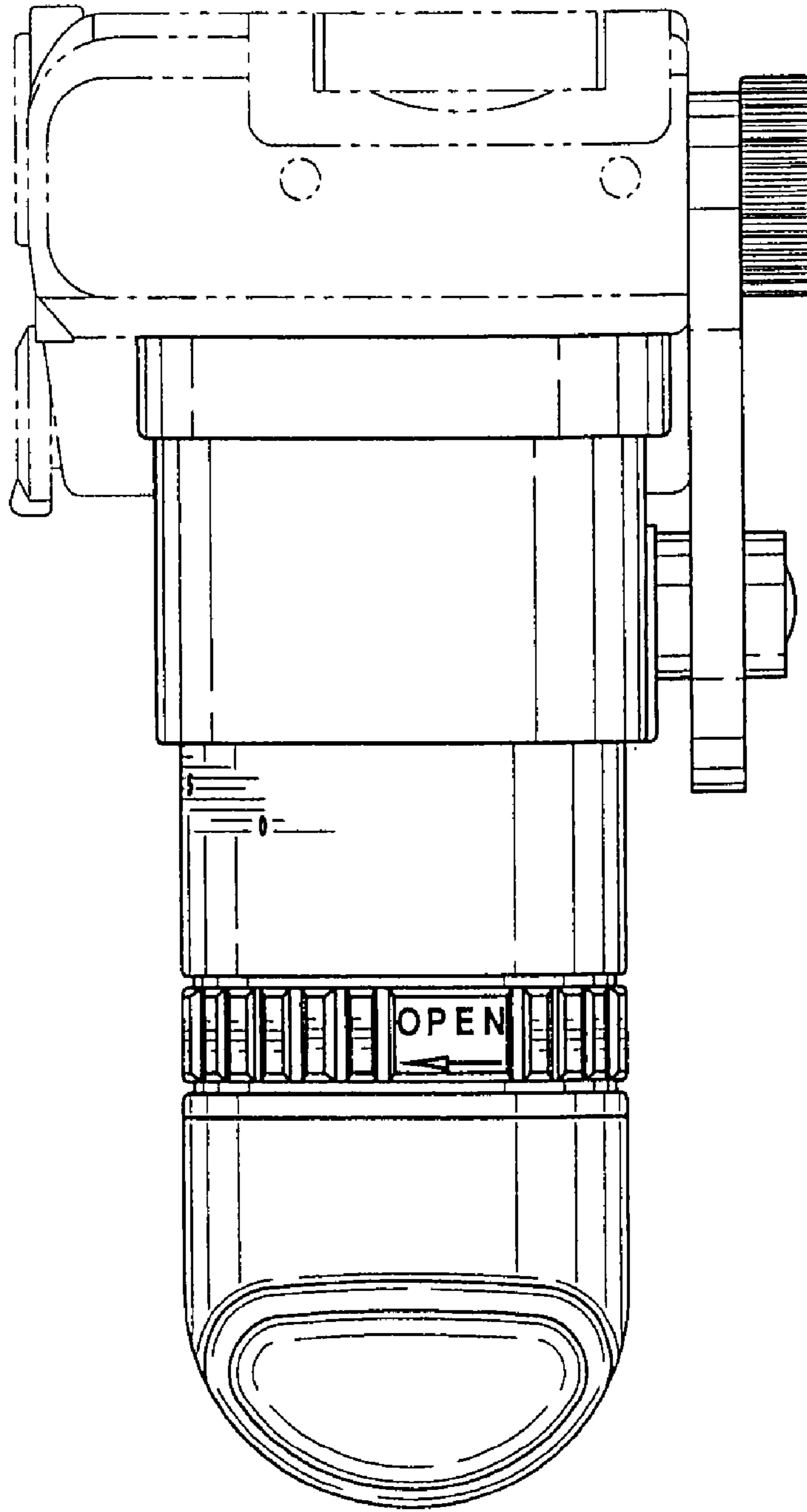


Fig. 3

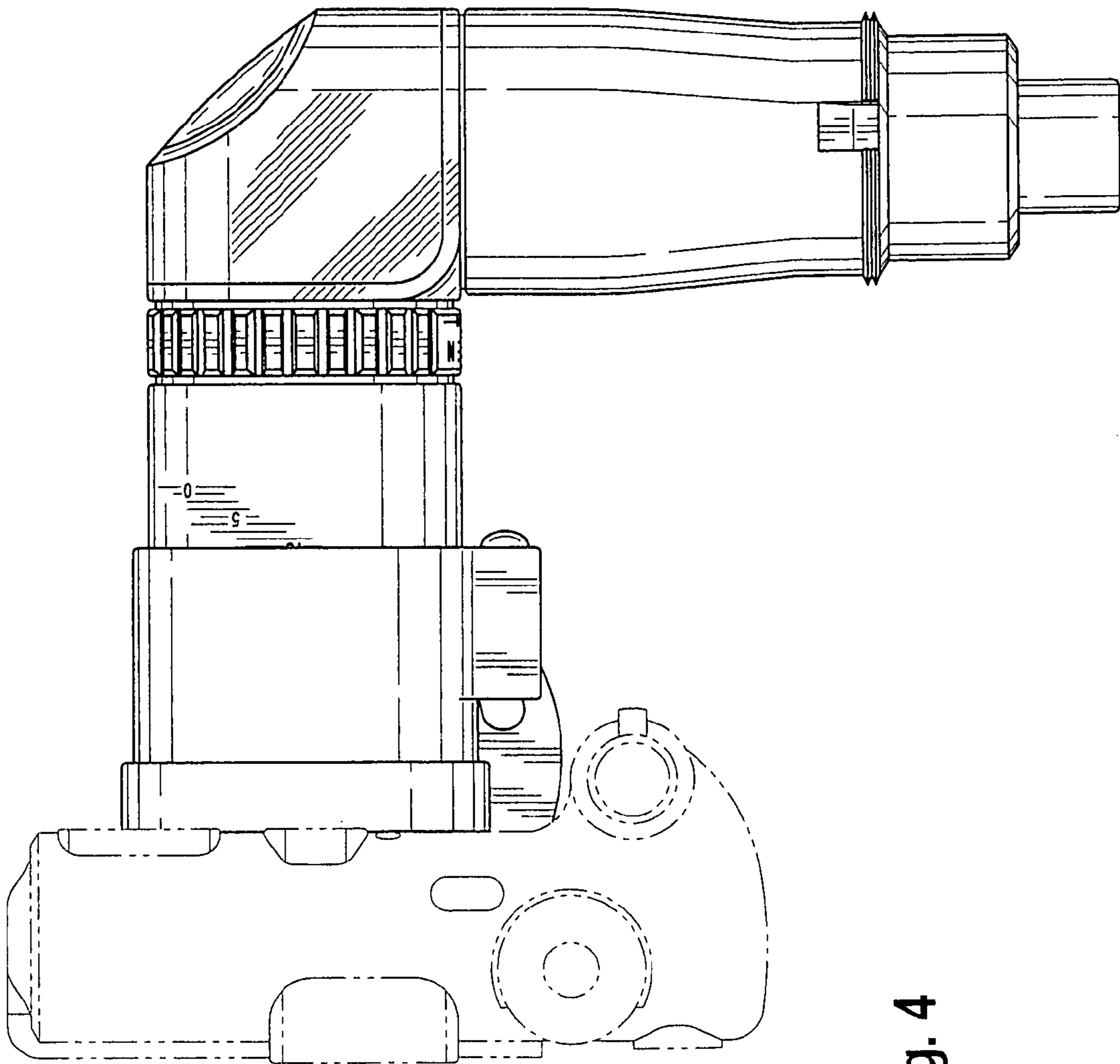


Fig. 4

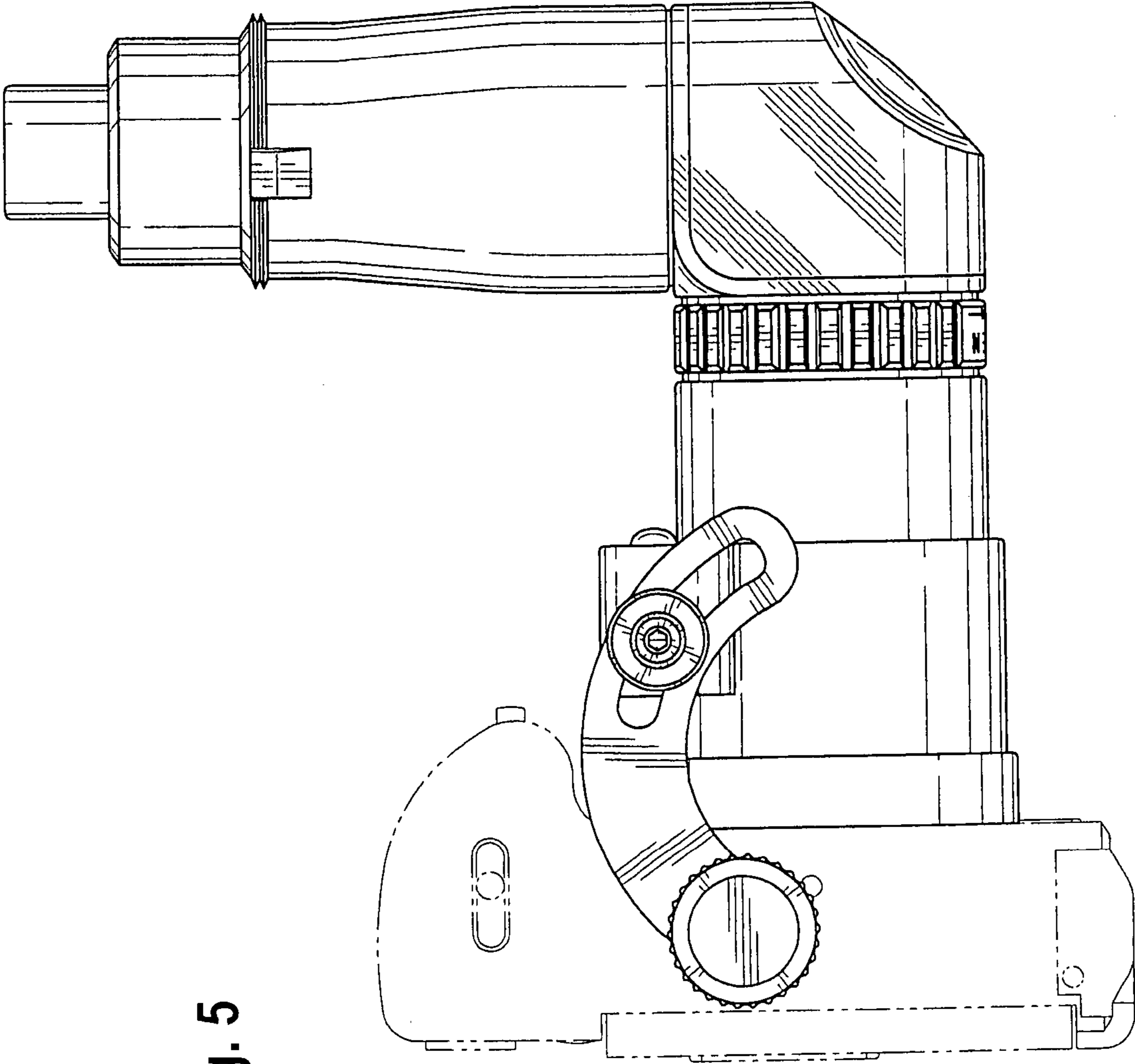


Fig. 5

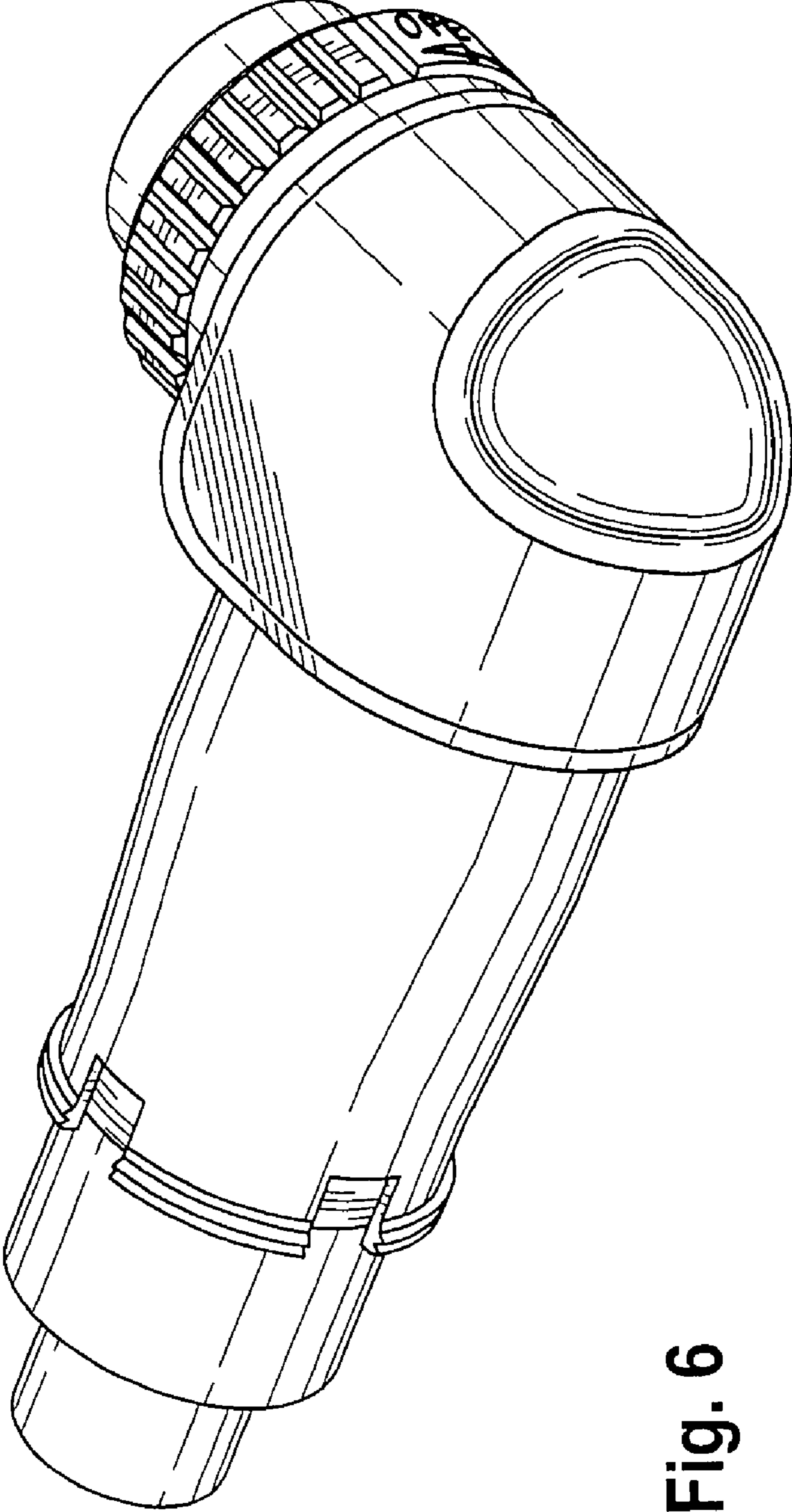


Fig. 6

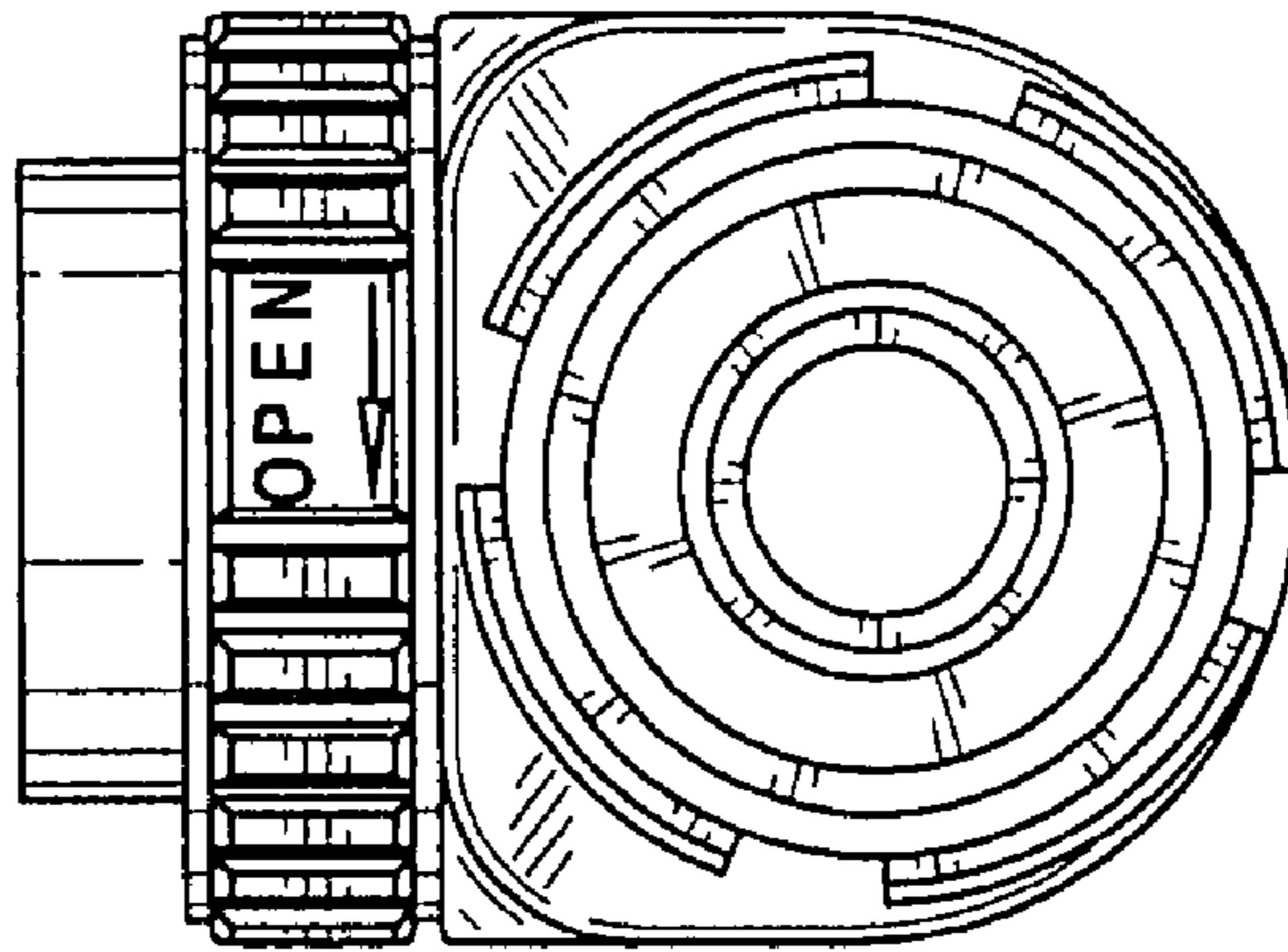


Fig. 7

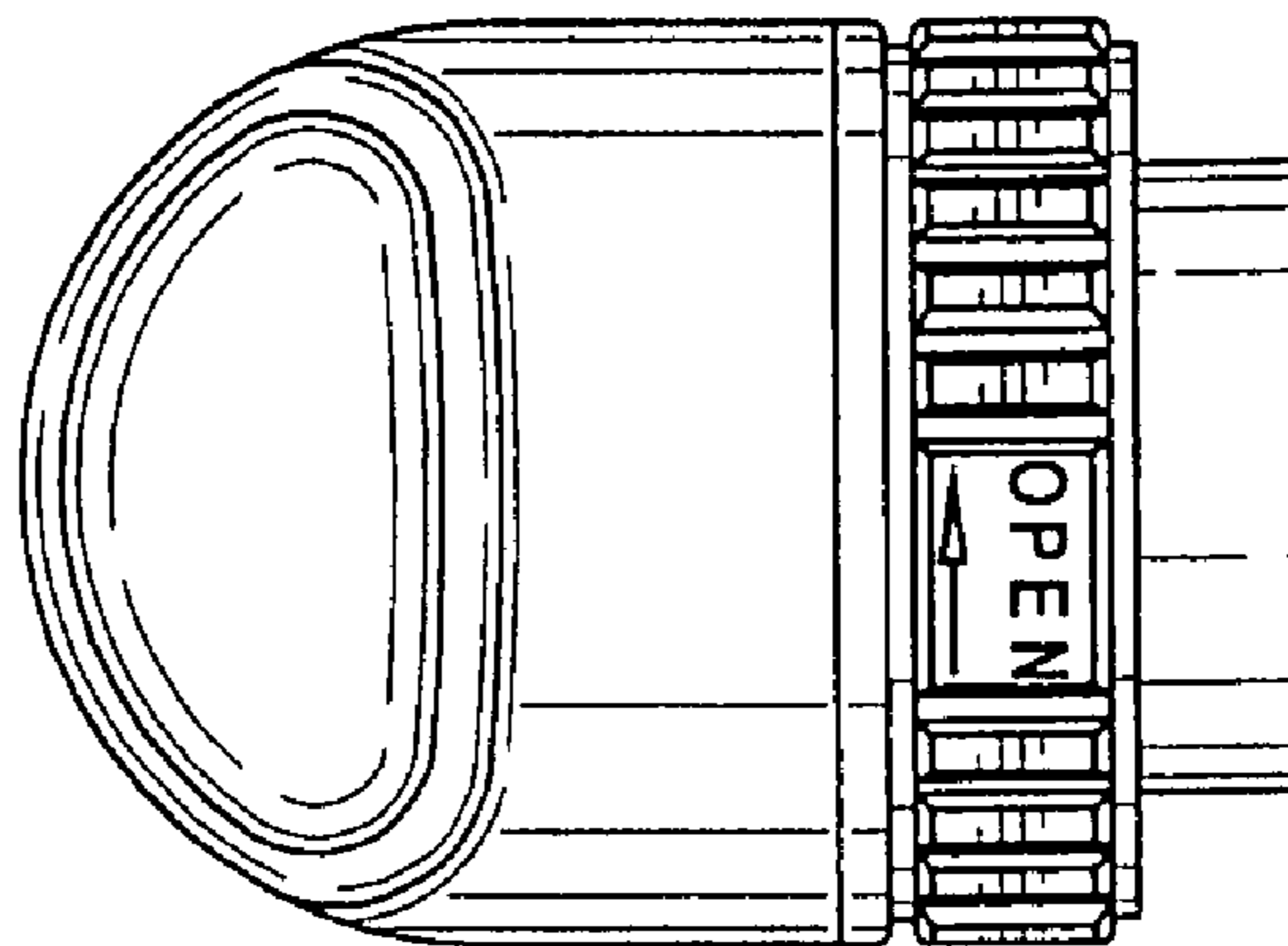


Fig. 8

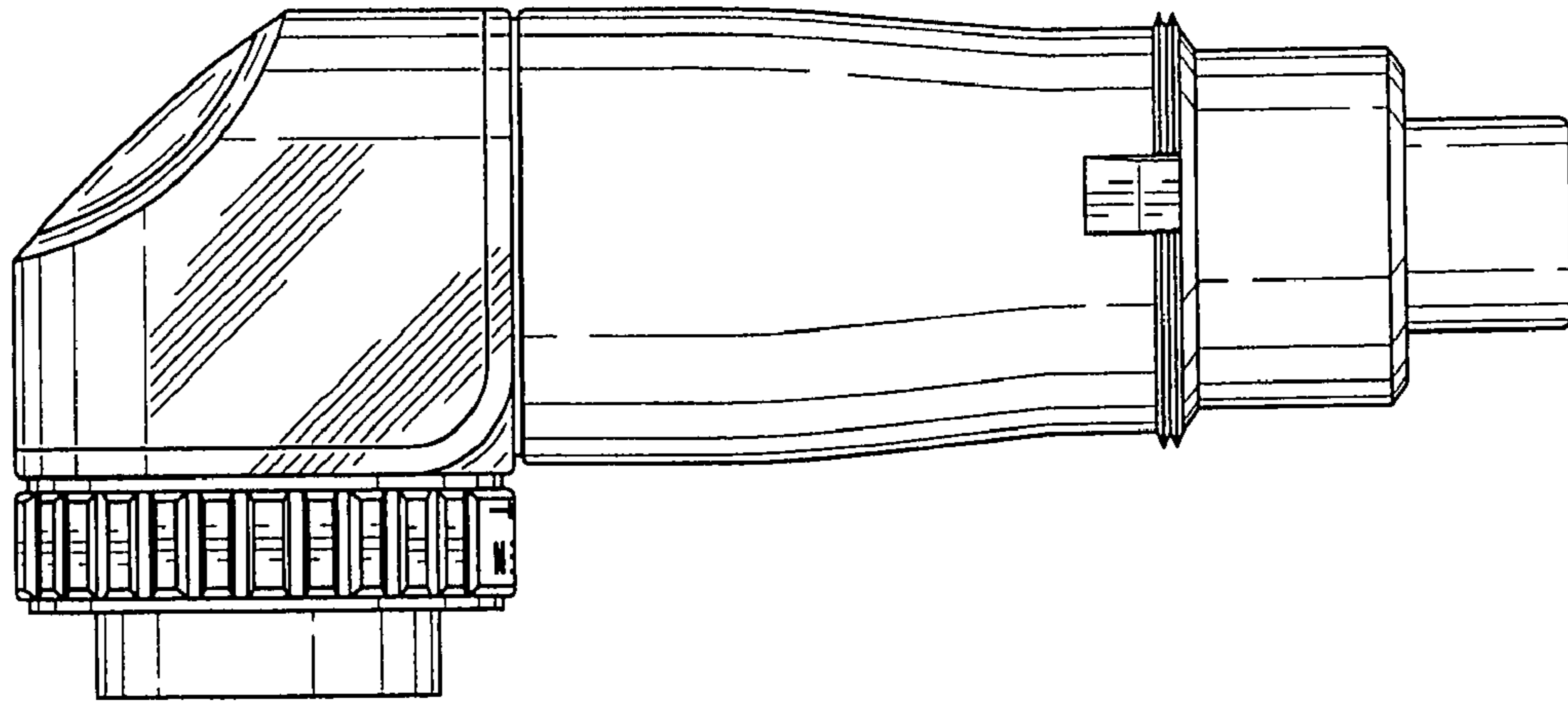


Fig. 9

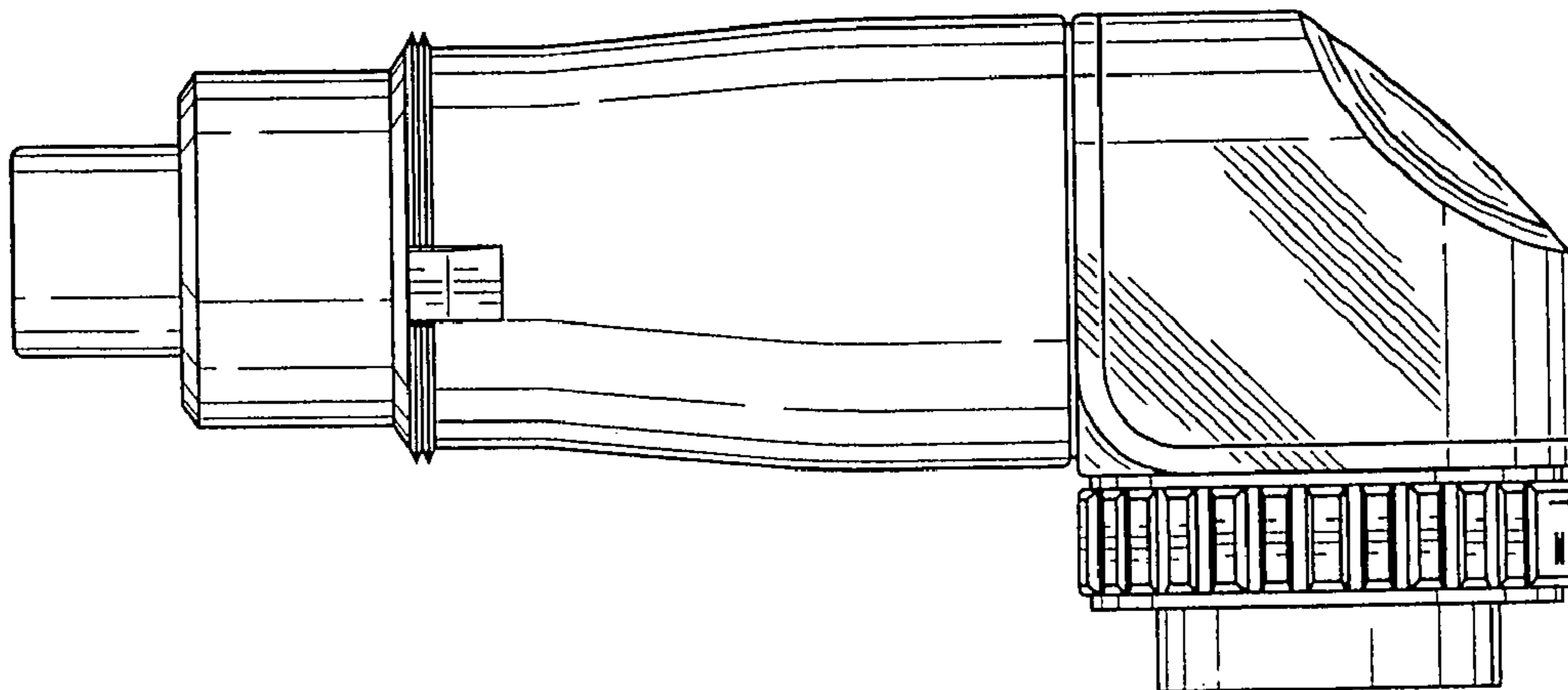


Fig. 10

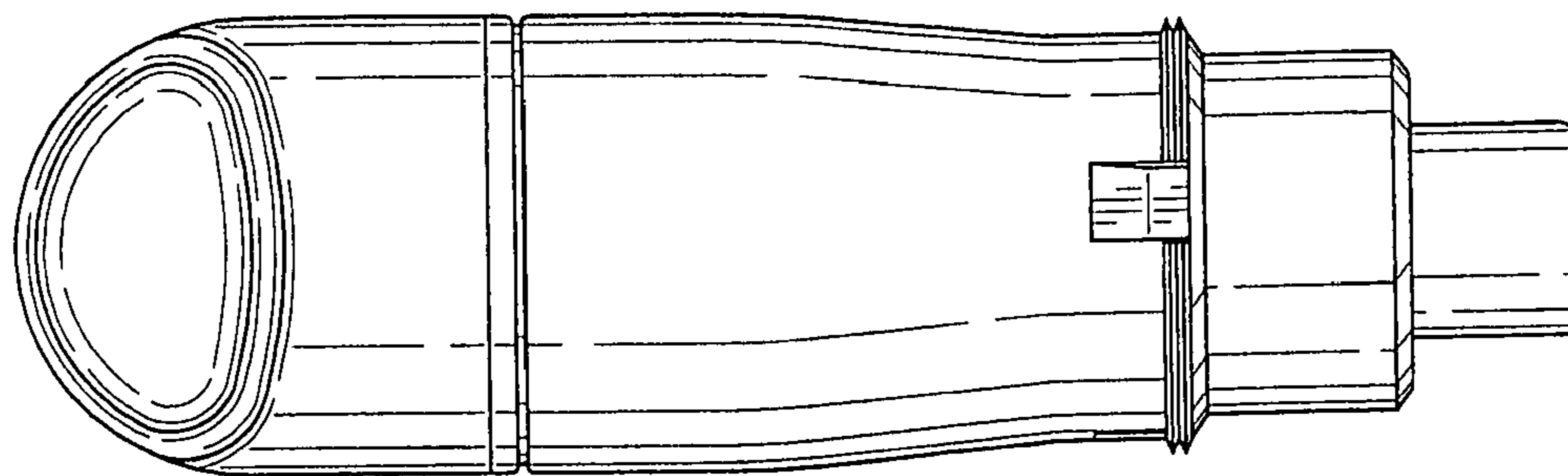


Fig. 11

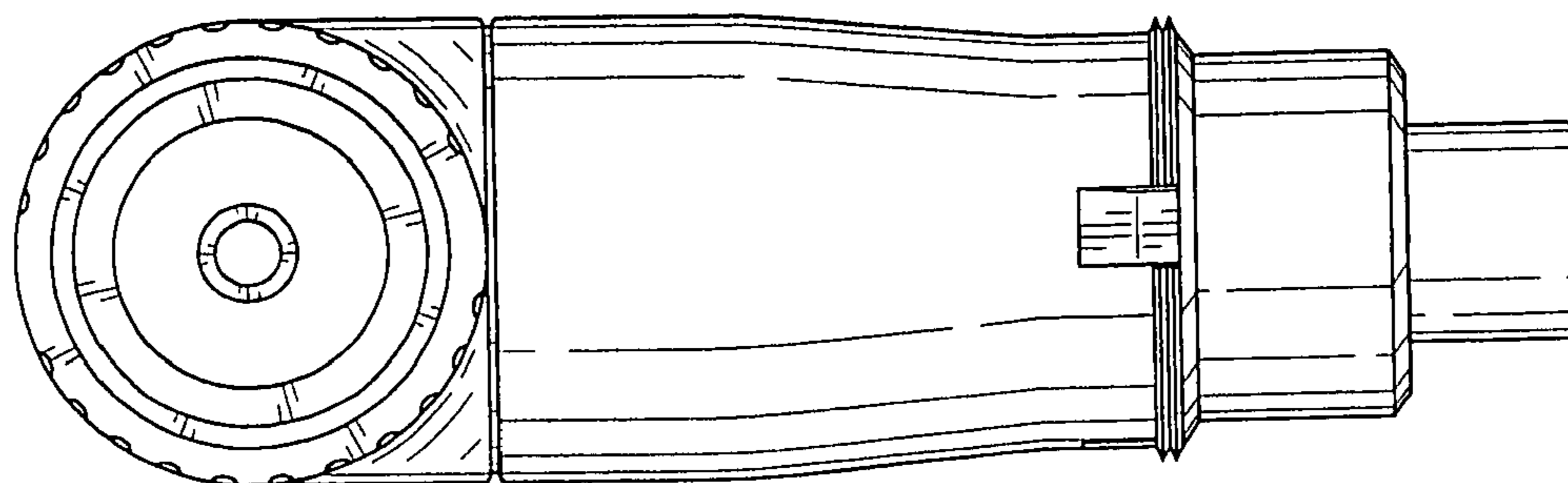


Fig. 12

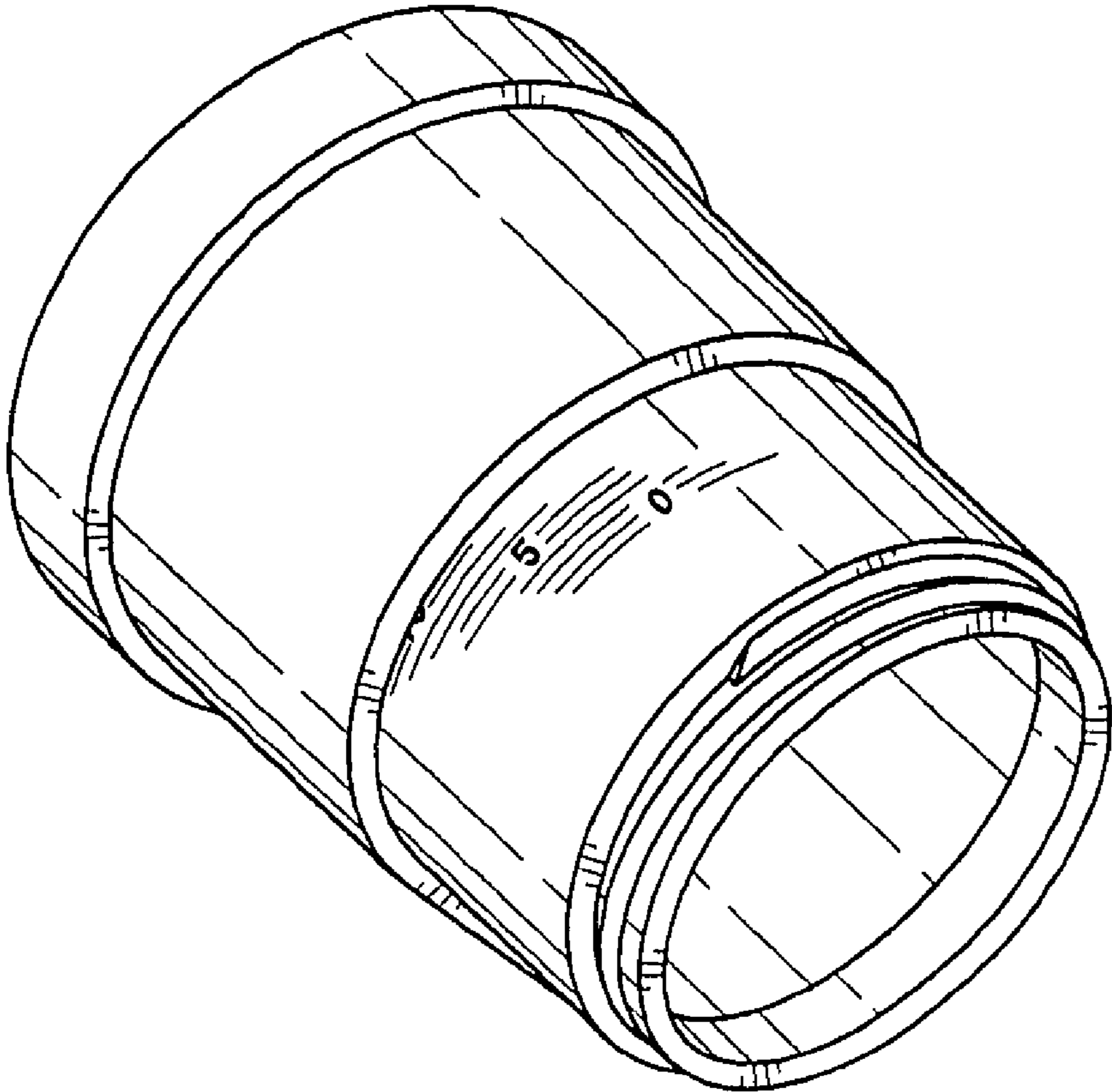


Fig. 13

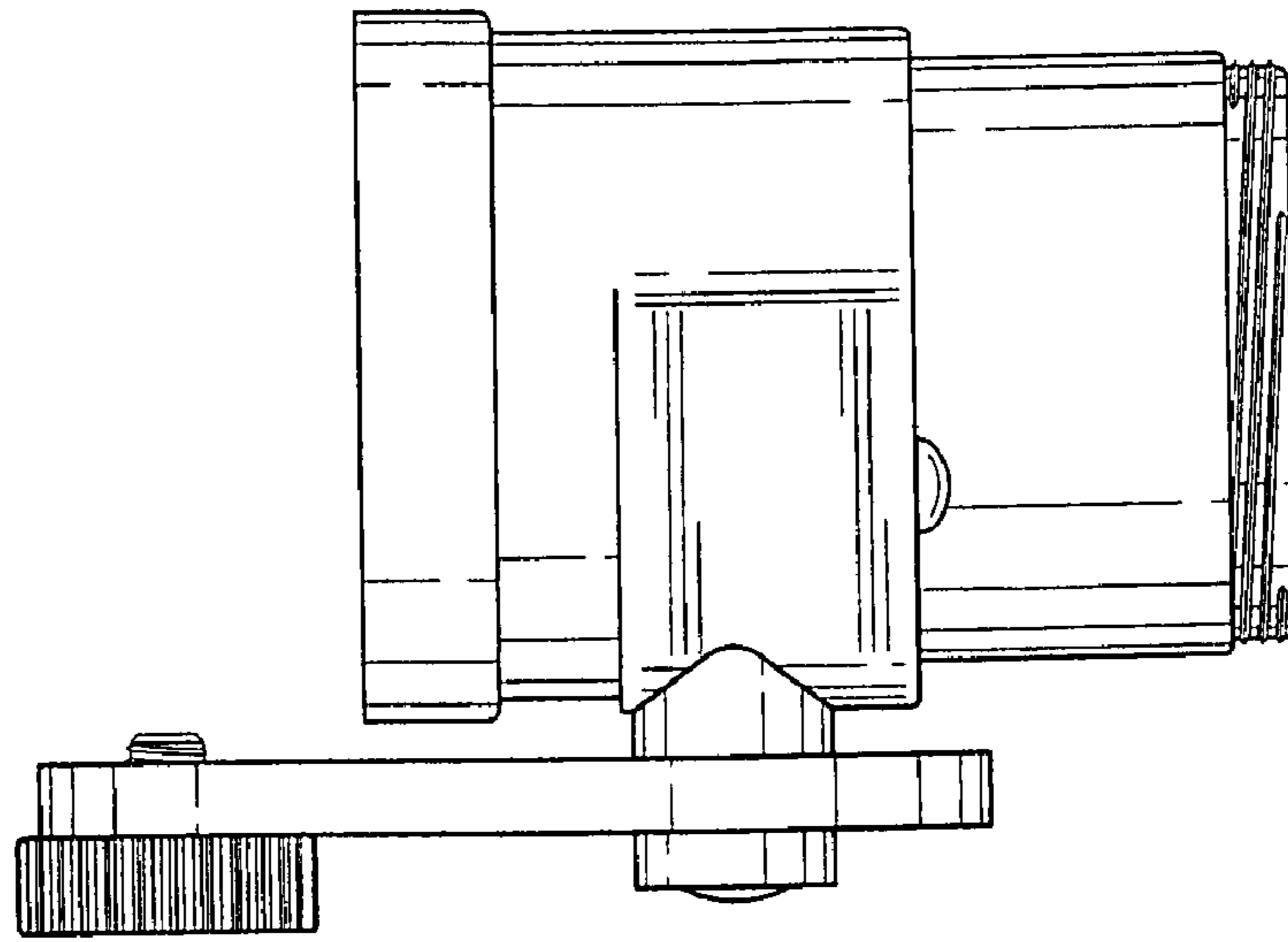


Fig. 14

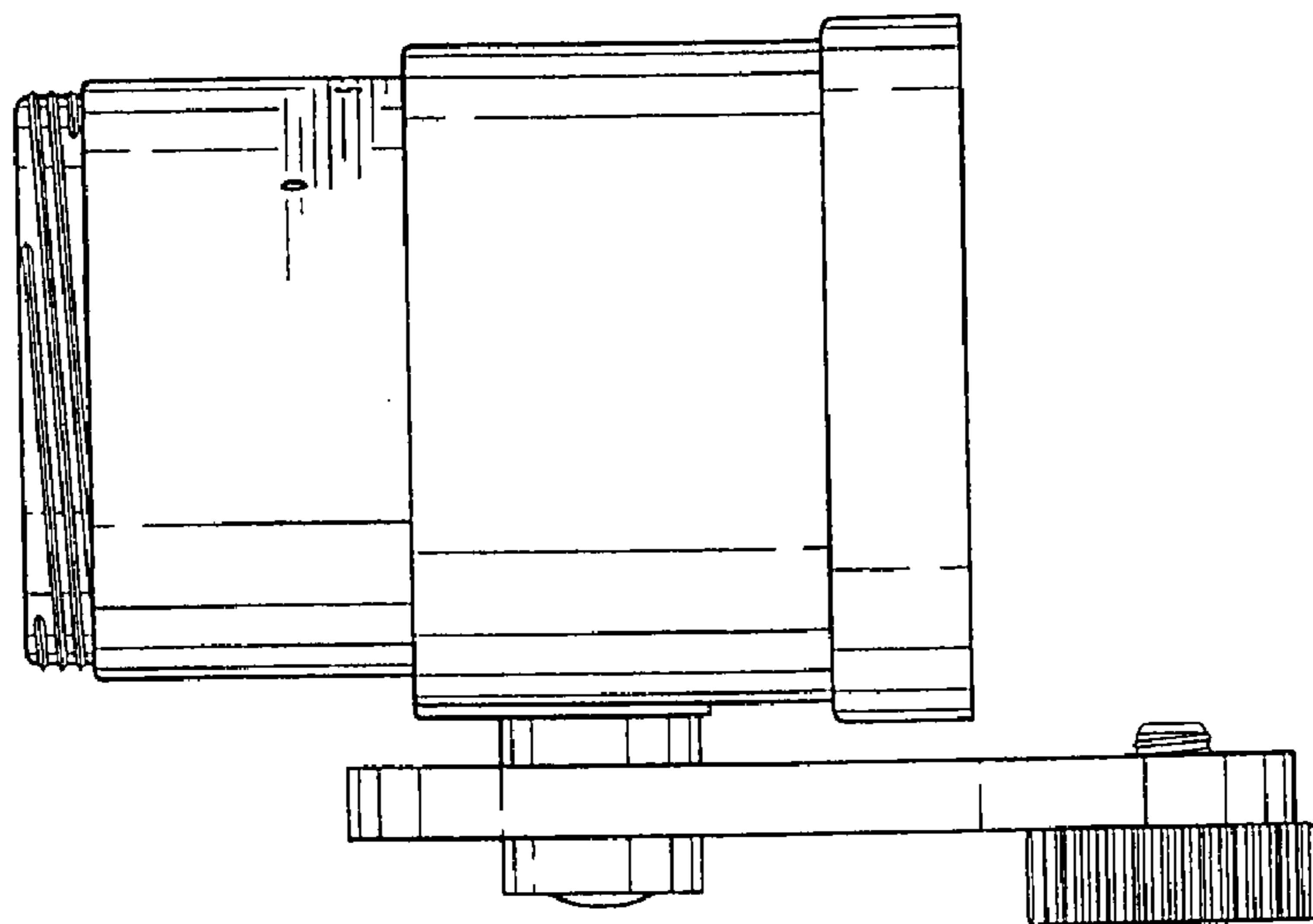


Fig. 15

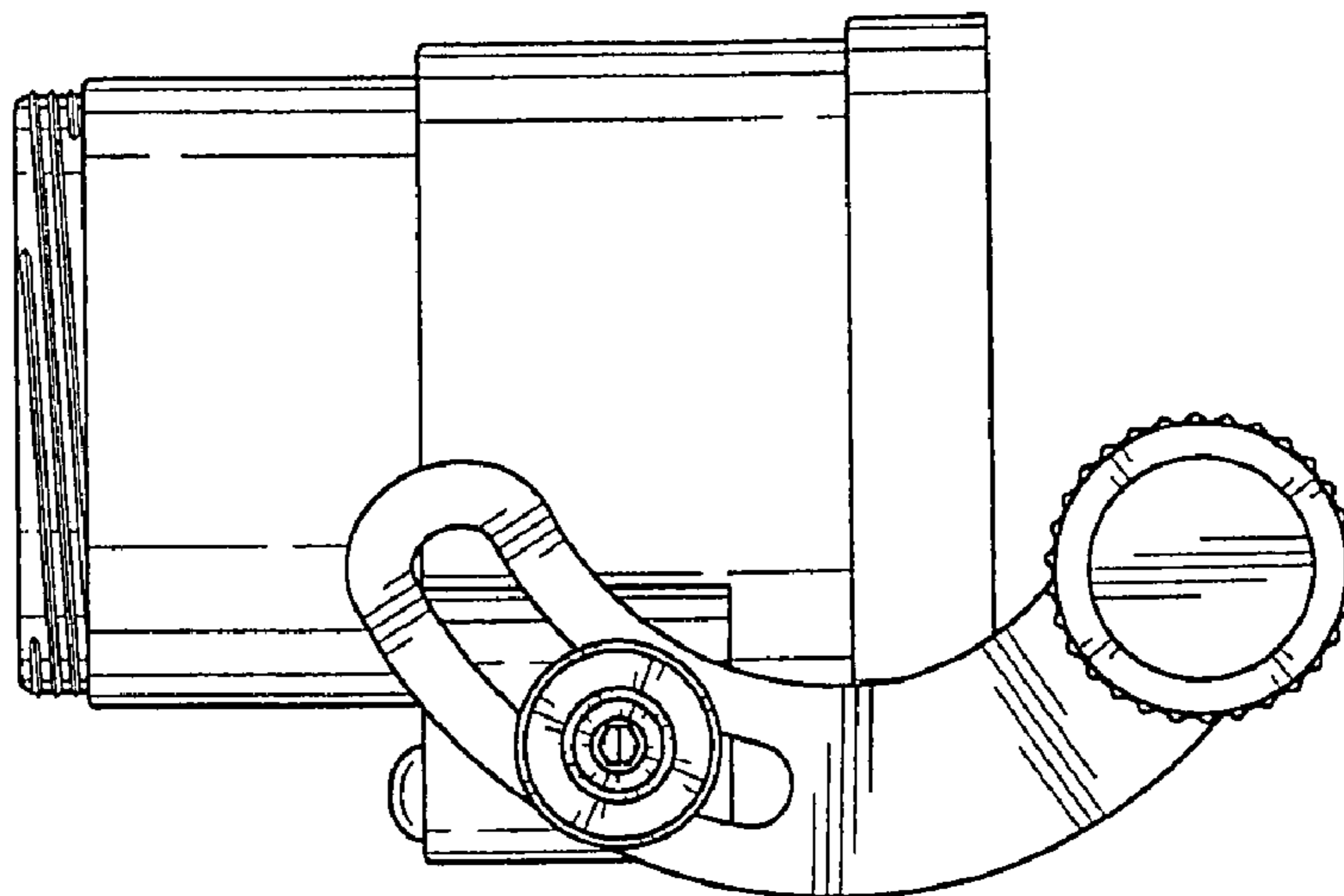


Fig. 16

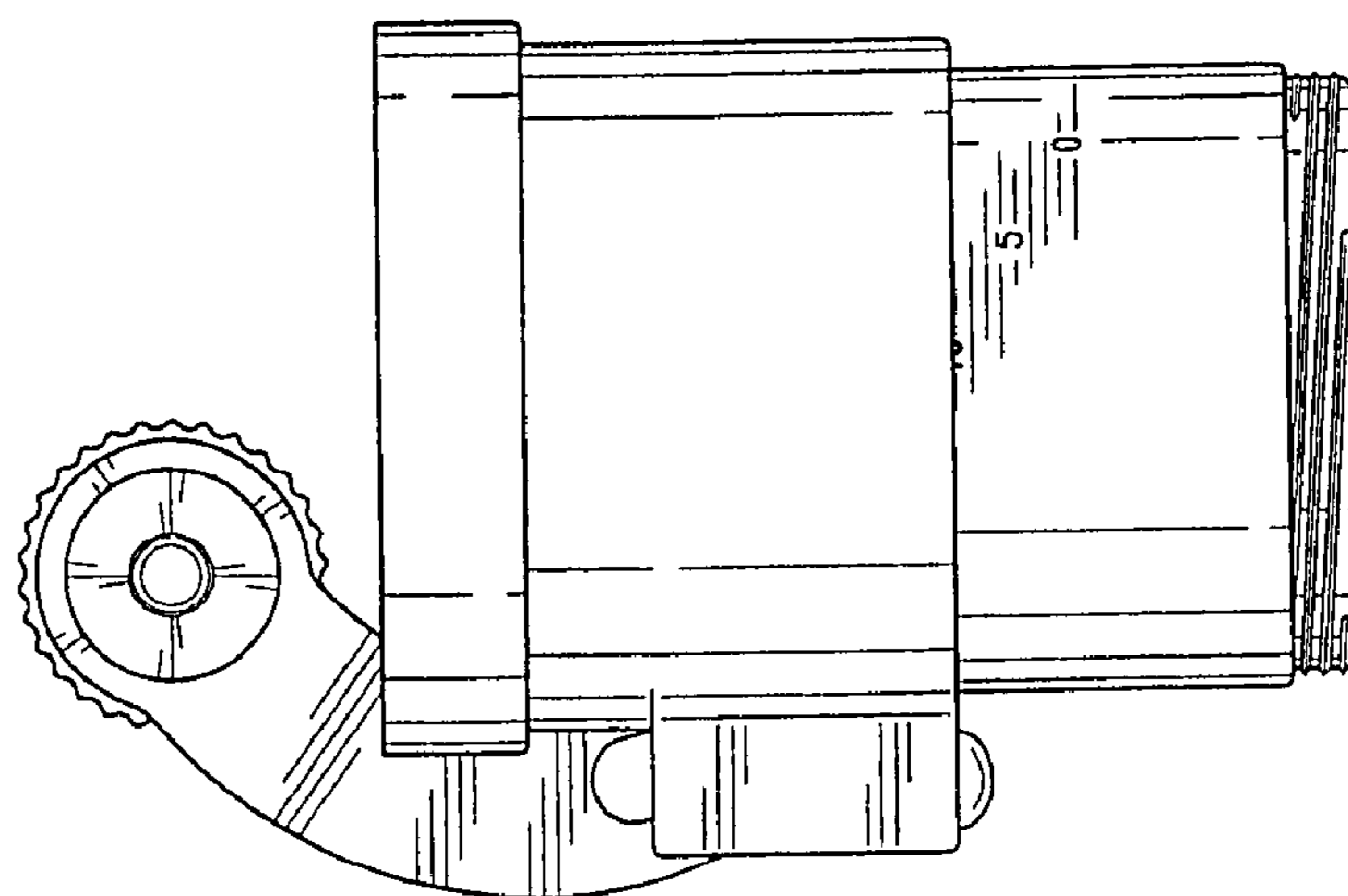


Fig. 17

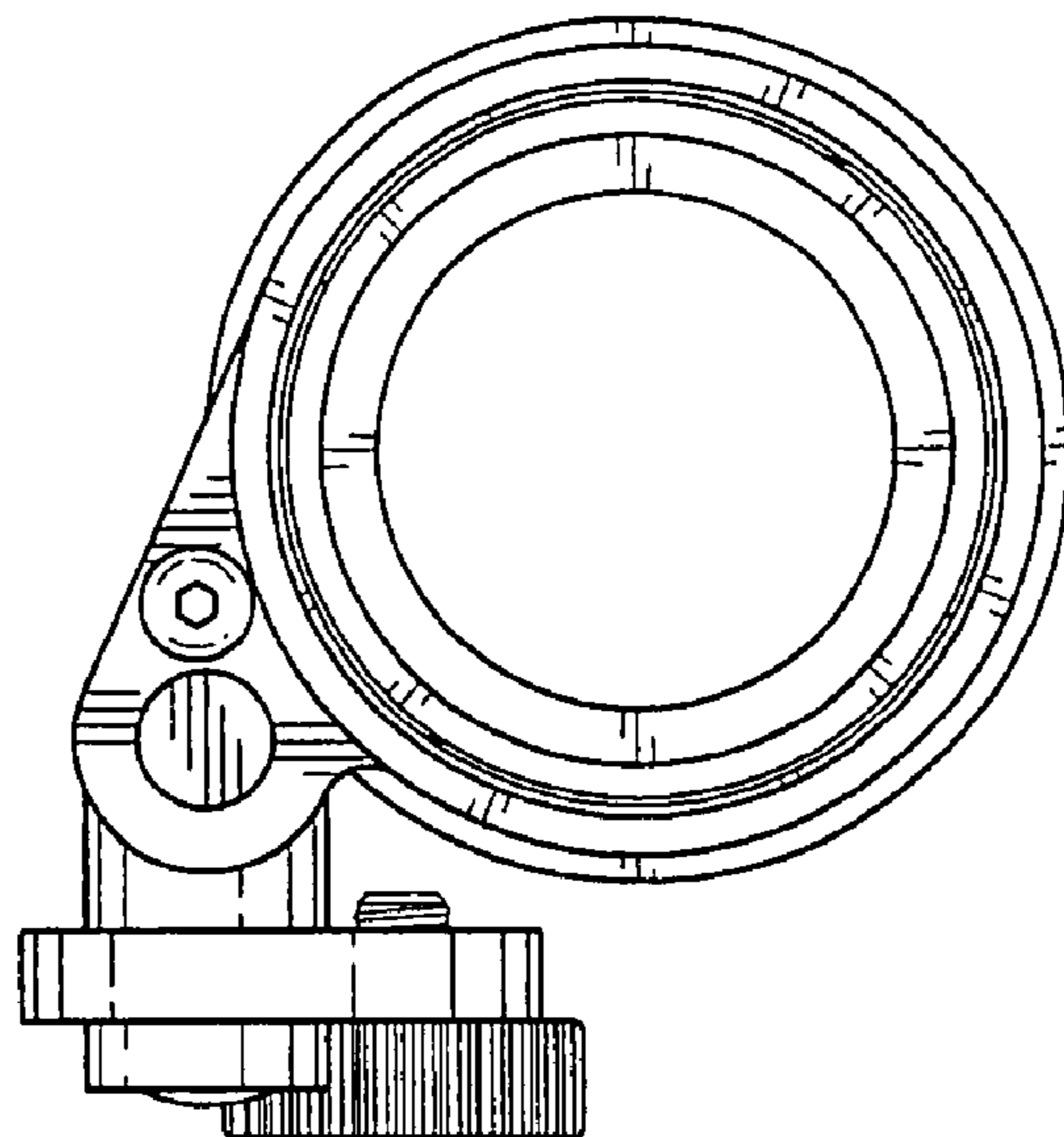


Fig. 18

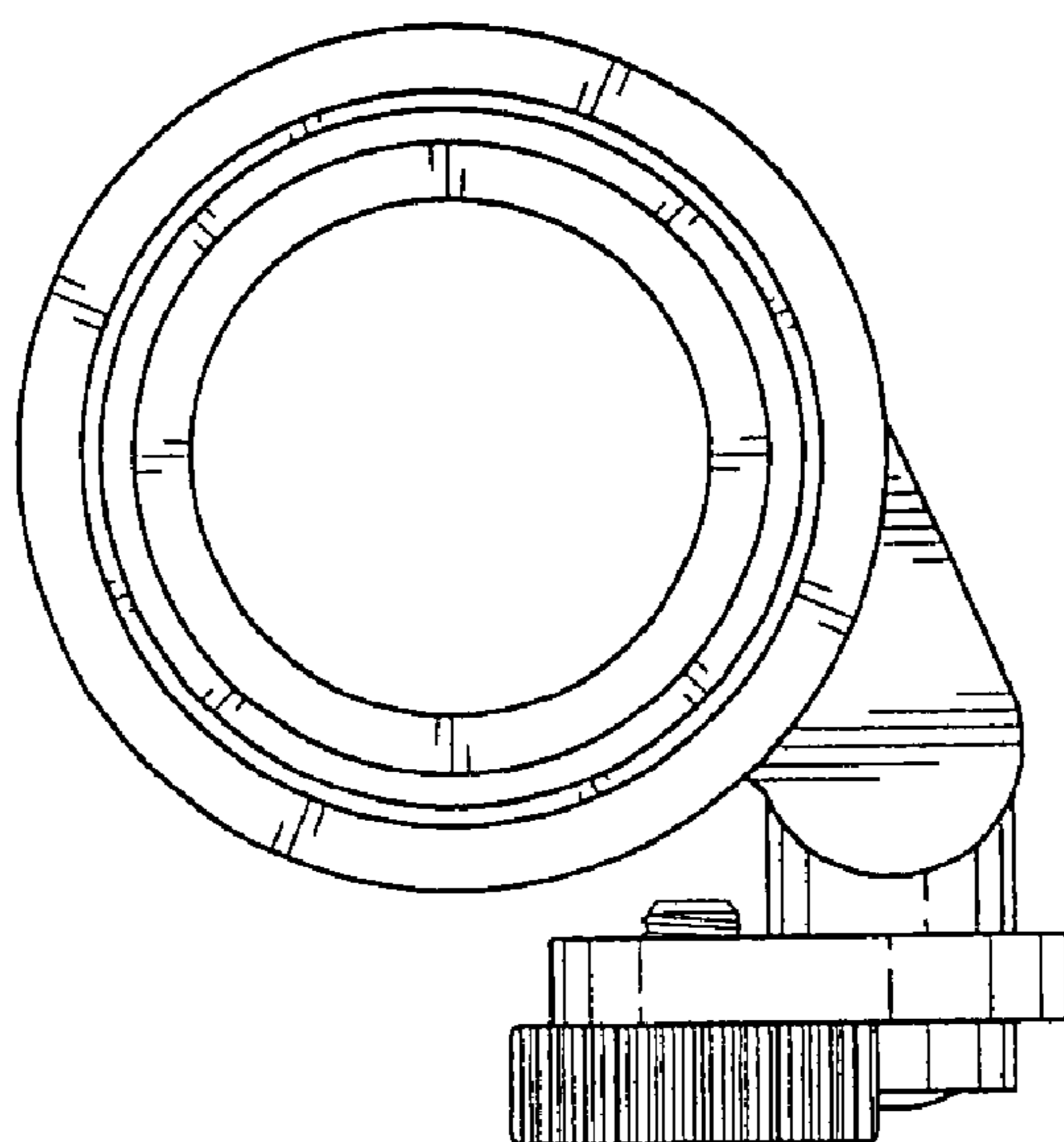


Fig. 19

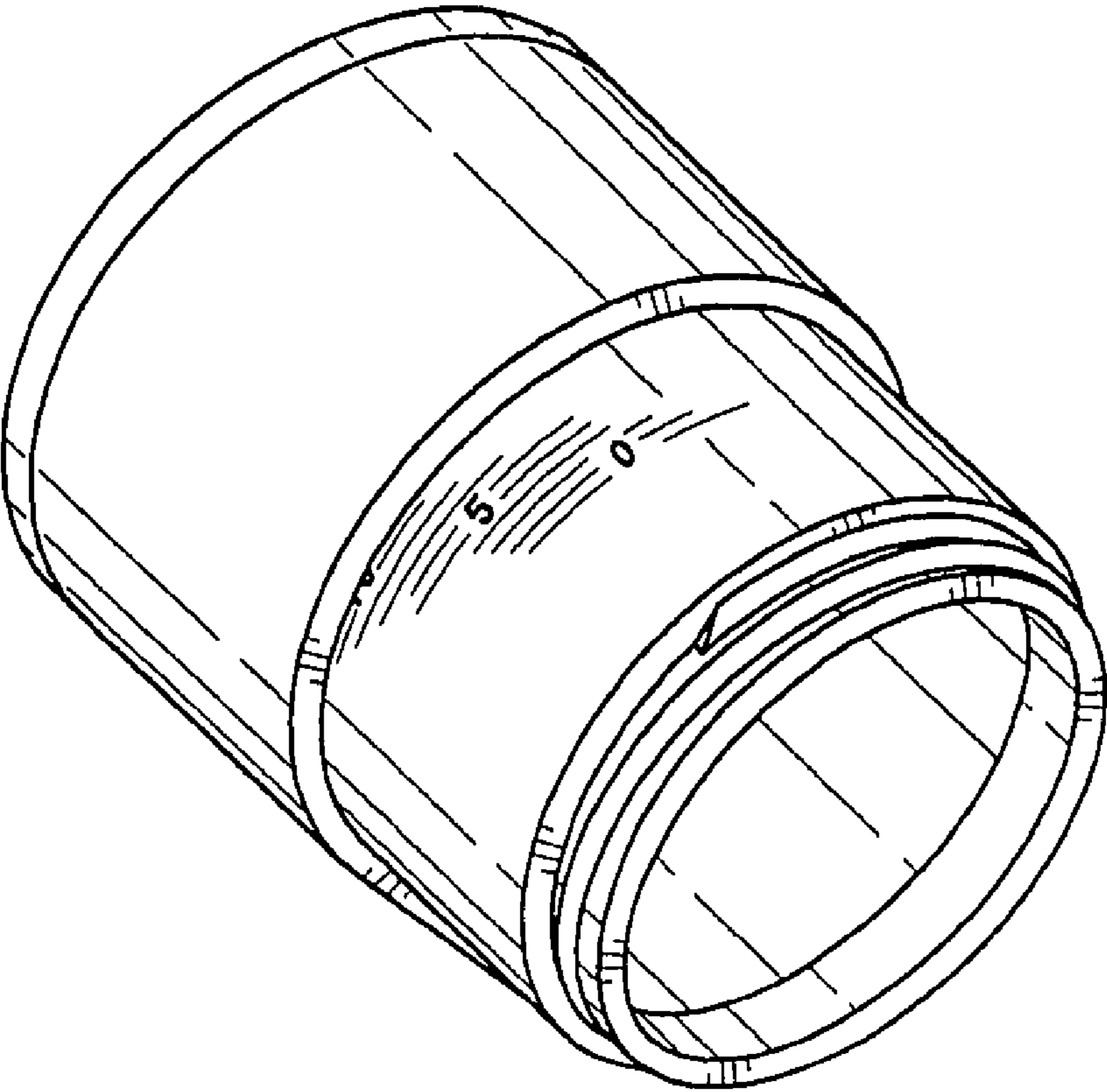


Fig. 20

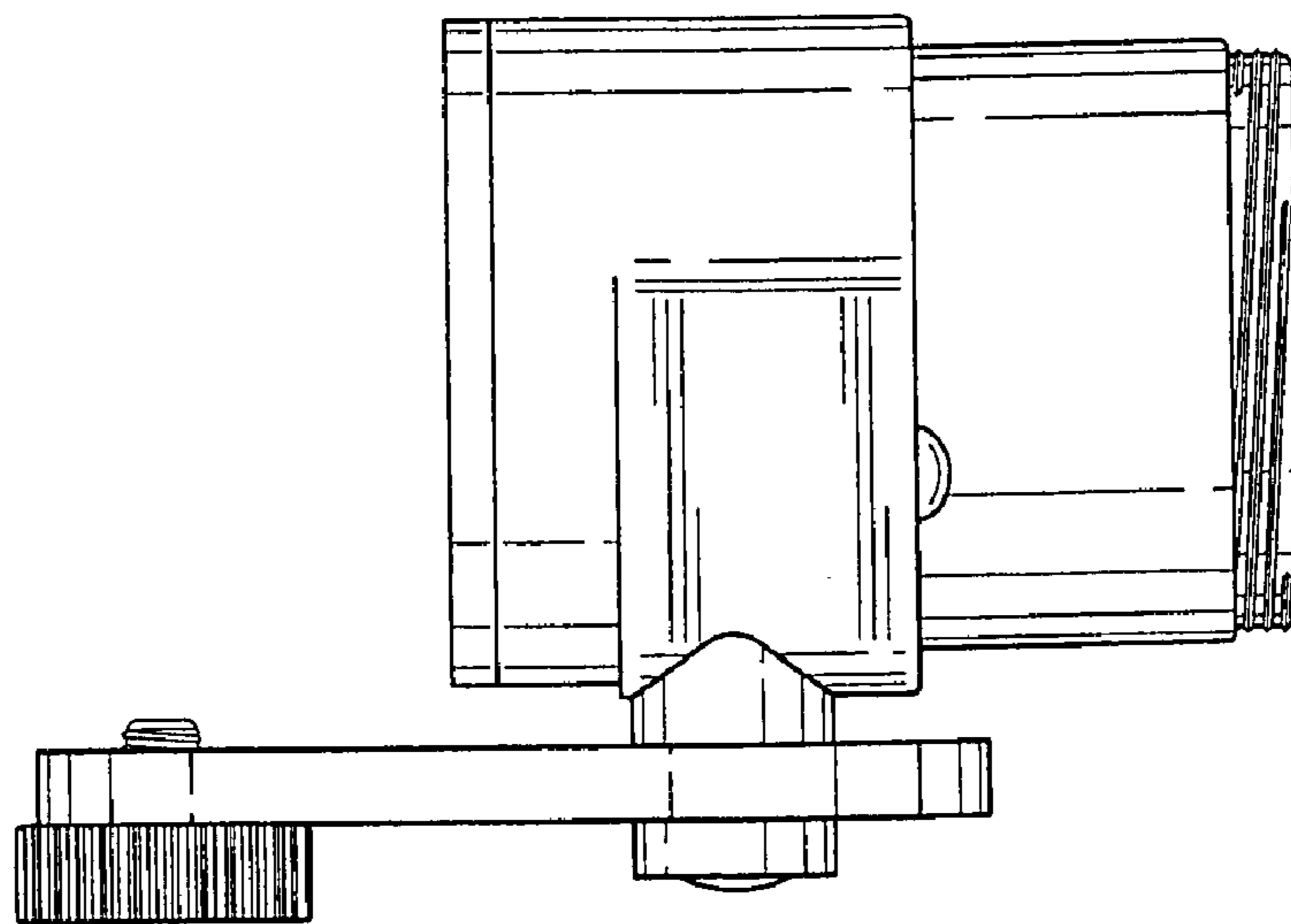


Fig. 21

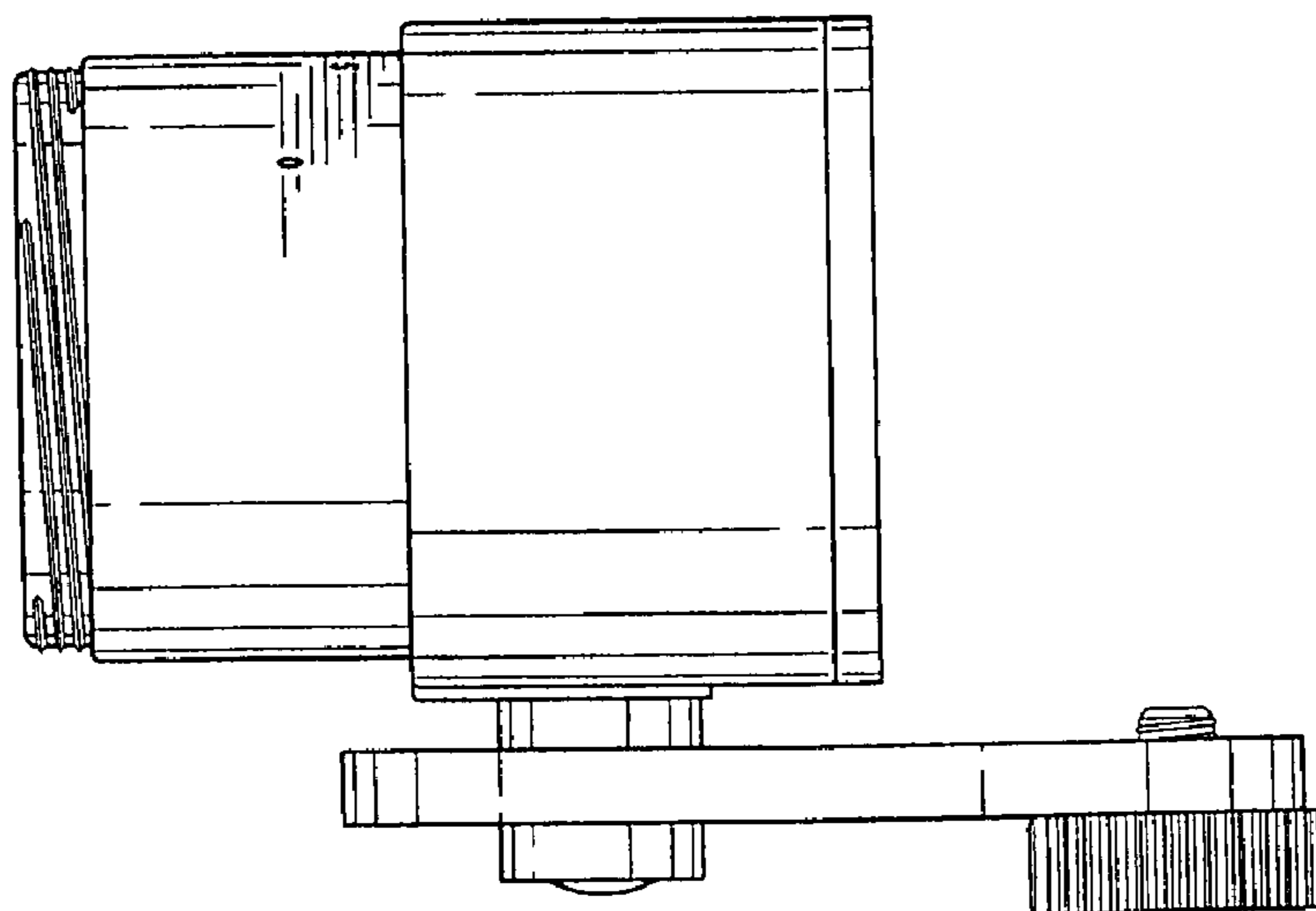


Fig. 22

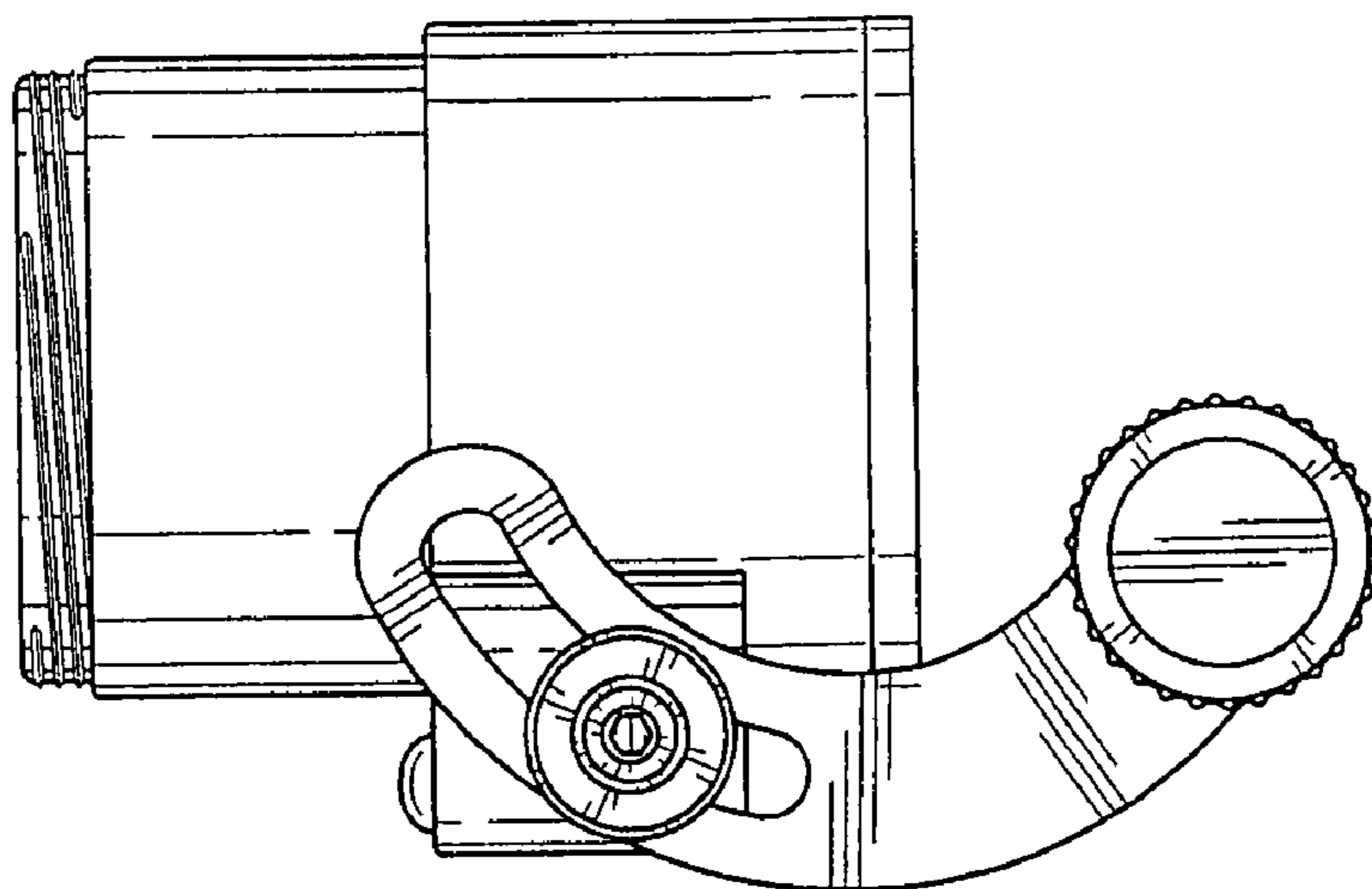


Fig. 23

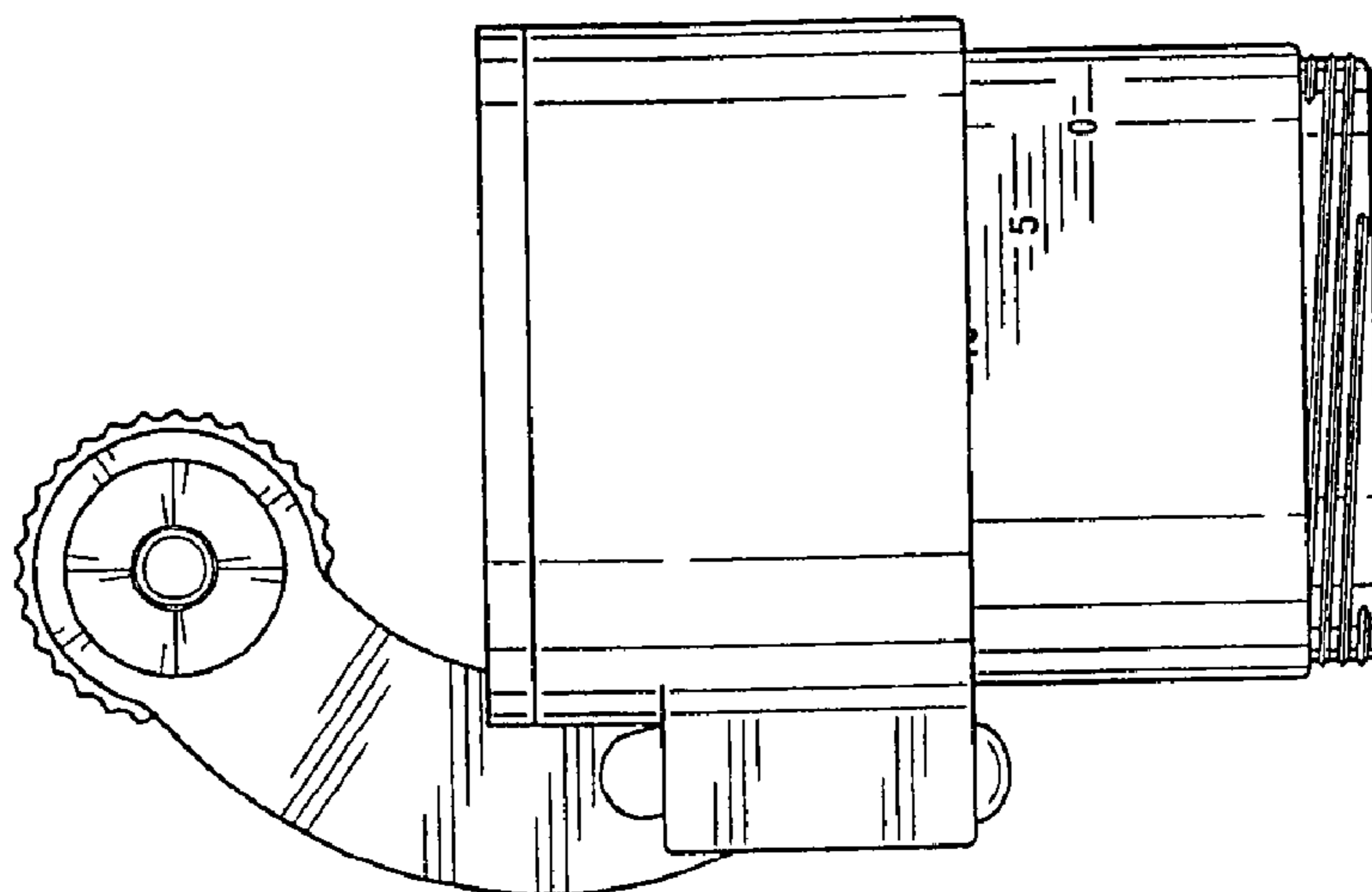


Fig. 24

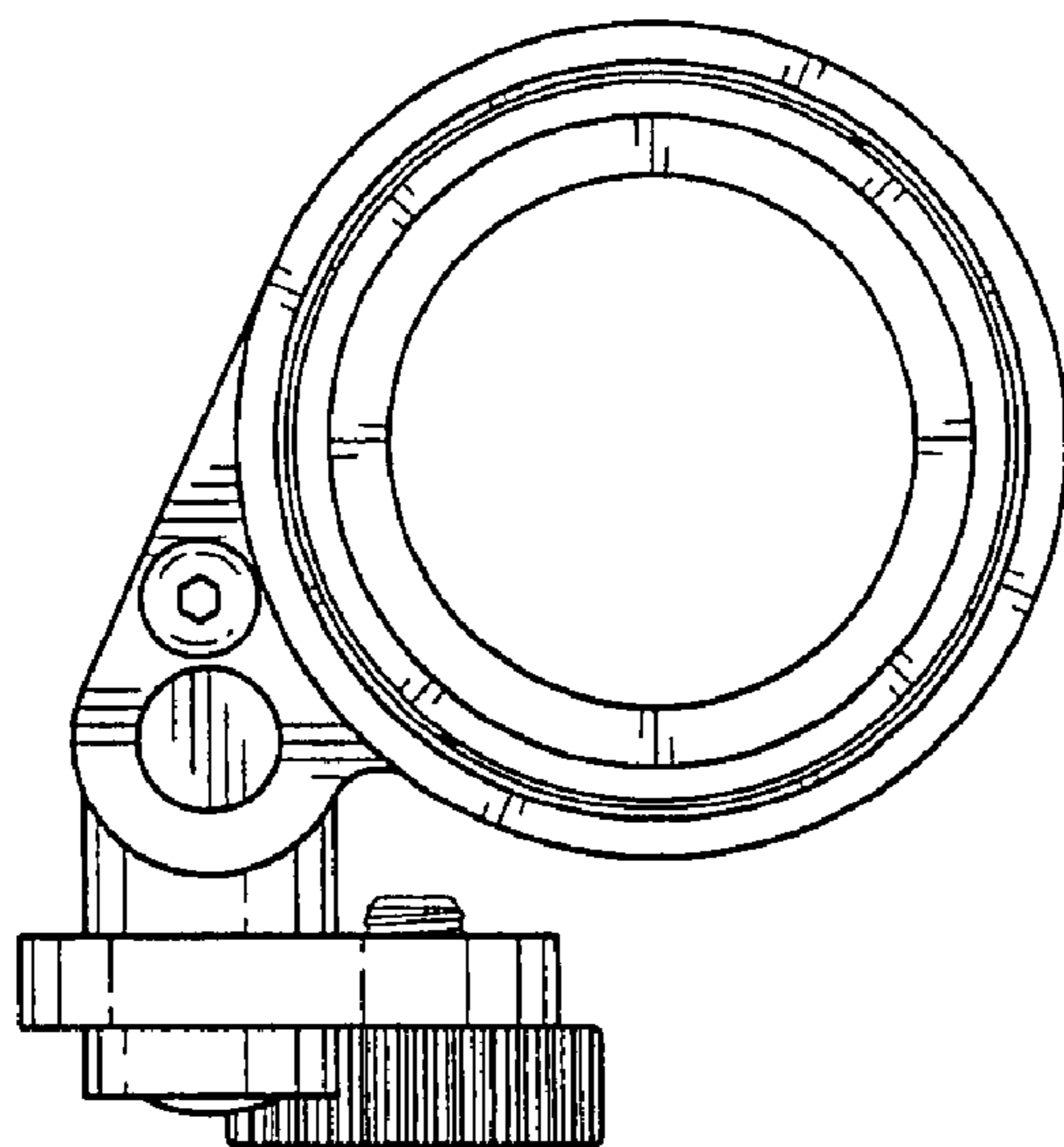


Fig. 25

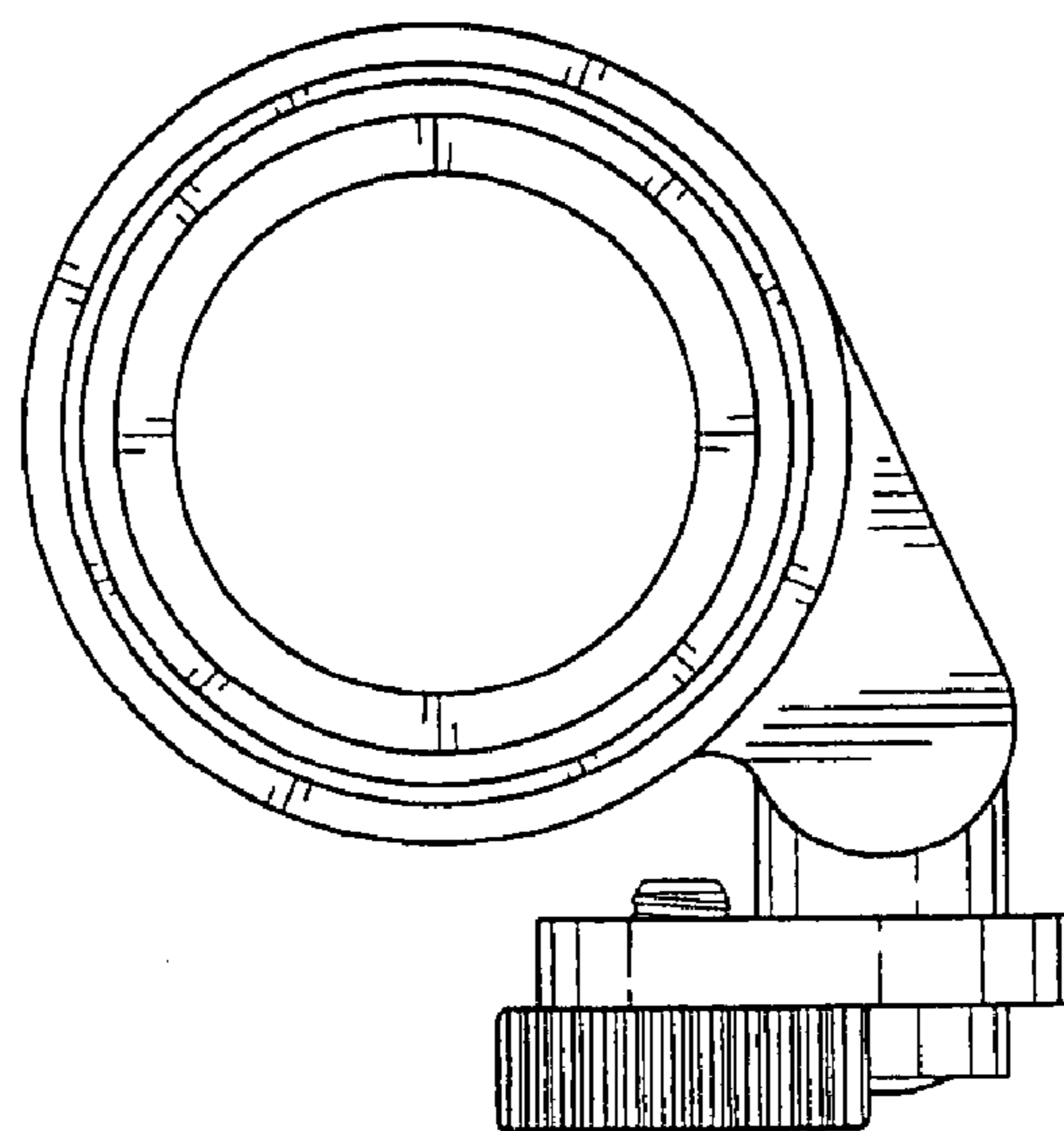


Fig. 26