



US00D594048S

(12) **United States Design Patent**  
**Yamakawa**

(10) **Patent No.:** **US D594,048 S**  
(45) **Date of Patent:** **\*\* Jun. 9, 2009**

(54) **SURVEILLANCE CAMERA**

D556,236 S \* 11/2007 Kim ..... D16/203  
D558,248 S 12/2007 Togawa et al.  
D564,557 S \* 3/2008 Yamamoto et al. .... D16/203

(75) Inventor: **Yasuki Yamakawa**, Kanagawa (JP)

(73) Assignee: **Panasonic Corporation**, Osaka (JP)

(\*\*) Term: **14 Years**

(21) Appl. No.: **29/317,422**

(22) Filed: **Apr. 29, 2008**

(30) **Foreign Application Priority Data**

Oct. 23, 2007 (JP) ..... 2007-029097

(51) **LOC (9) Cl.** ..... **16-01**

(52) **U.S. Cl.** ..... **D16/203**

(58) **Field of Classification Search** ..... D16/200-204,  
D16/218, 219; 348/143, 151, 373-376; 396/427,  
396/535-541

See application file for complete search history.

(56) **References Cited**

**U.S. PATENT DOCUMENTS**

6,268,882 B1 \* 7/2001 Elberbaum ..... 348/151  
D494,992 S \* 8/2004 Seo ..... D16/203  
D497,927 S \* 11/2004 Arbuckle et al. .... D16/203  
D508,934 S 8/2005 Nagai  
D513,028 S \* 12/2005 Maruyama ..... D16/203

**FOREIGN PATENT DOCUMENTS**

JP D1202764 4/2004  
JP D1221067 10/2004  
JP D1295344 3/2007

\* cited by examiner

*Primary Examiner*—Adir Aronovich

(74) *Attorney, Agent, or Firm*—Brinks Hofer Gilson & Lione

(57) **CLAIM**

I claim the ornamental design for a surveillance camera, as shown and described.

**DESCRIPTION**

FIG. 1 is a front perspective view of a surveillance camera of the present invention;

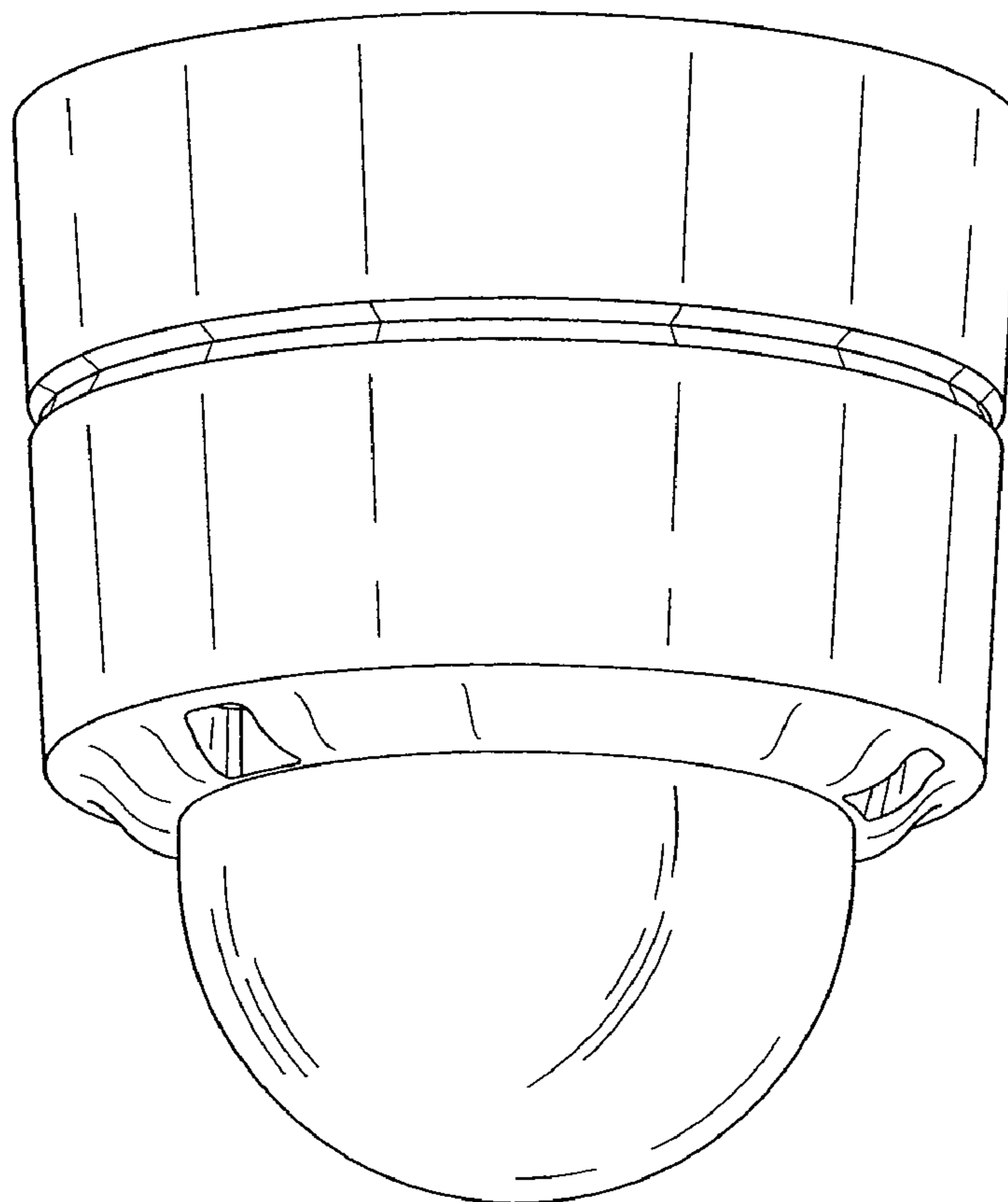
FIG. 2 is a rear elevational view thereof;

FIG. 3 is a front elevational view thereof;

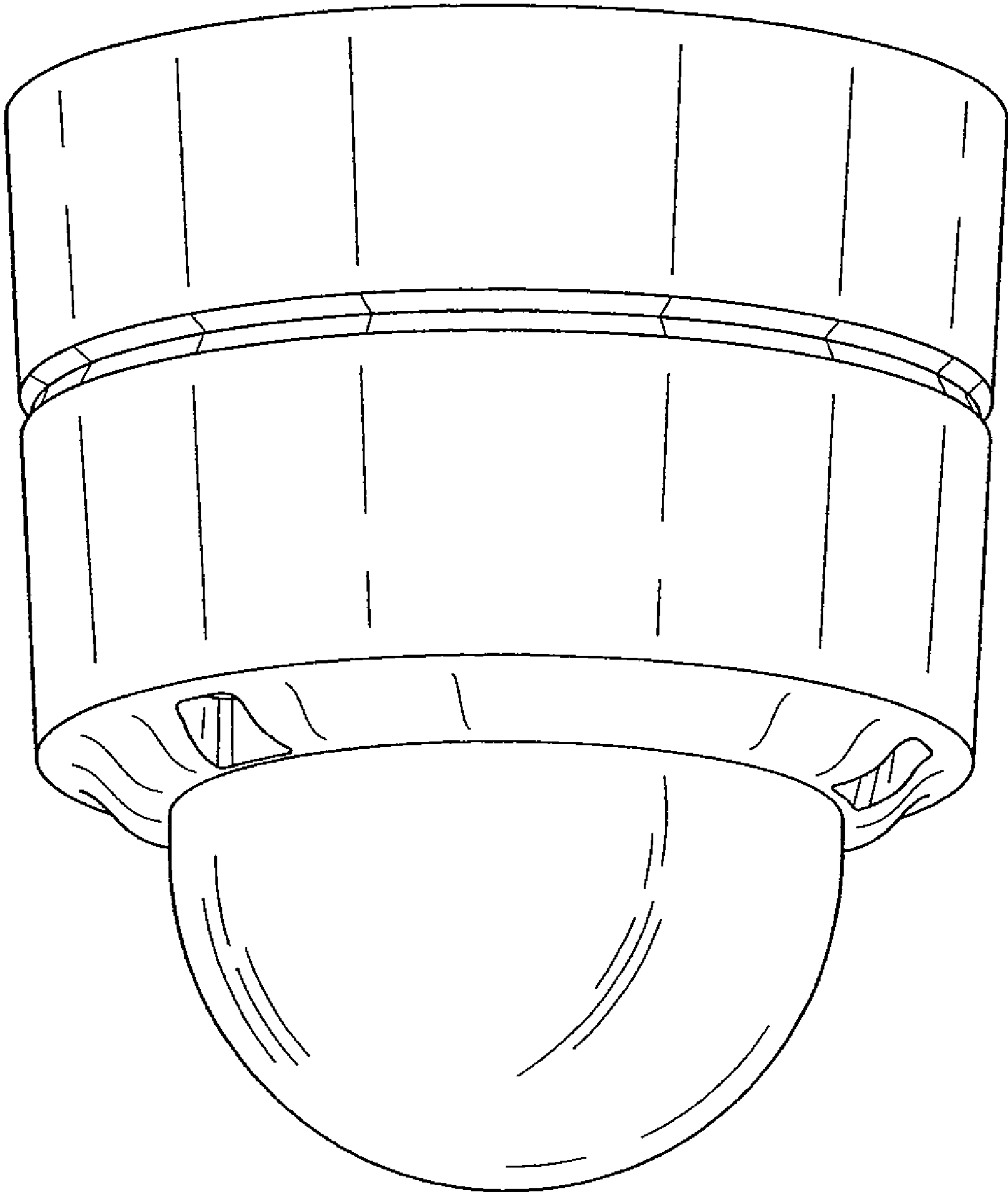
FIG. 4 is a right side elevational view, the undisclosed left view being a mirror image thereof; and,

FIG. 5 is a top plan view thereof.

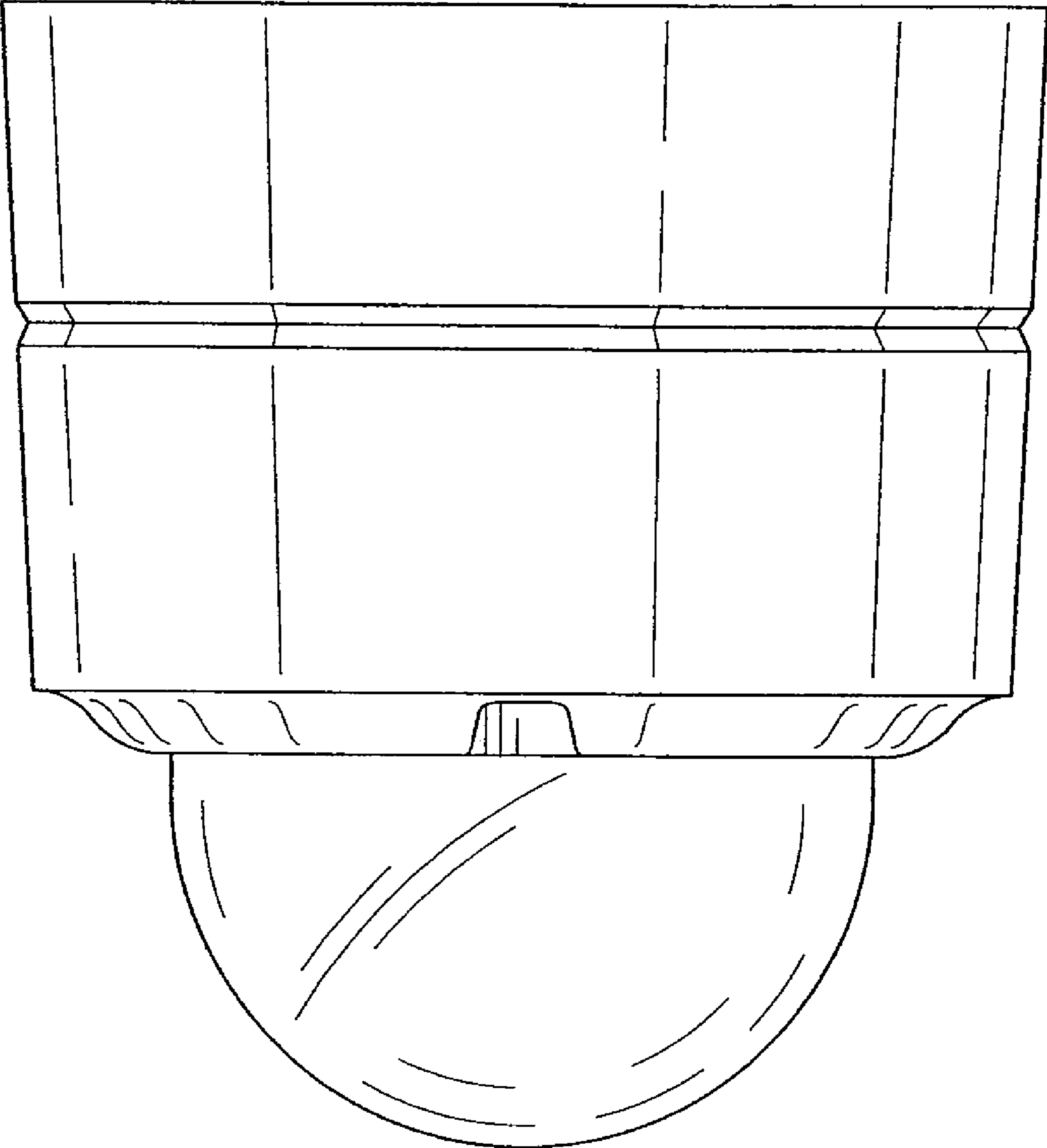
**1 Claim, 5 Drawing Sheets**



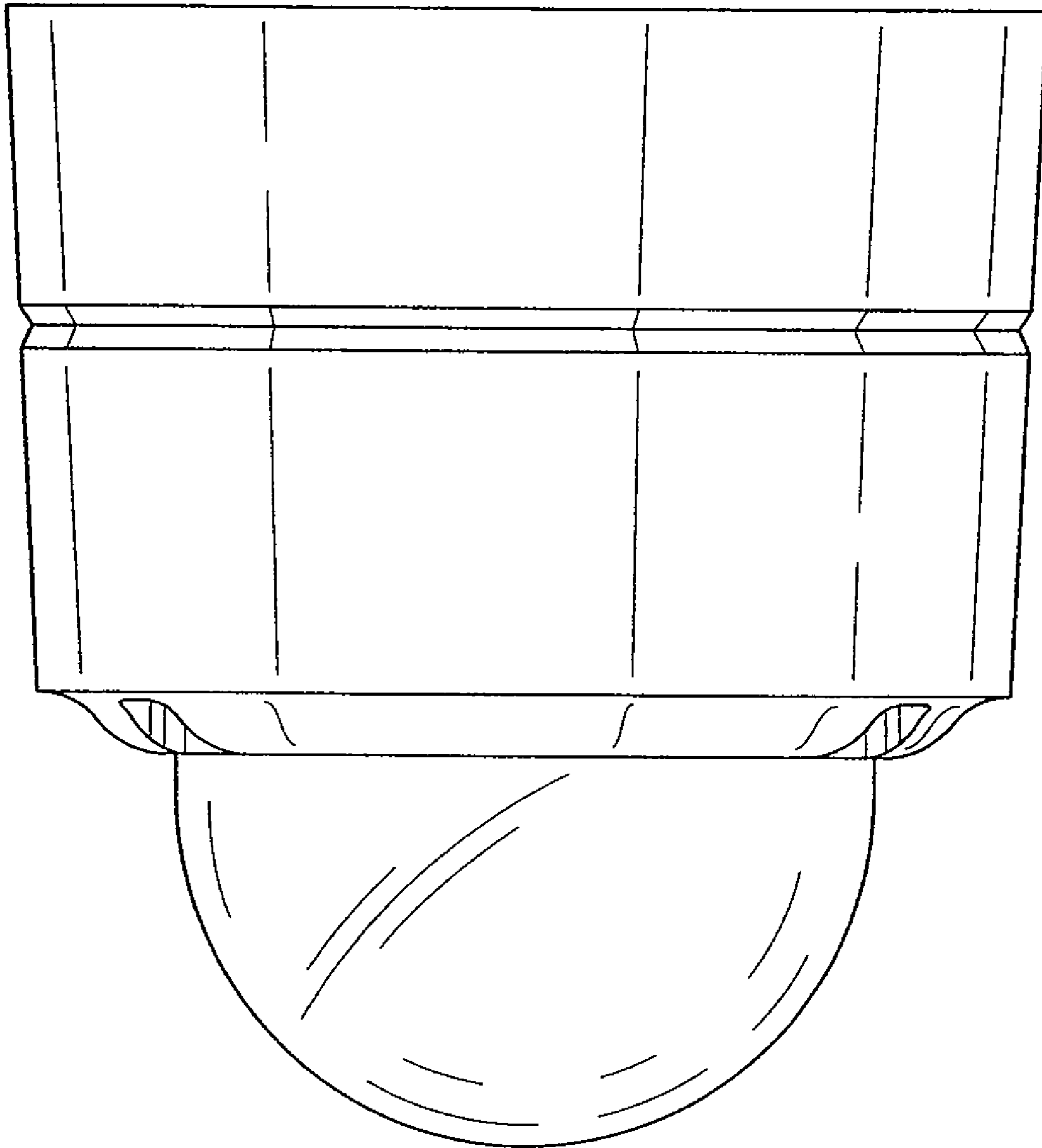
**FIG.1**



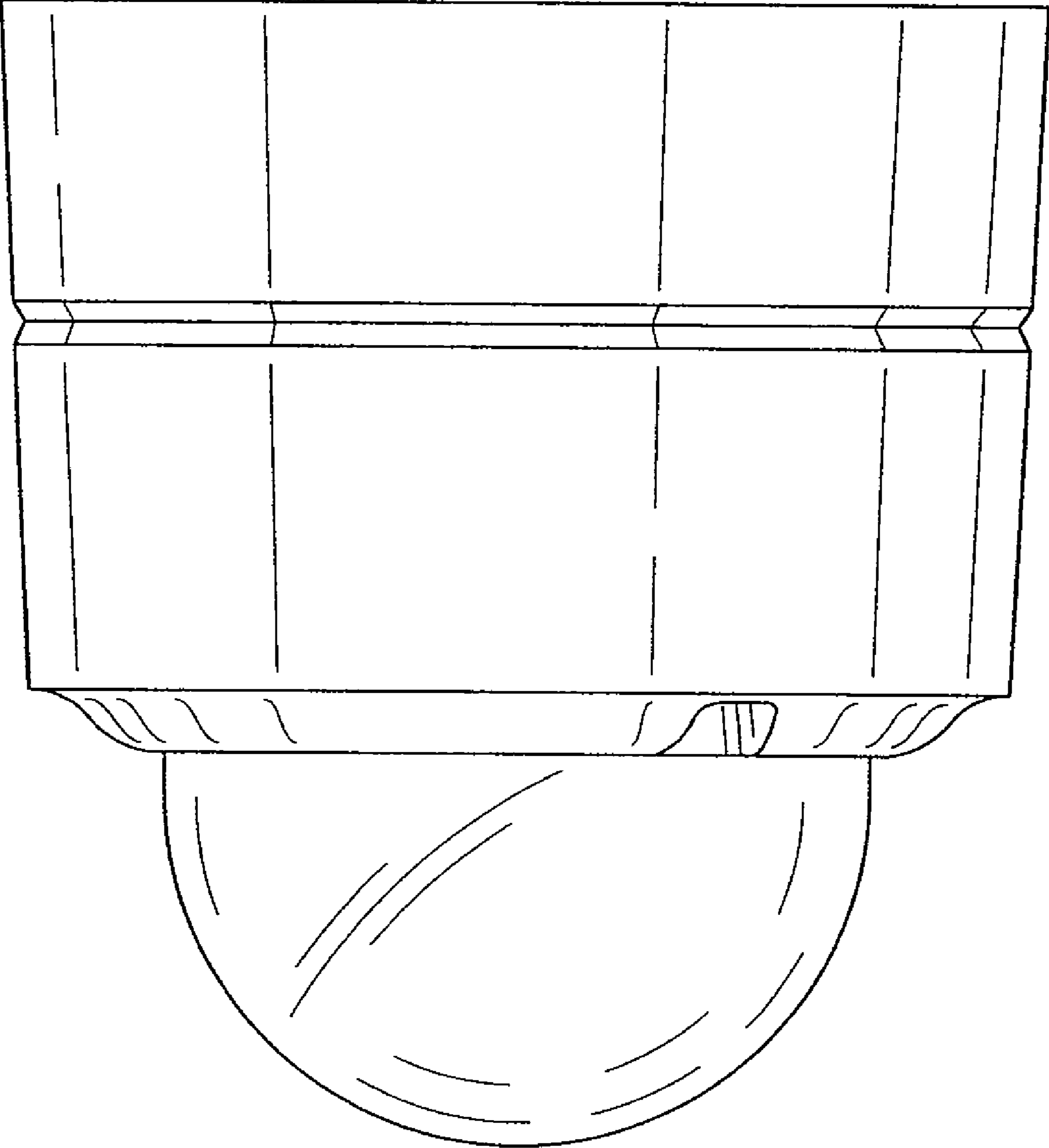
**FIG. 2**



**FIG.3**



**FIG.4**



**FIG.5**

