



US00D594043S

(12) **United States Design Patent**
Malmberg

(10) **Patent No.:** **US D594,043 S**
(45) **Date of Patent:** **** Jun. 9, 2009**

(54) **CERAMIC WEAR PLATE**

2004/0149142 A1* 8/2004 Groll 99/426
2005/0236305 A1* 10/2005 Schulte et al. 209/403

(75) Inventor: **Mats Malmberg**, Rydsgård (SE)

* cited by examiner

(73) Assignee: **Sandvik Intellectual Property AB**,
Sandviken (SE)

Primary Examiner—Sandra Snapp
Assistant Examiner—Patricia Palasik

(**) Term: **14 Years**

(74) *Attorney, Agent, or Firm*—Drinker Biddle & Reath LLP

(21) Appl. No.: **29/258,775**

(57) **CLAIM**

(22) Filed: **Apr. 27, 2006**

The ornamental design for a ceramic wear plate, as shown and described.

(30) **Foreign Application Priority Data**

Oct. 28, 2005 (SE) 05-0641

DESCRIPTION

(51) **LOC (9) Cl.** **15-99**

FIG. 1 is a top view of the first embodiment of the ceramic wear plate.

(52) **U.S. Cl.** **D15/144**

FIG. 2 is a back-side view of the first embodiment of the ceramic wear plate shown in FIG. 1, the front-side being a mirror image thereof.

(58) **Field of Classification Search** D5/1-4,
D5/11, 12, 15, 19; D15/147, 199; D25/33;
209/319, 403; 210/155, 488, 489, 495, 499

FIG. 3 is a right-side view of the first embodiment of the ceramic wear plate shown in FIG. 1, the left-side being a mirror image thereof.

See application file for complete search history.

FIG. 4 is a bottom view of the first embodiment of the ceramic wear plate shown in FIG. 1.

(56) **References Cited**

U.S. PATENT DOCUMENTS

D29,933 S *	1/1899	Hodge	D15/21
1,422,146 A *	7/1922	Tackenberg	52/592.3
3,577,581 A *	5/1971	Stata	15/215
4,325,205 A	4/1982	Salim et al.		
4,348,442 A *	9/1982	Figge	428/72
4,425,677 A *	1/1984	Cox	15/104.92
4,855,194 A *	8/1989	Wright	429/38
5,385,669 A *	1/1995	Leone, Sr.	210/488
D366,040 S *	1/1996	Leone et al.	D15/147
5,518,491 A	5/1996	Romer et al.		
D377,656 S *	1/1997	Leone et al.	D15/147
5,786,303 A	7/1998	Mansour		
D432,592 S	10/2000	Yip		
6,283,302 B1 *	9/2001	Schulte et al.	209/399
6,431,368 B1 *	8/2002	Carr	209/403
6,601,709 B2 *	8/2003	Schulte et al.	209/397
6,662,952 B2 *	12/2003	Adams et al.	209/319
6,726,029 B2 *	4/2004	Okabayshi et al.	210/388
2002/0043485 A1 *	4/2002	Schulte et al.	209/399
2004/0007508 A1 *	1/2004	Schulte et al.	209/403

FIG. 5 is a side perspective view as seen from the top of the first embodiment of the ceramic wear plate shown in FIG. 1.

FIG. 6 is a side perspective view as seen from the bottom of the first embodiment of the ceramic wear plate shown in FIG. 1.

FIG. 7 is a detailed partial view of the corner of the ceramic wear plate shown in circle 7 of FIG. 5.

FIG. 8 is a top view of the second embodiment of a ceramic wear plate in accordance with my new design.

FIG. 9 is a back-side view of the second embodiment of the ceramic wear plate shown in FIG. 8, the front-side being a mirror image thereof.

FIG. 10 is a right-side view of the second embodiment of the ceramic wear plate shown in FIG. 8, the left-side being a mirror image thereof.

FIG. 11 is a bottom view of the second embodiment of the ceramic wear plate shown in FIG. 8.

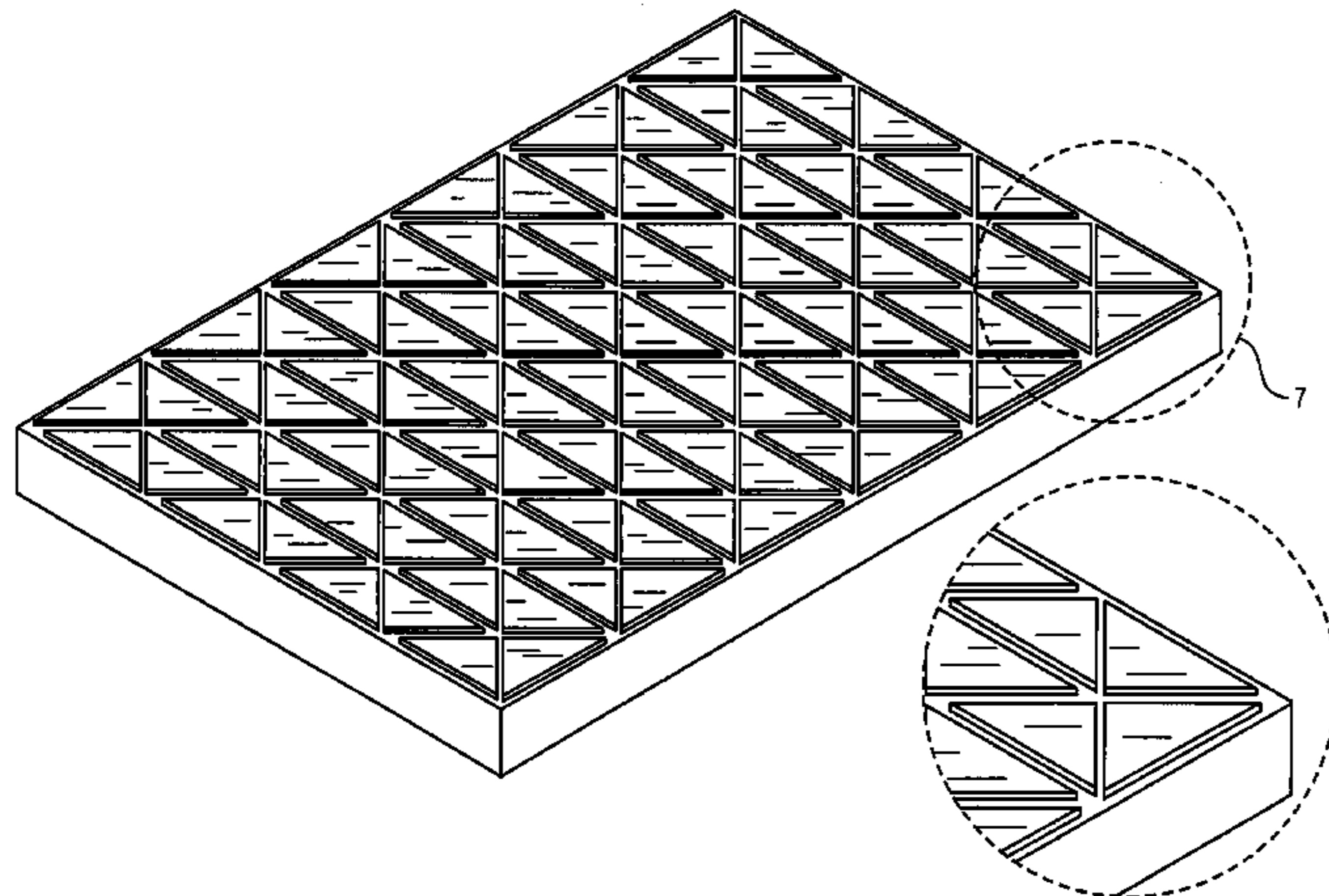


FIG. **12** is a side perspective view as seen from the top of the second embodiment of the ceramic wear plate shown in FIG. **8**.

FIG. **13** is a detailed partial view of the corner of the second embodiment of the ceramic wear plate shown in circle **13** of FIG. **12**.

FIG. **14** is a side perspective view as seen from the bottom of the second embodiment of the ceramic wear plate shown in FIG. **8**.

FIG. **15** is a top view of the third embodiment of a ceramic wear plate in accordance with my new design.

FIG. **16** is a back-side view of the third embodiment of the ceramic wear plate shown in FIG. **15**, the front-side view being a mirror-image thereof.

FIG. **17** is a right-side view of the third embodiment of the ceramic wear plate shown in FIG. **15**, the left-side view being a mirror image thereof.

FIG. **18** is a bottom view of the third embodiment of the ceramic wear plate shown in FIG. **15**.

FIG. **19** is a side perspective view as seen from the top of the third embodiment of the ceramic wear plate shown in FIG. **15**.

FIG. **20** is a detailed partial view of the corner of the second embodiment of the ceramic wear plate shown in circle **20** of FIG. **19**; and,

FIG. **21** is a side perspective view as seen from the bottom of the third embodiment of the ceramic wear plate shown in FIG. **15**.

The broken line shown in FIG. **21** is a contour line.

1 Claim, 6 Drawing Sheets



FIG. 2

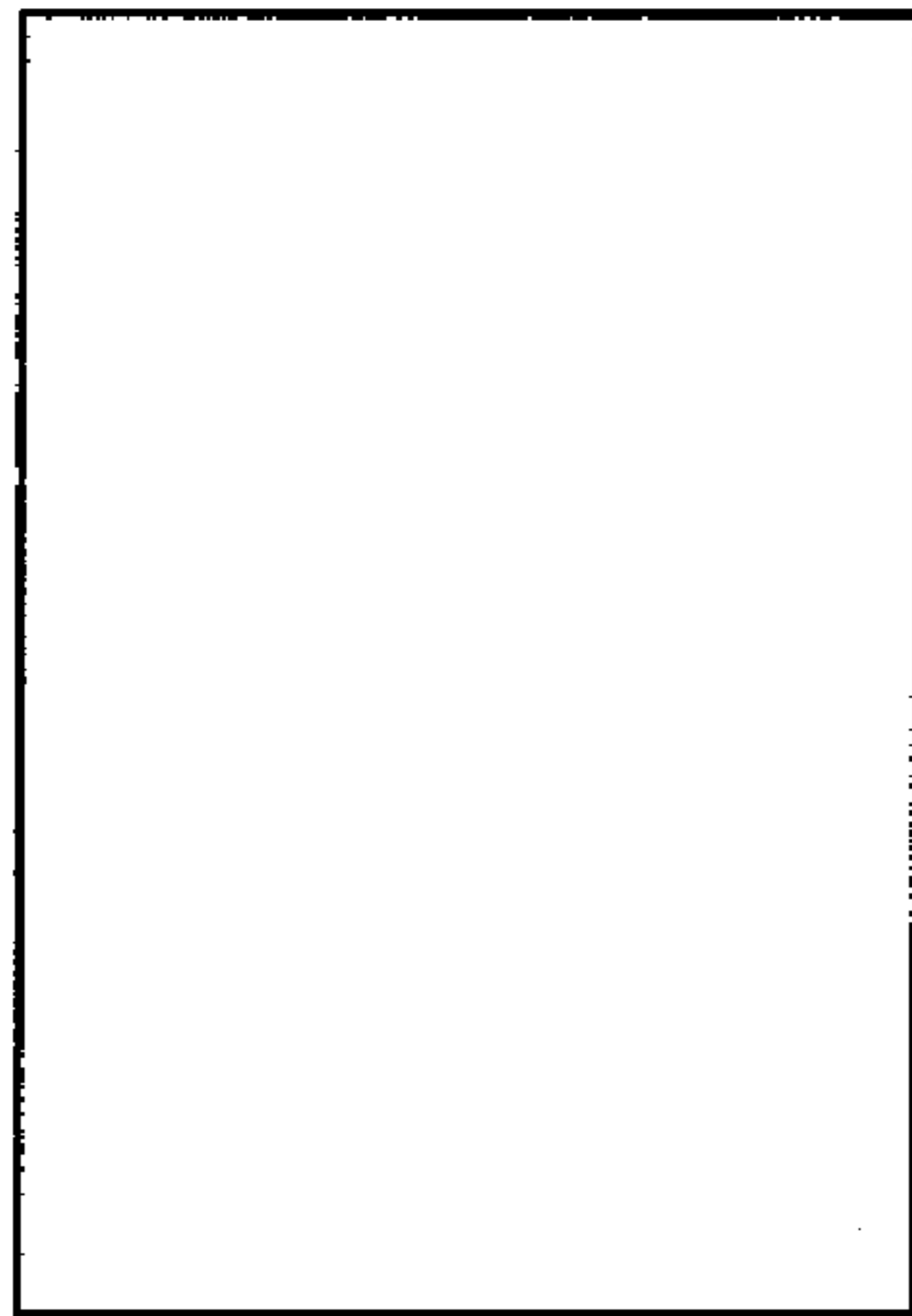


FIG. 4

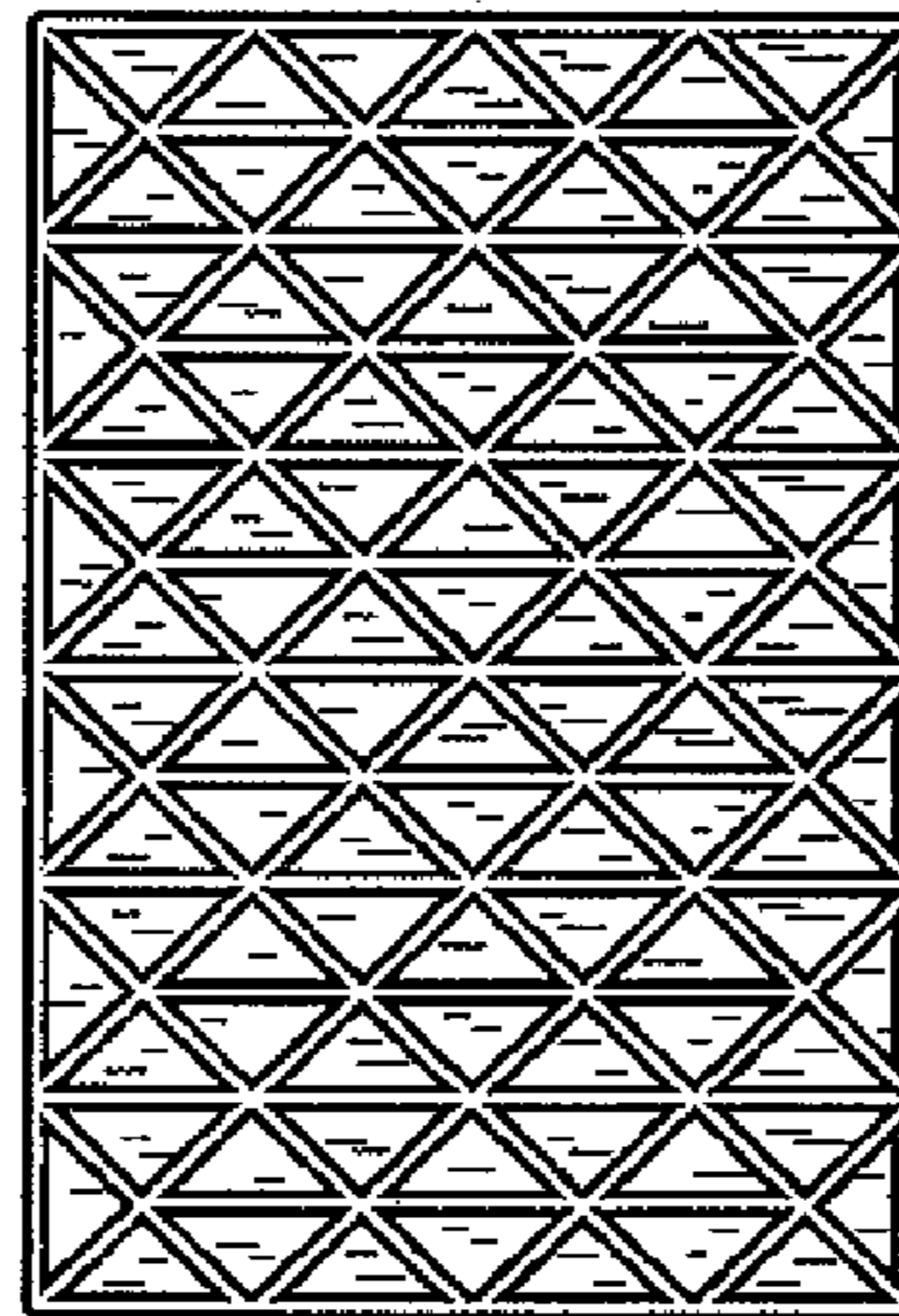


FIG. 1

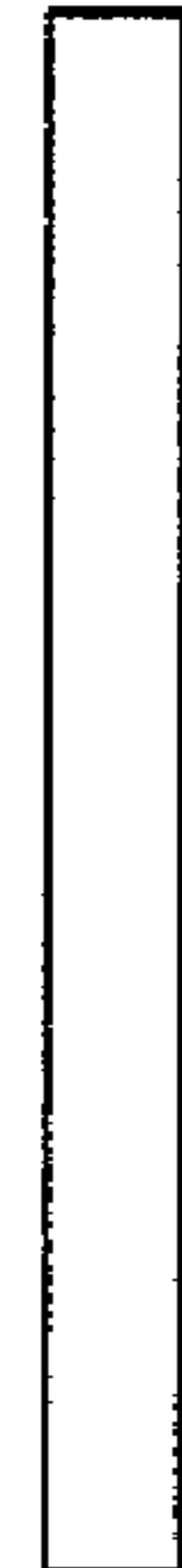


FIG. 3

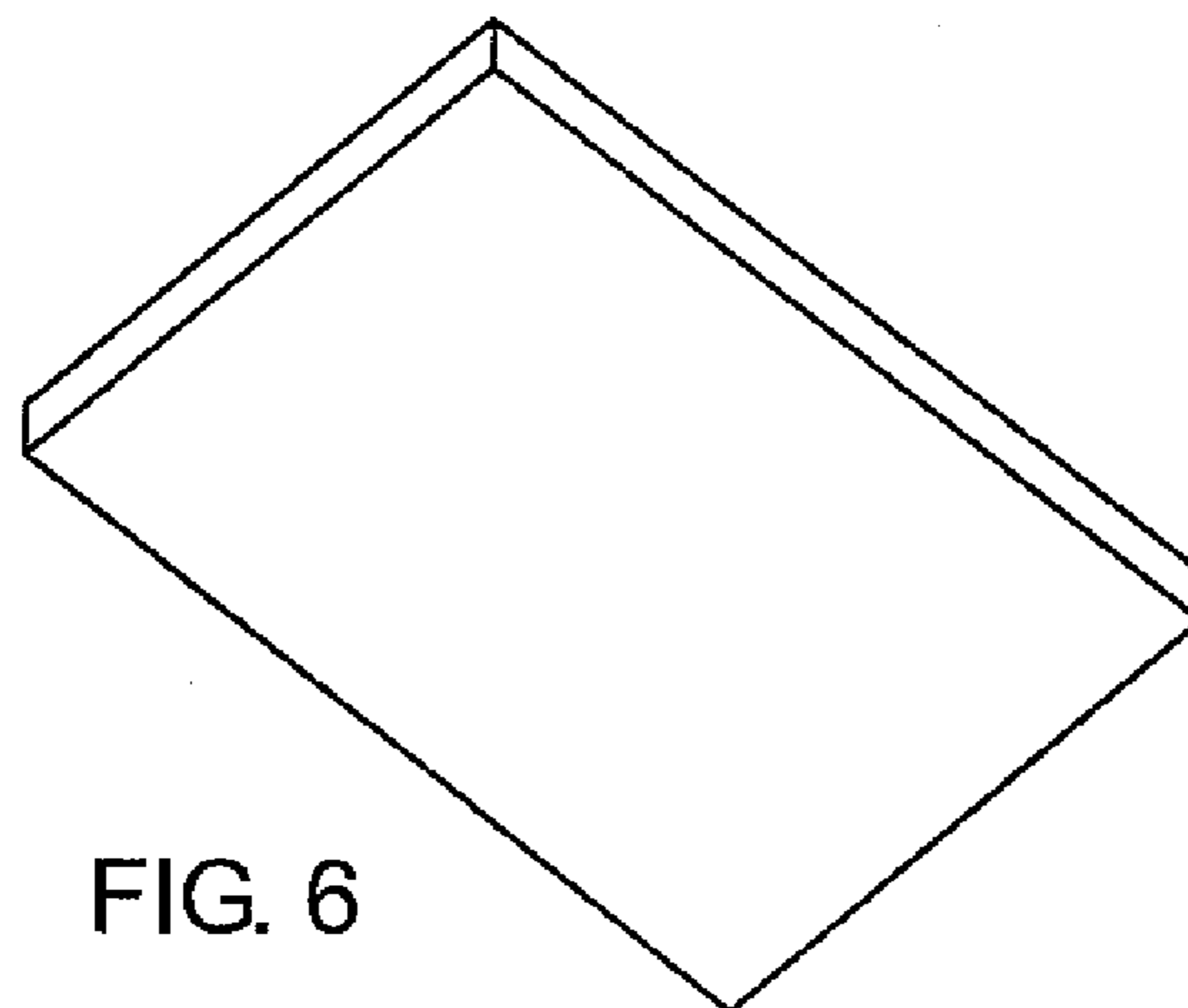


FIG. 6

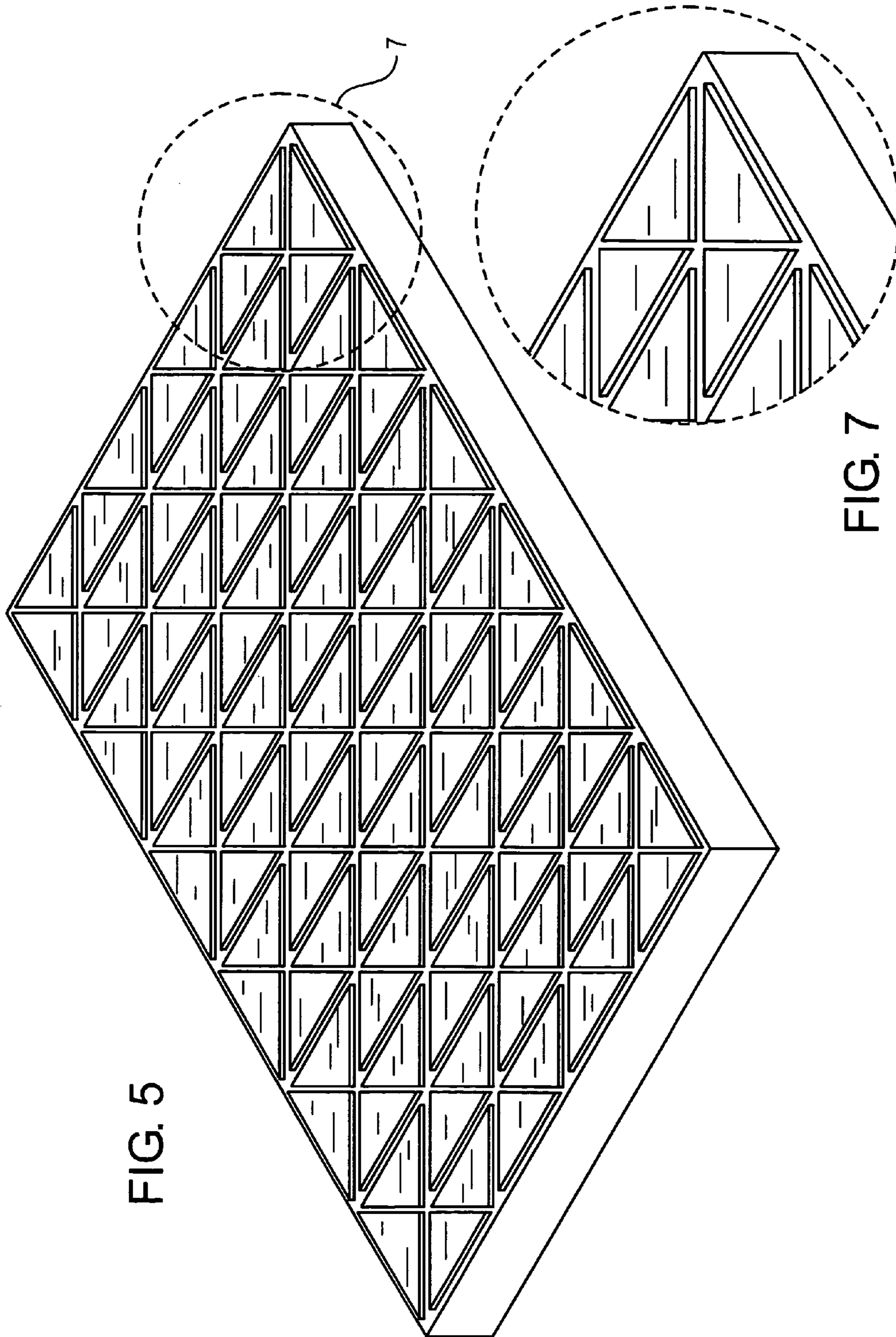


FIG. 5

FIG. 7



FIG. 9

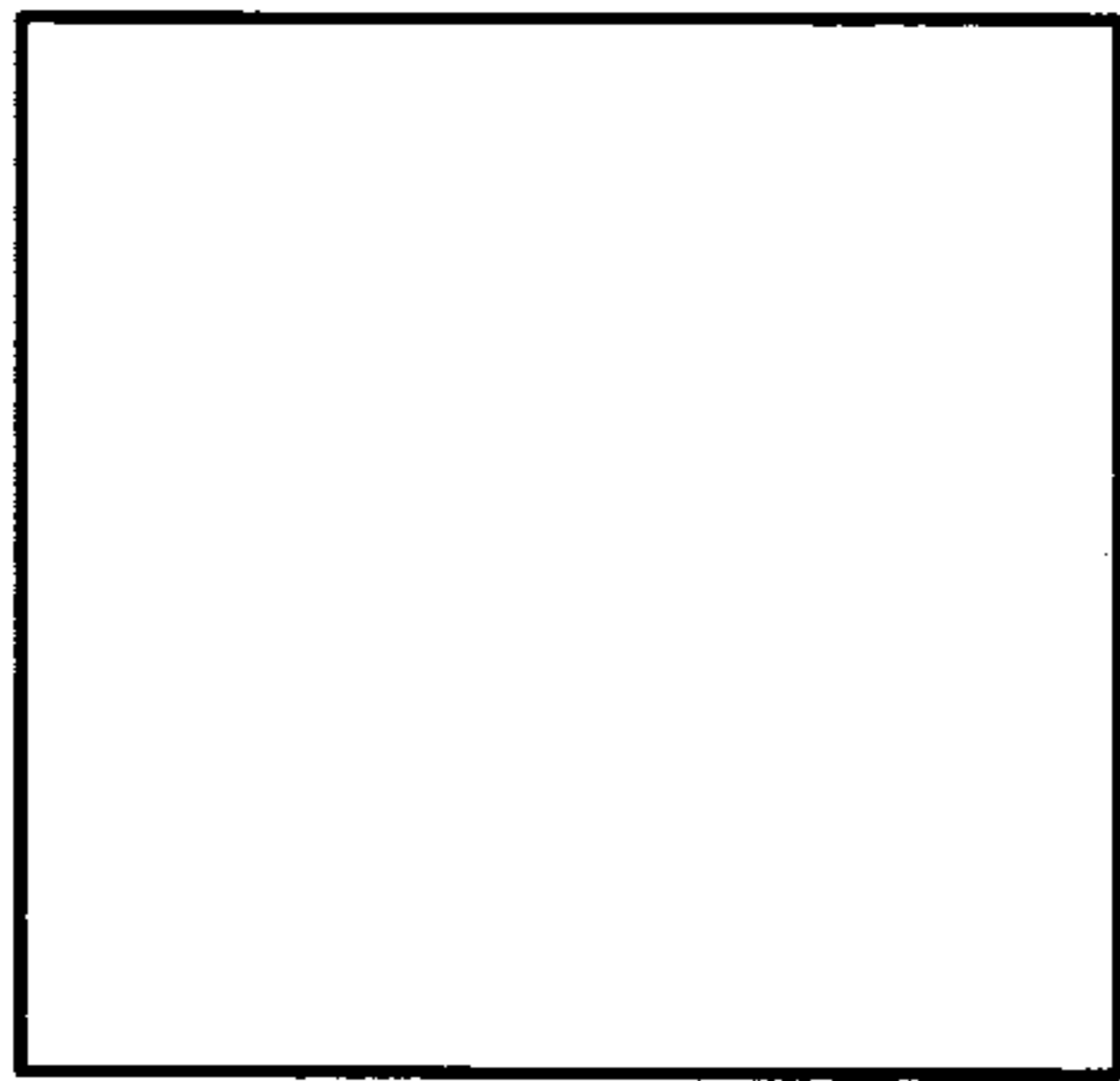


FIG. 11

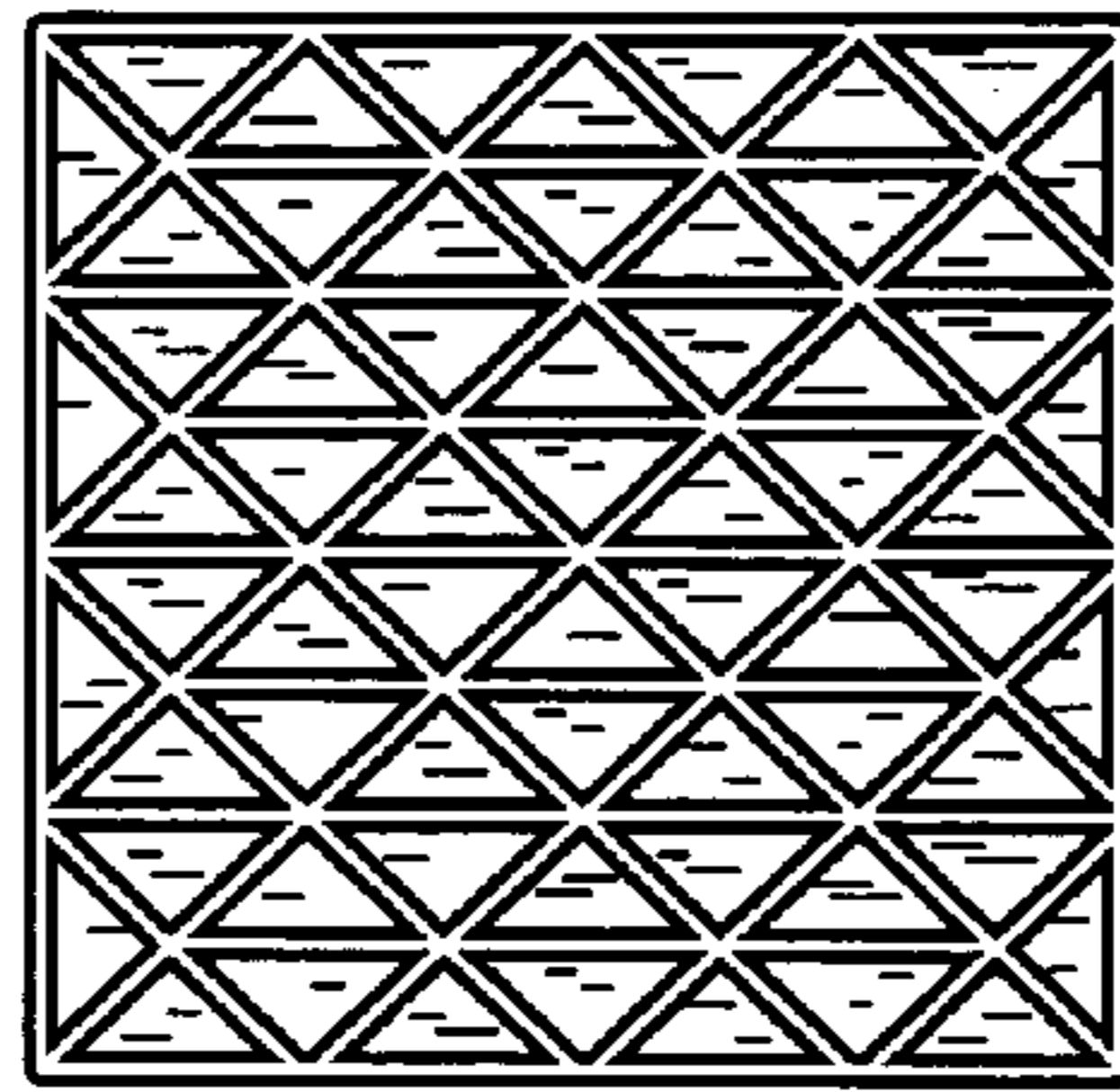


FIG. 8

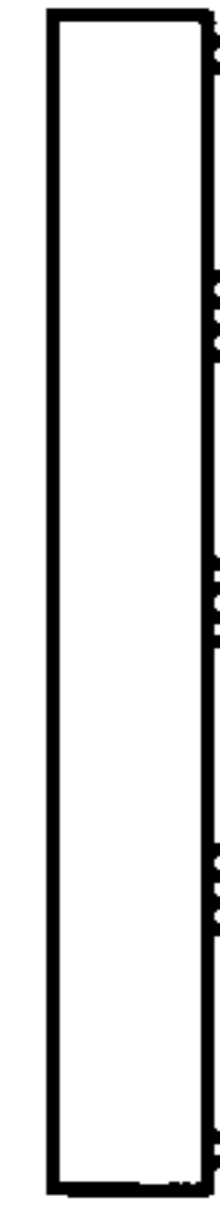


FIG. 10

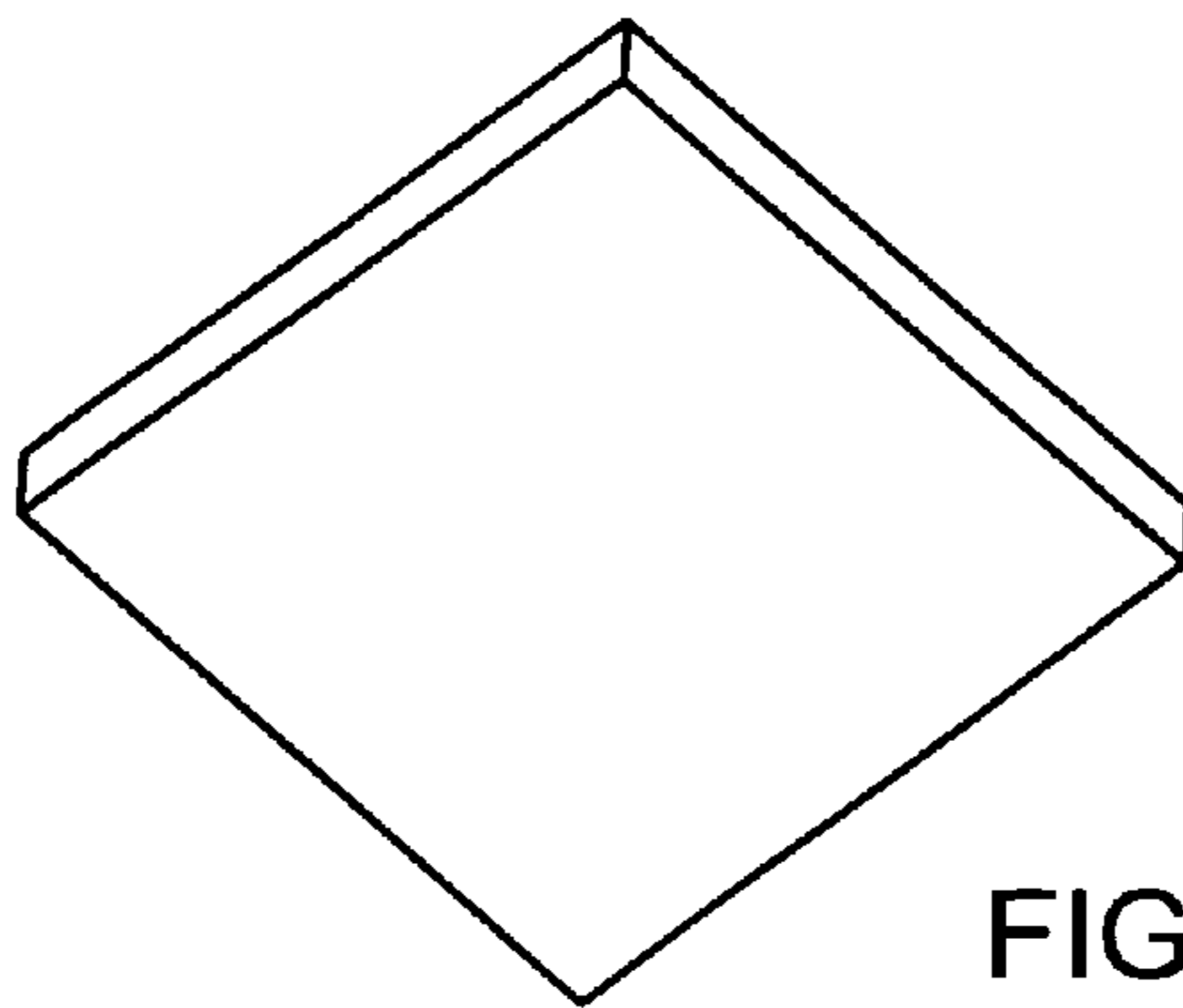


FIG. 14

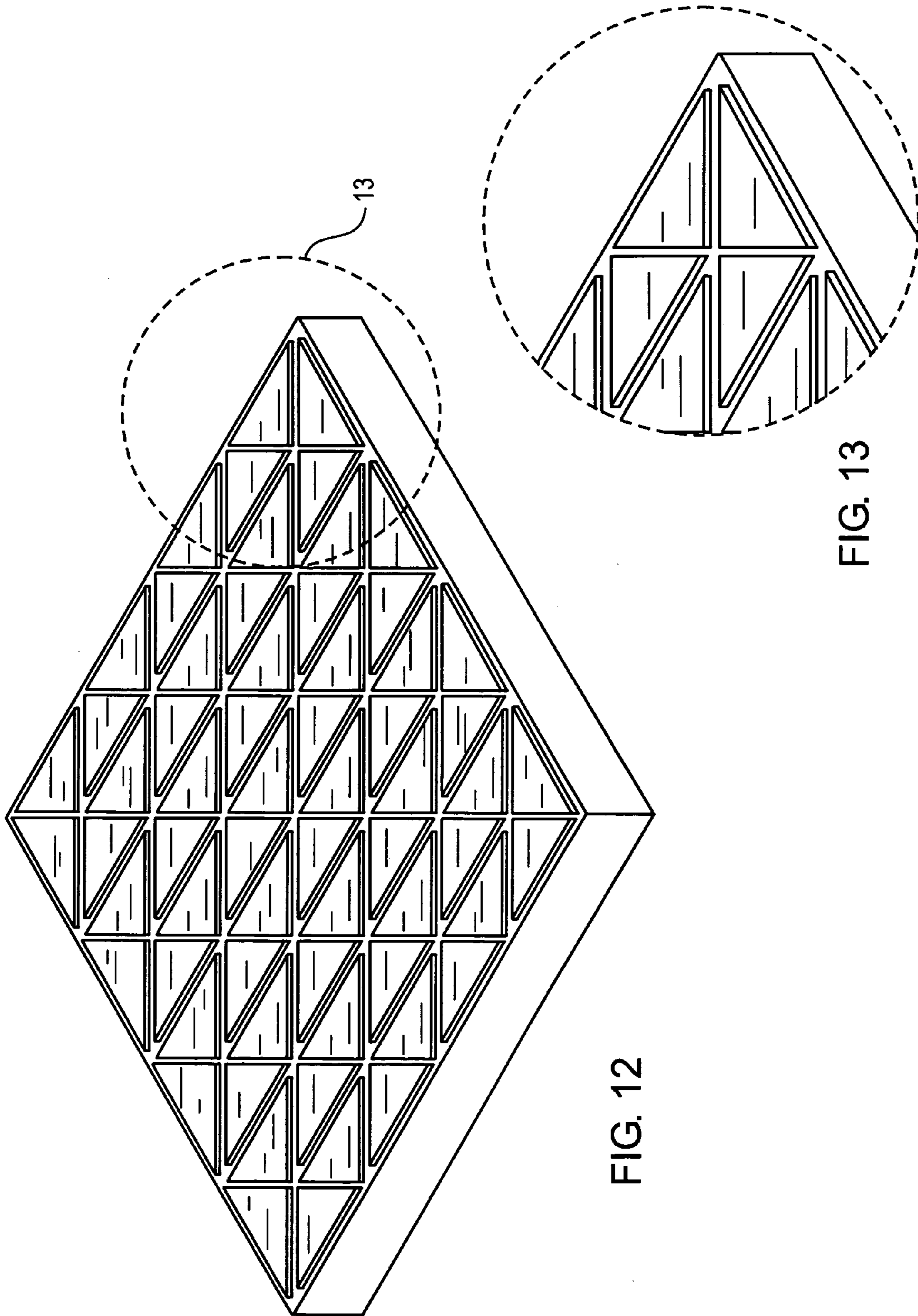


FIG. 12

FIG. 13



FIG. 16

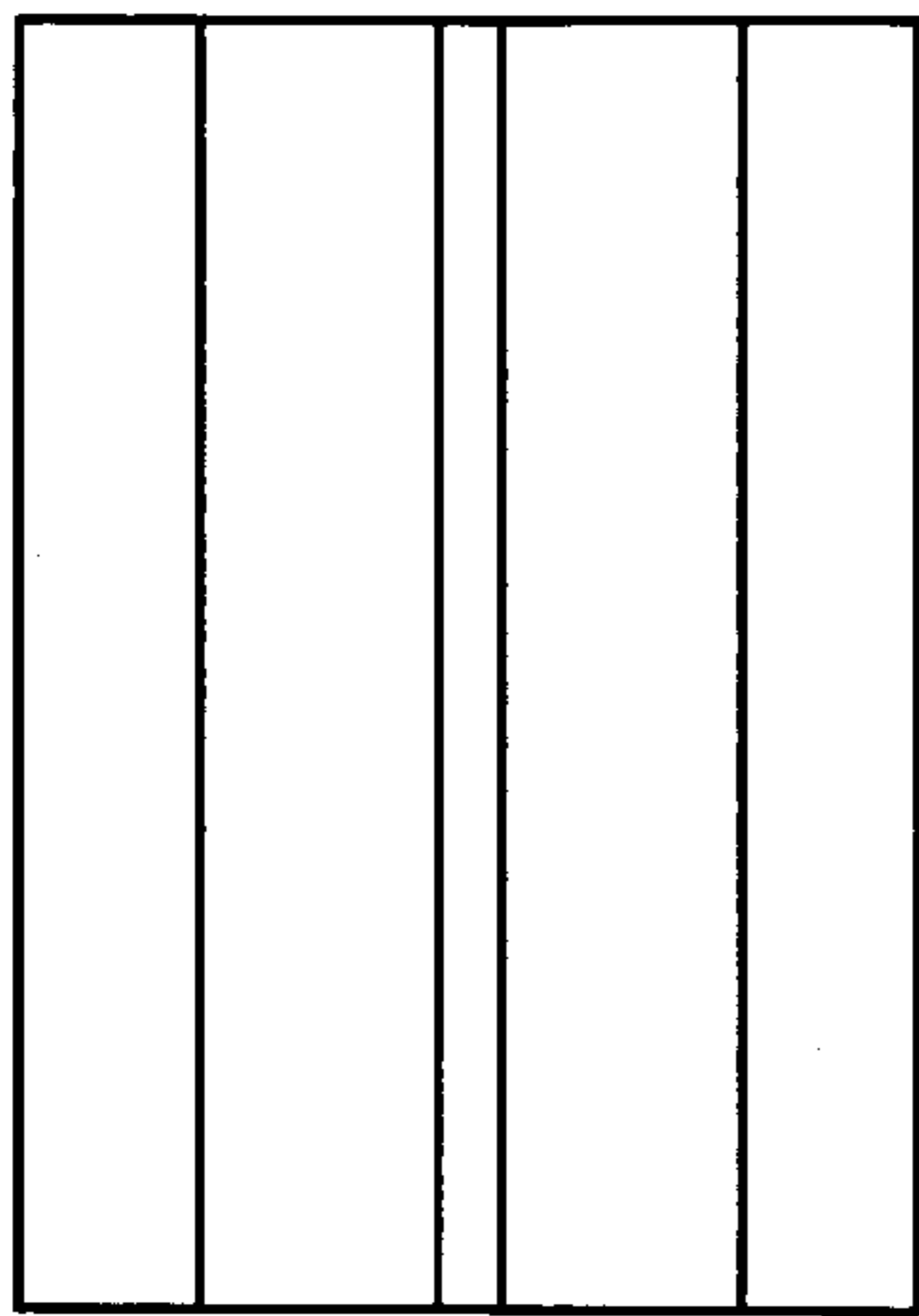


FIG. 18

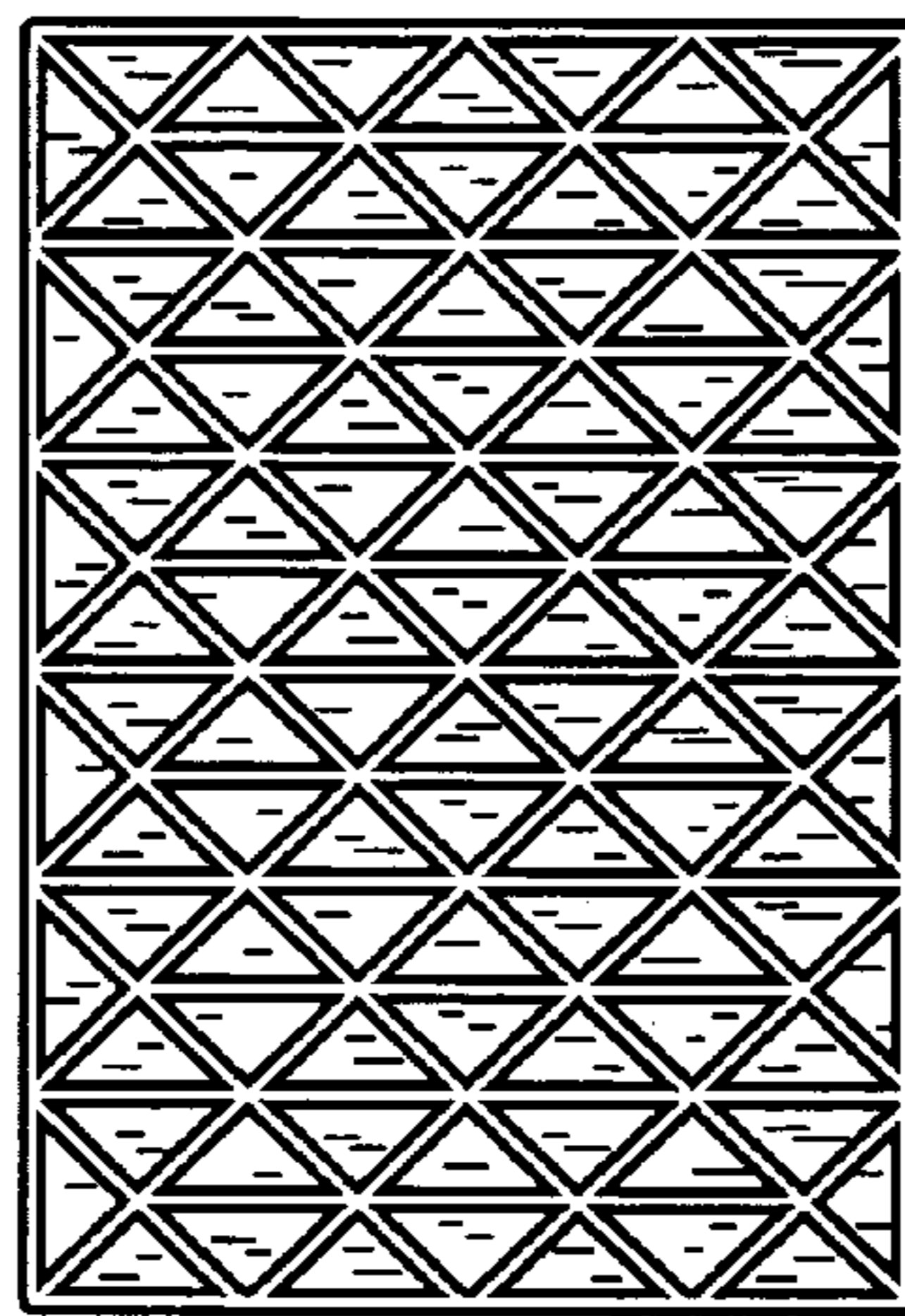


FIG. 15

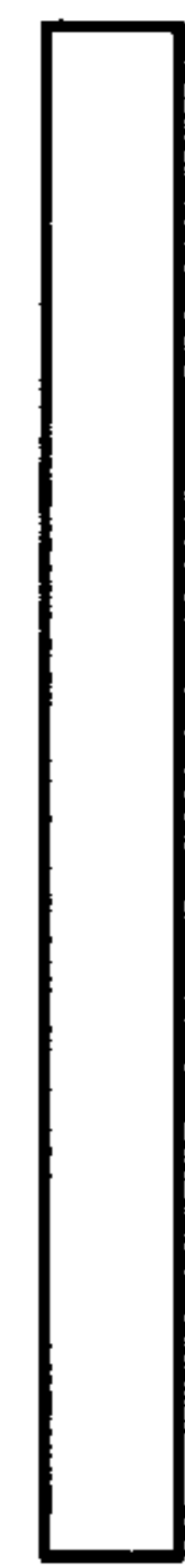


FIG. 17

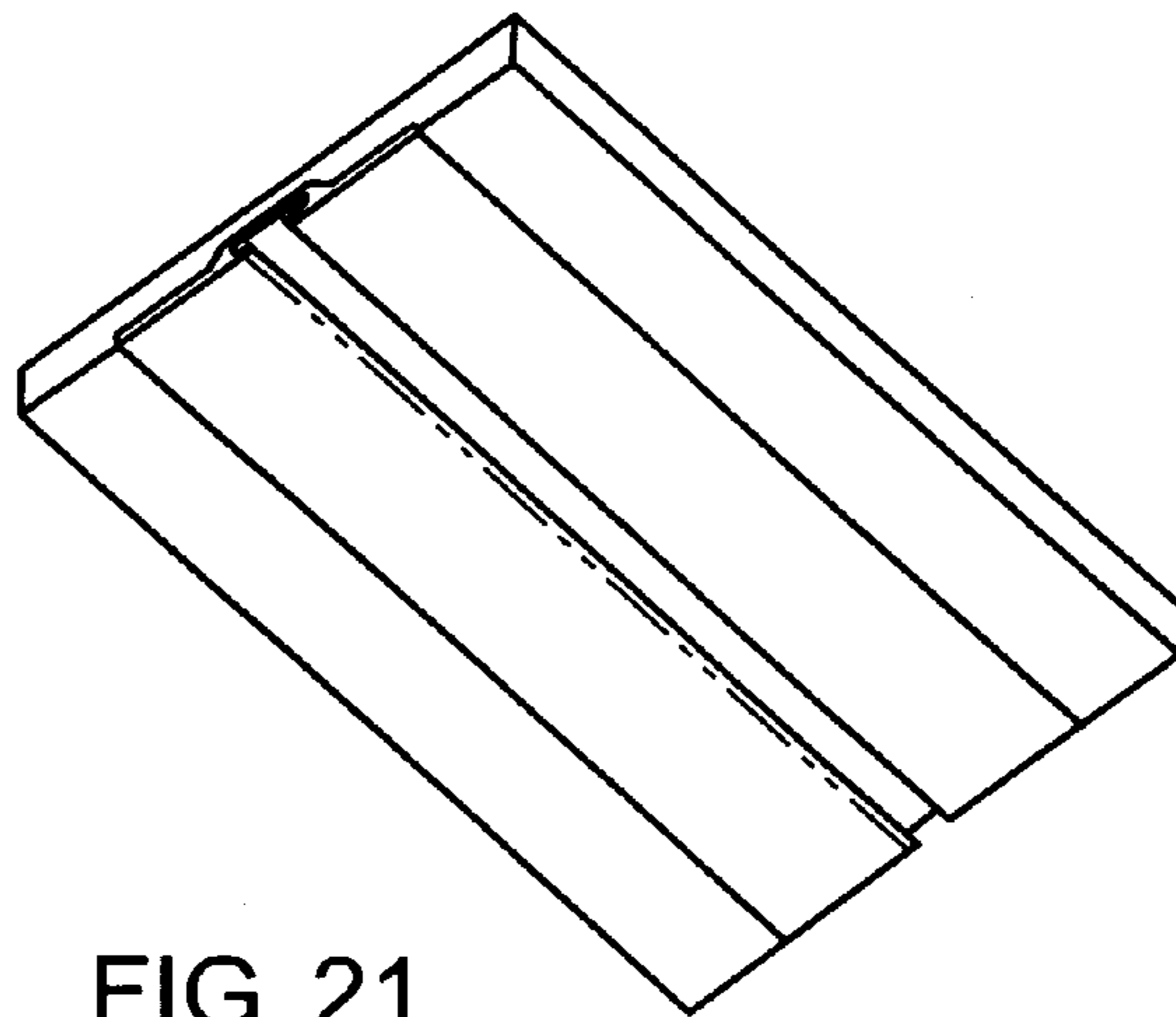


FIG. 21

