

US00D594041S

(12) **United States Design Patent**
Lin

(10) **Patent No.:** **US D594,041 S**
(45) **Date of Patent:** **** Jun. 9, 2009**

(54) **DRILL HEAD FOR WALL ANCHOR DEVICE**

(76) Inventor: **Chin Hou Lin**, No. 5, Sidon Lane,
Gangou Tsuen, Gousin Hsiang, Nantou
54447 (TW)

(**) Term: **14 Years**

(21) Appl. No.: **29/313,782**

(22) Filed: **Feb. 11, 2009**

Related U.S. Application Data

(63) Continuation-in-part of application No. 29/293,661,
filed on Dec. 6, 2007, which is a continuation-in-part
of application No. 11/805,149, filed on May 22, 2007.

(51) **LOC (9) Cl.** **15-09**

(52) **U.S. Cl.** **D15/139**

(58) **Field of Classification Search** D8/70,
D8/385; D15/126, 138, 139, 140; 52/153,
52/157; 408/219, 224, 226, 230, 240; 411/30,
411/107, 108, 347, 352, 353, 397, 399, 400,
411/403, 480, 484

See application file for complete search history.

(56) **References Cited**

U.S. PATENT DOCUMENTS

4,165,790 A * 8/1979 Emmerich 175/420.1
4,986,709 A * 1/1991 Hachtel et al. 411/30
D340,248 S * 10/1993 Brady D15/139
6,010,288 A * 1/2000 Wisser et al. 411/30
D462,895 S * 9/2002 Gaudron D8/385
7,025,538 B2 * 4/2006 Ludwig et al. 405/259.5

D524,333 S * 7/2006 Brady D15/139
D531,651 S * 11/2006 Yanagimoto D15/139
D537,091 S * 2/2007 Yanagimoto D15/139
D555,683 S * 11/2007 Sakata et al. D15/139
7,320,569 B2 * 1/2008 Kaye et al. 411/30
2007/0297862 A1 * 12/2007 Giraldo et al. 405/259.6
2008/0292421 A1 * 11/2008 Lin 411/30

* cited by examiner

Primary Examiner—Sandra Snapp

Assistant Examiner—Patricia Palasik

(74) *Attorney, Agent, or Firm*—Charles E. Baxley

(57) **CLAIM**

The ornamental design for a drill head for wall anchor device,
as shown and described.

DESCRIPTION

FIG. 1 is a perspective view of a drill head for wall anchor
device showing my new design;

FIG. 2 is a front elevational view thereof;

FIG. 3 is a rear elevational view thereof;

FIG. 4 is a top plan view thereof;

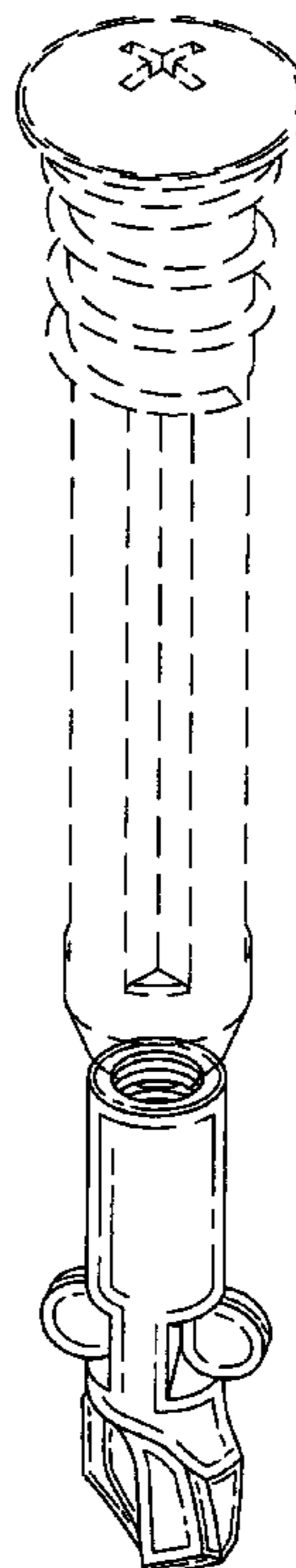
FIG. 5 is a bottom plan view thereof;

FIG. 6 is a left side elevational view thereof; and

FIG. 7 is a right side elevational view thereof; and,

FIG. 8 is a perspective view thereof, the wall anchor device
depicted by means of broken lines being for illustrative pur-
poses only and forming no part of the claimed design.

1 Claim, 5 Drawing Sheets



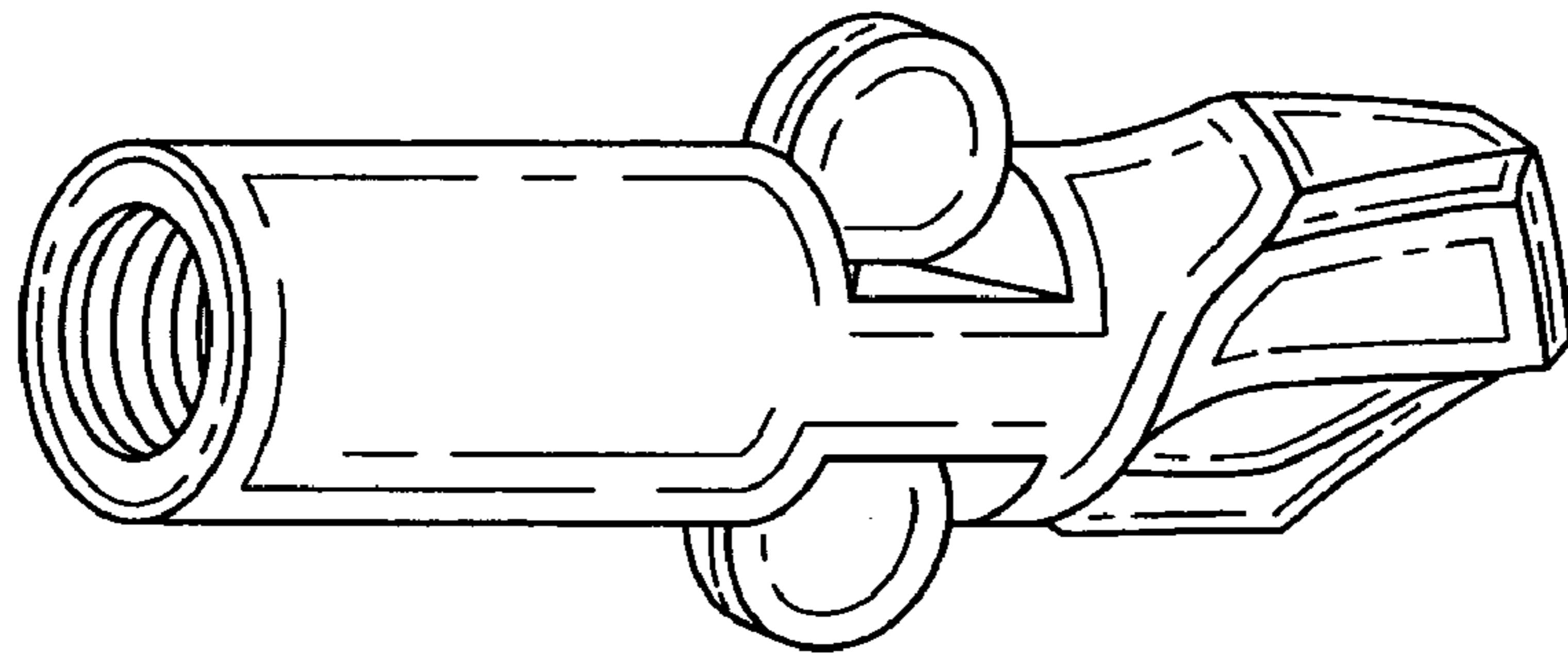


FIG. 1

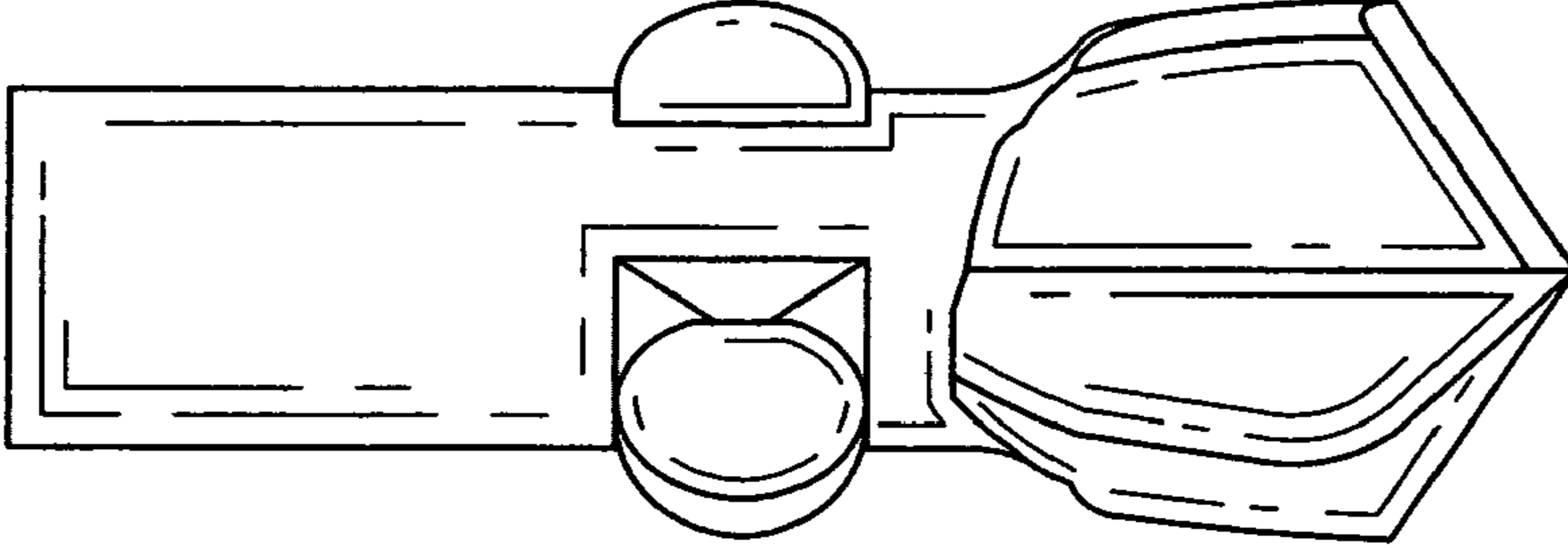


FIG. 3

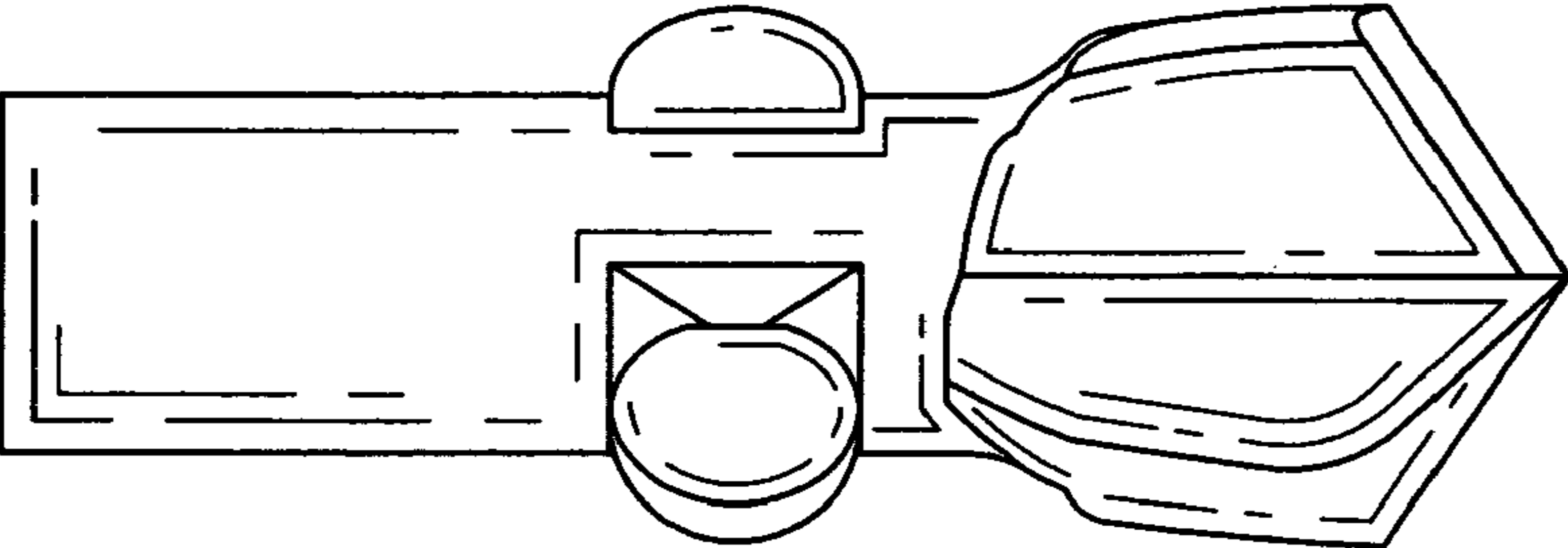


FIG. 2

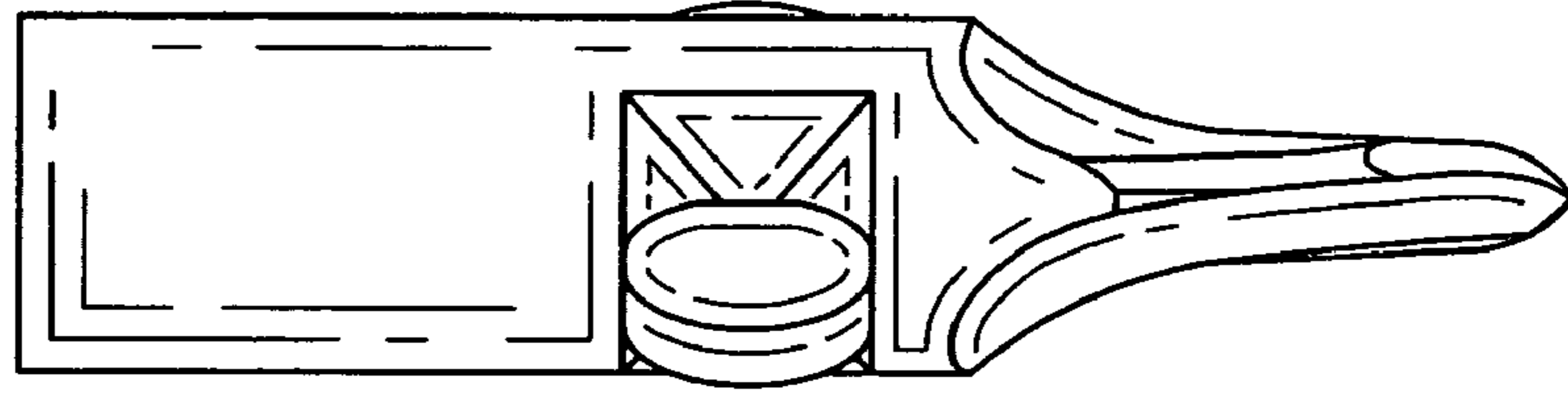


FIG. 5

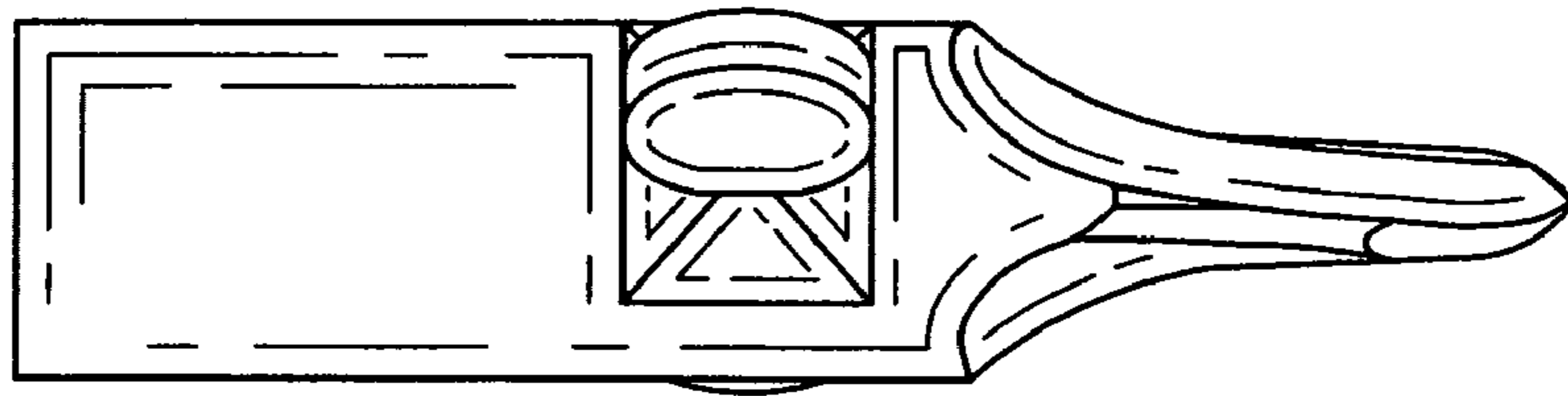


FIG. 4

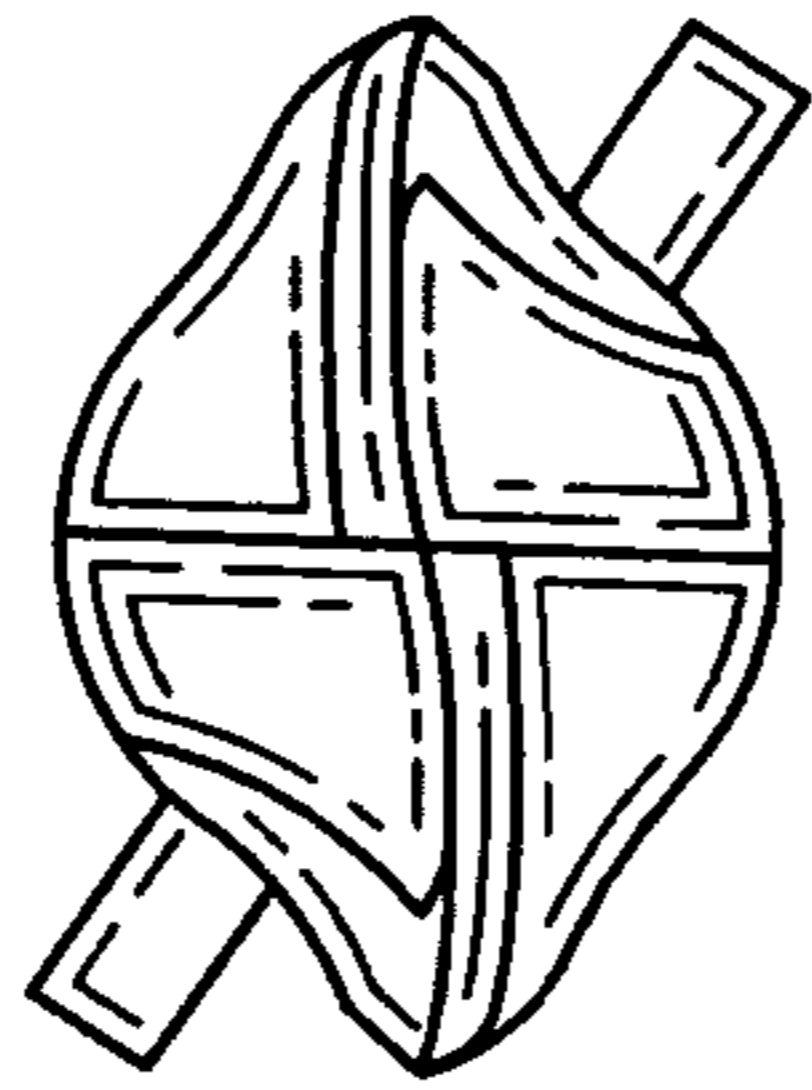


FIG. 7

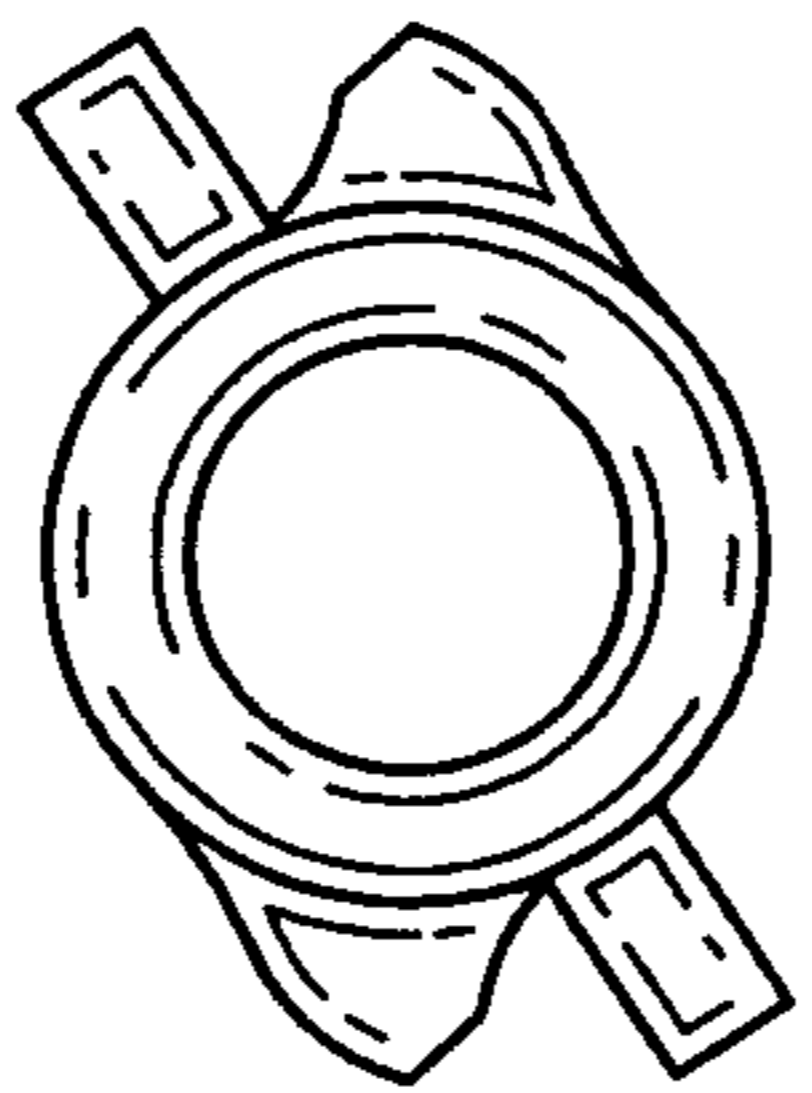


FIG. 6

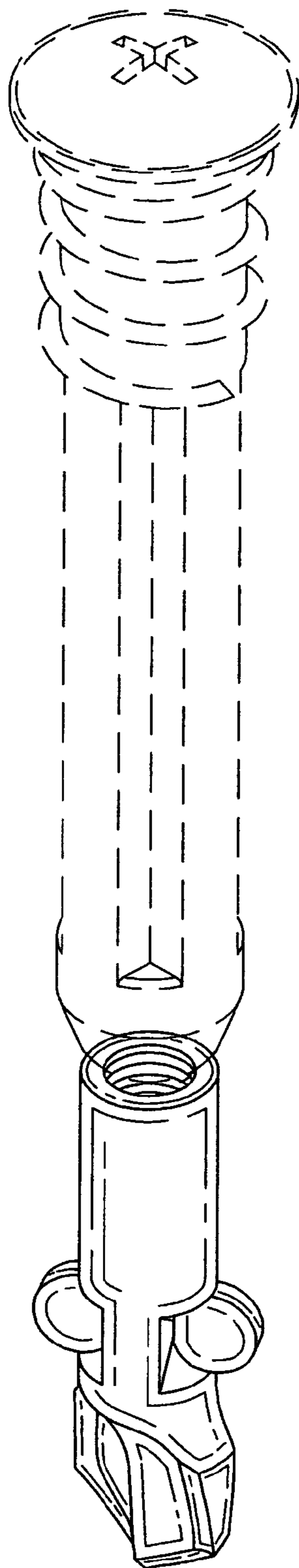


FIG. 8