



US00D594038S

(12) **United States Design Patent**  
**Shimomura**

(10) **Patent No.:** **US D594,038 S**

(45) **Date of Patent:** **\*\* Jun. 9, 2009**

(54) **HOOD FOR WORK MACHINE**

D570,265 S \* 6/2008 Nakanishi et al. .... D12/173

(75) Inventor: **Takashi Shimomura**, Takatsuki (JP)

\* cited by examiner

(73) Assignee: **Kubota Corporation**, Osaka (JP)

*Primary Examiner*—Stella M Reid

*Assistant Examiner*—Mark A Goodwin

(\*\*) Term: **14 Years**

(74) *Attorney, Agent, or Firm*—The Webb Law Firm

(21) Appl. No.: **29/301,569**

(57) **CLAIM**

(22) Filed: **Mar. 6, 2008**

The ornamental design for a hood for work machine, as shown and described.

(30) **Foreign Application Priority Data**

**DESCRIPTION**

Sep. 18, 2007 (JP) ..... 2007-025172

(51) **LOC (9) Cl.** ..... **15-03**

FIG. 1 is a front view of the hood for work machine showing my new design;

(52) **U.S. Cl.** ..... **D15/31**

FIG. 2 is a rear view thereof;

(58) **Field of Classification Search** ..... D15/10,  
D15/11, 13–17, 28, 22–26, 31; D12/173,  
D12/90, 163, 166, 167, 216, 14–16; 180/89.1,  
180/89.12, 900, 69.2, 68.1, 69.1; 56/13.3,  
56/13.4, 15.8, 15.9, 320.1

FIG. 3 is a left side view thereof;

FIG. 4 is a right side view thereof;

FIG. 5 is a top plan view thereof;

FIG. 6 is a bottom plan view thereof;

See application file for complete search history.

FIG. 7 is an enlarged cross sectional view thereof taken along line 7—7 in FIG. 1;

FIG. 8 is an enlarged cross sectional view thereof taken along line 8—8 in FIG. 1;

(56) **References Cited**

**U.S. PATENT DOCUMENTS**

- D339,357 S \* 9/1993 Teal et al. .... D15/17
- D403,637 S \* 1/1999 Abalos et al. .... D12/173
- D447,753 S \* 9/2001 Goebert et al. .... D15/31
- D459,735 S \* 7/2002 Hohnl et al. .... D15/31
- 6,447,152 B1 \* 9/2002 Goebert ..... 362/485
- D494,890 S \* 8/2004 Katoh ..... D12/14
- D494,900 S \* 8/2004 Satou ..... D12/173
- D499,750 S \* 12/2004 Mistry et al. .... D15/31
- D500,507 S \* 1/2005 Mistry et al. .... D15/31
- D520,132 S \* 5/2006 Bonner et al. .... D12/196
- D532,022 S \* 11/2006 Kuwae ..... D15/31
- D552,508 S \* 10/2007 Hanson et al. .... D12/16

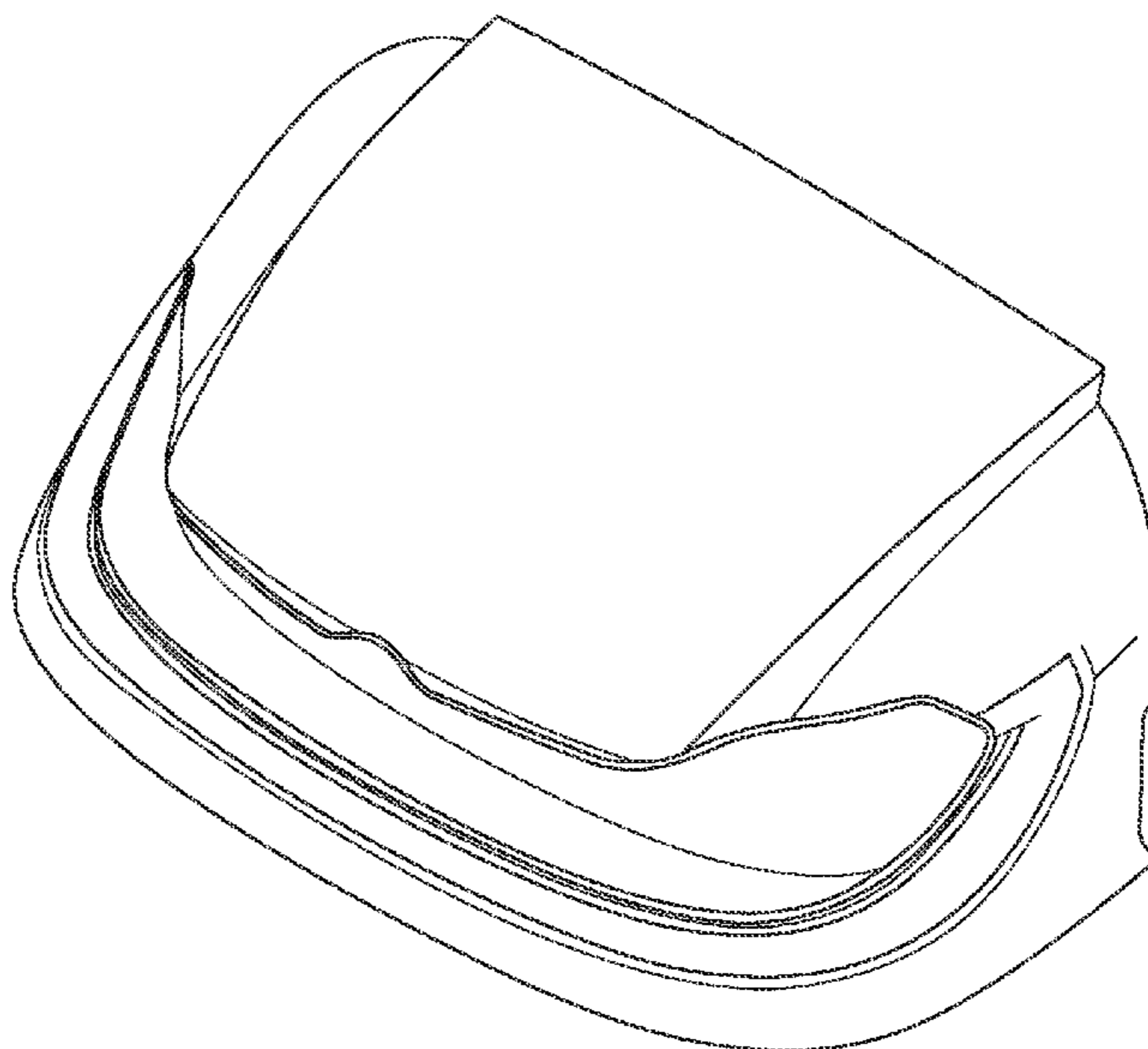
FIG. 9 is a perspective view thereof;

FIG. 10 is a reference front view thereof shown in use condition; and,

FIG. 11 is a reference perspective view thereof shown in use condition.

The broken line showing of a work machine in FIGS. 10 and 11 is included for the purpose of illustrating environmental structure and forms no part of the claimed design.

**1 Claim, 11 Drawing Sheets**



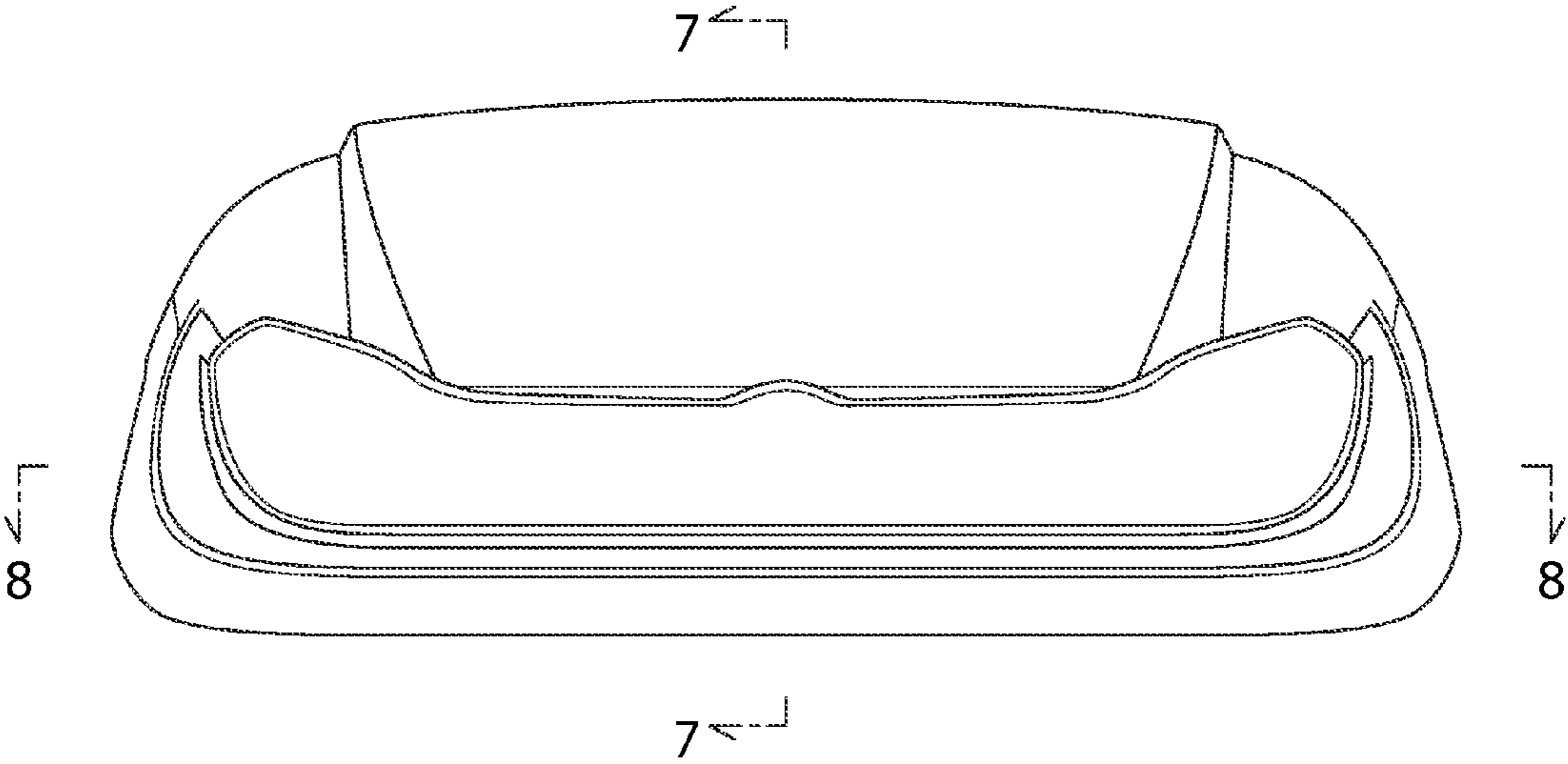
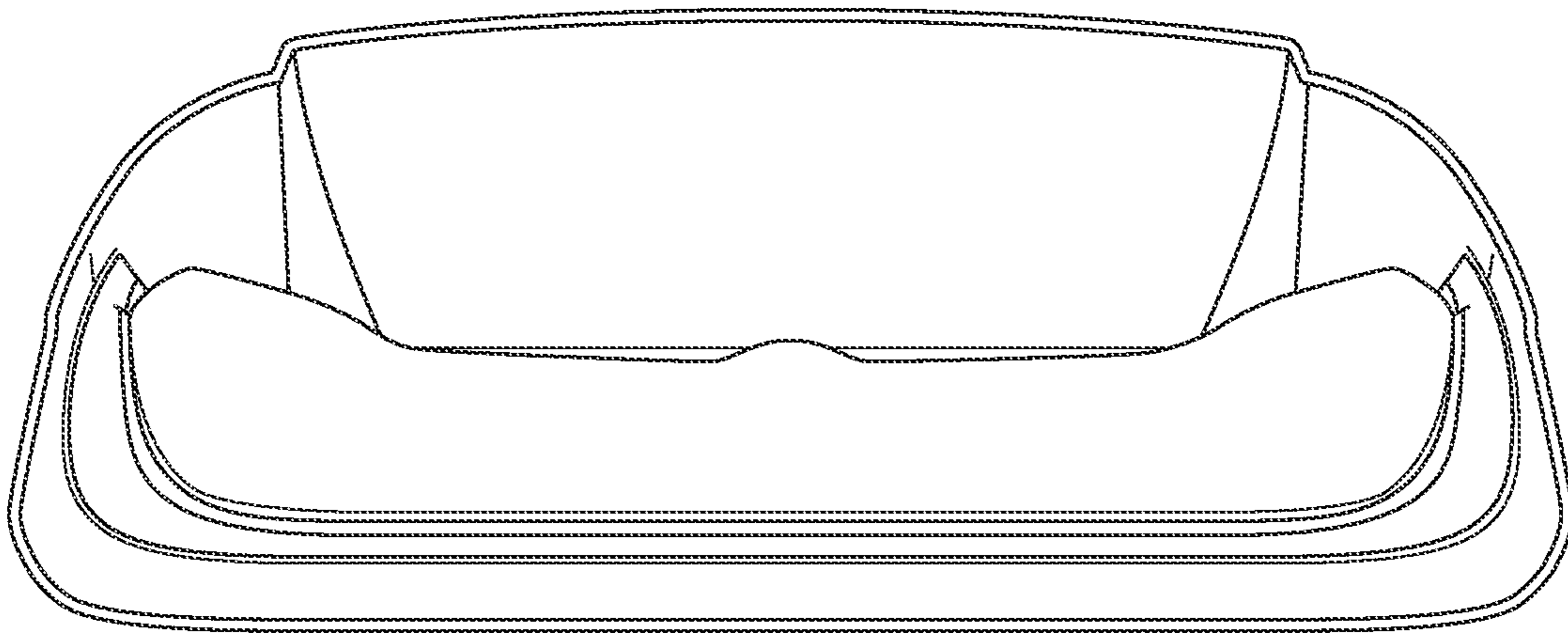
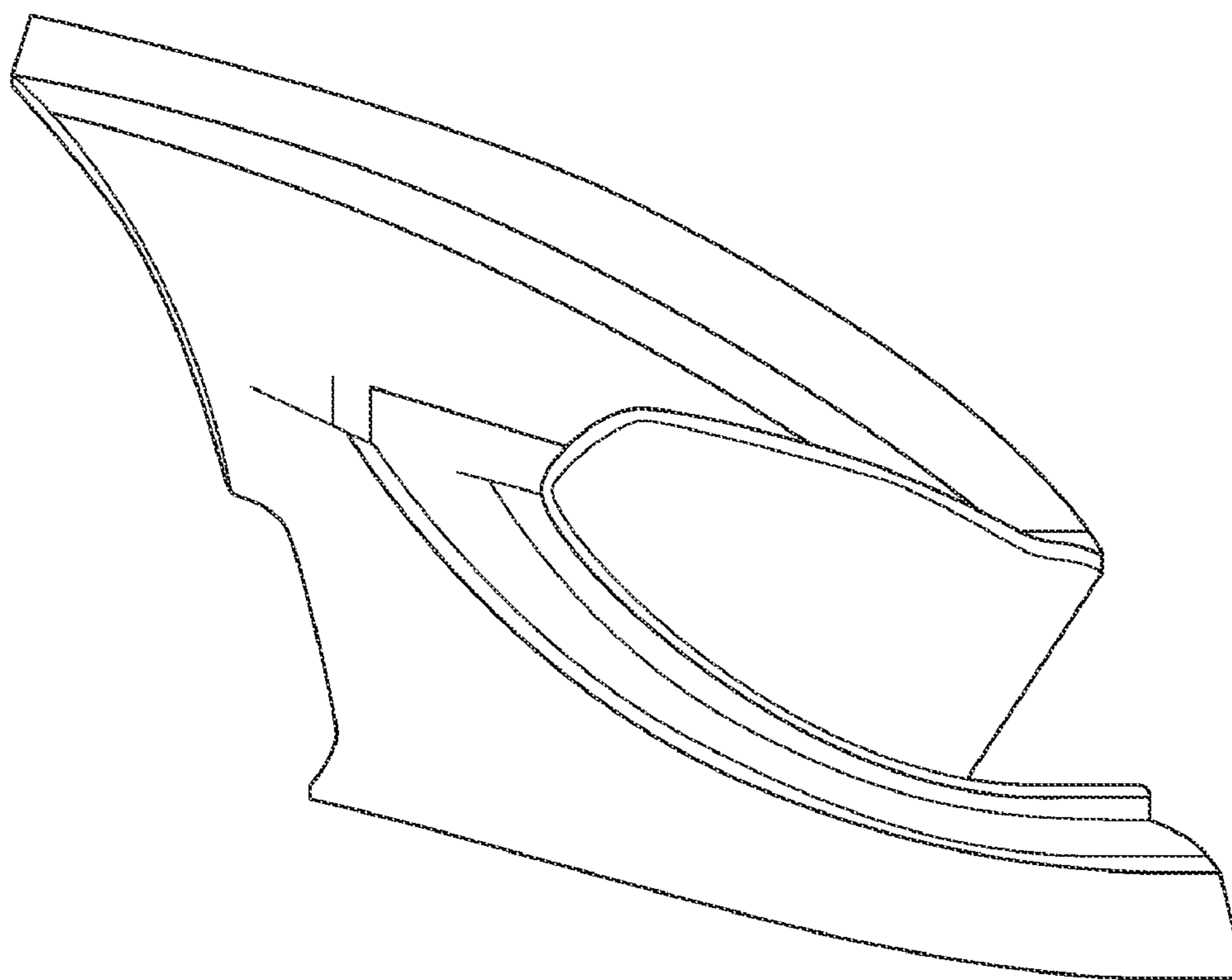


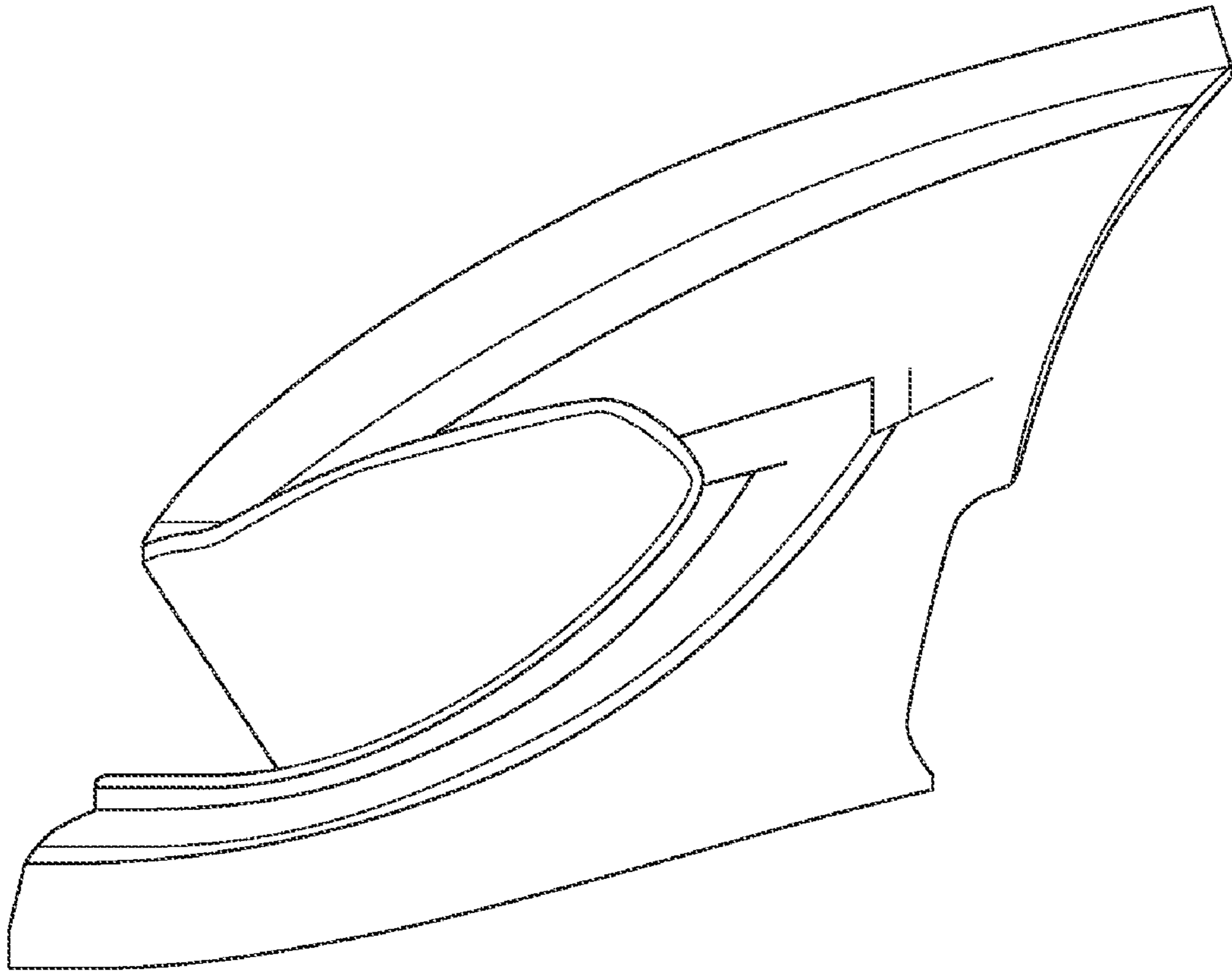
FIG. 1



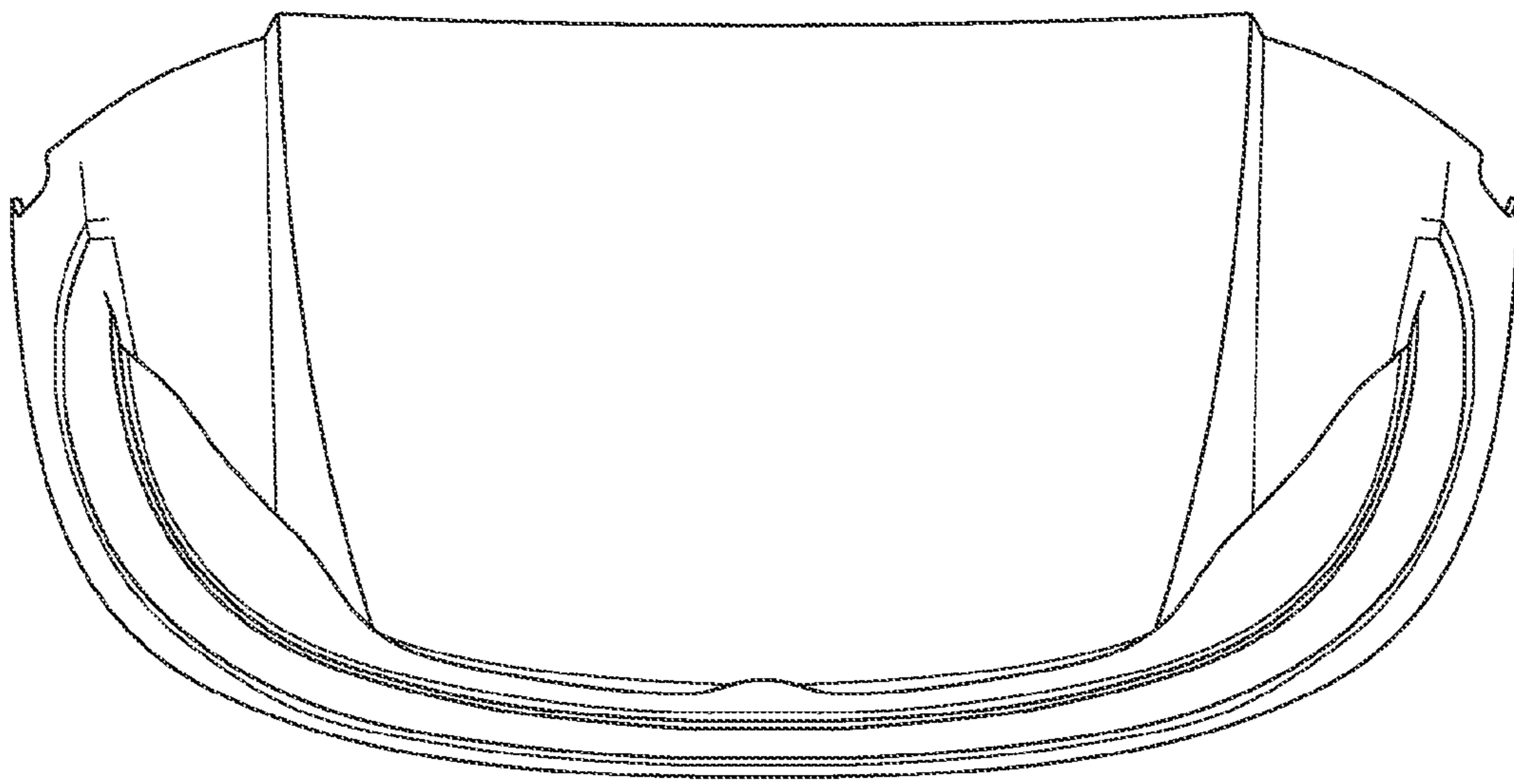
**FIG. 2**



**FIG. 3**

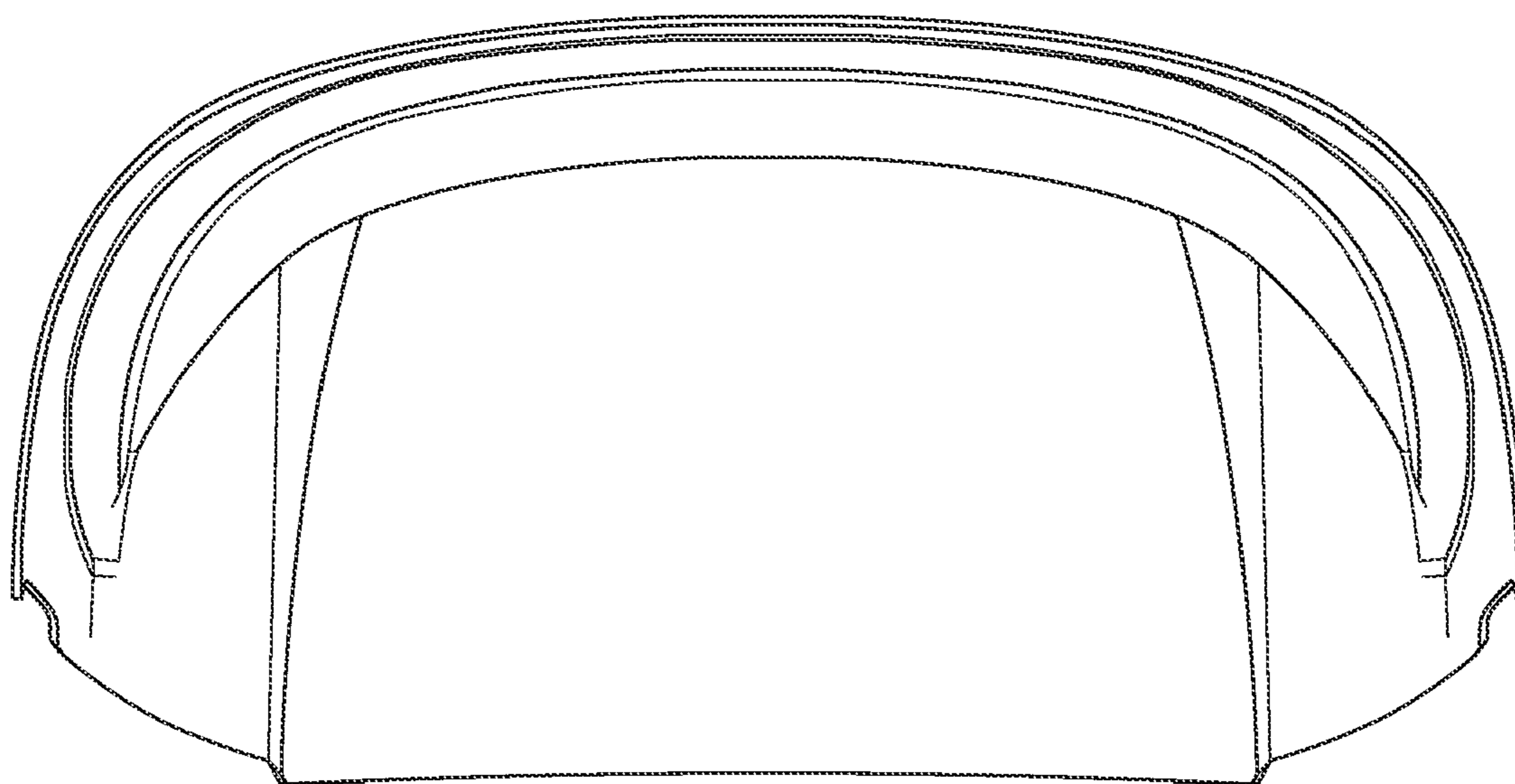


**FIG. 4**

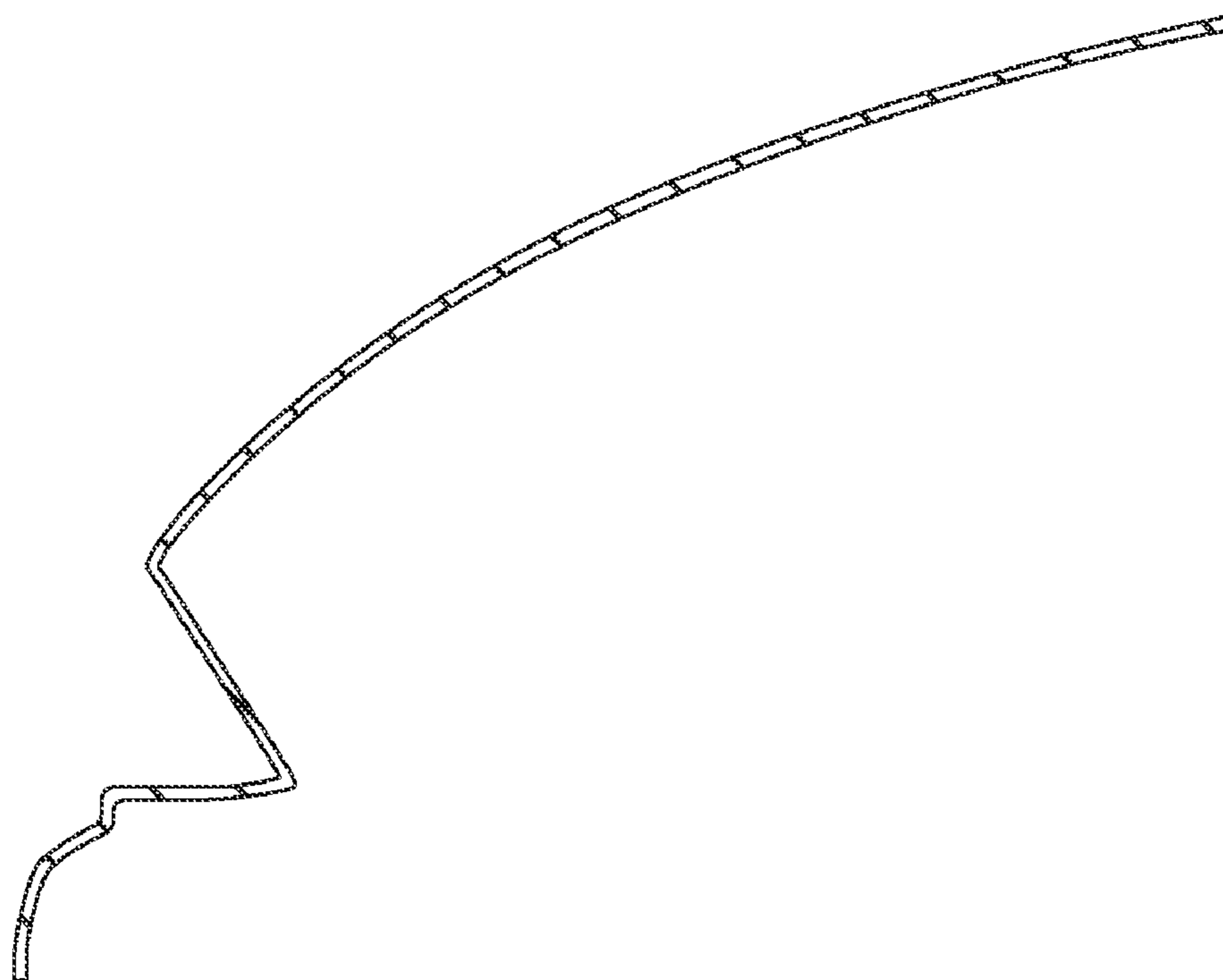


**FIG. 5**



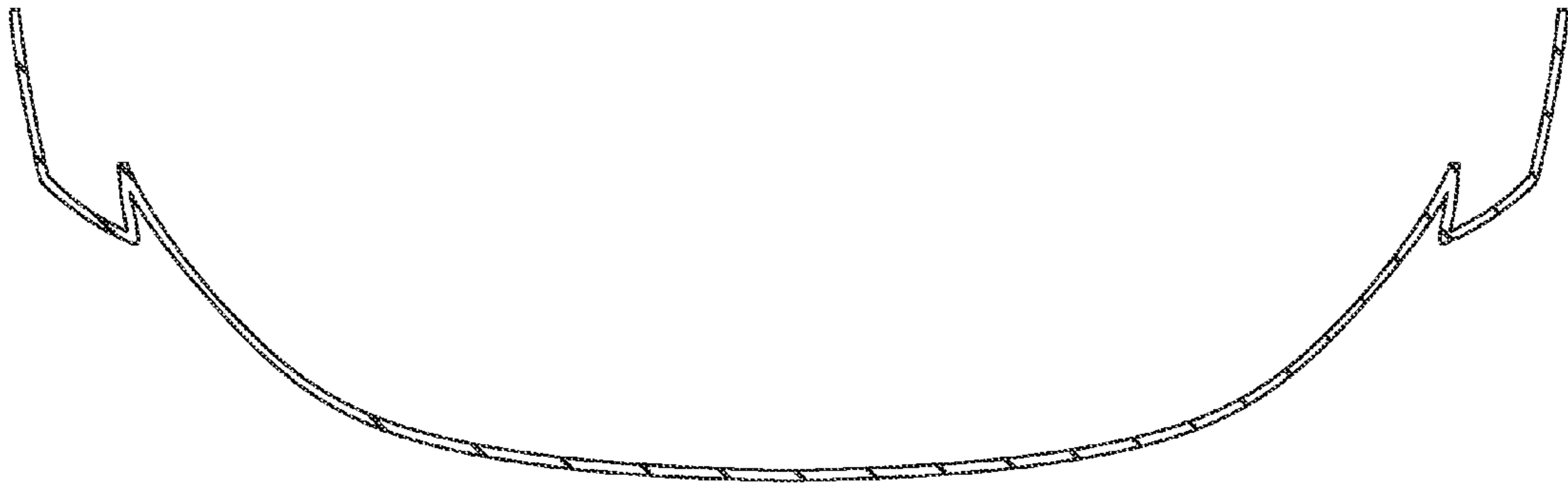


**FIG. 6**

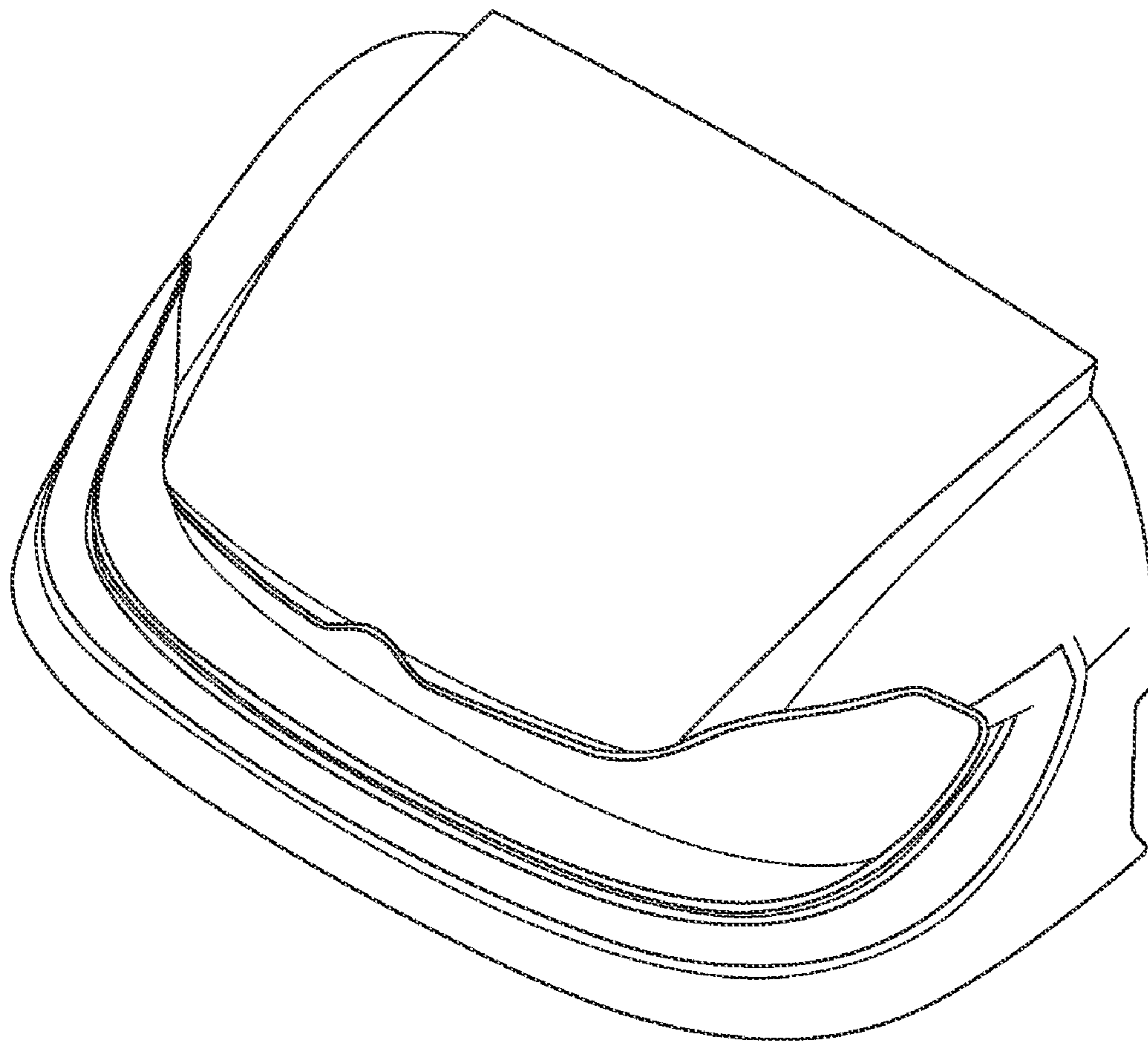


**FIG. 7**

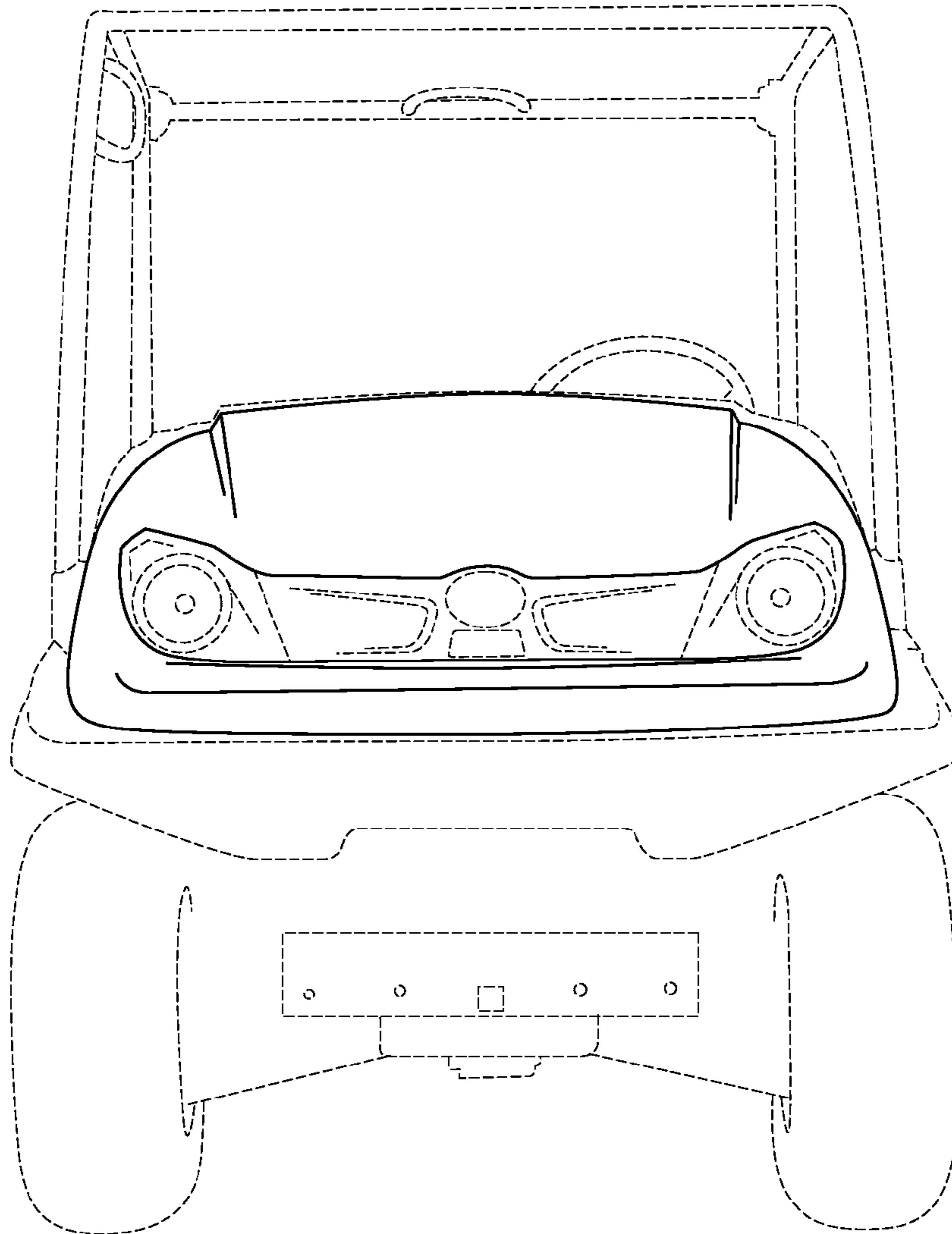




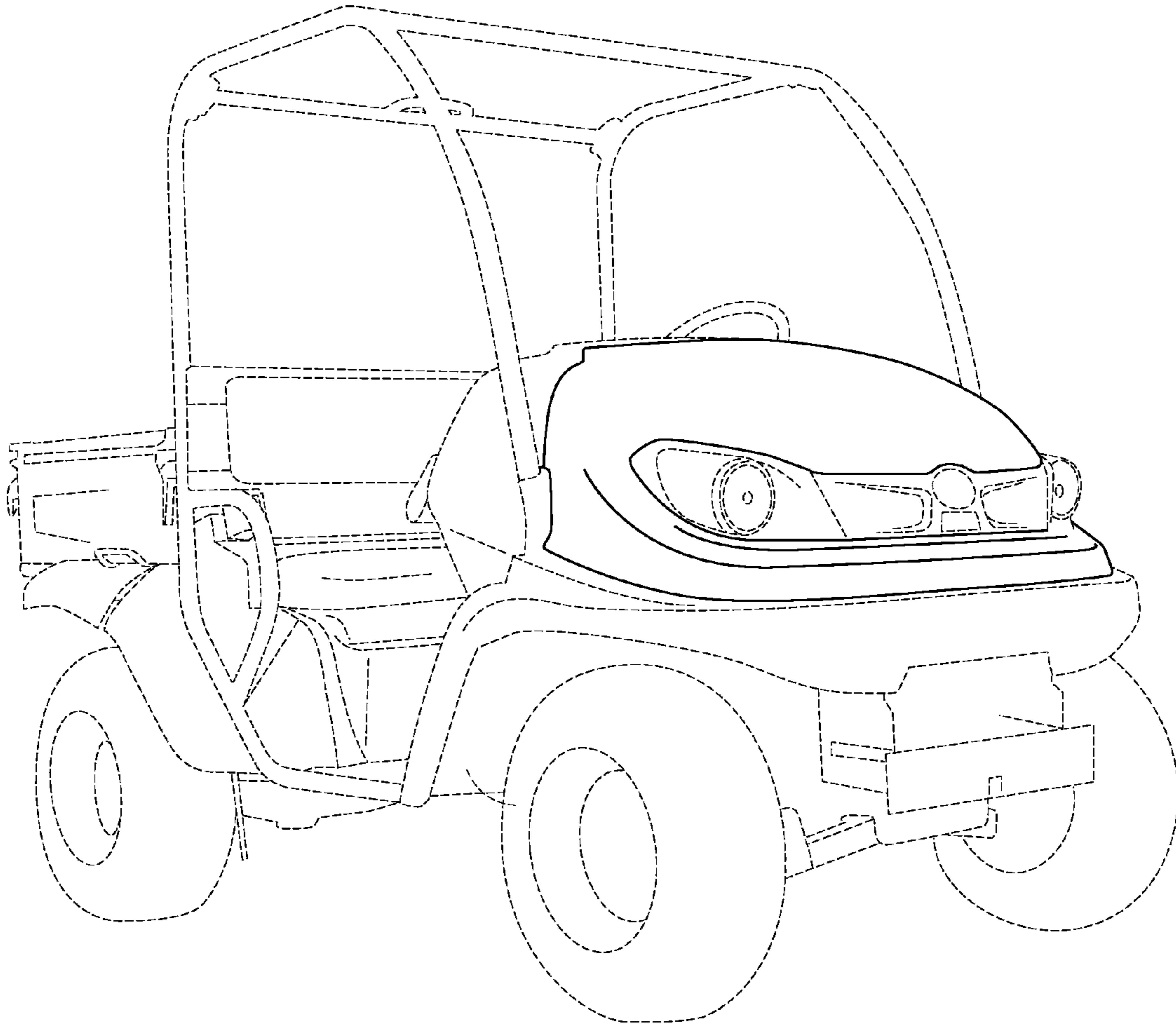
**FIG. 8**



**FIG. 9**



**FIG. 10**



**FIG. 11**