

US00D594037S

(12) **United States Design Patent**
Uemura

(10) **Patent No.:** **US D594,037 S**
(45) **Date of Patent:** **** Jun. 9, 2009**

(54) **CABIN**
(75) Inventor: **Masamitsu Uemura**, Chikugo (JP)
(73) Assignee: **Yanmar Co., Ltd.**, Osaka (JP)
(**) Term: **14 Years**
(21) Appl. No.: **29/323,883**
(22) Filed: **Sep. 2, 2008**
(30) **Foreign Application Priority Data**
Mar. 6, 2008 (JP) 2008-5605

D460,974 S 7/2002 Murakami et al.
D462,974 S 9/2002 Yanagida et al.
D463,455 S 9/2002 Yanagida et al.
D463,807 S * 10/2002 Tamaru et al. D15/30
6,502,896 B1 1/2003 Nakata et al.
D518,071 S 3/2006 Gwak et al.
D523,875 S * 6/2006 Kim D15/30
D528,134 S * 9/2006 Vandendriessche et al. .. D15/30
D538,304 S 3/2007 Uemura
D541,825 S * 5/2007 Pettersson D15/30
D541,826 S * 5/2007 Brush et al. D15/30
D548,753 S * 8/2007 Kim D15/30
D555,677 S * 11/2007 Kuwae et al. D15/30
7,347,488 B2 * 3/2008 Hayes et al. 296/190.08
D577,040 S * 9/2008 Kim D15/30

(51) **LOC (9) Cl.** **15-03**
(52) **U.S. Cl.** **D15/30**
(58) **Field of Classification Search** D15/10,
D15/22-26, 28, 30, 31; 180/89.11, 89.12,
180/89.13, 89.19, 900; 296/190.01, 190.08,
296/210, 190, 202

See application file for complete search history.

(56) **References Cited**
U.S. PATENT DOCUMENTS

D208,402 S * 8/1967 Hofmann D15/30
D229,046 S * 11/1973 Purcell et al. D15/30
3,802,530 A * 4/1974 Purcell et al. 180/89.12
RE29,123 E * 1/1977 Malm et al. 296/35.1
D249,522 S * 9/1978 Elfes et al. D15/30
4,376,612 A 3/1983 Yeou
D275,199 S * 8/1984 Schmidt et al. D15/30
D297,329 S * 8/1988 Monehaie et al. D15/30
5,018,591 A 5/1991 Price
5,222,563 A 6/1993 Van Horlick
D338,019 S 8/1993 Bhambra
5,413,188 A * 5/1995 Ui 180/89.12
D384,358 S * 9/1997 Smith D15/30
D394,069 S * 5/1998 Muranen D15/30
D406,152 S 2/1999 Miyaoka et al.
D431,253 S 9/2000 Marchetta et al.
D450,331 S 11/2001 Murakami et al.
D450,717 S 11/2001 Muraro
D460,462 S 7/2002 Miyanishi et al.

OTHER PUBLICATIONS

U.S. Appl. No. 29/296,382, Ikeda et al., Power Shovel, filed Oct. 18, 2007.
U.S. Appl. No. 29/323,884, Yonekura et al., Excavator, filed Sep. 2, 2008.

* cited by examiner

Primary Examiner—Stella M Reid
Assistant Examiner—Mark A Goodwin
(74) *Attorney, Agent, or Firm*—Sterne Kessler Goldstein & Fox, P.L.L.C.

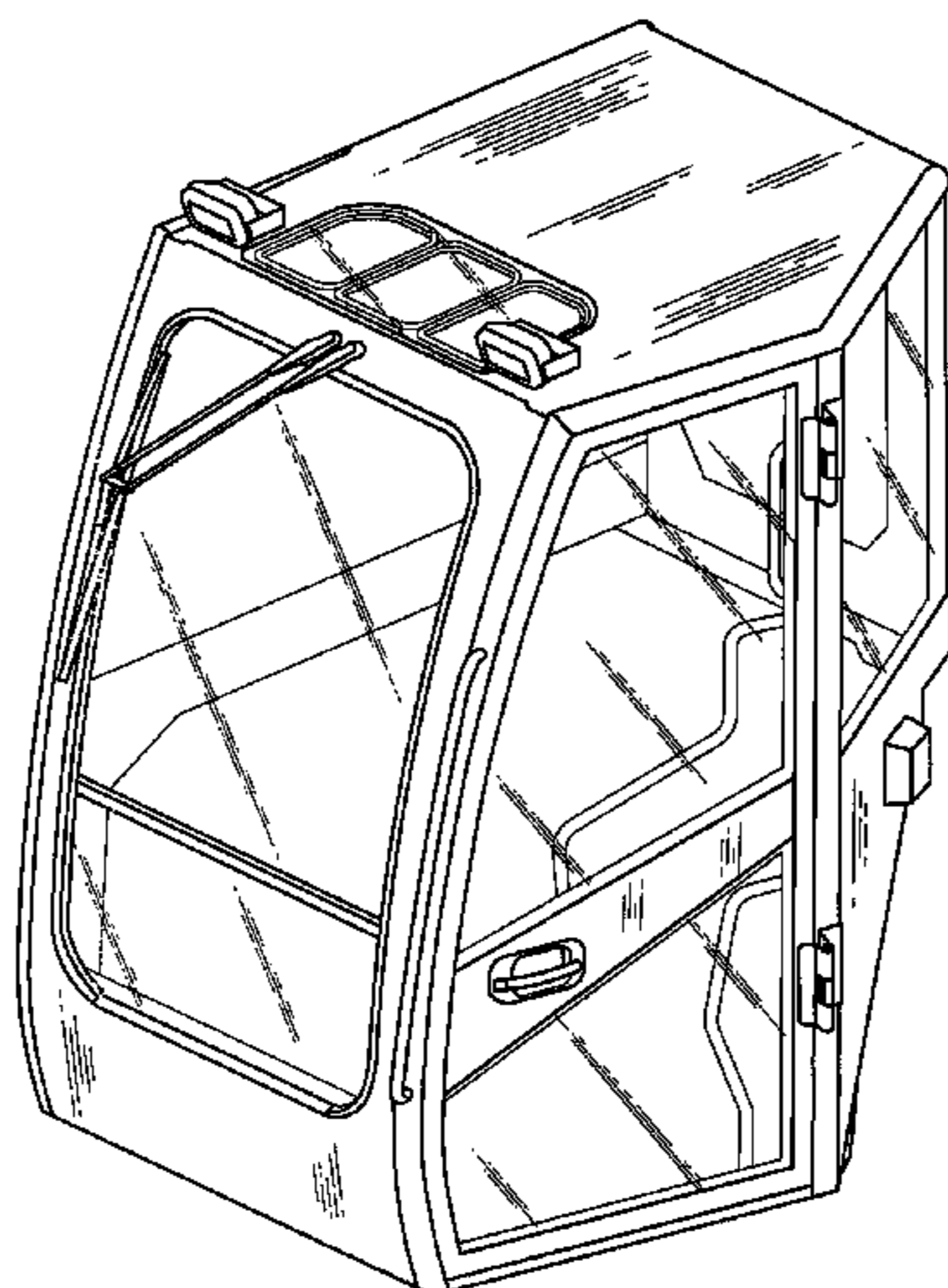
(57) **CLAIM**

The ornamental design for a cabin, as shown and described.

DESCRIPTION

FIG. 1 is a right front perspective view of a cabin showing my new design;
FIG. 2 is a front view thereof;
FIG. 3 is a rear view thereof;
FIG. 4 is a left side view thereof;
FIG. 5 is right side view thereof;
FIG. 6 is a top plan view thereof; and,
FIG. 7 is a bottom plan view thereof.

1 Claim, 7 Drawing Sheets



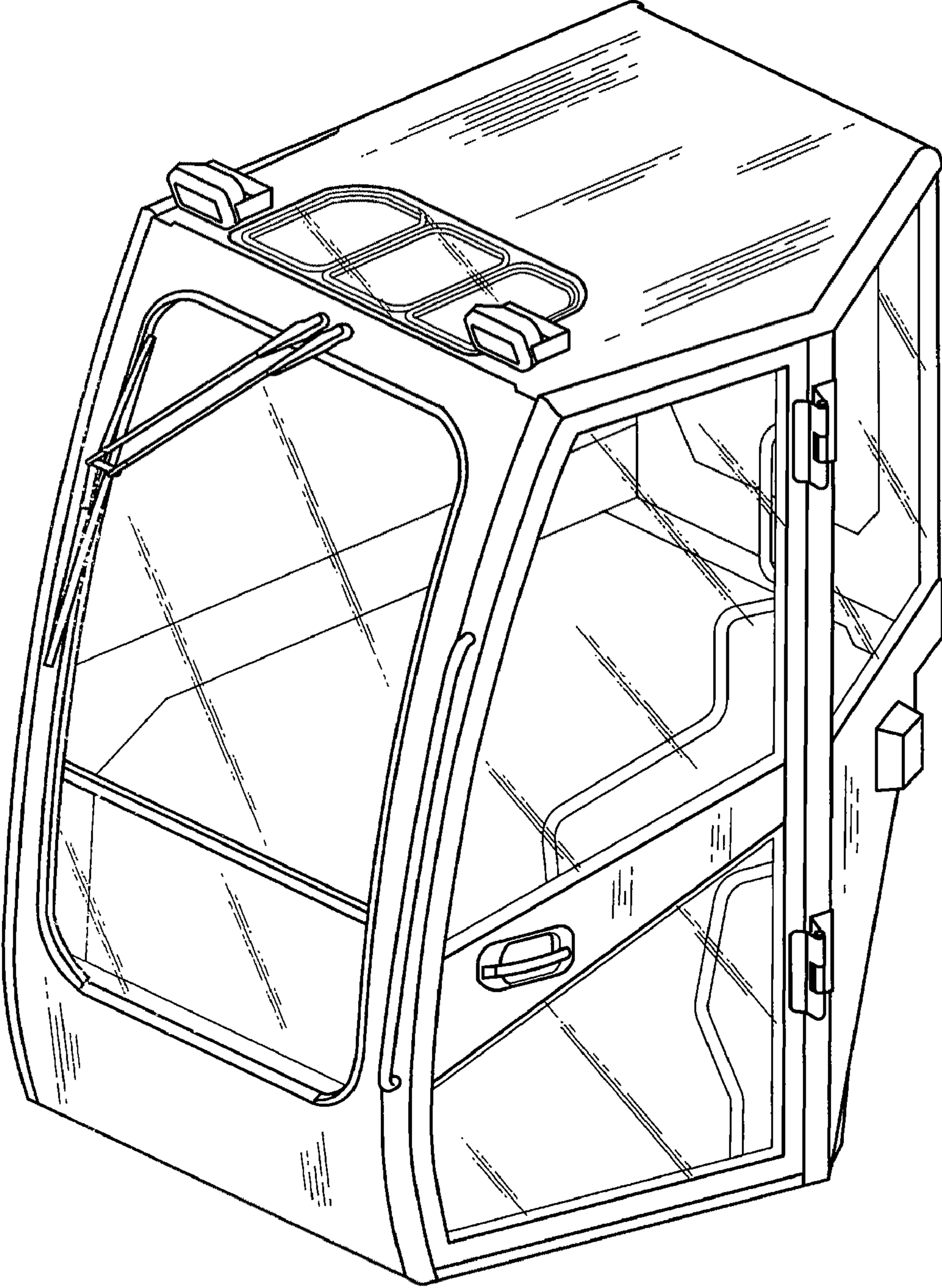


FIG. 1

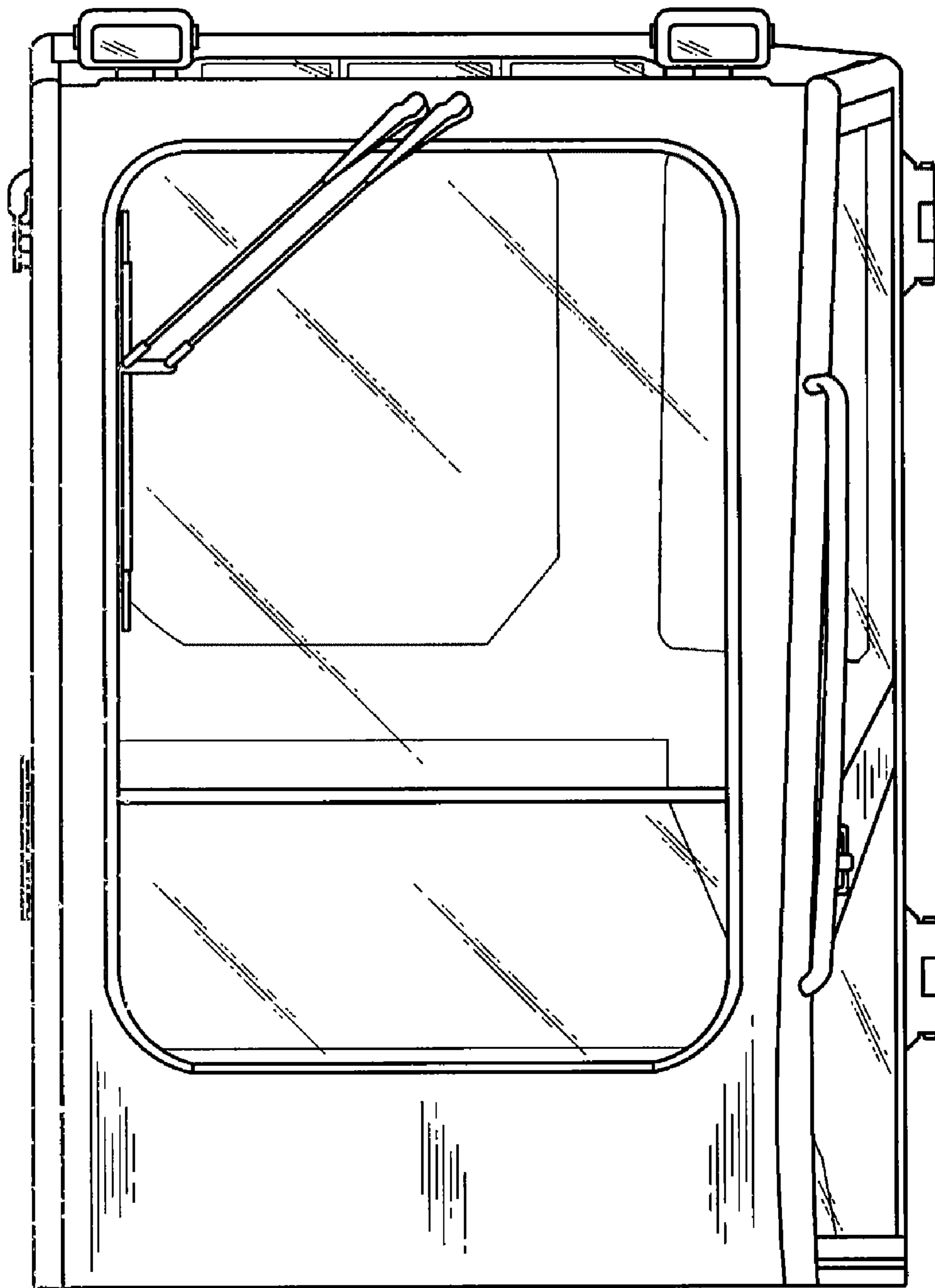


FIG. 2

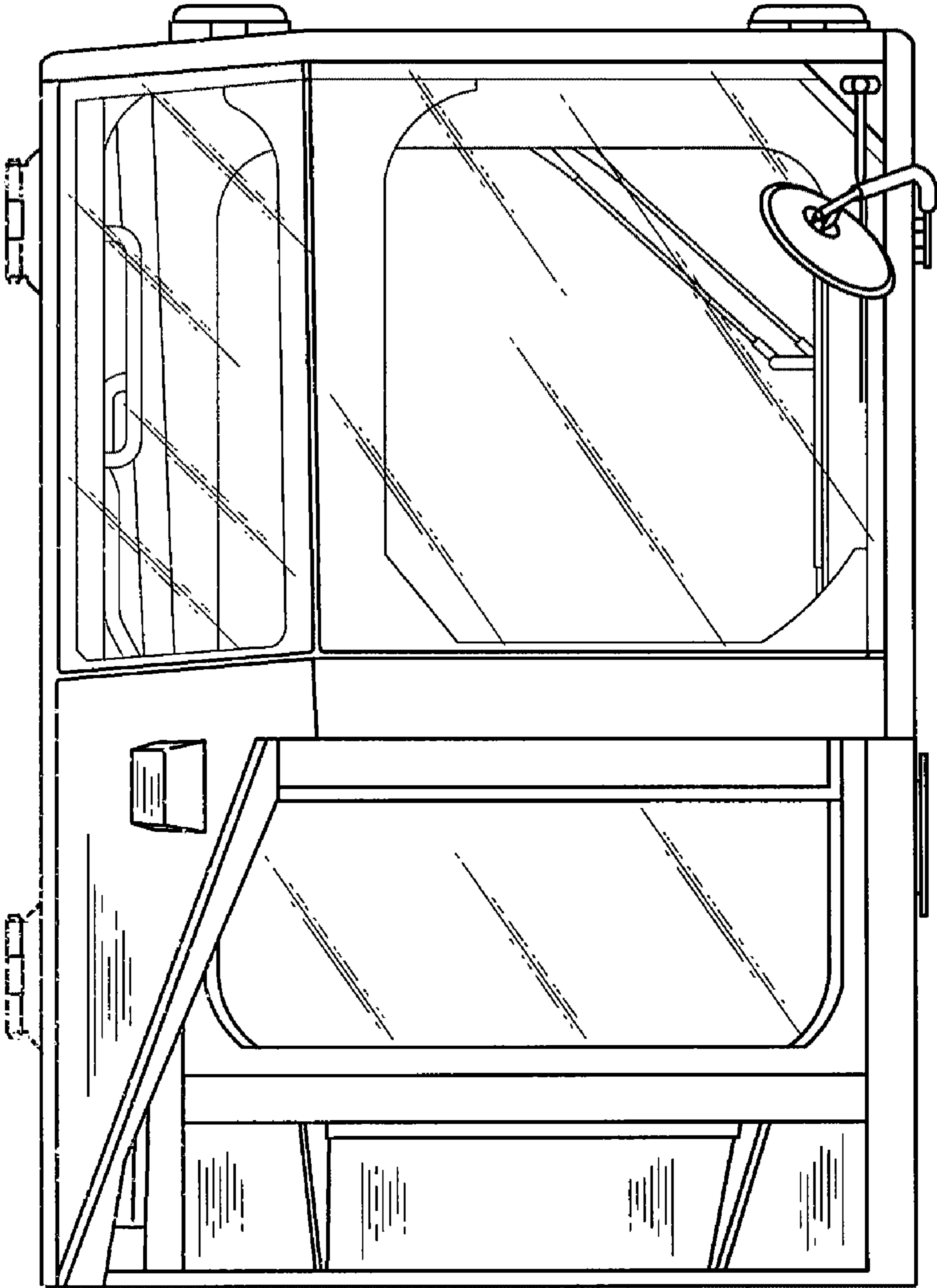


FIG. 3

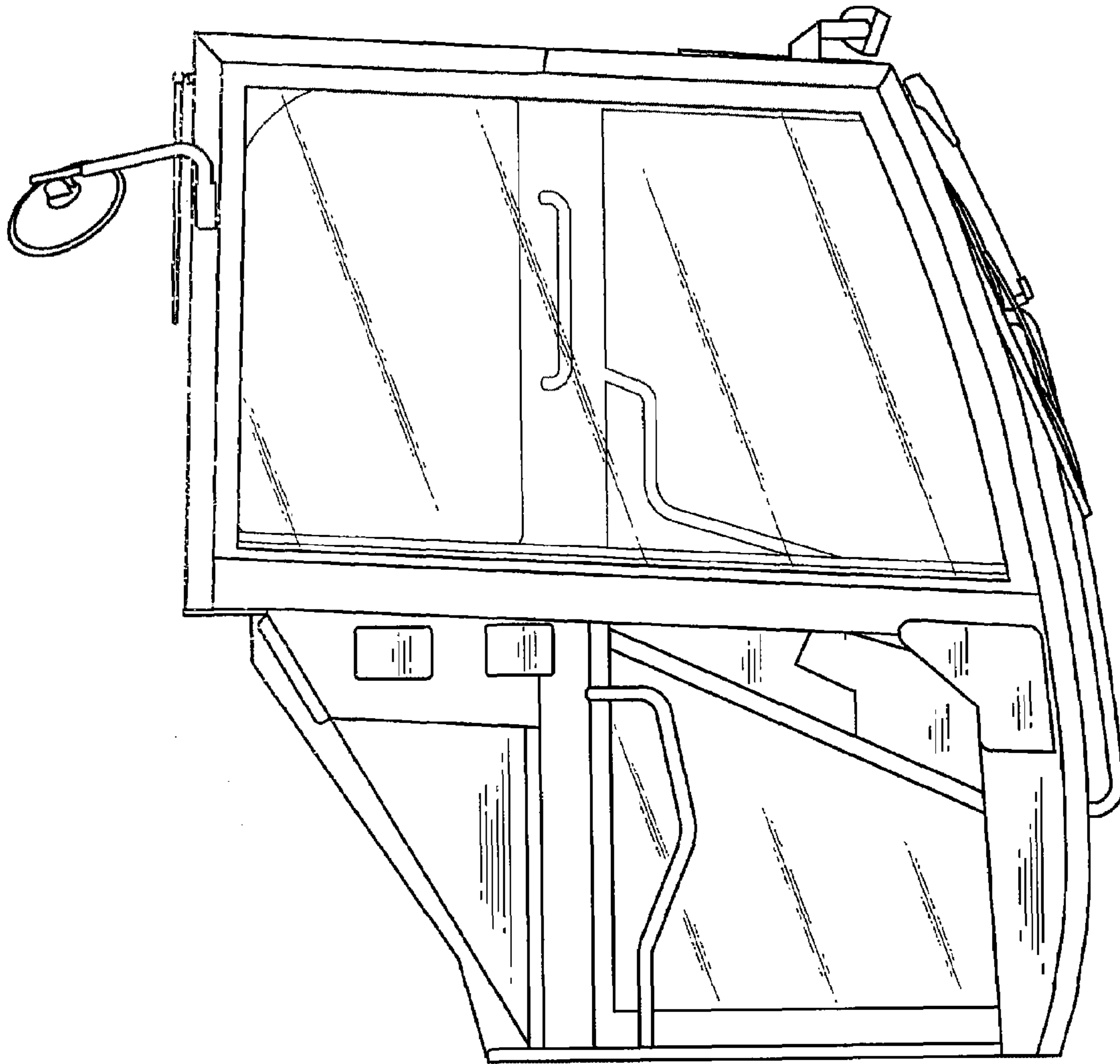


FIG. 4

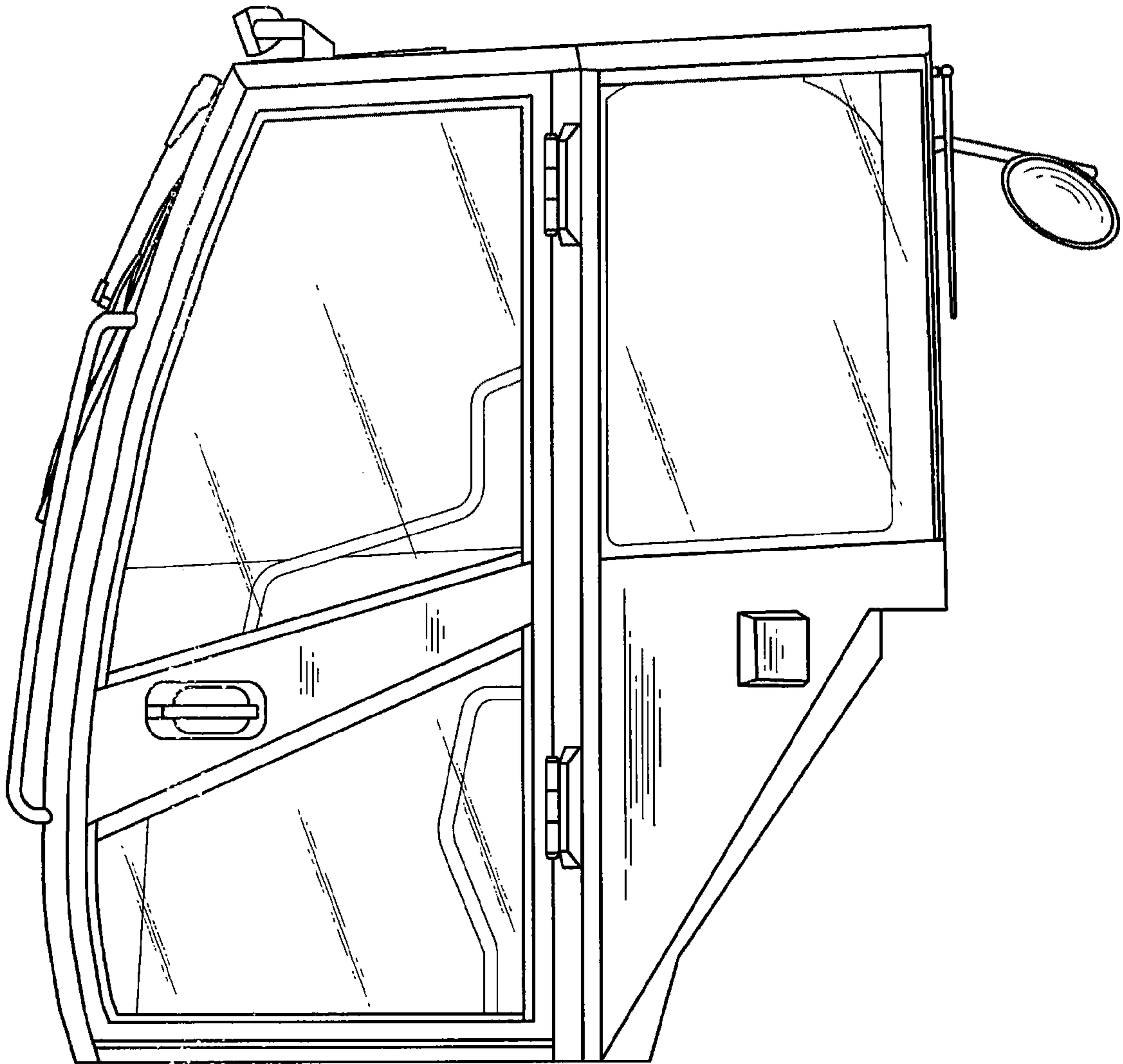


FIG. 5

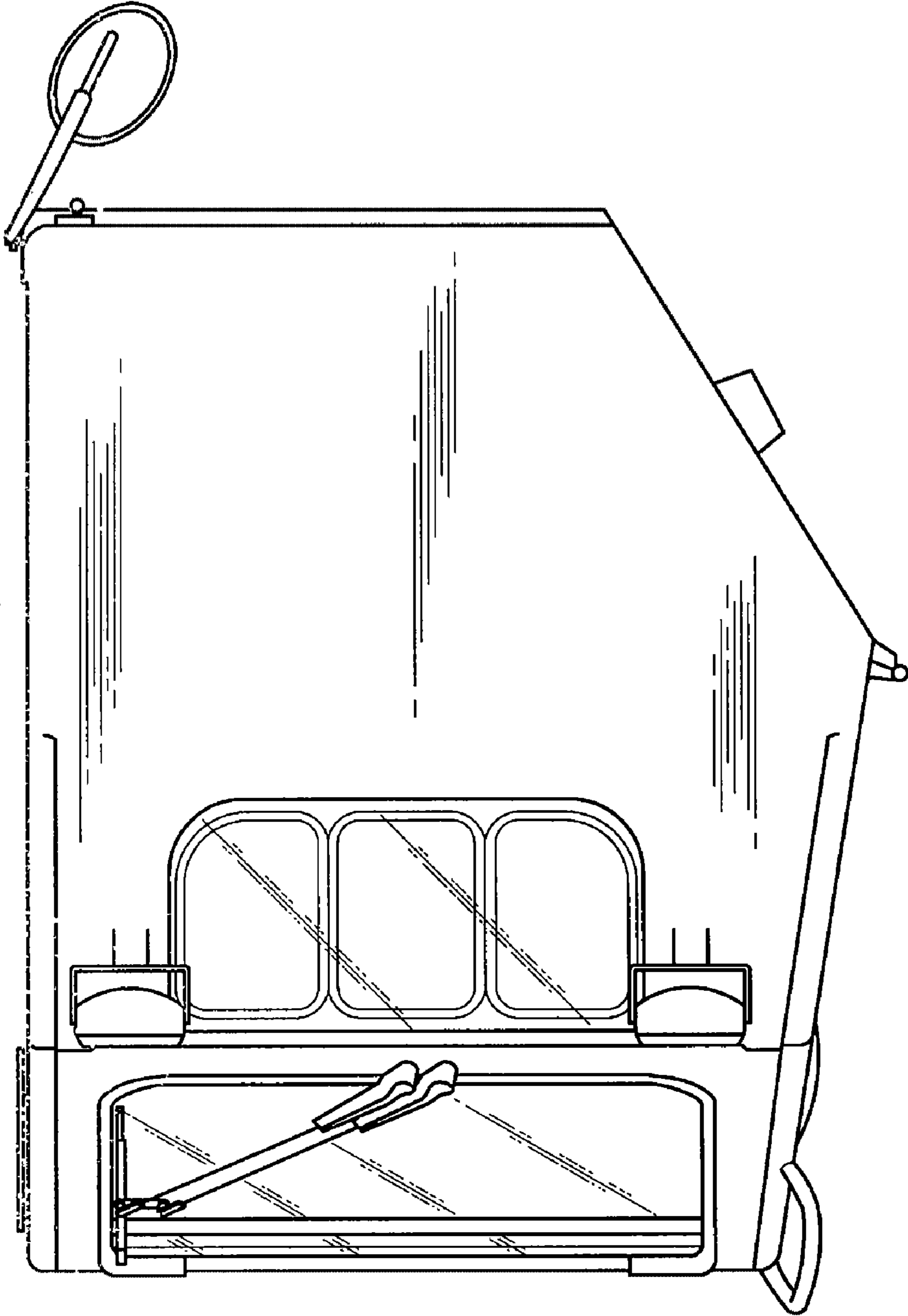


FIG. 6

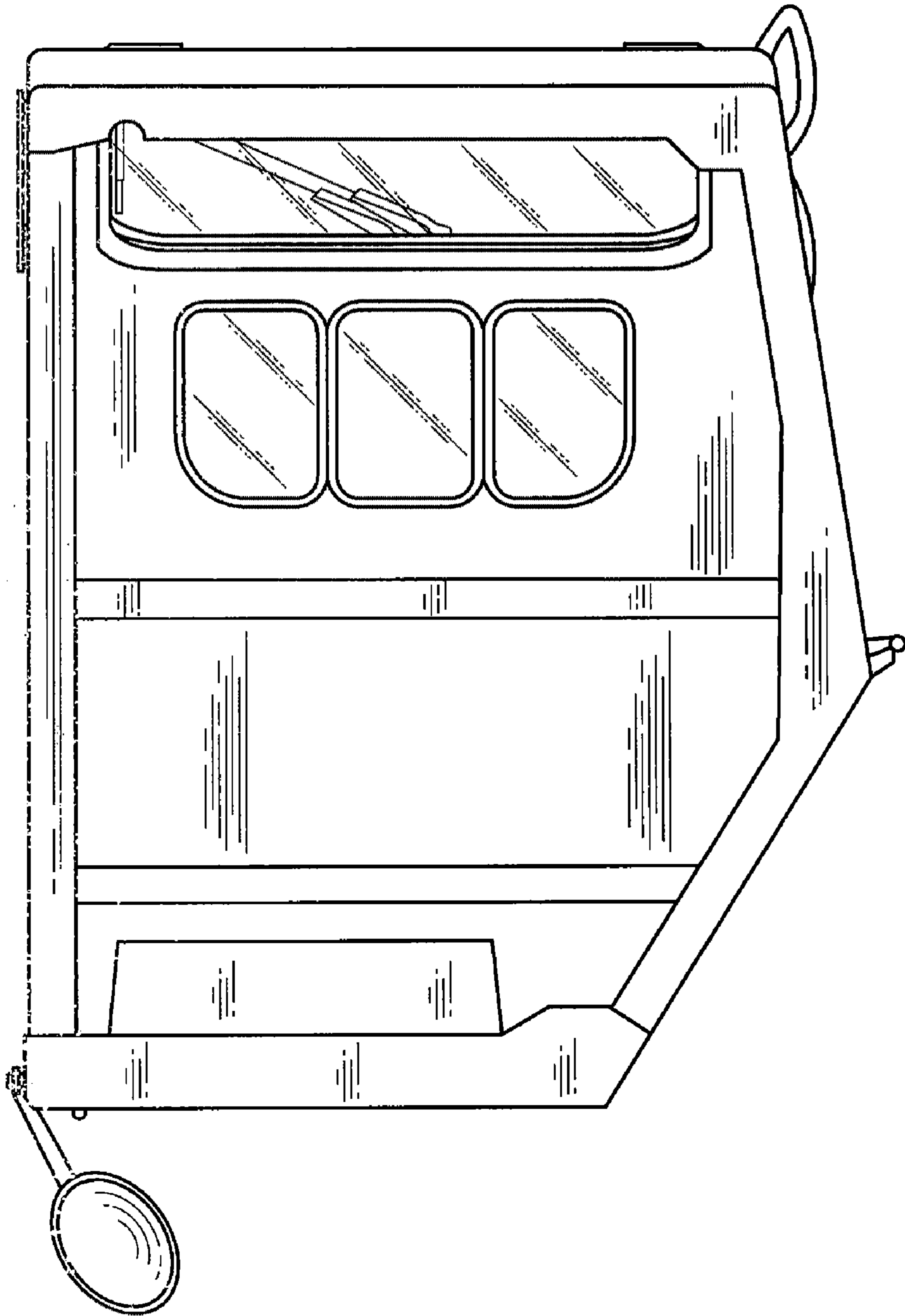


FIG. 7