



US00D594036S

(12) **United States Design Patent**
Iwakata et al.

(10) **Patent No.:** **US D594,036 S**
(45) **Date of Patent:** **** Jun. 9, 2009**

(54) **CABIN OF MOTOR GRADER**

(75) Inventors: **Osamu Iwakata**, Komatsu (JP);
Kazuhiro Takemoto, Komatsu (JP);
Hayato Kinoshita, Tokyo (JP)

(73) Assignee: **Komatsu Ltd.**, Tokyo (JP)

(**) Term: **14 Years**

(21) Appl. No.: **29/309,864**

(22) Filed: **Oct. 29, 2008**

(51) **LOC (9) Cl.** **15-03**

(52) **U.S. Cl.** **D15/30**

(58) **Field of Classification Search** D15/10,
D15/22-26, 28, 30, 31; 180/89.11, 89.12,
180/89.13, 89.19, 900; 296/190.01, 190.08,
296/210, 190, 202

See application file for complete search history.

(56) **References Cited**

U.S. PATENT DOCUMENTS

D208,402 S *	8/1967	Hormann	D15/30
D229,046 S *	11/1973	Purcell et al.	D15/30
3,802,530 A *	4/1974	Purcell et al.	180/89.12
RE29,123 E *	1/1977	Malm et al.	296/35.1
D249,522 S *	9/1978	Elfes et al.	D15/30
D275,199 S *	8/1984	Schmidt et al.	D15/30
D297,329 S *	8/1988	Monehaie et al.	D15/30
5,413,188 A *	5/1995	Ui	180/89.12
D384,358 S *	9/1997	Smith	D15/30
D394,069 S *	5/1998	Muranen	D15/30
D463,807 S *	10/2002	Tamaru et al.	D15/30
D523,875 S *	6/2006	Kim	D15/30

D528,134 S *	9/2006	Vandendriessche et al. ..	D15/30
D541,825 S *	5/2007	Pettersson	D15/30
D541,826 S *	5/2007	Brush et al.	D15/30
D548,753 S *	8/2007	Kim et al.	D15/30
D555,677 S *	11/2007	Kuwae et al.	D15/30
7,347,488 B2 *	3/2008	Hayes et al.	296/190.08
D577,040 S *	9/2008	Kim	D15/30

* cited by examiner

Primary Examiner—Stella M Reid

Assistant Examiner—Mark A Goodwin

(74) *Attorney, Agent, or Firm*—Manabu Kanesaka

(57) **CLAIM**

The ornamental design for a cabin of motor grader, as shown and described.

DESCRIPTION

FIG. 1 is a top left front perspective view of a cabin of motor grader showing our new design;

FIG. 2 is a top right front perspective view thereof;

FIG. 3 is a top left rear perspective view thereof;

FIG. 4 is a top right rear perspective view thereof;

FIG. 5 is a front view thereof;

FIG. 6 is a rear view thereof;

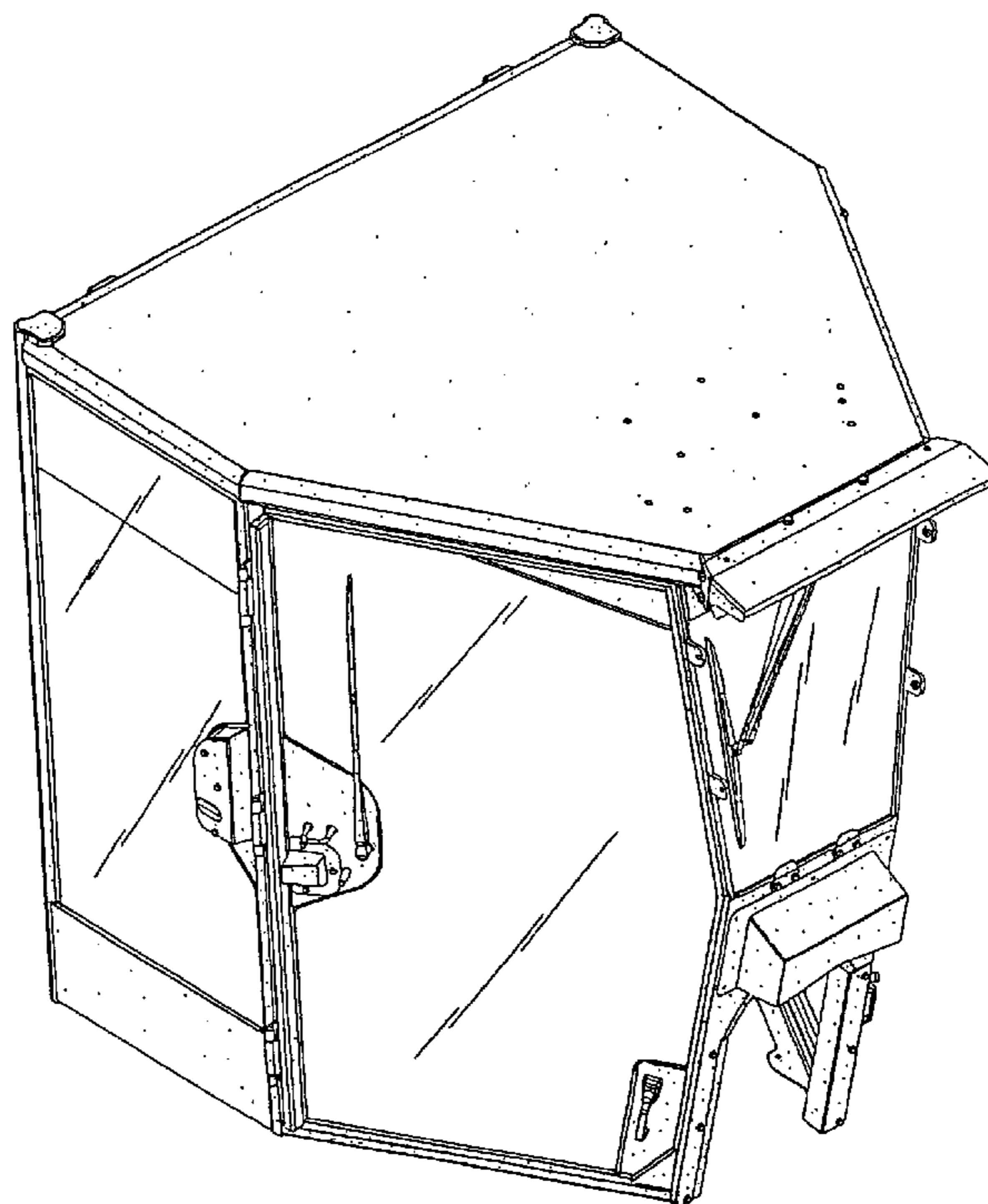
FIG. 7 is a top plan view thereof view thereof;

FIG. 8 is a bottom plan view thereof;

FIG. 9 is a right side view thereof; and,

FIG. 10 is a left side view thereof.

1 Claim, 10 Drawing Sheets



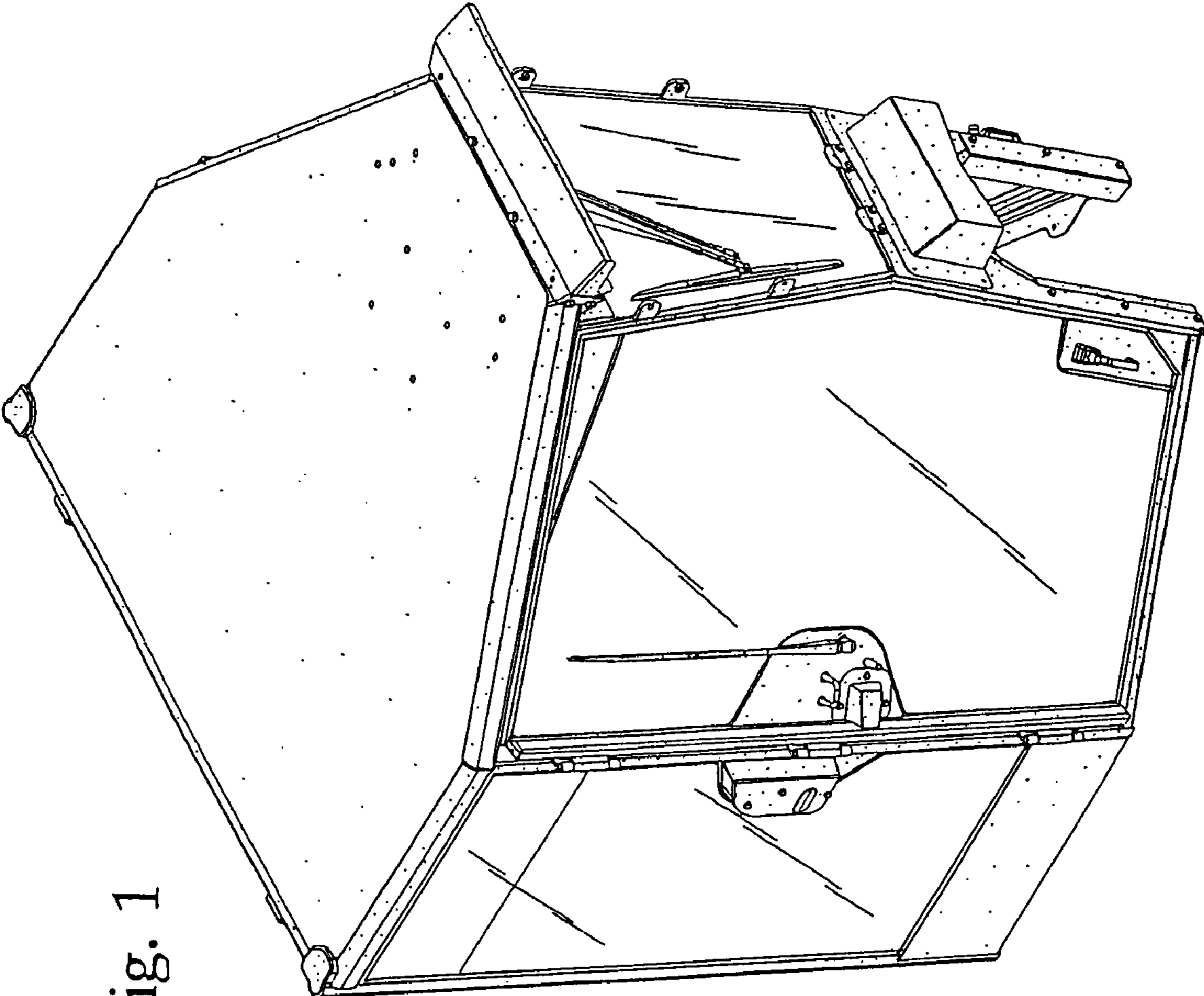


Fig. 1

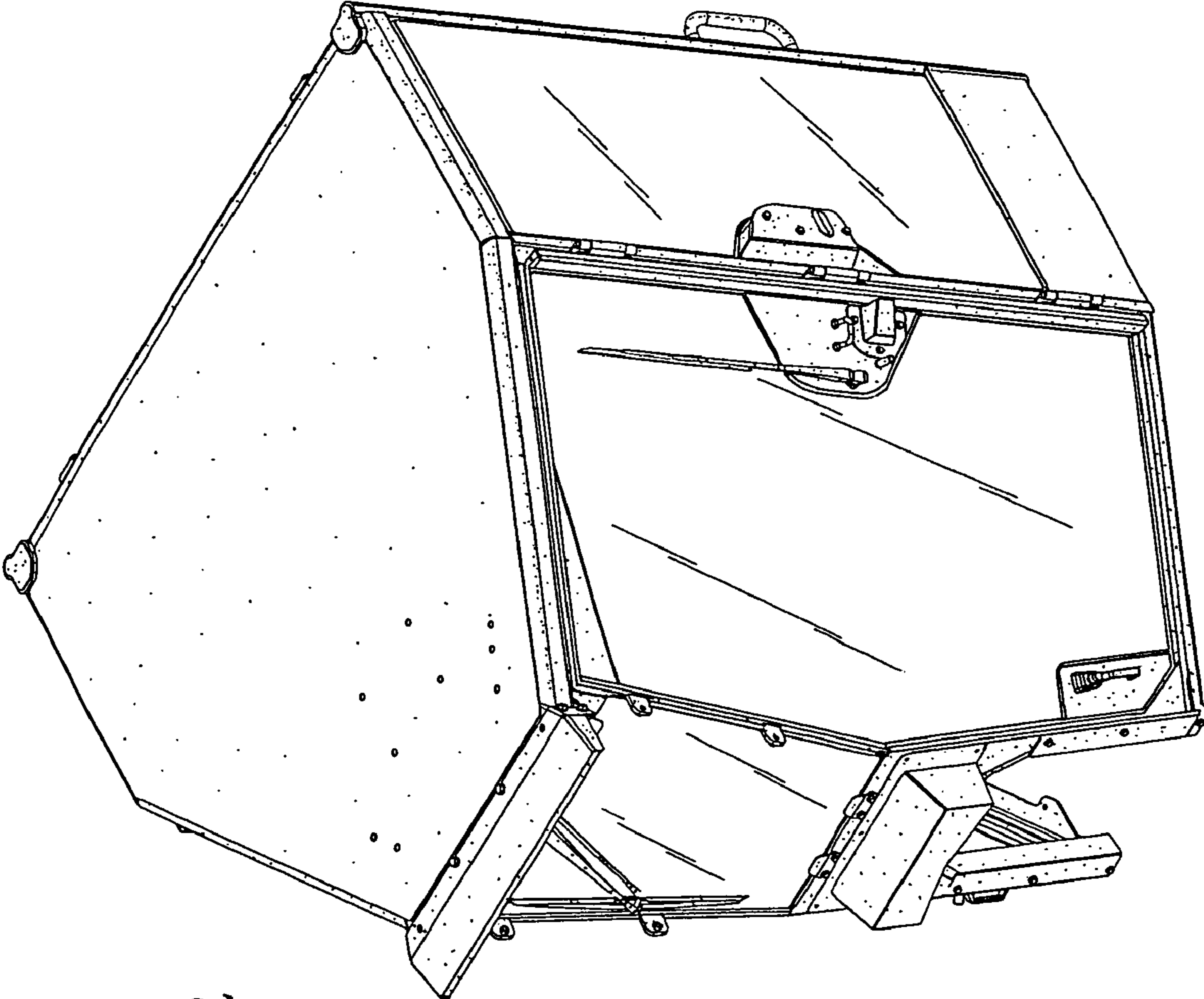


Fig. 2

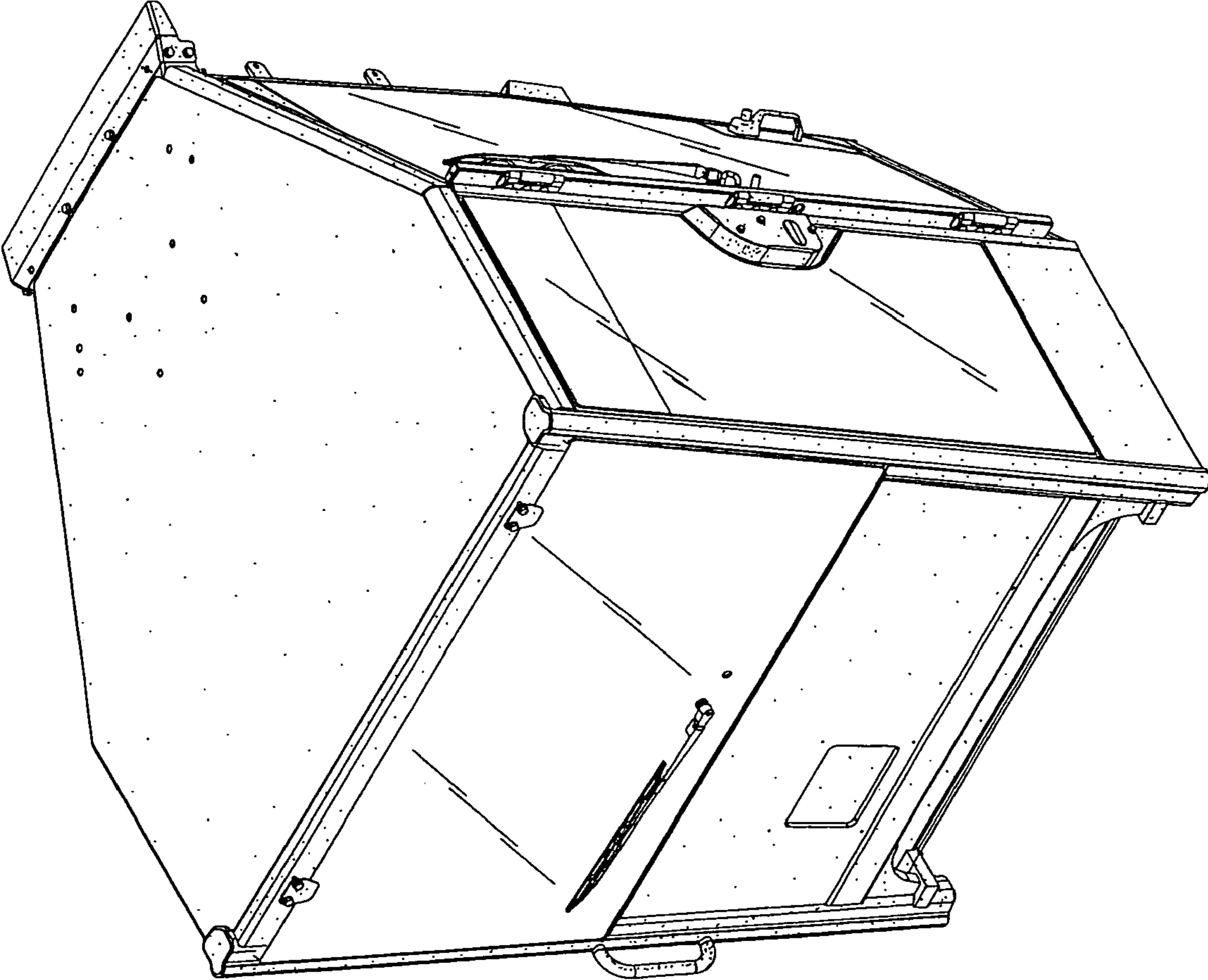


Fig. 3

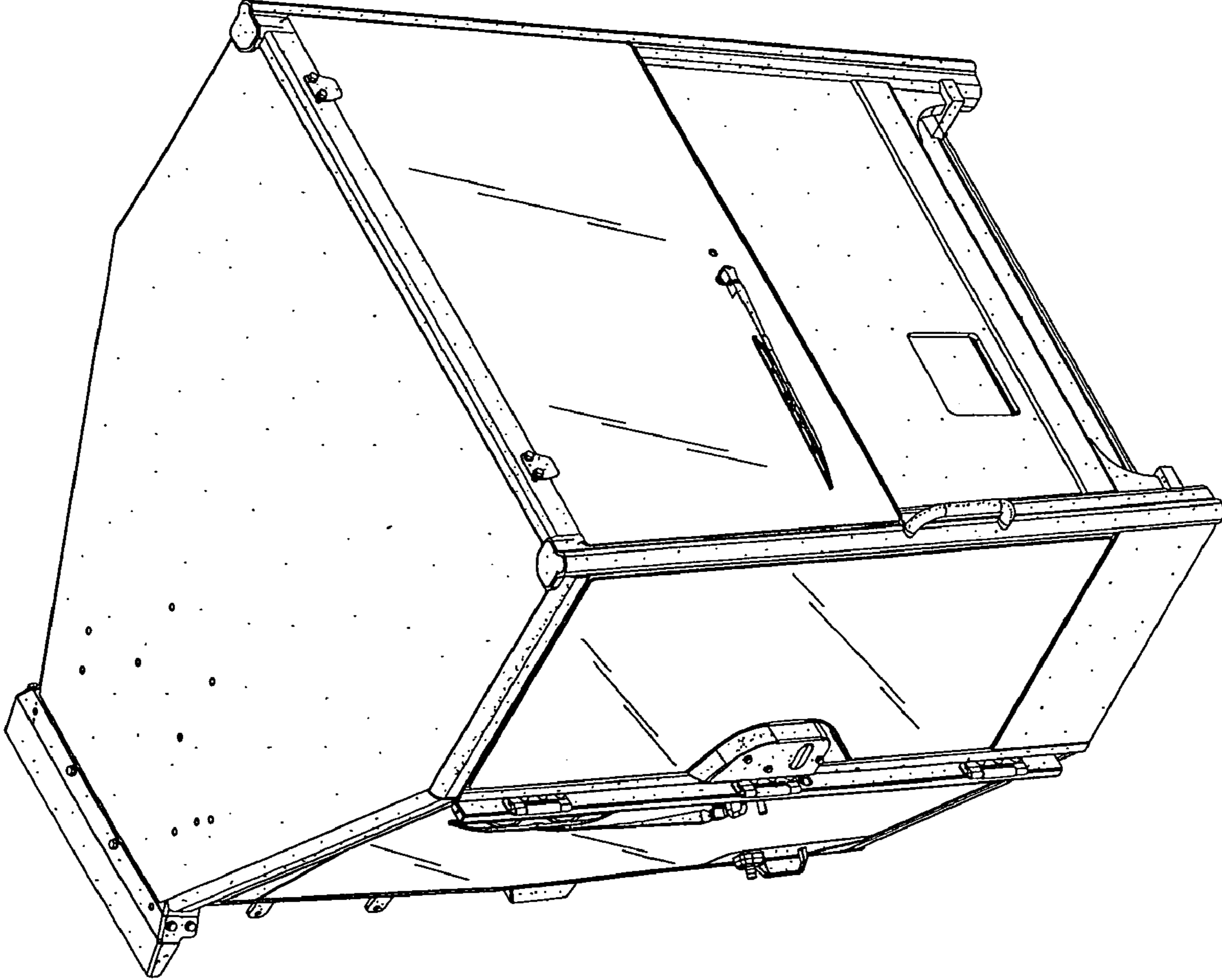


Fig. 4

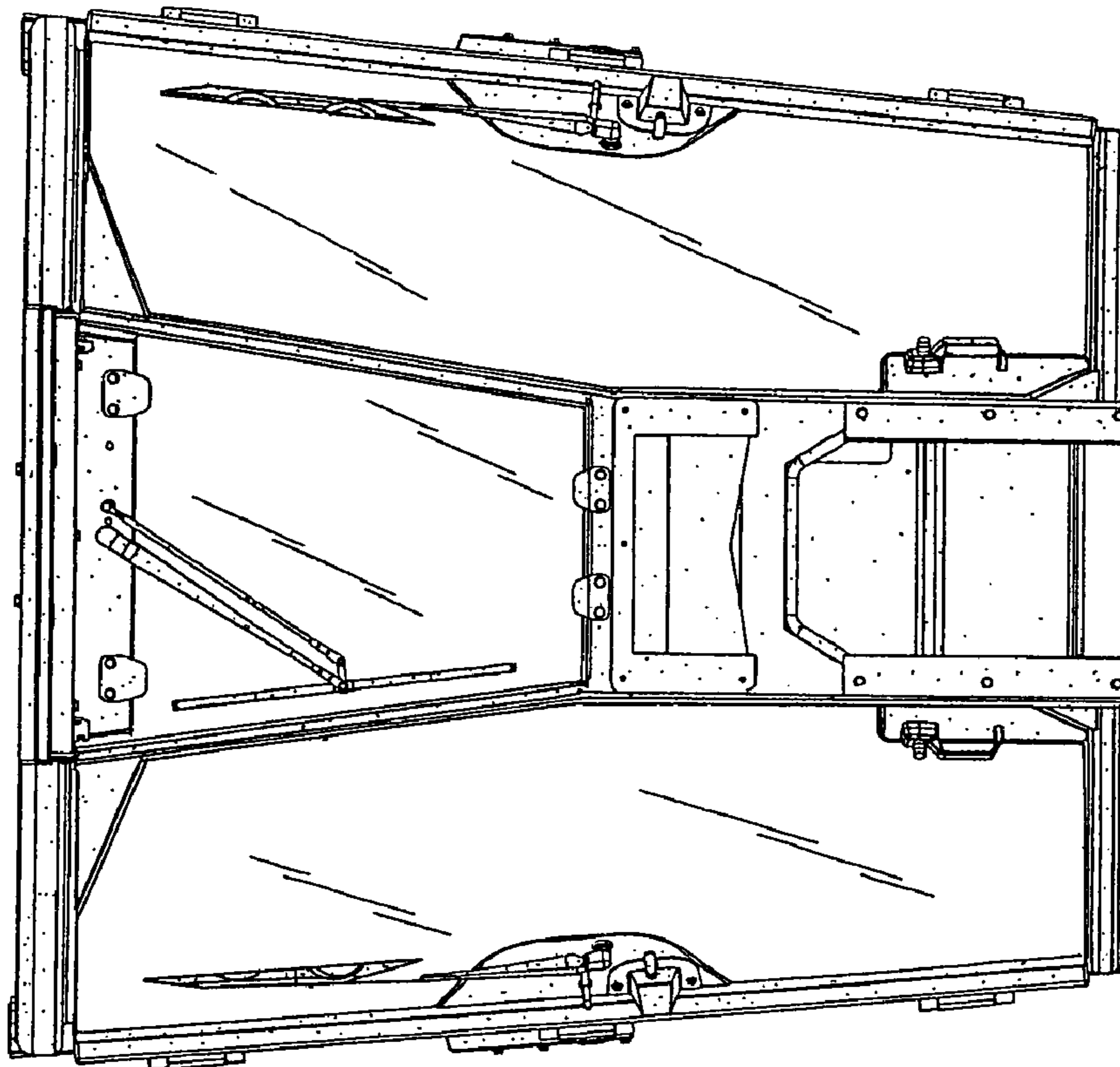


Fig. 5

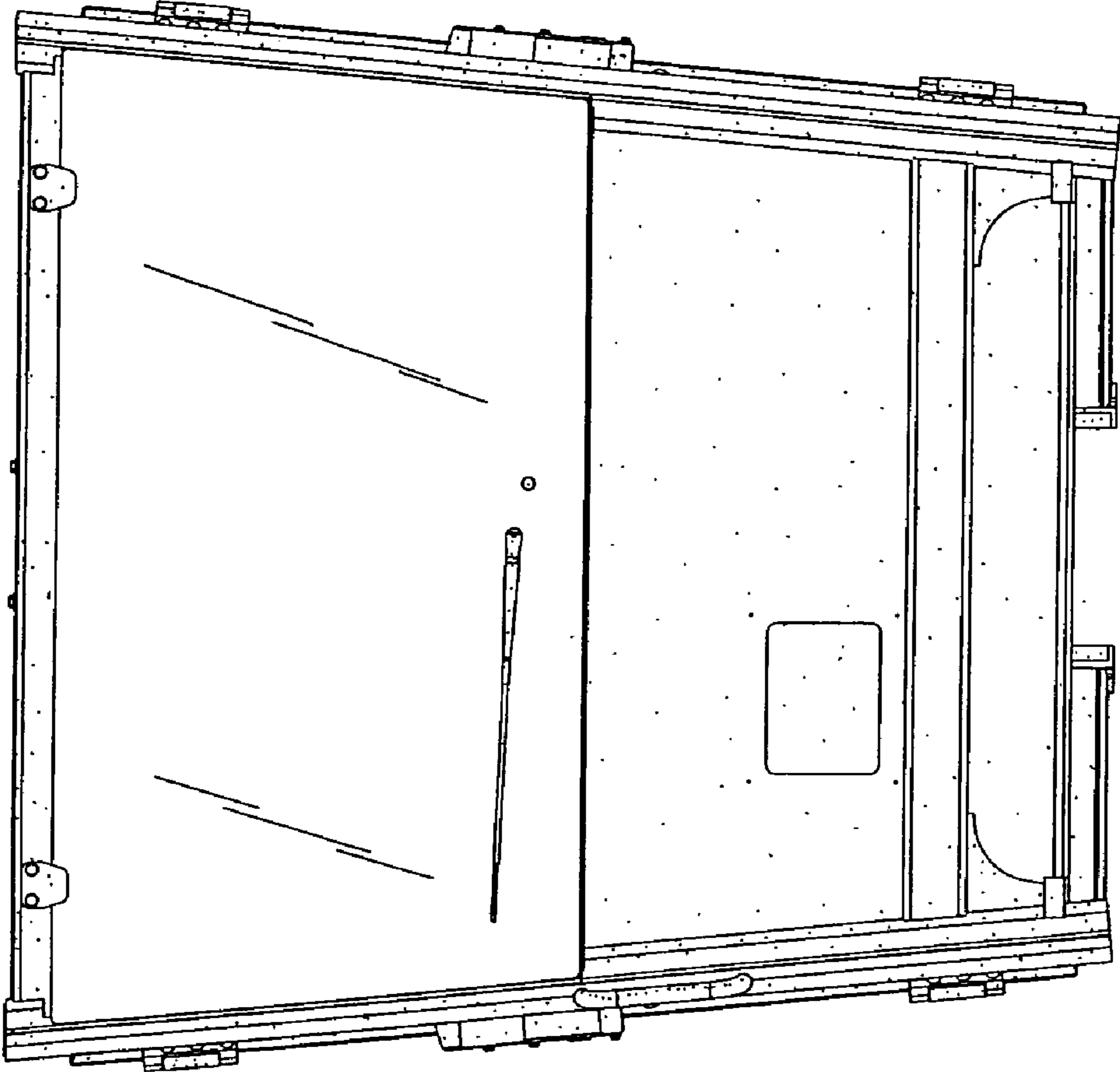


Fig. 6

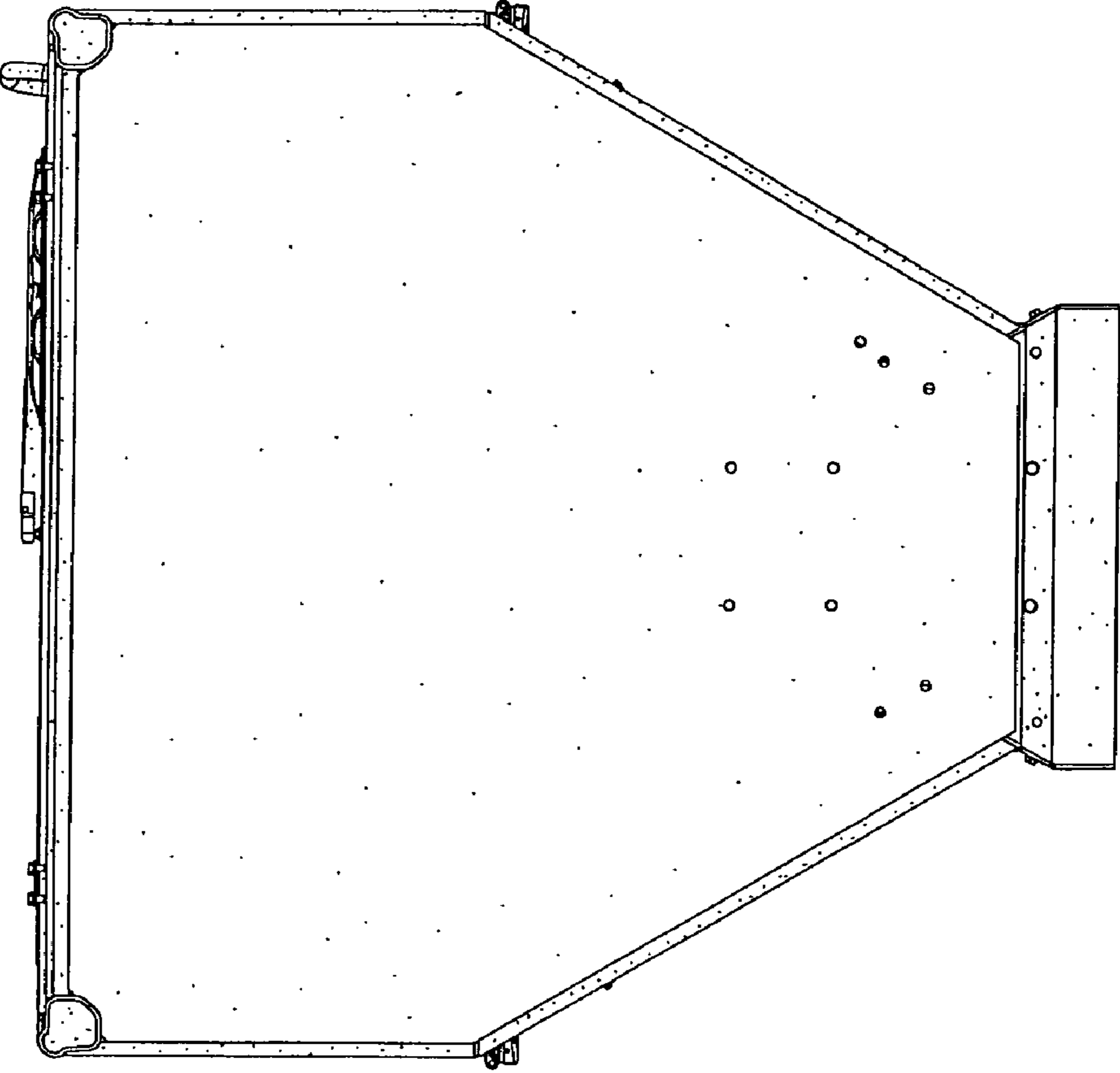


Fig. 7

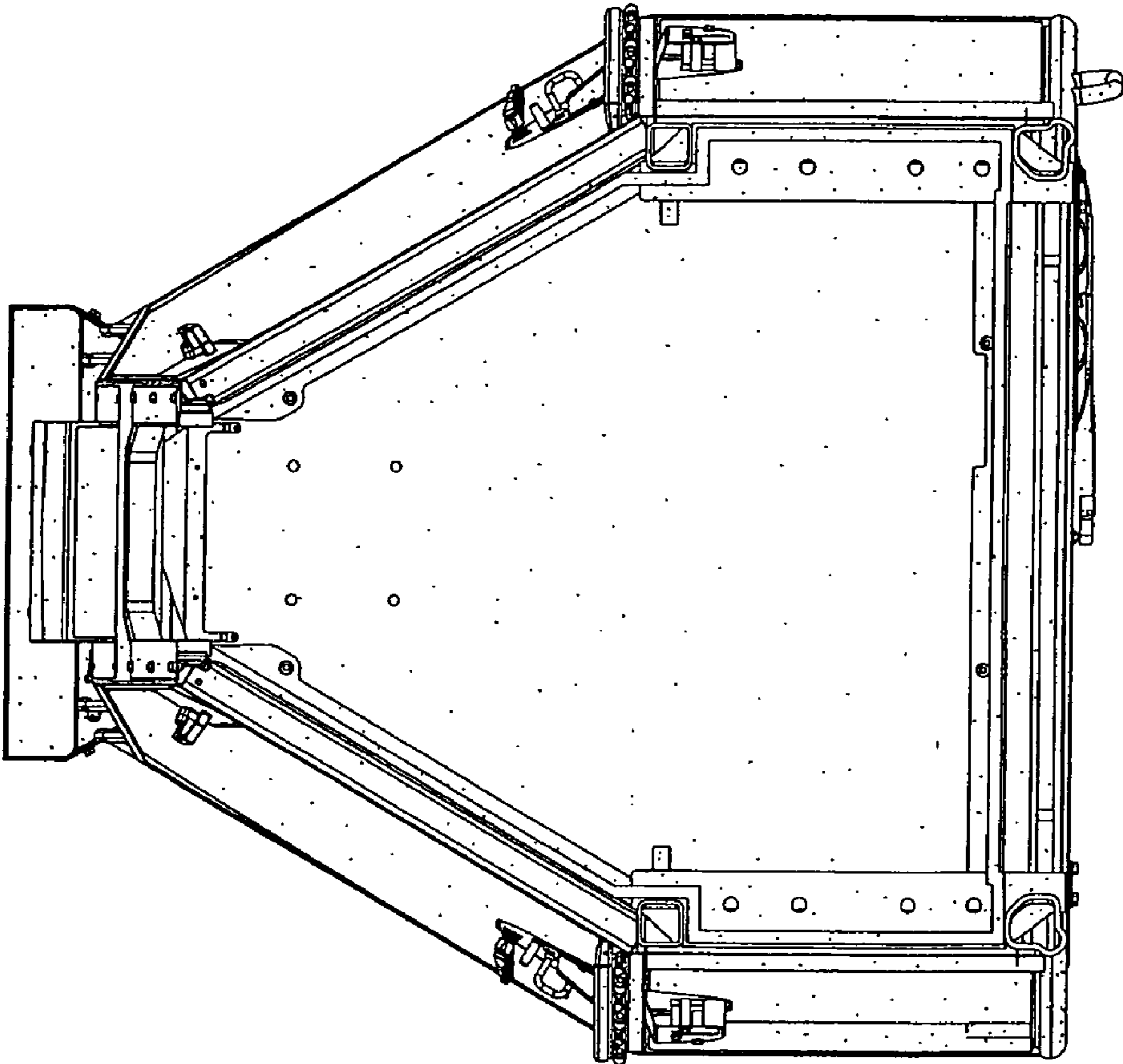


Fig. 8

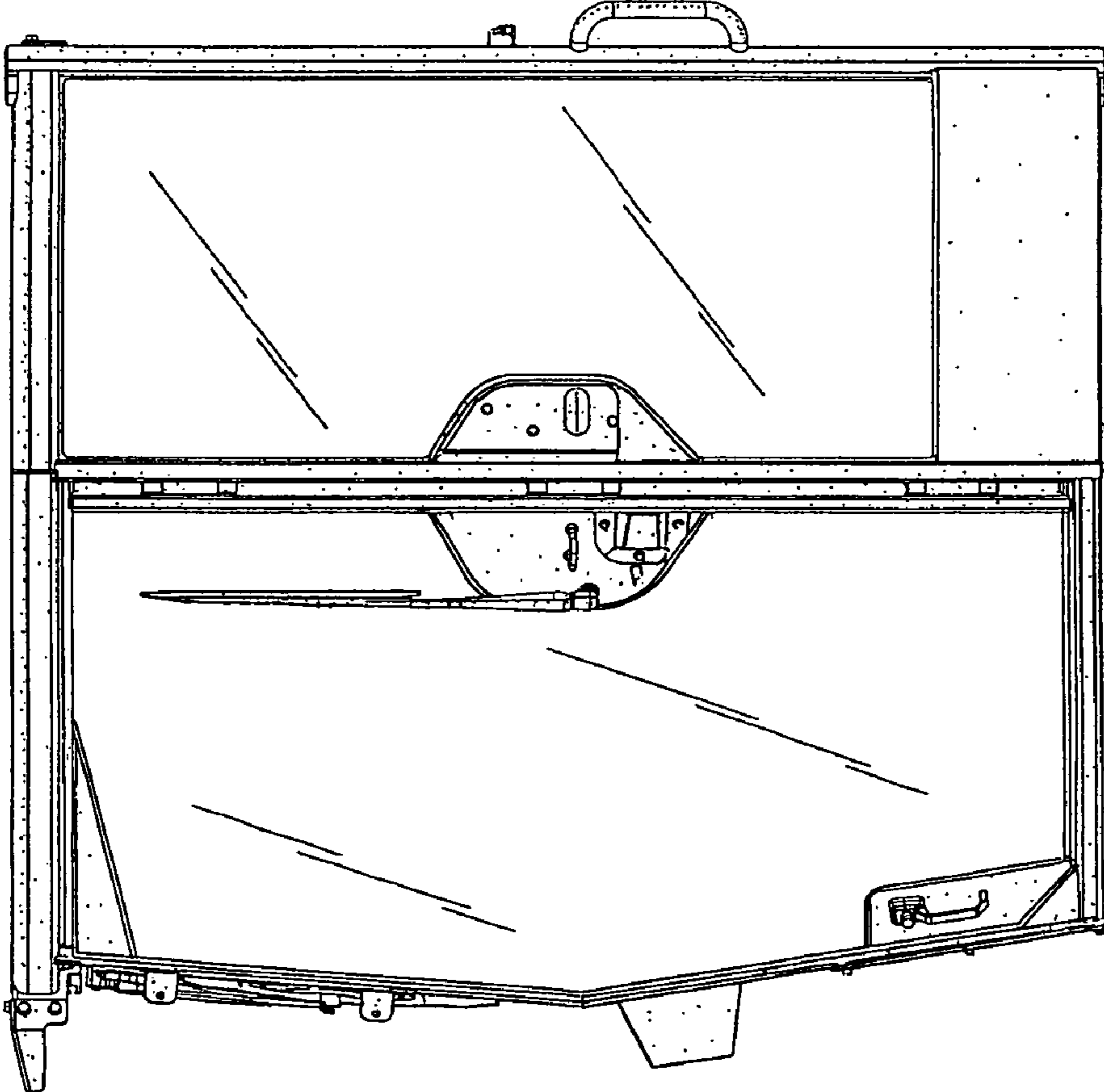


Fig. 9

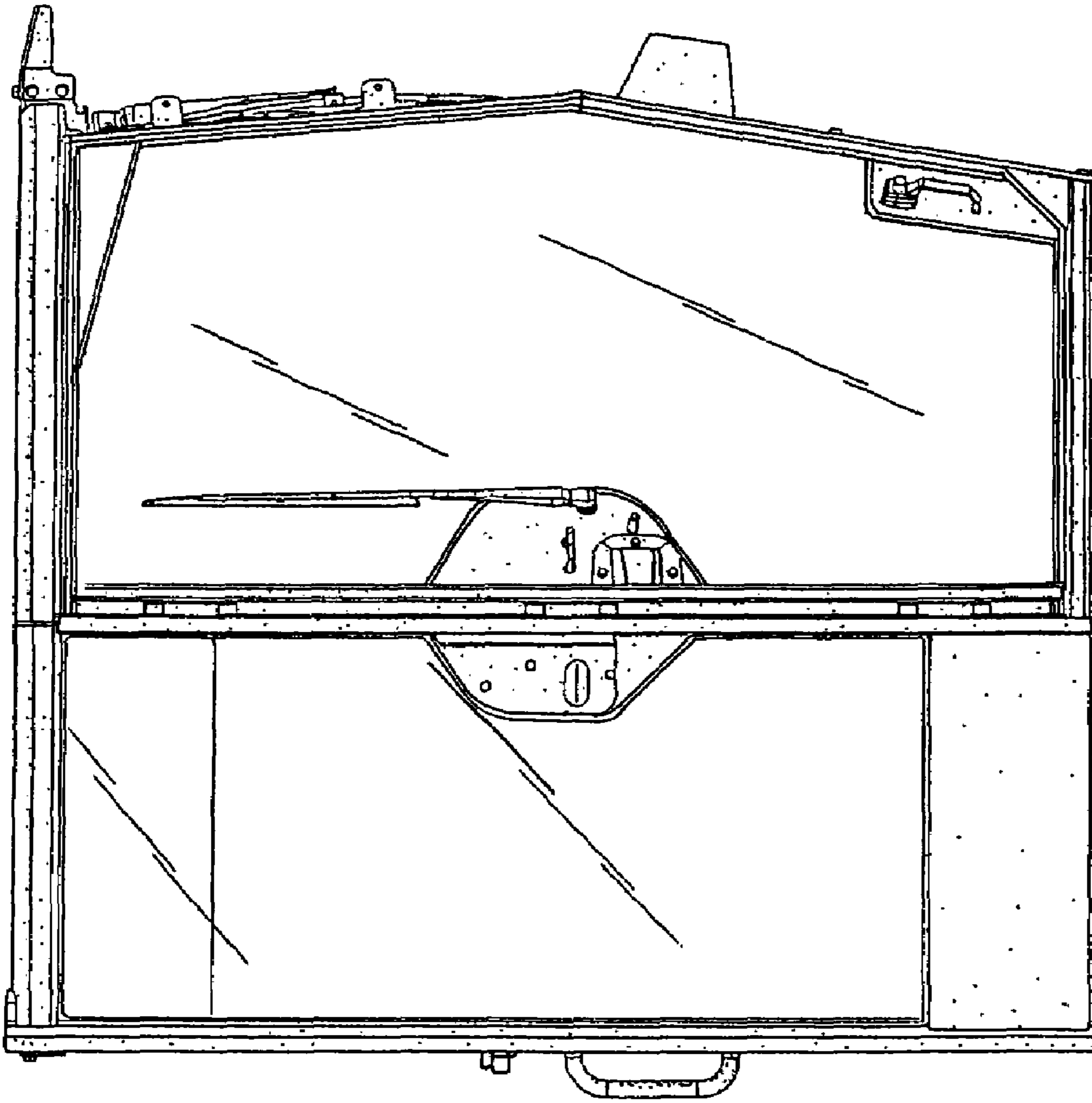


Fig. 10