



US00D594032S

(12) **United States Design Patent**  
**Nimberger**

(10) **Patent No.:** **US D594,032 S**  
(45) **Date of Patent:** **\*\* Jun. 9, 2009**

(54) **5 VALVE SINGLE FLANGE MANIFOLD**

D521,596 S \* 5/2006 Nimberger ..... D23/233

(75) Inventor: **Spencer M. Nimberger**, Houston, TX  
(US)

\* cited by examiner

(73) Assignee: **PGI International, Ltd.**, Houston, TX  
(US)

*Primary Examiner*—Ian Simmons  
*Assistant Examiner*—Maurice Stevens  
(74) *Attorney, Agent, or Firm*—Browning Bushman P.C.

(\*\*) Term: **14 Years**

(57) **CLAIM**

(21) Appl. No.: **29/245,439**

The ornamental design for a 5 valve single flange manifold, as shown and described.

(22) Filed: **Dec. 21, 2005**

**DESCRIPTION**

(51) **LOC (9) Cl.** ..... **15-01**

(52) **U.S. Cl.** ..... **D15/5**

(58) **Field of Classification Search** ..... D15/5;  
D23/233, 269; 137/596.13, 596.16, 597.16,  
137/1, 505.38, 352, 343, 577

See application file for complete search history.

FIG. 1 is a perspective view of a 5 valve single flange manifold;

FIG. 2 is a top view thereof;

FIG. 3 is a bottom view thereof;

FIG. 4 is a rear view thereof;

FIG. 5 is a front view thereof; and,

FIG. 6 is a right-side view thereof, the left-side view is a mirror image thereof.

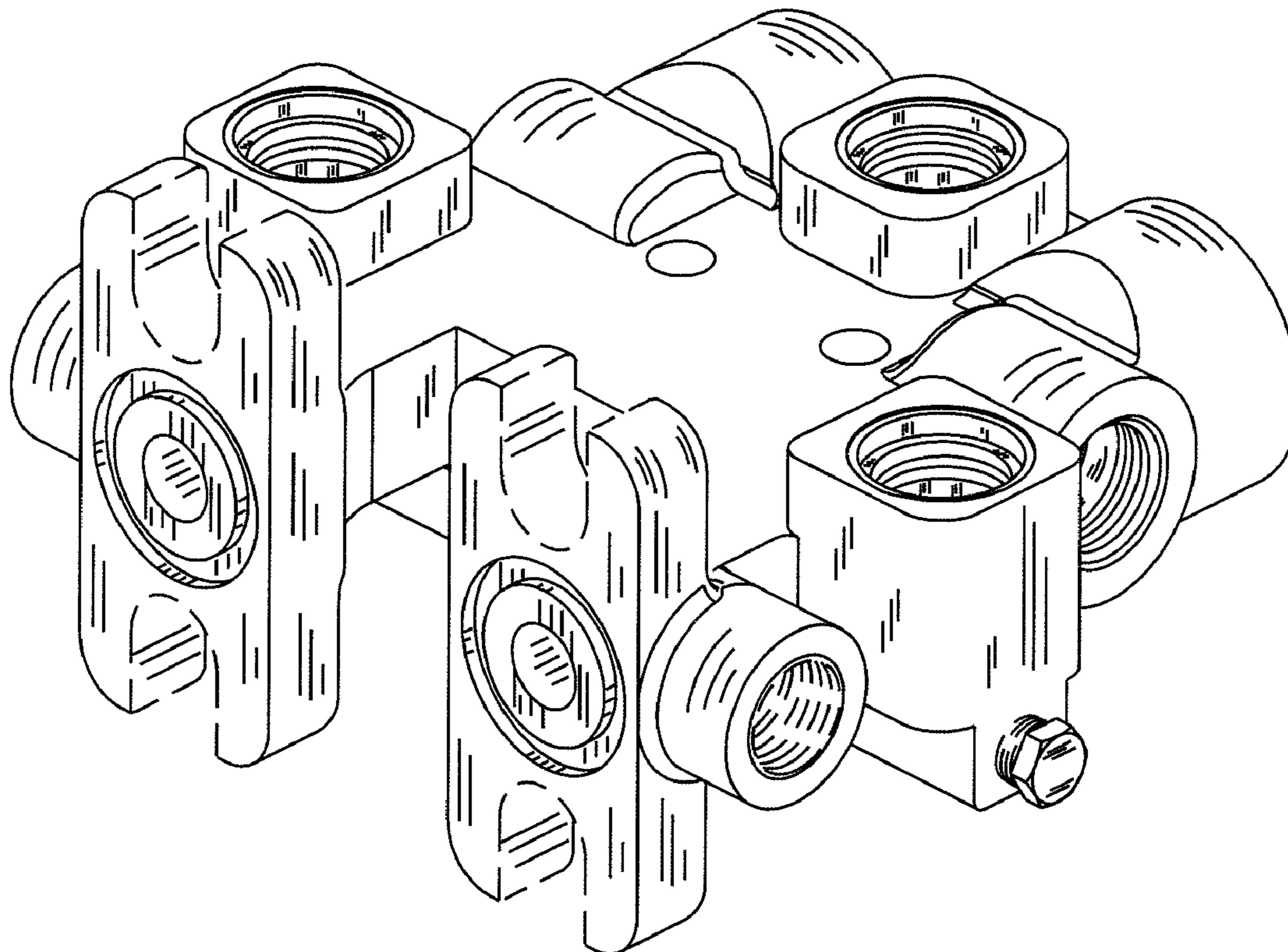
The broken lines shown in the figures are included for the purpose of illustrating environment and form no part of the claimed design.

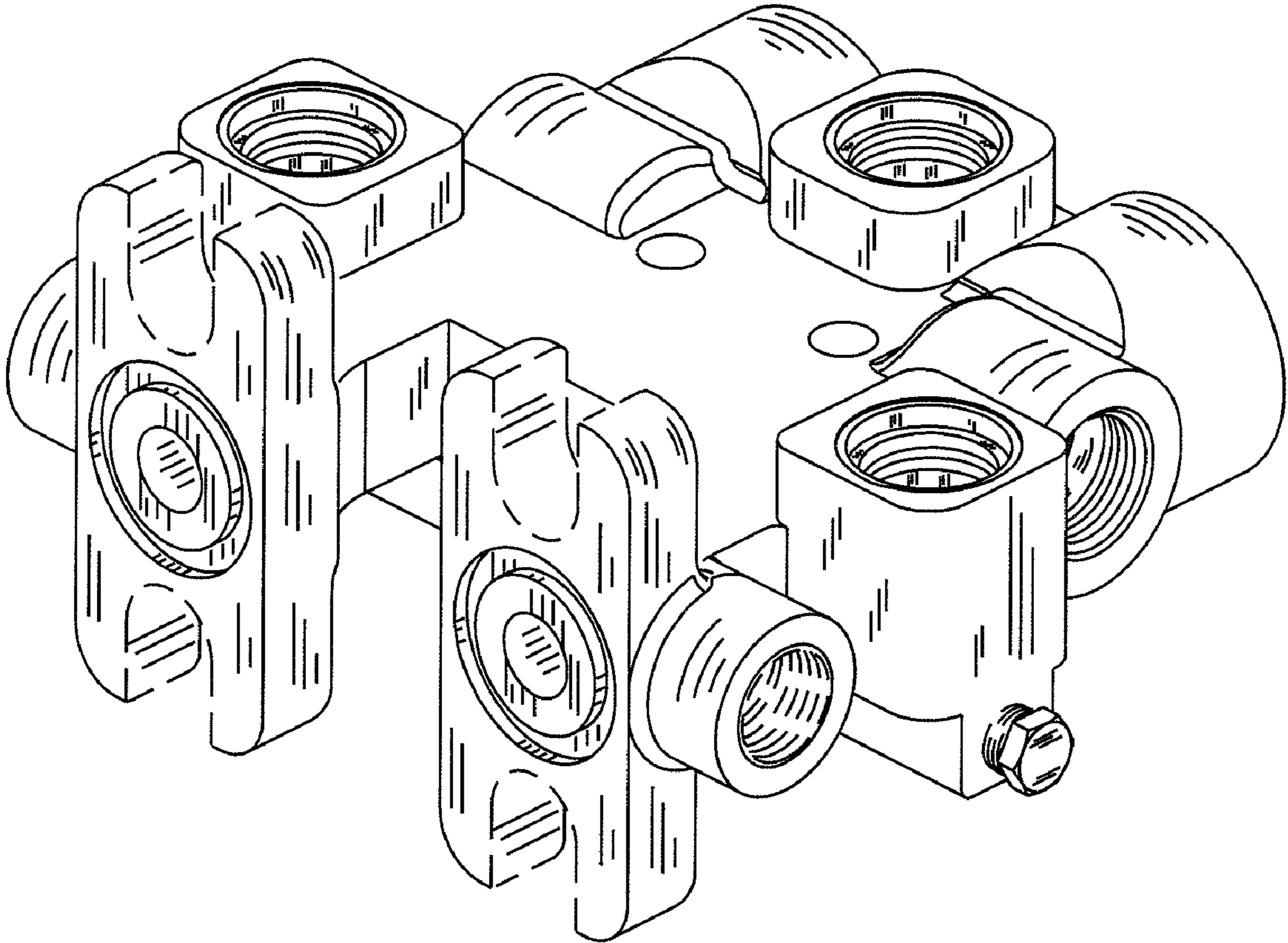
(56) **References Cited**

**U.S. PATENT DOCUMENTS**

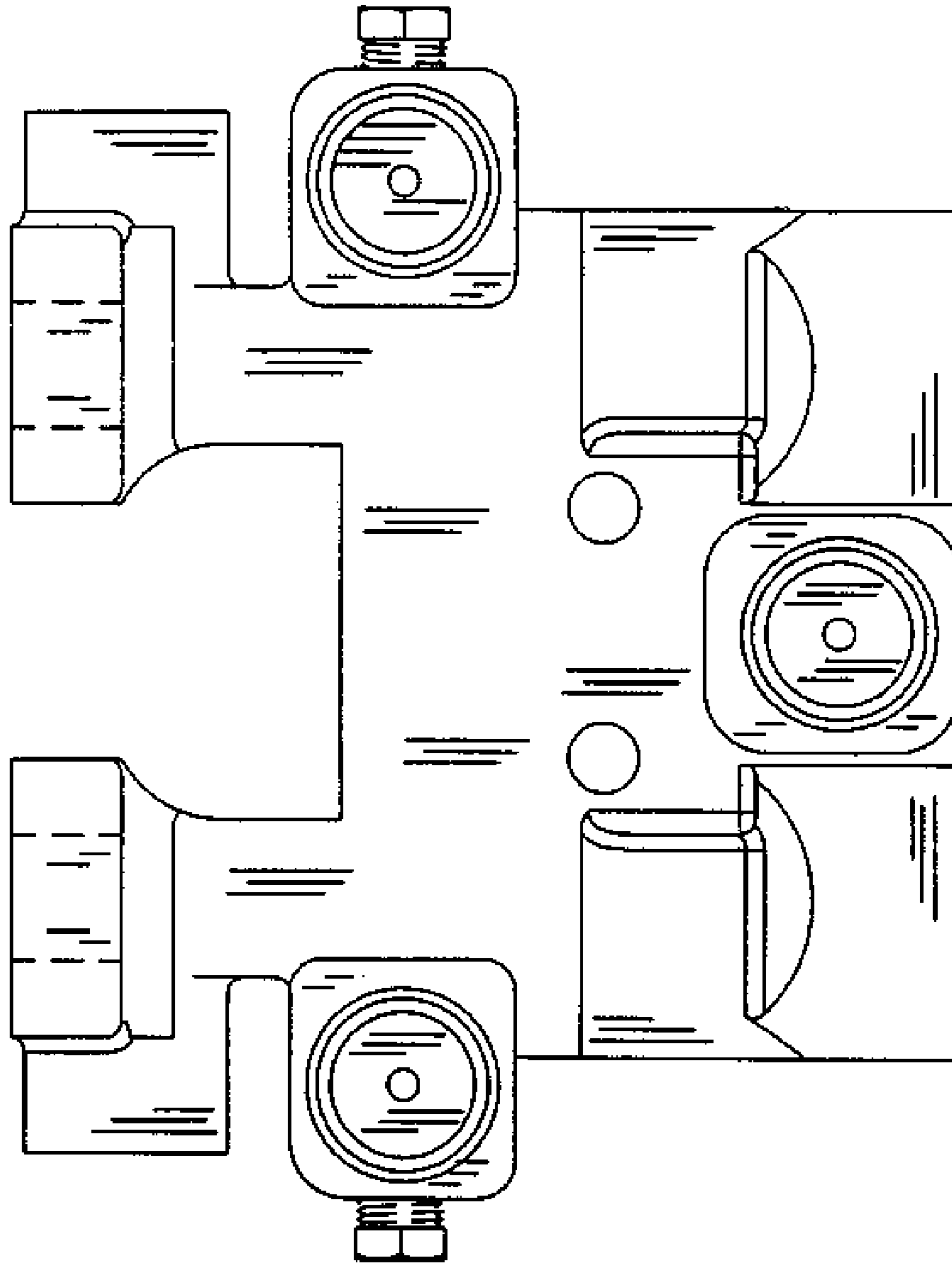
D398,375 S *	9/1998	Lynch et al. ....	D23/245
D406,320 S *	3/1999	Lynch et al. ....	D23/245
D519,189 S *	4/2006	Nimberger .....	D23/233
D520,110 S *	5/2006	Nimberger .....	D23/233
D520,520 S *	5/2006	Nimberger .....	D15/5
D520,598 S *	5/2006	Nimberger .....	D23/233

**1 Claim, 6 Drawing Sheets**

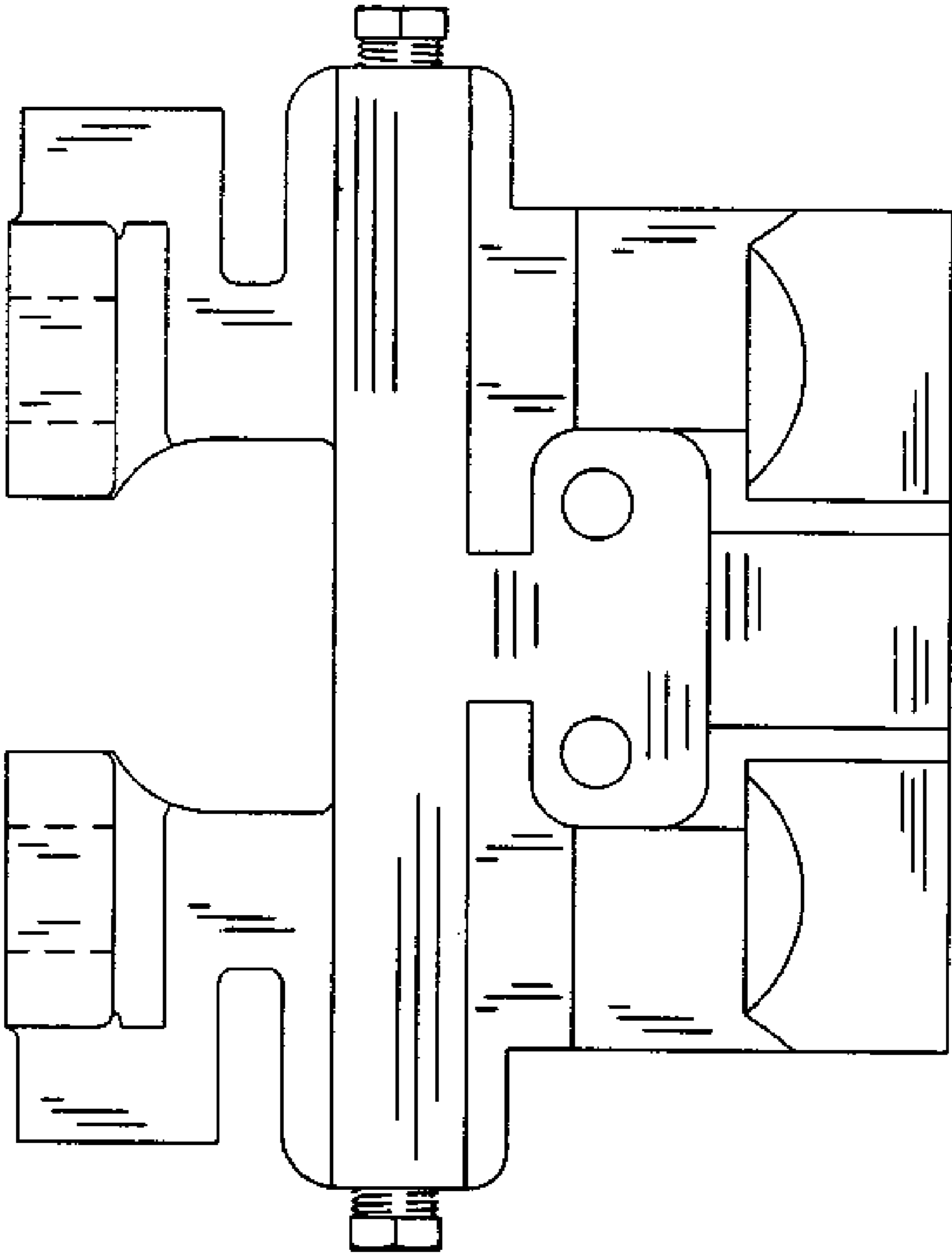




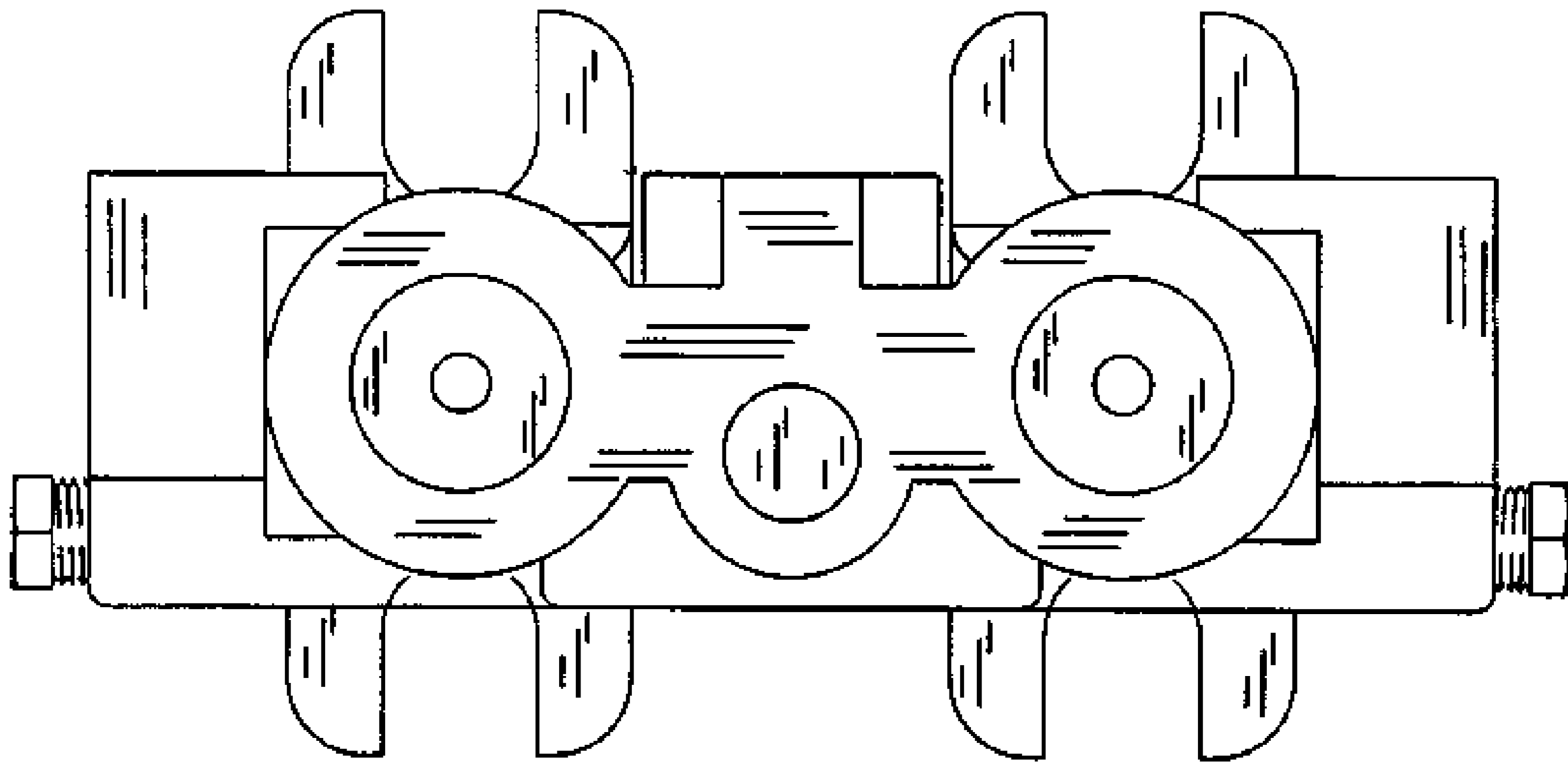
**FIG. 1**



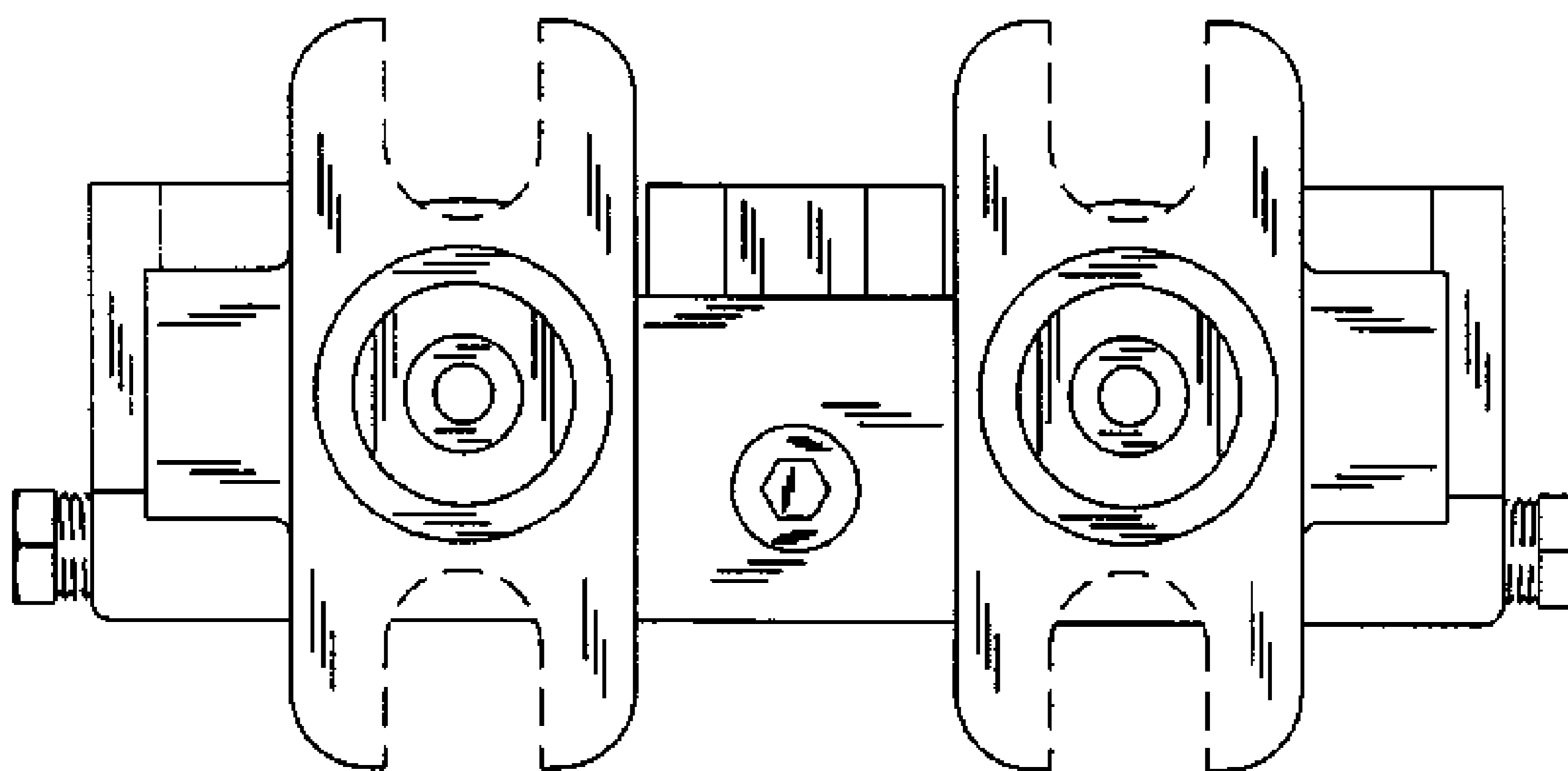
**FIG. 2**



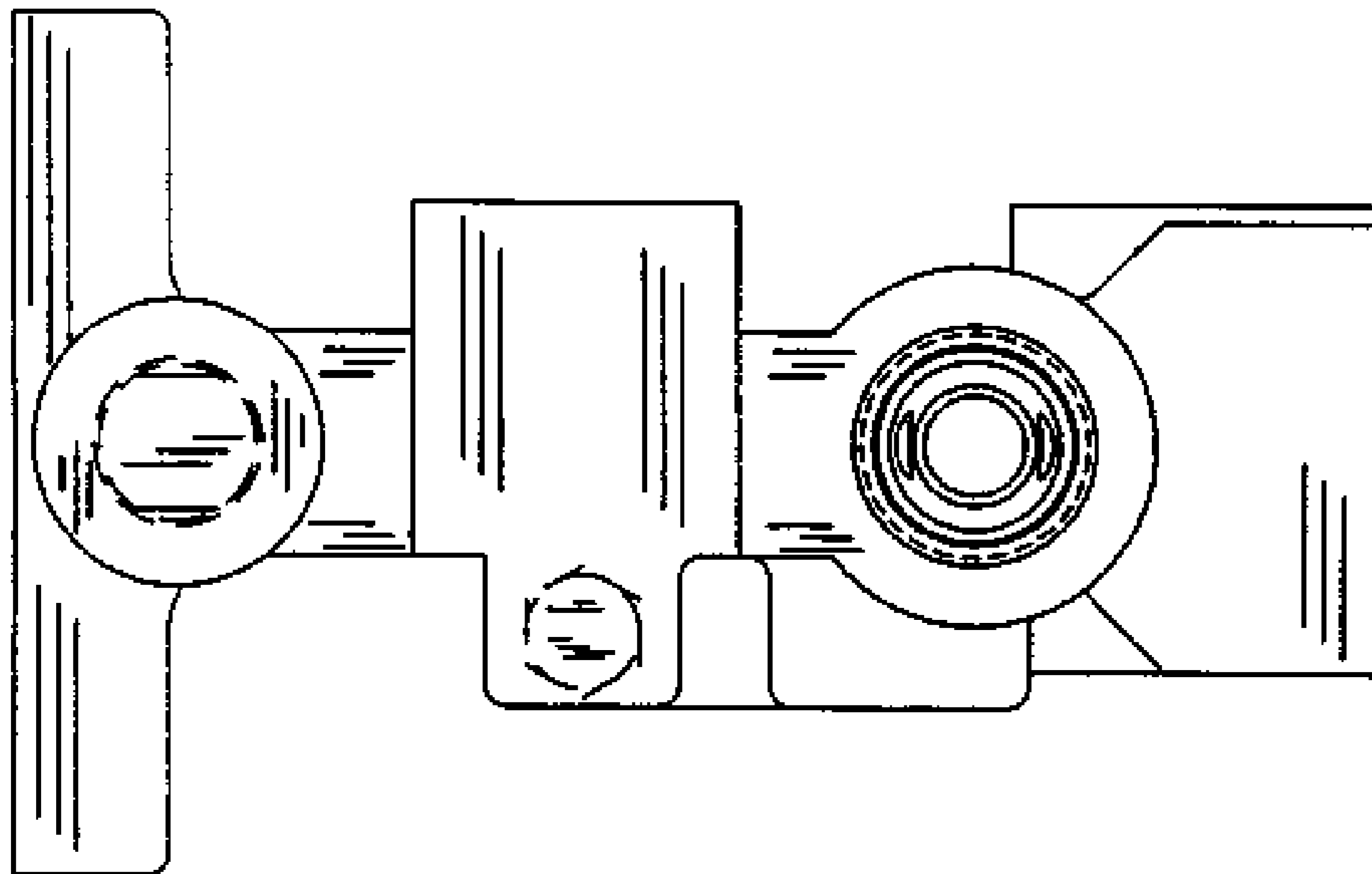
**FIG. 3**



**FIG. 4**



**FIG. 5**



**FIG. 6**