

US00D594029S

(12) **United States Design Patent**
Gofman et al.

(10) **Patent No.:** **US D594,029 S**
(45) **Date of Patent:** **** Jun. 9, 2009**

(54) **PORTABLE AUDIO PLAYER**
(75) Inventors: **Daniel Lionel Gofman**, Hollywood, FL
(US); **Gary Gofman**, Hollywood, FL
(US)
(73) Assignee: **Augen Electronics Corp.**, Hollywood,
FL (US)
(**) Term: **14 Years**
(21) Appl. No.: **29/298,704**
(22) Filed: **Dec. 11, 2007**

D542,306 S 5/2007 Andre et al.
D542,808 S 5/2007 Andre et al.
D547,331 S 7/2007 Jung et al.
D548,744 S 8/2007 Andre et al.
D548,745 S 8/2007 Andre et al.
D548,746 S 8/2007 Andre et al.
D548,747 S 8/2007 Andre et al.
D549,237 S 8/2007 Andre et al.
D553,640 S 10/2007 Kimura et al.
7,280,802 B2 * 10/2007 Grady 455/42
7,281,214 B2 10/2007 Fadell
D557,243 S 12/2007 Kim et al.
D560,686 S * 1/2008 Kim D14/496
D562,346 S 2/2008 Lee

(51) **LOC (9) Cl.** **14-03**
(52) **U.S. Cl.** **D14/496**
(58) **Field of Classification Search** D14/496,
D14/401, 435, 474, 483, 217, 137, 138, 160,
D14/168; 345/156, 169, 173-179, 905; 715/727-729,
715/864; 710/1, 5, 8; 713/1, 600; 455/11,
455/1.7, 73, 344-347, 93, 95; 370/342-344;
369/1, 2, 6, 12; 463/43-47; 273/148 B
See application file for complete search history.

(56) **References Cited**
U.S. PATENT DOCUMENTS

6,591,085 B1 7/2003 Grady
6,593,914 B1 7/2003 Nuovo et al.
D505,130 S 5/2005 Yuyama
6,977,675 B2 12/2005 Kotzin
D533,566 S * 12/2006 Lee D14/496
D533,876 S 12/2006 Kim
D535,638 S * 1/2007 Tanaka et al. D14/156
D538,820 S 3/2007 Andre et al.
D539,816 S 4/2007 Aoki et al.
D541,297 S 4/2007 Andre et al.
D541,298 S 4/2007 Andre et al.
D541,299 S 4/2007 Andre et al.

* cited by examiner

Primary Examiner—Prabhakar Deshmukh
(74) *Attorney, Agent, or Firm*—Christopher & Weisberg, P.A.

(57) **CLAIM**

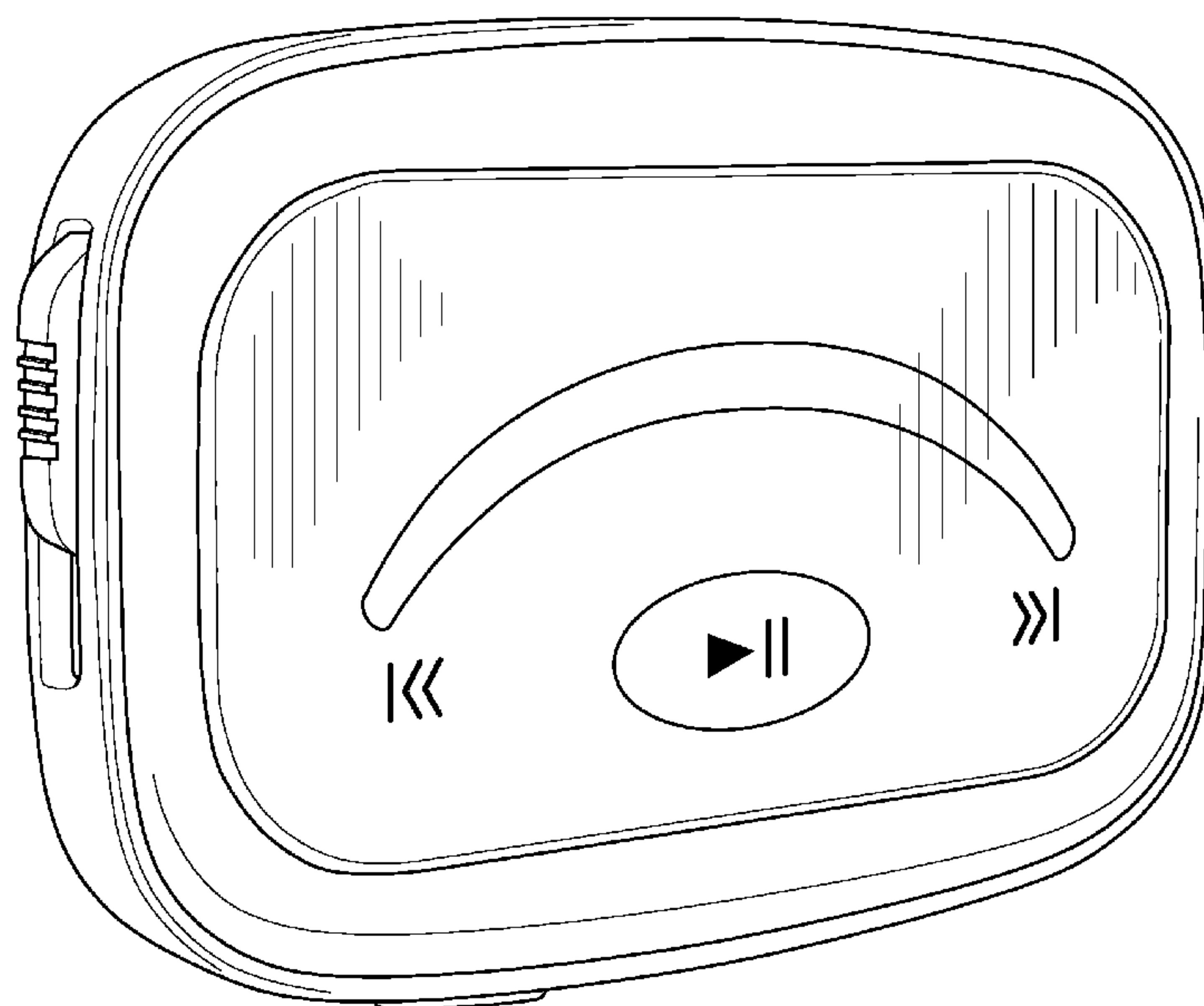
The ornamental design for a portable audio player, as shown and described.

DESCRIPTION

FIG. 1 is front perspective view of a portable audio player in accordance with the present invention;
FIG. 2 is a top view thereof;
FIG. 3 is a bottom view thereof;
FIG. 4 is a left side view thereof;
FIG. 5 is a right side view thereof;
FIG. 6 is a front view thereof; and,
FIG. 7 is a rear view thereof.

The portions of the design shown in broken lines form no part of the claimed design.

1 Claim, 5 Drawing Sheets



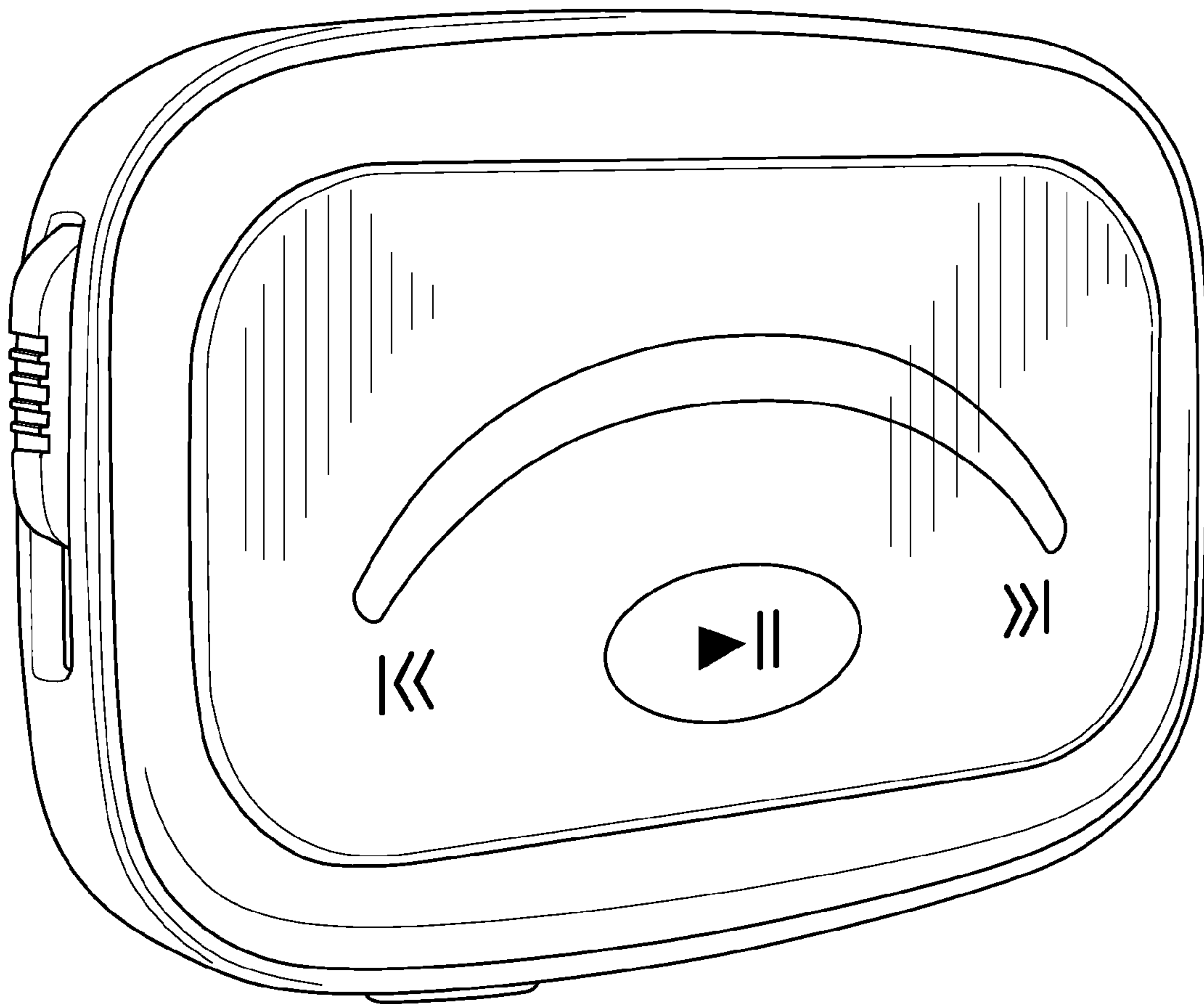


FIG. 1

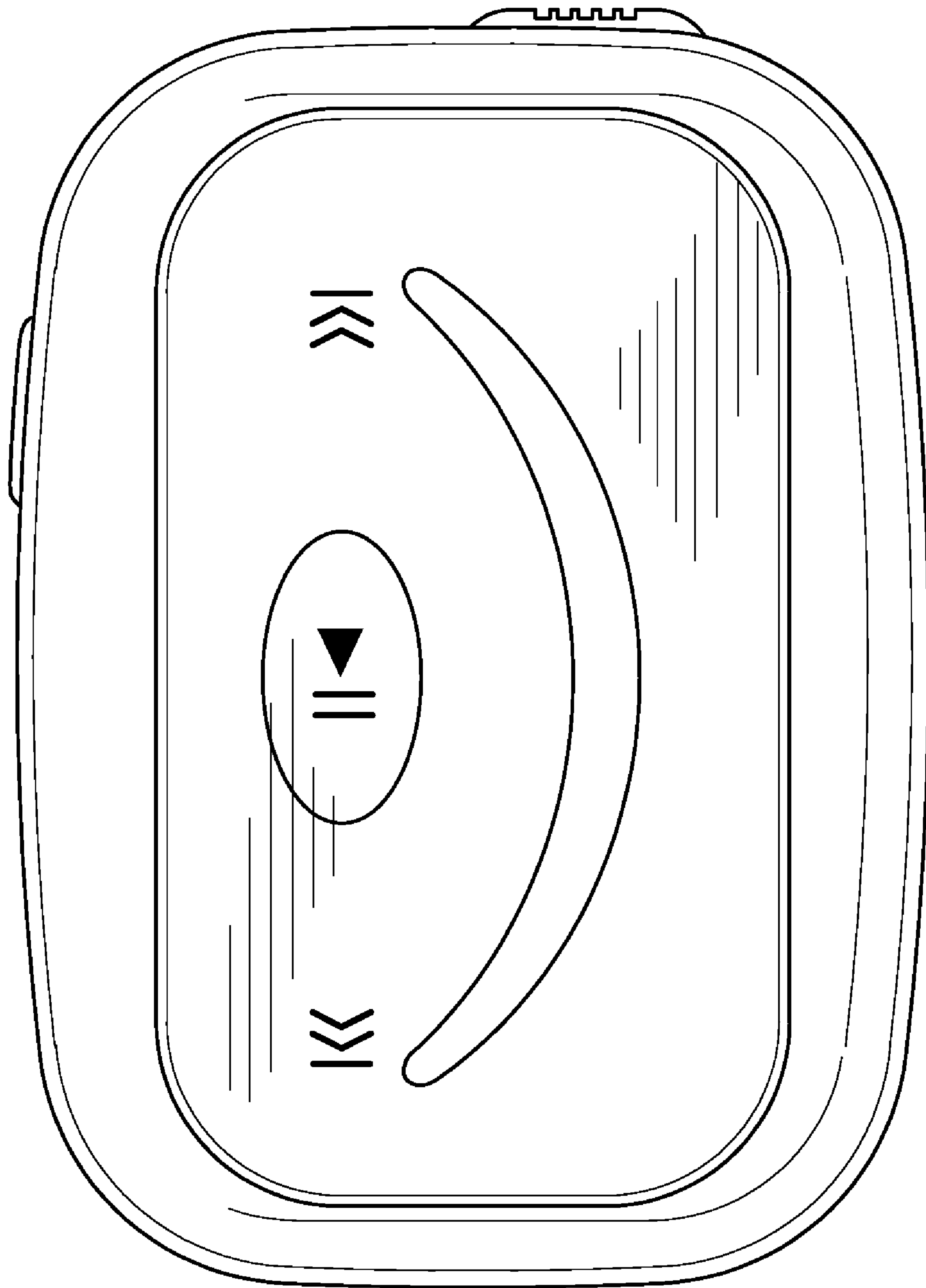


FIG. 2

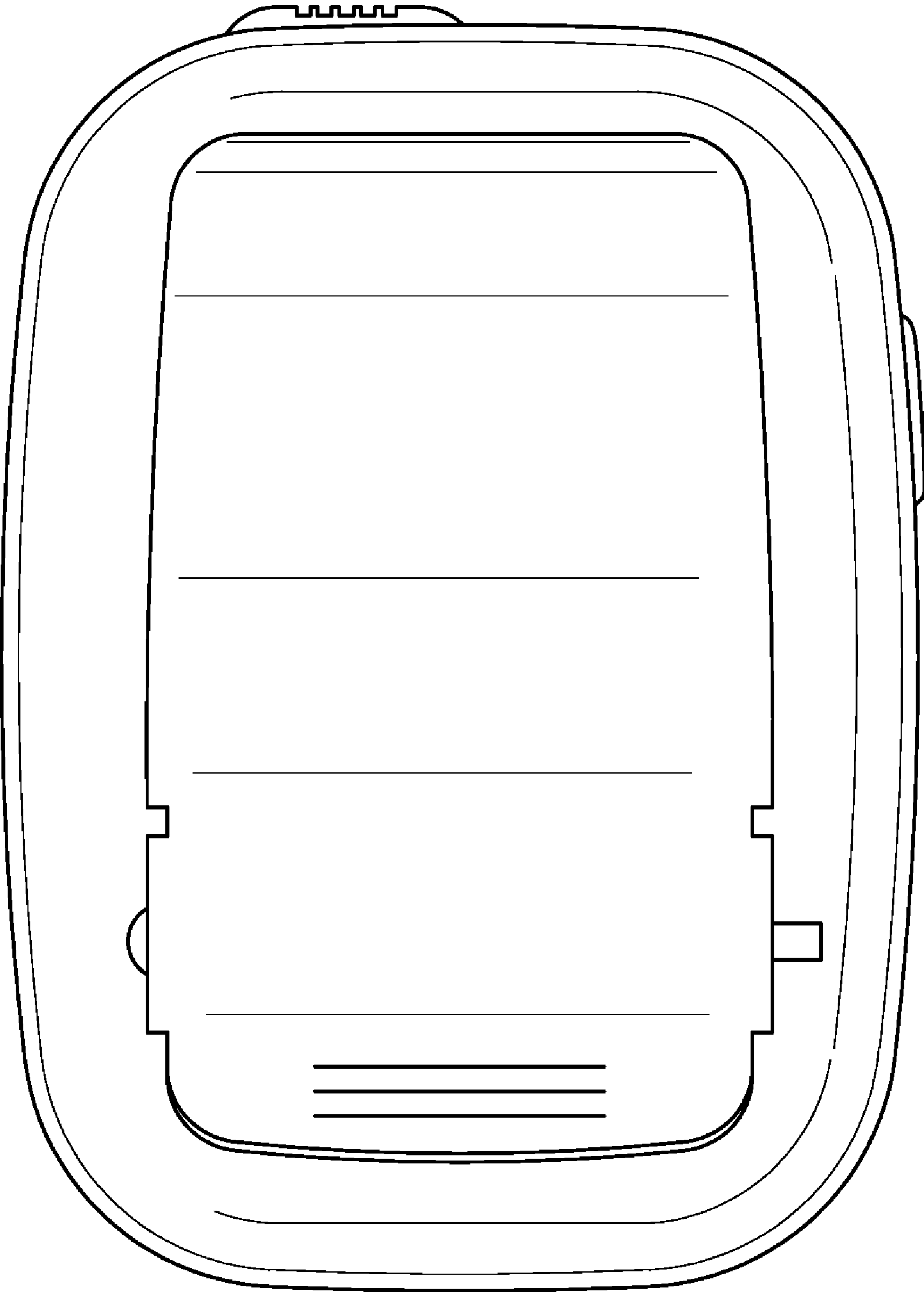


FIG. 3

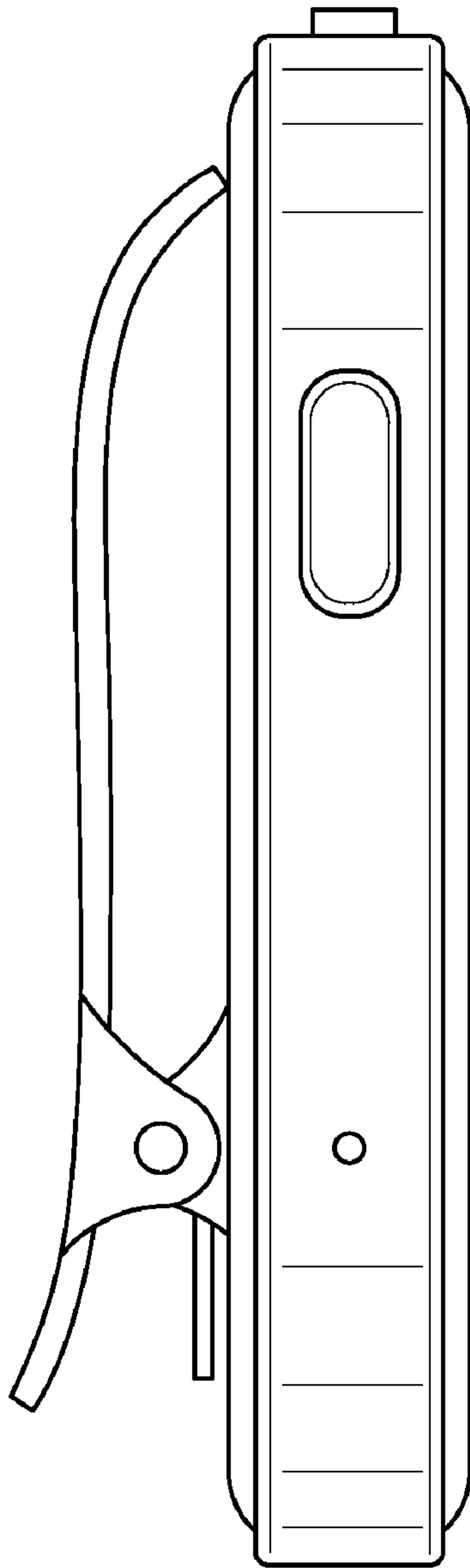


FIG. 4

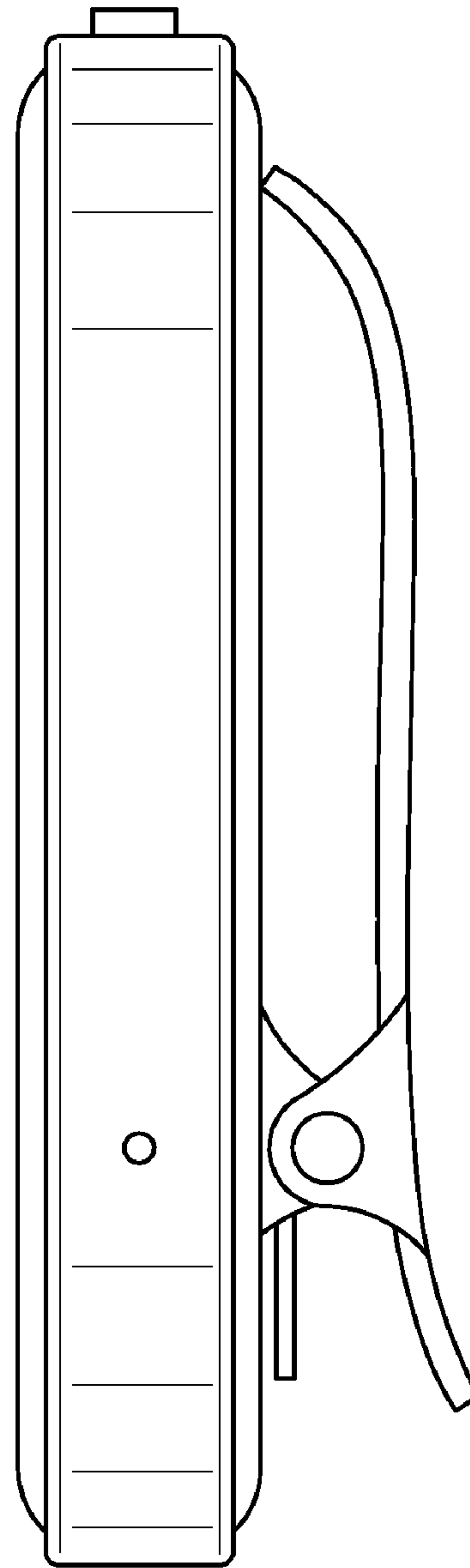


FIG. 5

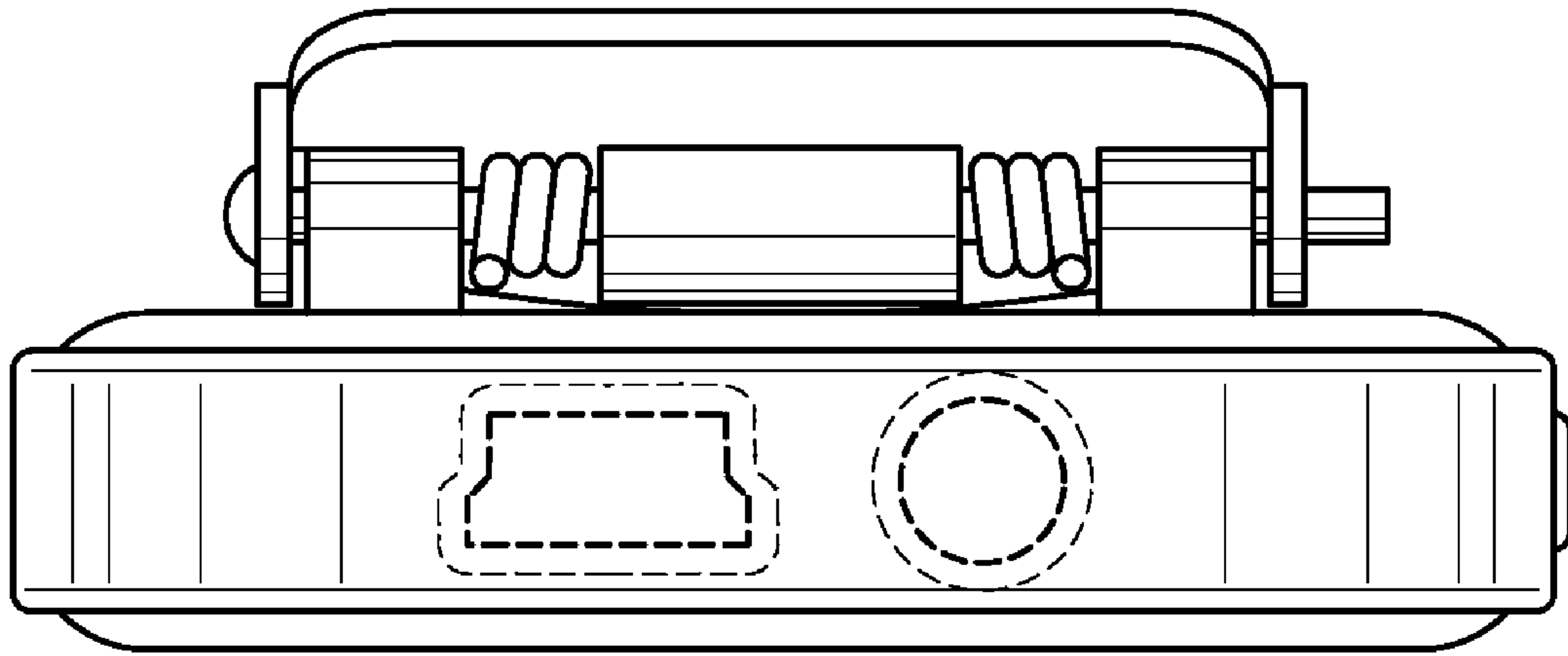


FIG. 6

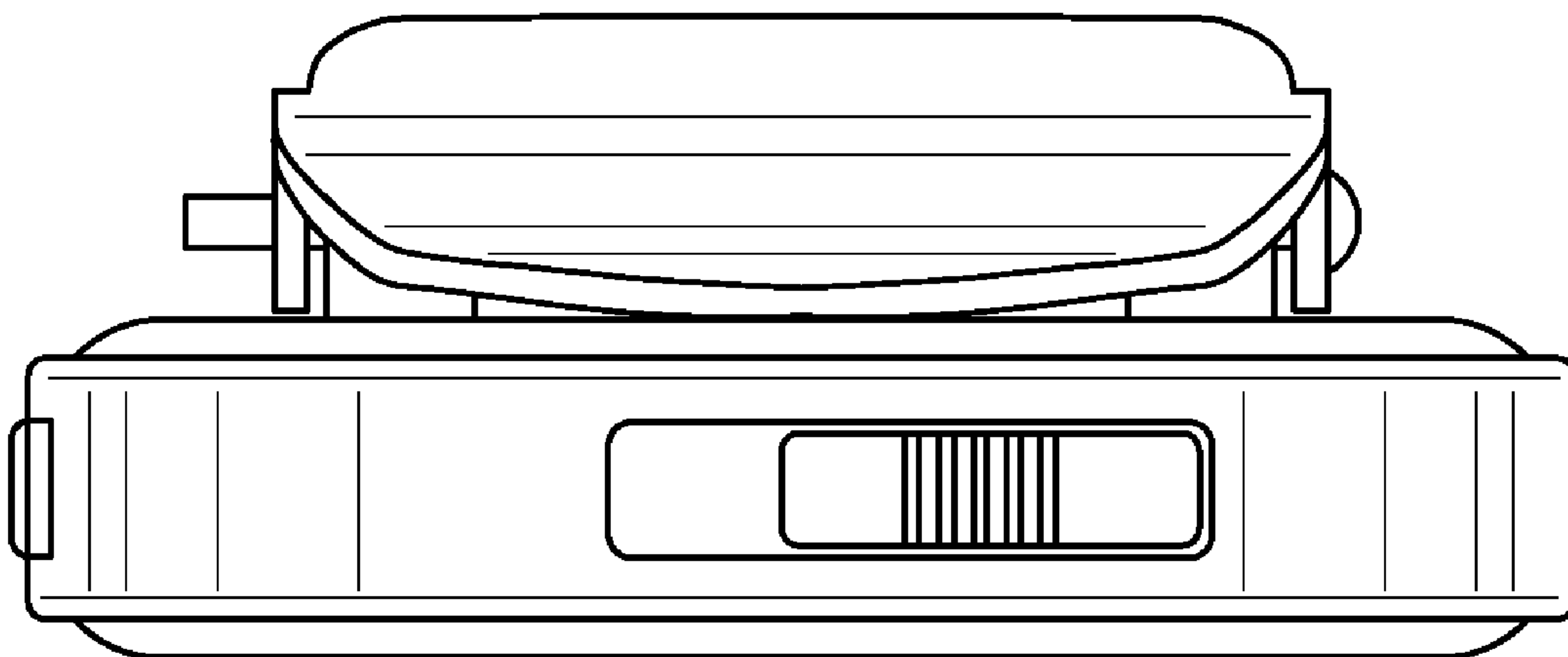


FIG. 7