

US00D594025S

(12) **United States Design Patent**
Ball et al.

(10) **Patent No.:** **US D594,025 S**
(45) **Date of Patent:** **** Jun. 9, 2009**

- (54) **TRANSITIONAL IMAGE FOR A DISPLAY SCREEN**
- (75) Inventors: **Vincent Ball**, Kirkland, WA (US); **Mark J. McNutty**, Renton, WA (US); **Joshua Baber**, Seattle, WA (US)
- (73) Assignee: **Microsoft Corporation**, Redmond, WA (US)
- (**) Term: **14 Years**
- (21) Appl. No.: **29/323,724**
- (22) Filed: **Aug. 29, 2008**
- (51) **LOC (9) Cl.** **14-04**
- (52) **U.S. Cl.** **D14/488**
- (58) **Field of Classification Search** D14/485–95;
D18/24–33; D19/6, 52; D20/11; D21/324–33;
715/700–867, 973–77
See application file for complete search history.

(56) **References Cited**

U.S. PATENT DOCUMENTS

- D459,361 S * 6/2002 Inagaki D14/486
- D470,857 S * 2/2003 Anderson et al. D14/485
- D475,062 S * 5/2003 Horie D14/486
- D476,171 S * 6/2003 Hirano D14/486
- D479,720 S * 9/2003 Ohashi et al. D14/486
- D506,474 S * 6/2005 Gildred D14/486
- D540,340 S * 4/2007 Cummins et al. D14/486
- D543,552 S * 5/2007 Hally et al. D14/486
- D544,877 S * 6/2007 Sasser D14/486
- D545,834 S * 7/2007 Anthony et al. D14/488
- D552,620 S * 10/2007 Sato et al. D14/486
- D554,652 S * 11/2007 Shen et al. D14/485
- D555,663 S * 11/2007 Nagata et al. D14/488

- D558,211 S * 12/2007 Dongen et al. D14/485
- D563,986 S * 3/2008 Lettau et al. D14/491
- D569,872 S * 5/2008 Suzuki D14/485
- D570,859 S * 6/2008 Hsiao et al. D14/486
- D571,821 S * 6/2008 Amacker D14/488
- D573,605 S * 7/2008 Amacker D14/488
- D574,389 S * 8/2008 Armendariz et al. D14/486
- D576,634 S * 9/2008 Clark et al. D14/485
- D580,450 S * 11/2008 Chen et al. D14/486
- D580,942 S * 11/2008 Oshiro et al. D14/485
- D580,946 S * 11/2008 Chen et al. D14/486
- D580,947 S * 11/2008 Onai et al. D14/486
- D582,425 S * 12/2008 Edwards et al. D14/486
- D582,931 S * 12/2008 Blankenship et al. D14/485
- D582,936 S * 12/2008 Scalisi et al. D14/486
- 7,475,354 B2 * 1/2009 Guido et al. 715/742
- 2004/0255254 A1 * 12/2004 Weingart et al. 715/804

* cited by examiner

Primary Examiner—Melanie H Tung
(74) *Attorney, Agent, or Firm*—Banner & Witcoff, Ltd.

(57) **CLAIM**

The ornamental design for a transitional image for a display screen, as shown and described.

DESCRIPTION

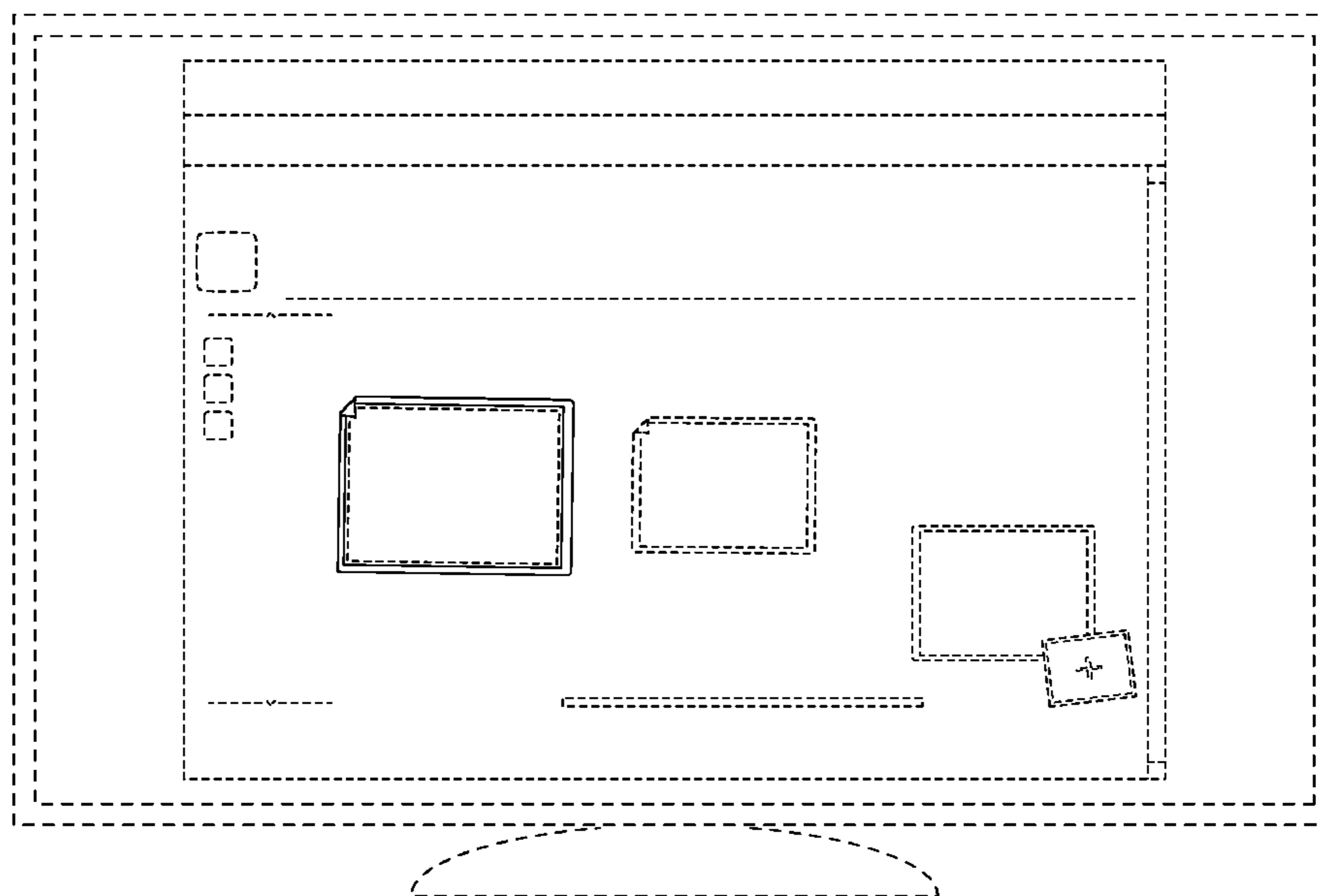
FIG. 1 is a front view of the first image of a transitional image for a display screen showing our new design;

FIG. 2 is a front view of the second image thereof; and,

FIG. 3 is a front view of the third image thereof.

The broken line showing of portions of the image and of the display screen is for illustrative purposes only and forms no part of the claimed design.

1 Claim, 3 Drawing Sheets



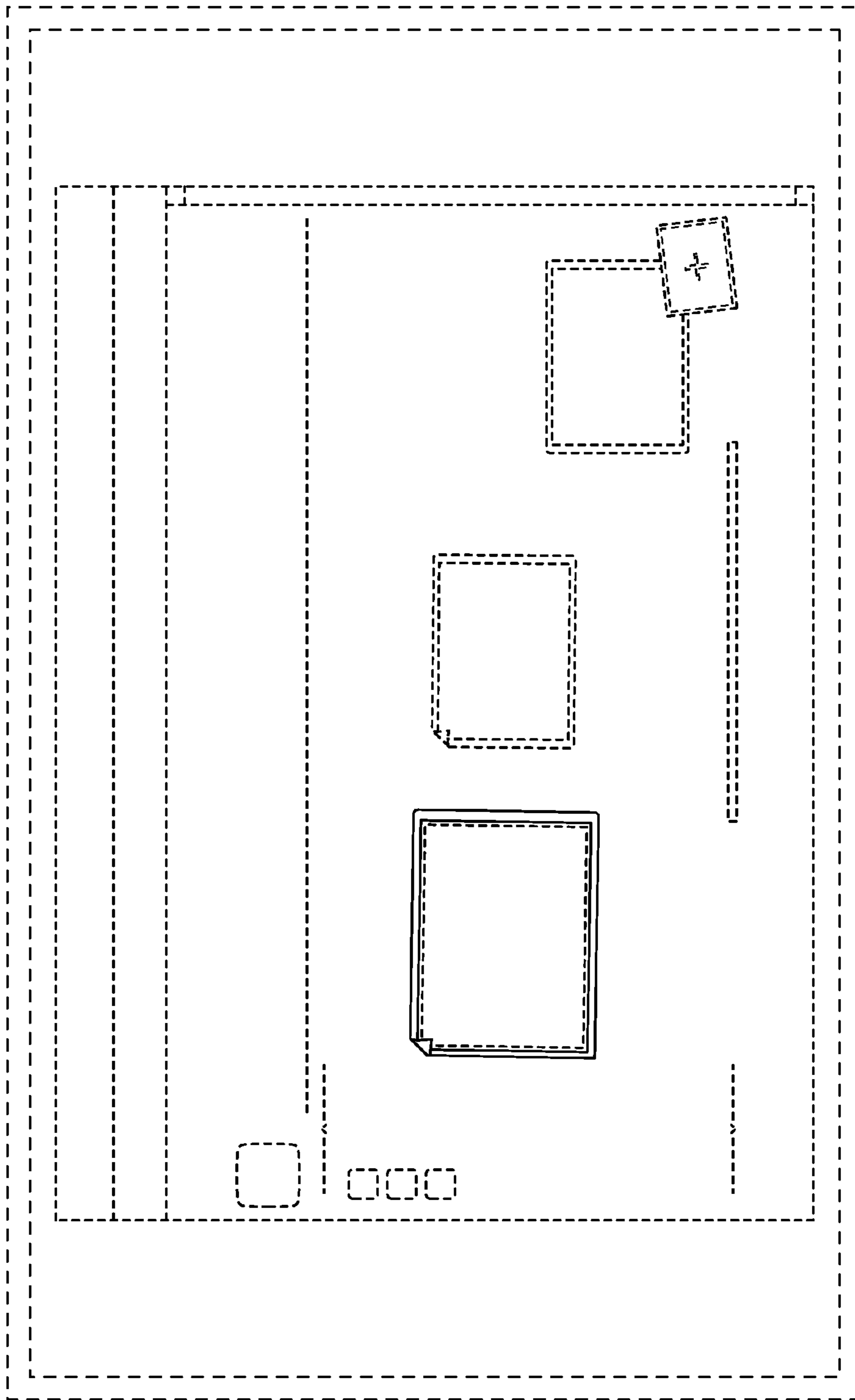


FIG. 1

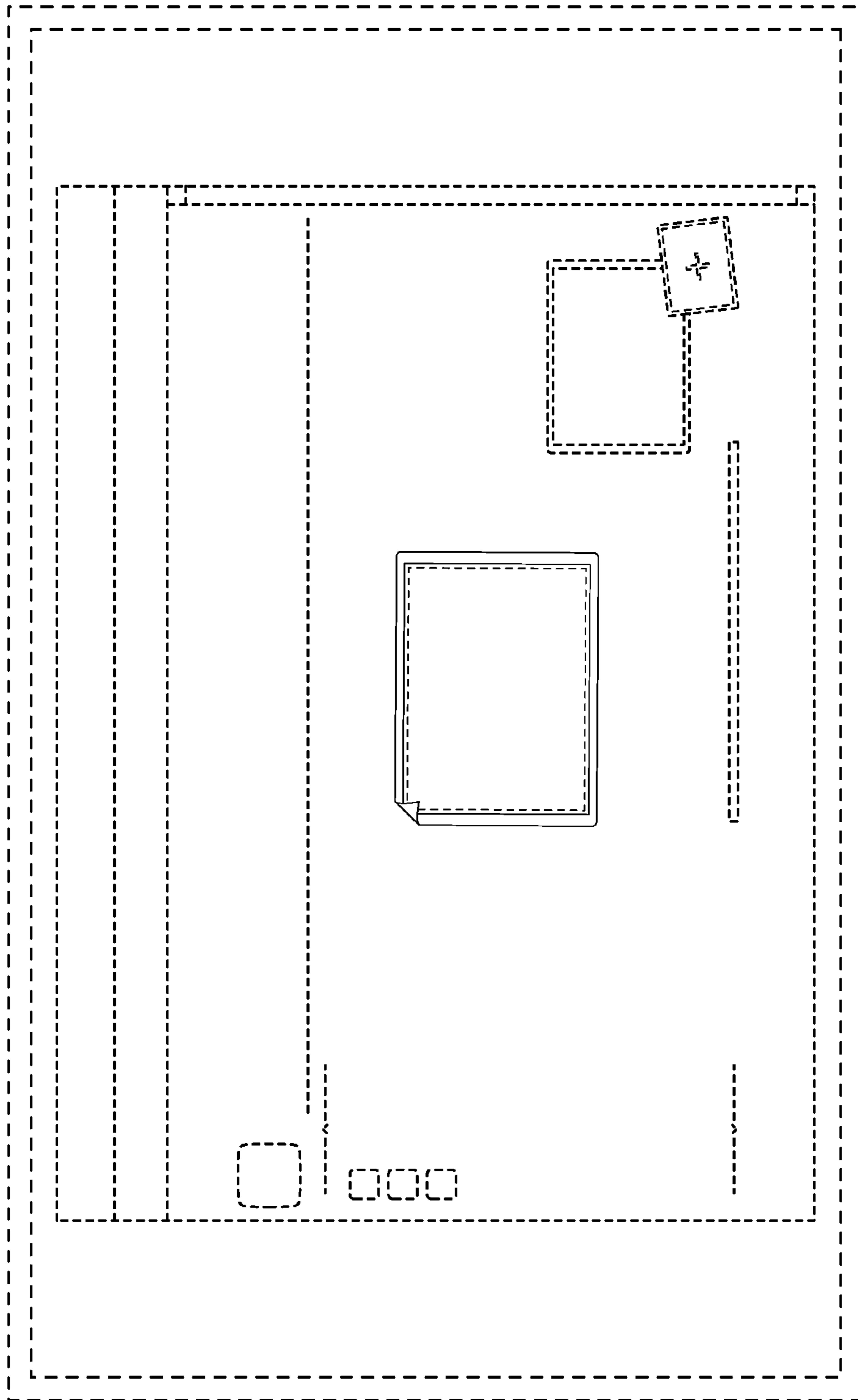


FIG. 2

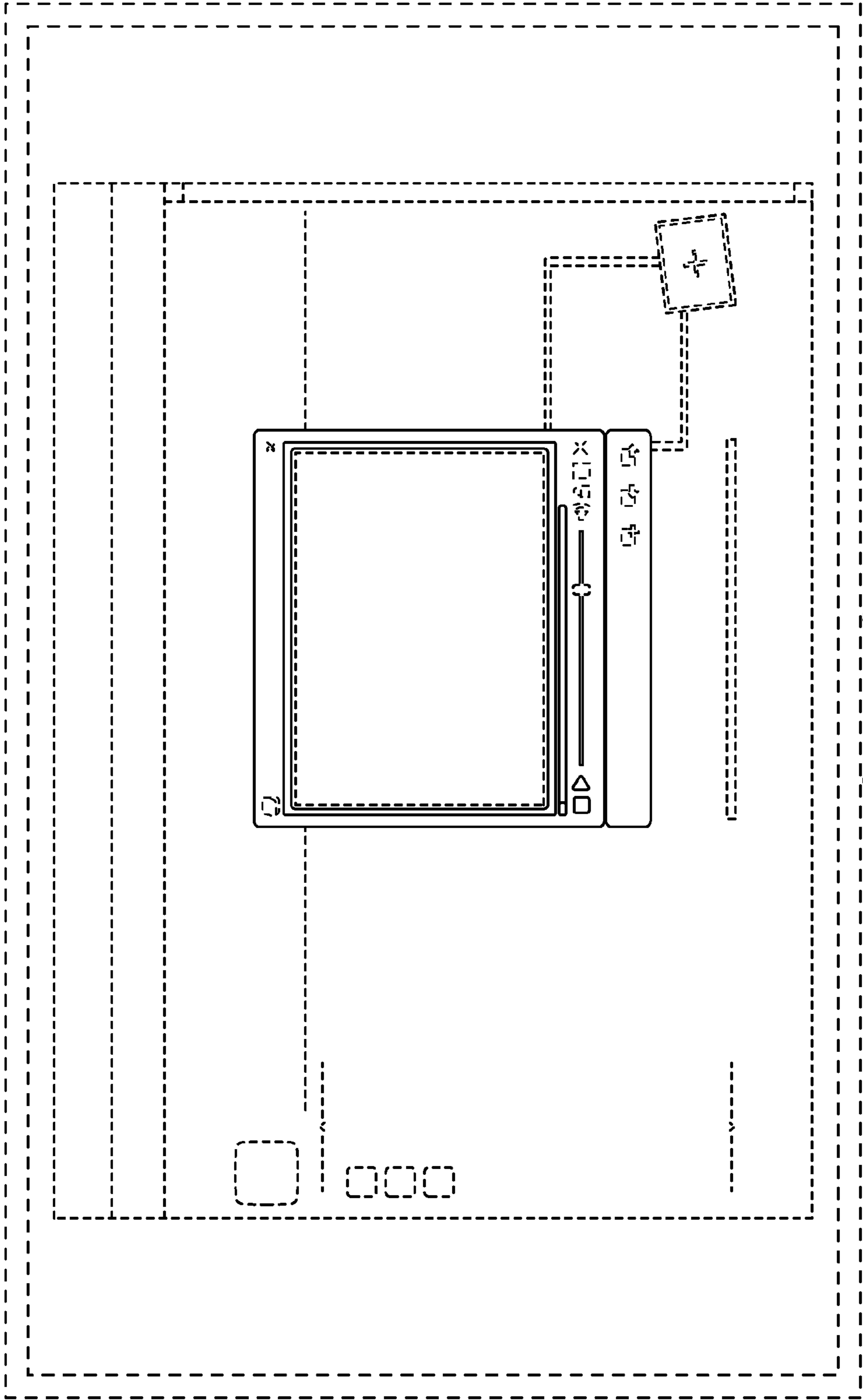


FIG. 3