

US00D594024S

(12) **United States Design Patent**
King

(10) **Patent No.:** **US D594,024 S**
(45) **Date of Patent:** **** Jun. 9, 2009**

(54) **ANIMATED BORDER IMAGE FOR A DISPLAY SCREEN**

(75) Inventor: **Joseph King**, Seattle, WA (US)

(73) Assignee: **Microsoft Corporation**, Redmond, WA (US)

(**) Term: **14 Years**

(21) Appl. No.: **29/320,510**

(22) Filed: **Jun. 27, 2008**

(51) **LOC (9) Cl.** **14-04**

(52) **U.S. Cl.** **D14/488**

(58) **Field of Classification Search** D14/485-95;
D18/24-33; D19/6, 52; D20/11; D21/324-33;
715/700-867, 973-77

See application file for complete search history.

(56) **References Cited**

U.S. PATENT DOCUMENTS

5,388,202	A *	2/1995	Squires et al.	715/800
5,754,809	A *	5/1998	Gandre	715/782
5,912,668	A *	6/1999	Sciammarella et al.	715/788
D460,762	S *	7/2002	Wasko	D14/486
D472,244	S *	3/2003	Wasko	D14/486
6,577,330	B1 *	6/2003	Tsuda et al.	715/782
6,661,467	B1 *	12/2003	Van Der Meer et al.	348/564
D501,211	S *	1/2005	Ligameri et al.	D14/486
6,874,129	B2 *	3/2005	Smith	715/803
D508,494	S *	8/2005	Ligameri	D14/486
6,973,627	B1 *	12/2005	Appling	715/781
D535,659	S *	1/2007	Hally et al.	D14/485
7,170,510	B2 *	1/2007	Kawahara et al.	345/419
D544,492	S *	6/2007	Rimas-Ribikauskas et al.	D14/485
D545,834	S *	7/2007	Anthony et al.	D14/488

D546,343	S *	7/2007	Anthony et al.	D14/488
D568,892	S *	5/2008	Stabb et al.	D14/485
D570,859	S *	6/2008	Hsiao et al.	D14/486
D570,863	S *	6/2008	Chen et al.	D14/486
D576,635	S *	9/2008	Nathan et al.	D14/488
D582,928	S *	12/2008	Blankenship et al.	D14/485
D582,929	S *	12/2008	Blankenship et al.	D14/485
D584,736	S *	1/2009	Ismail	D14/486
7,480,873	B2 *	1/2009	Kawahara	715/848
D585,909	S *	2/2009	Nathan et al.	D14/488

* cited by examiner

Primary Examiner—Melanie H Tung

(74) *Attorney, Agent, or Firm*—Banner & Witcoff, Ltd.

(57) **CLAIM**

The ornamental design for an animated border image for a display screen, as shown and described.

DESCRIPTION

FIG. 1 is a front view of the first image in the sequence for an animated border image for a display screen showing the new design;

FIG. 2 is a front view of a second image thereof;

FIG. 3 is a front view of a third image thereof;

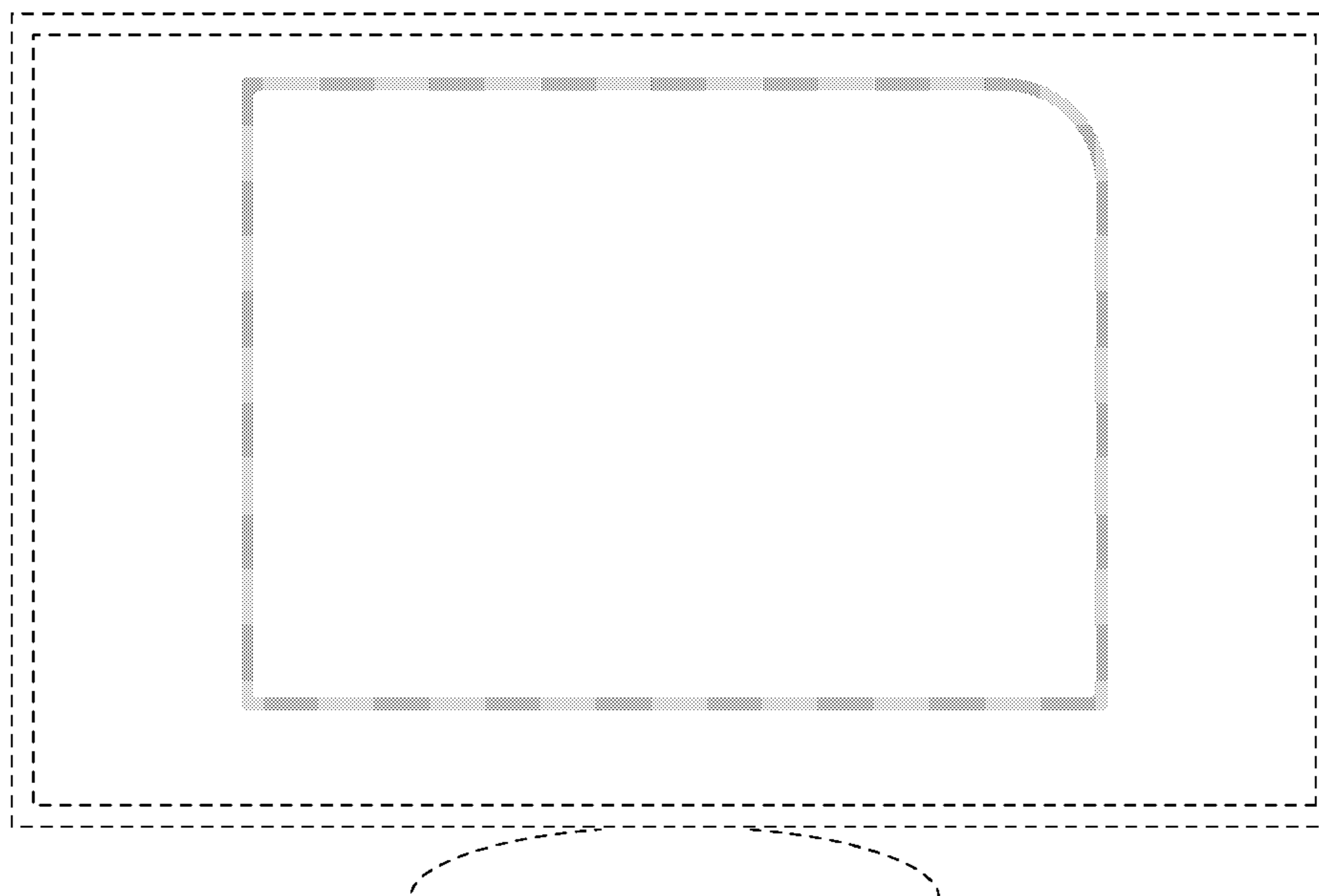
FIG. 4 is a front view of a fourth image thereof;

FIG. 5 is a front view of a fifth image thereof; and,

FIG. 6 is a front view of a sixth image thereof.

The appearance of the image sequentially transitions between the images shown in FIGS. 1-6. The process or period in which one image transitions to another forms no part of the claimed design. The broken line showing of the display screen in FIGS. 1-6 is for illustrative purposes only and forms no part of the claimed design.

1 Claim, 6 Drawing Sheets



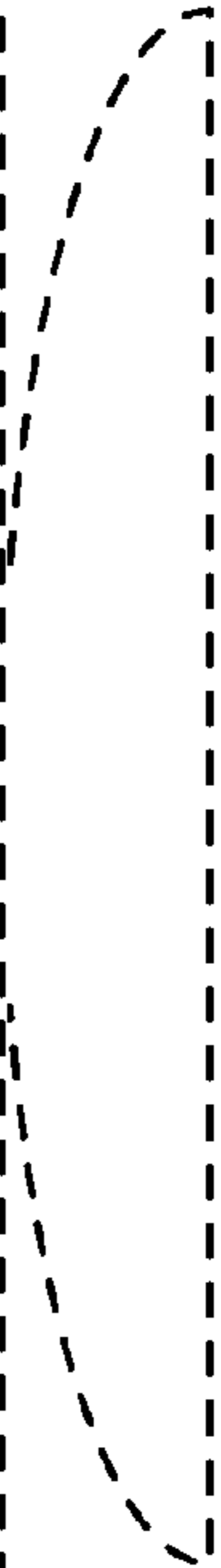
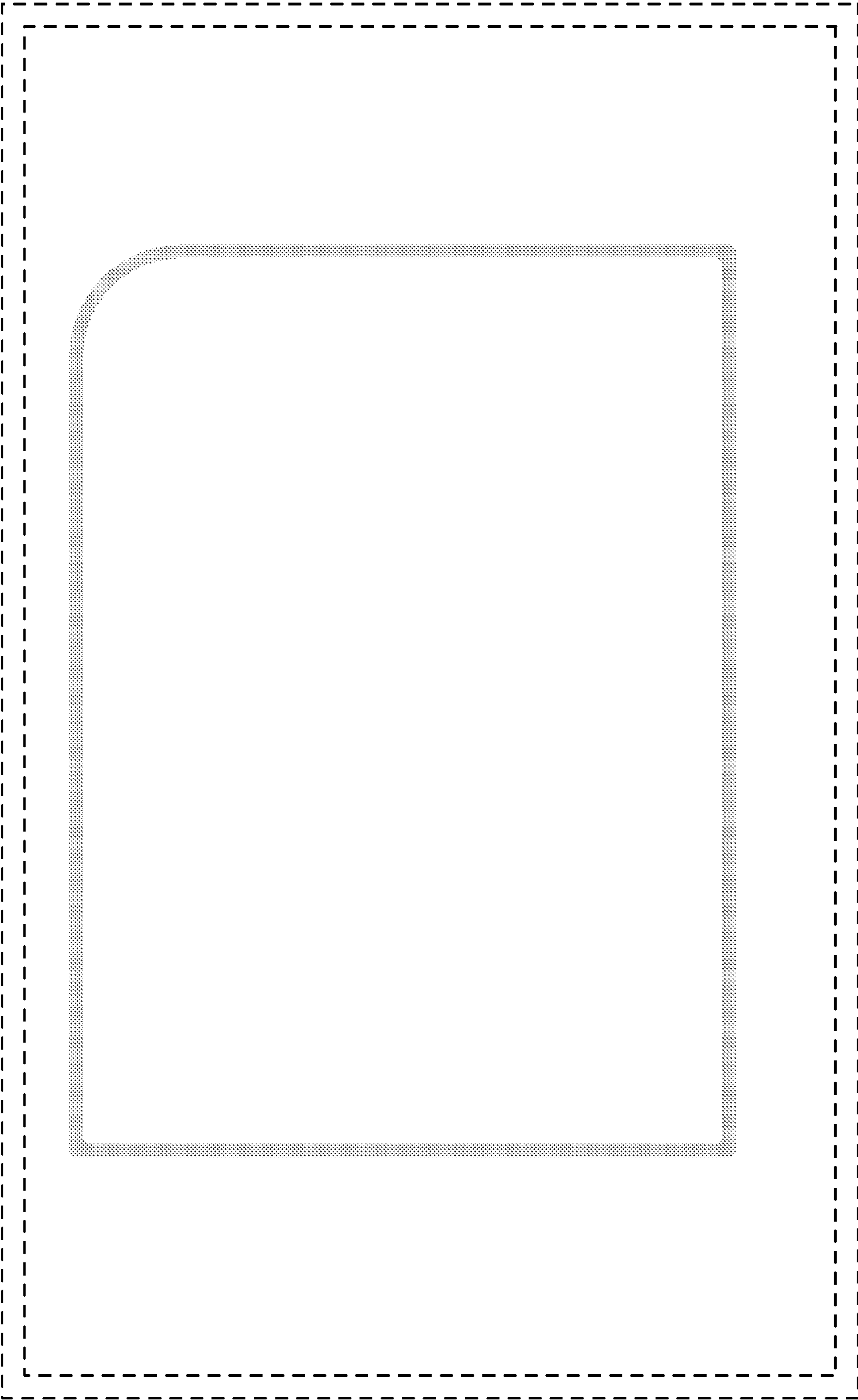


FIG. 1

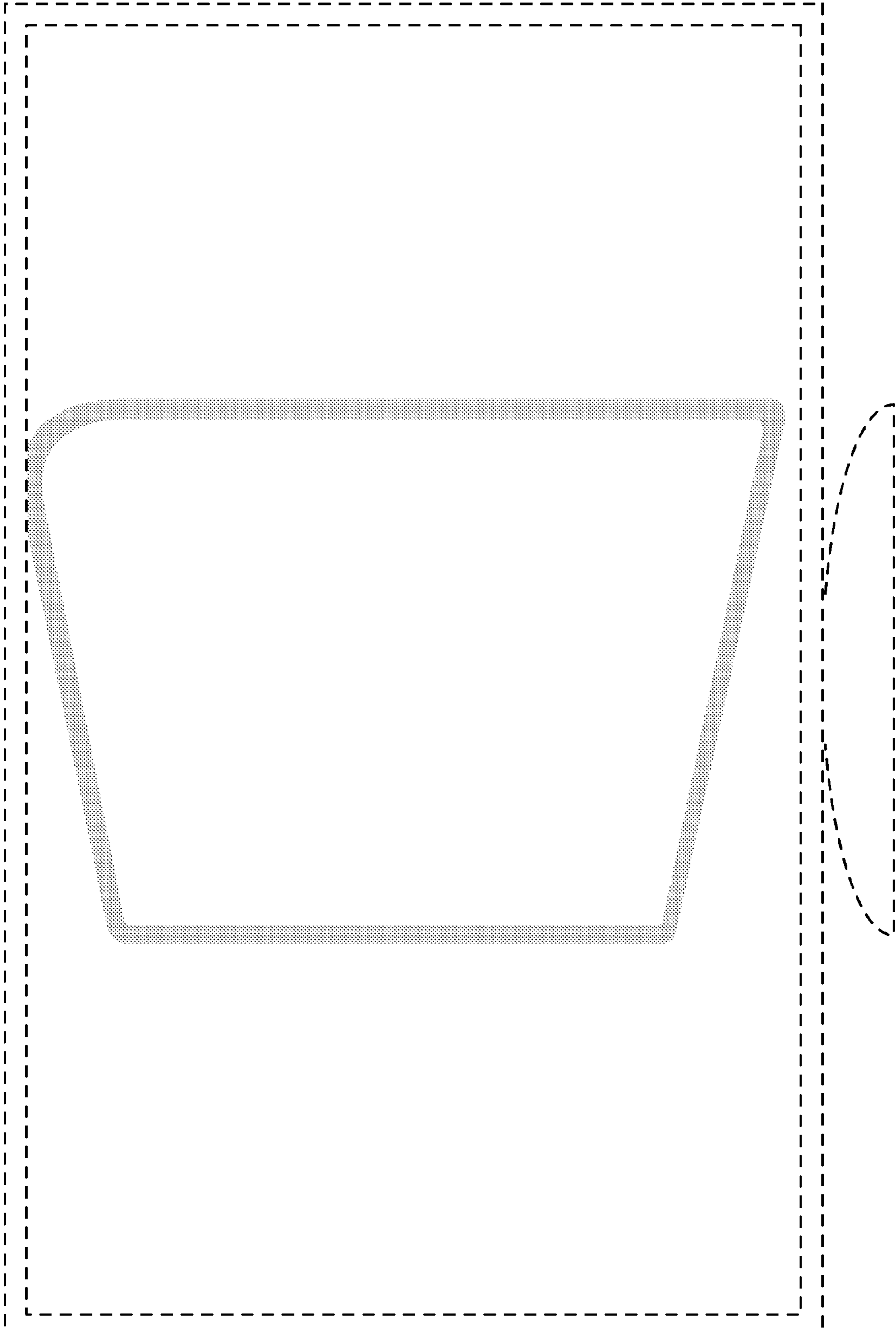
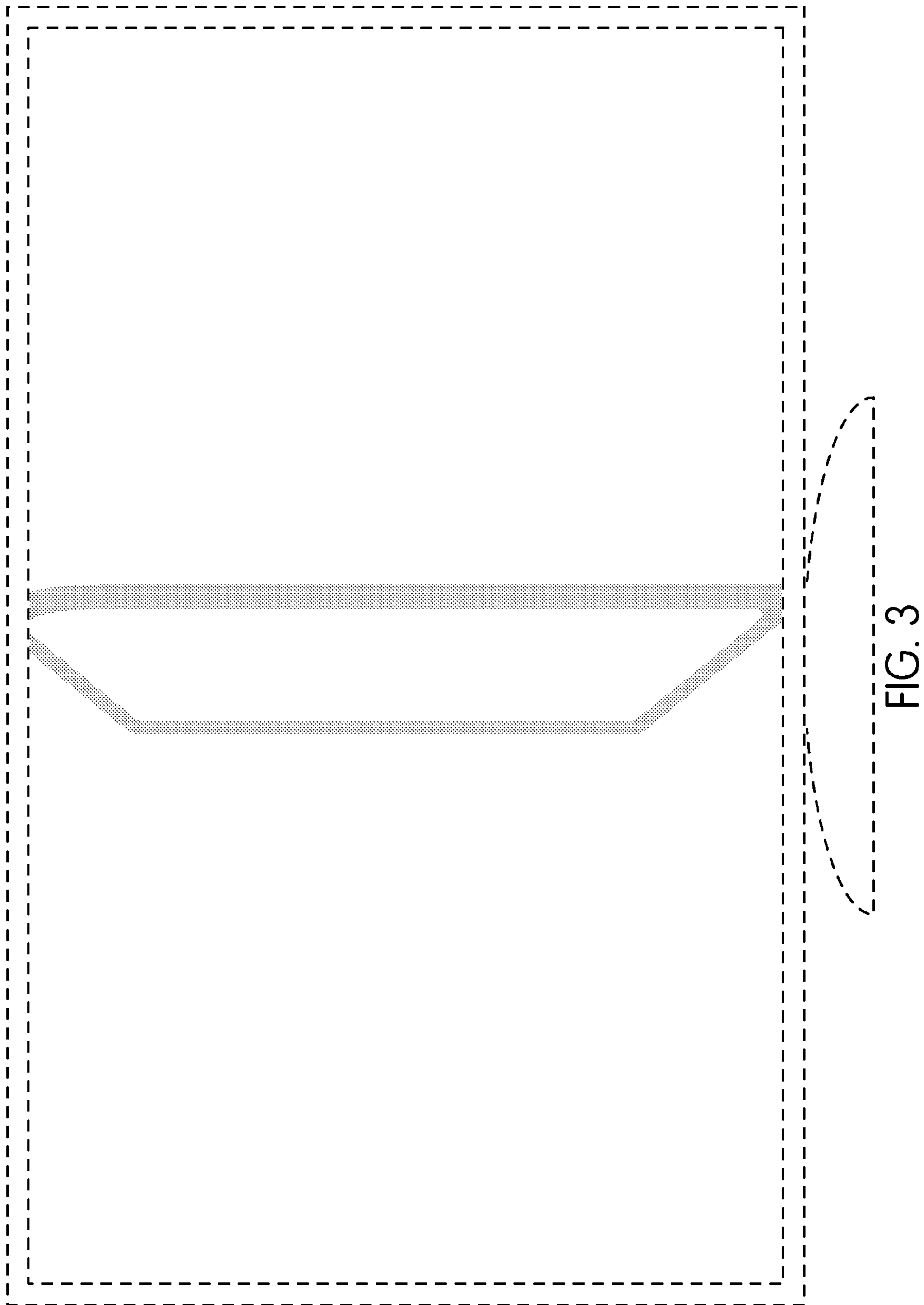


FIG. 2



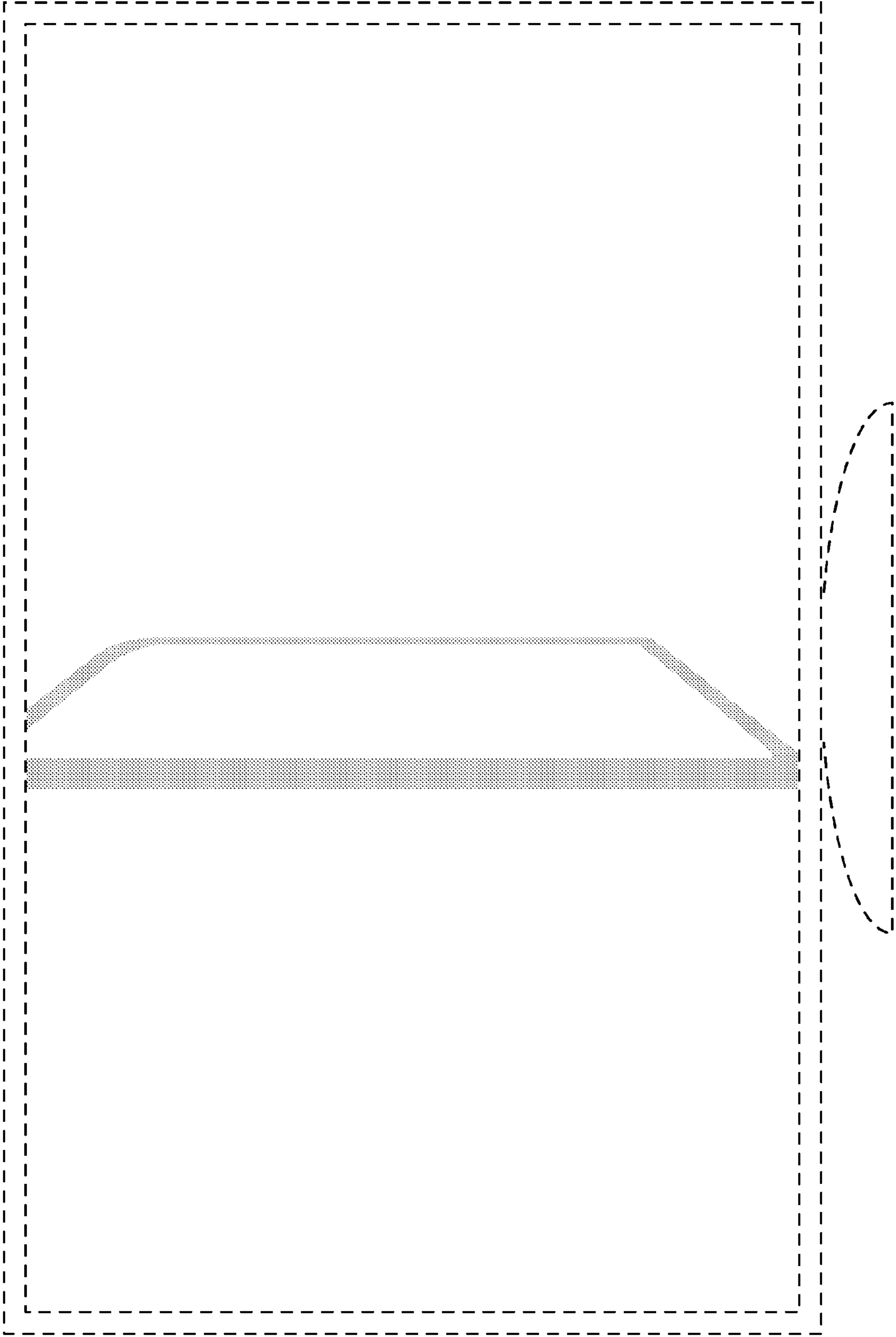


FIG. 4

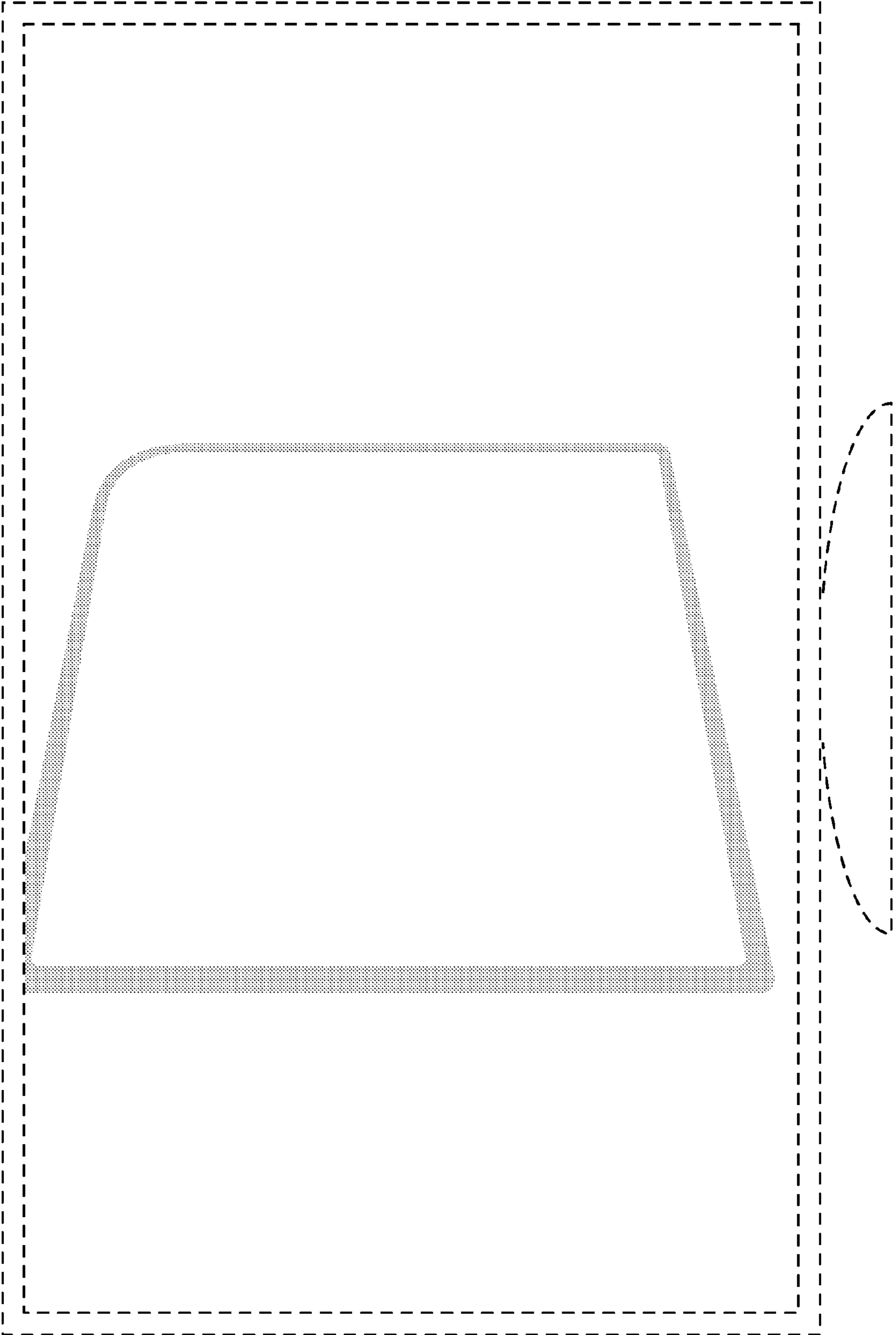


FIG. 5

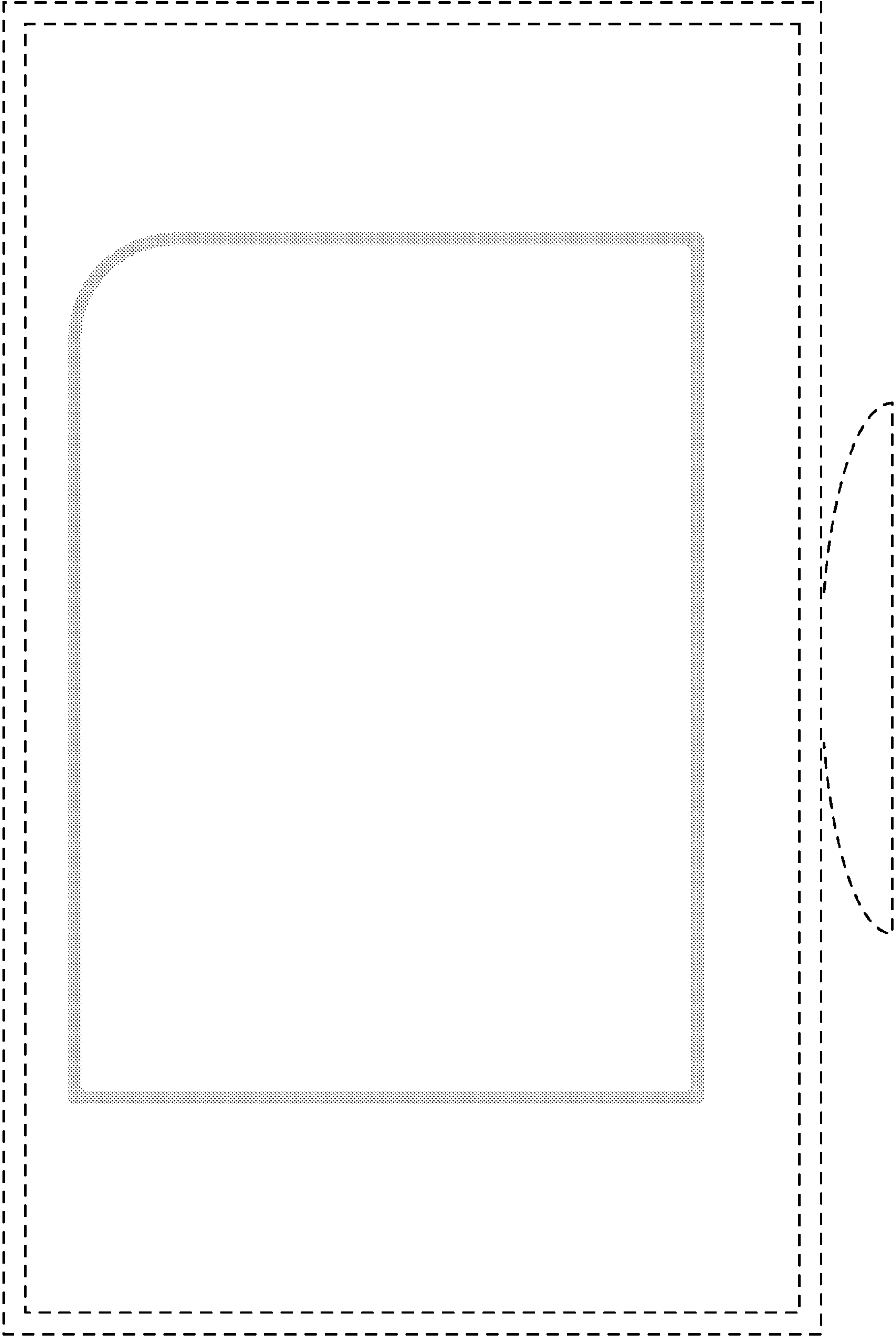


FIG. 6