



US00D594016S

(12) **United States Design Patent**  
**King**

(10) **Patent No.:** **US D594,016 S**  
(45) **Date of Patent:** **\*\* Jun. 9, 2009**

(54) **GRAPHIC USER WINDOW AND INTERFACE  
REGION BORDER IMAGE FOR A DISPLAY  
SCREEN**

(75) Inventor: **Joseph King**, Seattle, WA (US)

(73) Assignee: **Microsoft Corporation**, Redmond, WA  
(US)

(\*\*) Term: **14 Years**

(21) Appl. No.: **29/320,507**

(22) Filed: **Jun. 27, 2008**

(51) **LOC (9) Cl.** ..... **14-04**

(52) **U.S. Cl.** ..... **D14/486**

(58) **Field of Classification Search** ..... D14/485-95;  
D18/24-33; D19/6, 52; D20/11; D21/324-33;  
715/700-867, 973-77

See application file for complete search history.

(56) **References Cited**

**U.S. PATENT DOCUMENTS**

5,388,202	A *	2/1995	Squires et al.	715/800
5,754,809	A *	5/1998	Gandre	715/782
5,912,668	A *	6/1999	Sciammarella et al.	715/788
D460,762	S *	7/2002	Wasko	D14/486
D472,244	S *	3/2003	Wasko	D14/486
6,577,330	B1 *	6/2003	Tsuda et al.	715/782
6,661,467	B1 *	12/2003	Van Der Meer et al.	348/564
D501,211	S *	1/2005	Ligameri et al.	D14/486
6,874,129	B2 *	3/2005	Smith	715/803

D508,494	S *	8/2005	Ligameri	D14/486
6,973,627	B1 *	12/2005	Appling	715/781
D535,659	S *	1/2007	Hally et al.	D14/485
7,170,510	B2 *	1/2007	Kawahara et al.	345/419
D544,492	S *	6/2007	Rimas-Ribikauskas et al.	D14/485
D545,834	S *	7/2007	Anthony et al.	D14/488
D546,343	S *	7/2007	Anthony et al.	D14/488
D568,892	S *	5/2008	Stabb et al.	D14/485
D570,859	S *	6/2008	Hsiao et al.	D14/486
D570,865	S *	6/2008	Sadler	D14/486
D582,928	S *	12/2008	Blankenship et al.	D14/485
D582,929	S *	12/2008	Blankenship et al.	D14/485
D584,736	S *	1/2009	Ismail	D14/486
7,480,873	B2 *	1/2009	Kawahara	715/848

\* cited by examiner

*Primary Examiner*—Melanie H Tung

(74) *Attorney, Agent, or Firm*—Banner & Witcoff, Ltd.

(57) **CLAIM**

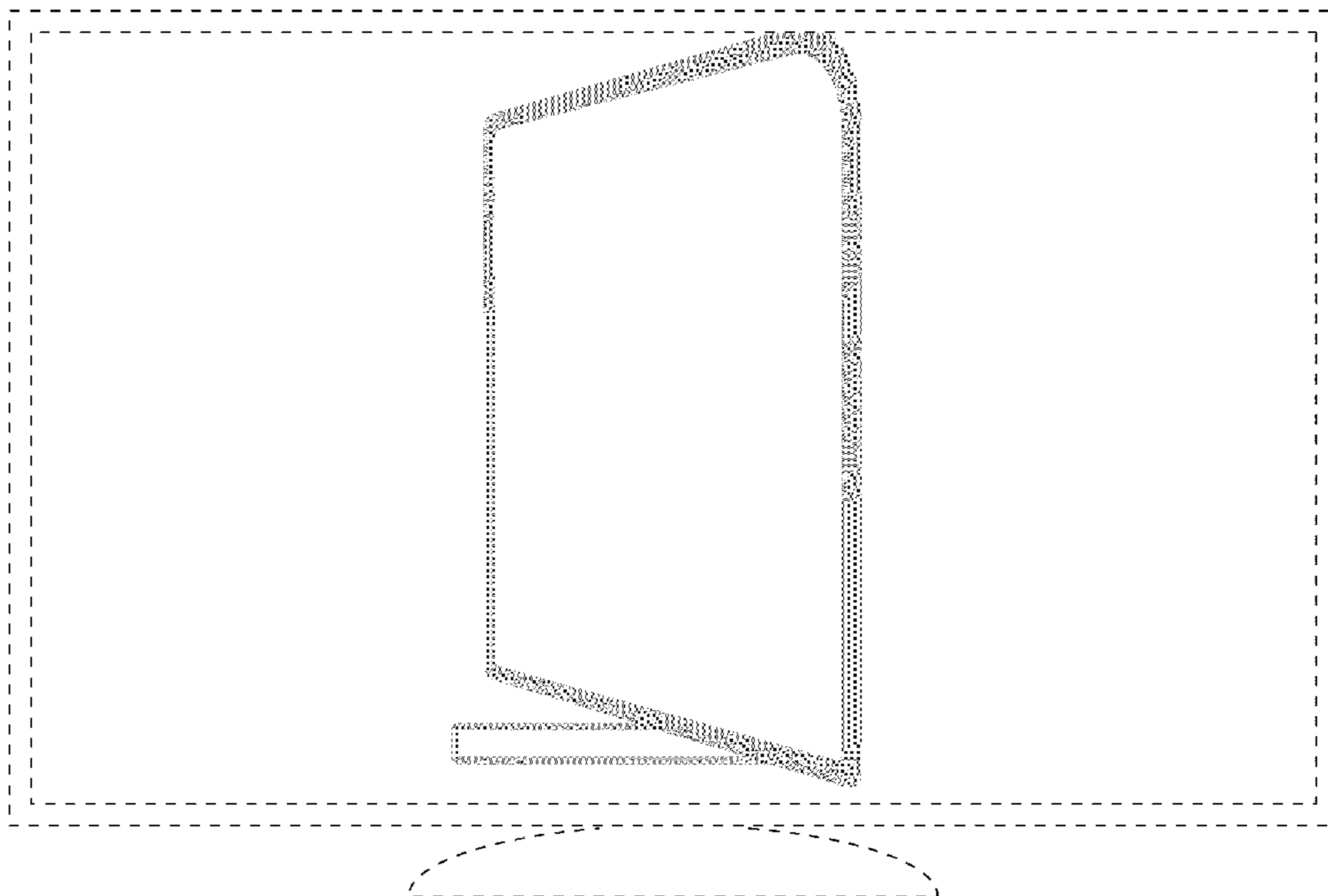
The ornamental design for borders for a graphic user window and interface region border image for a display screen, as shown and described.

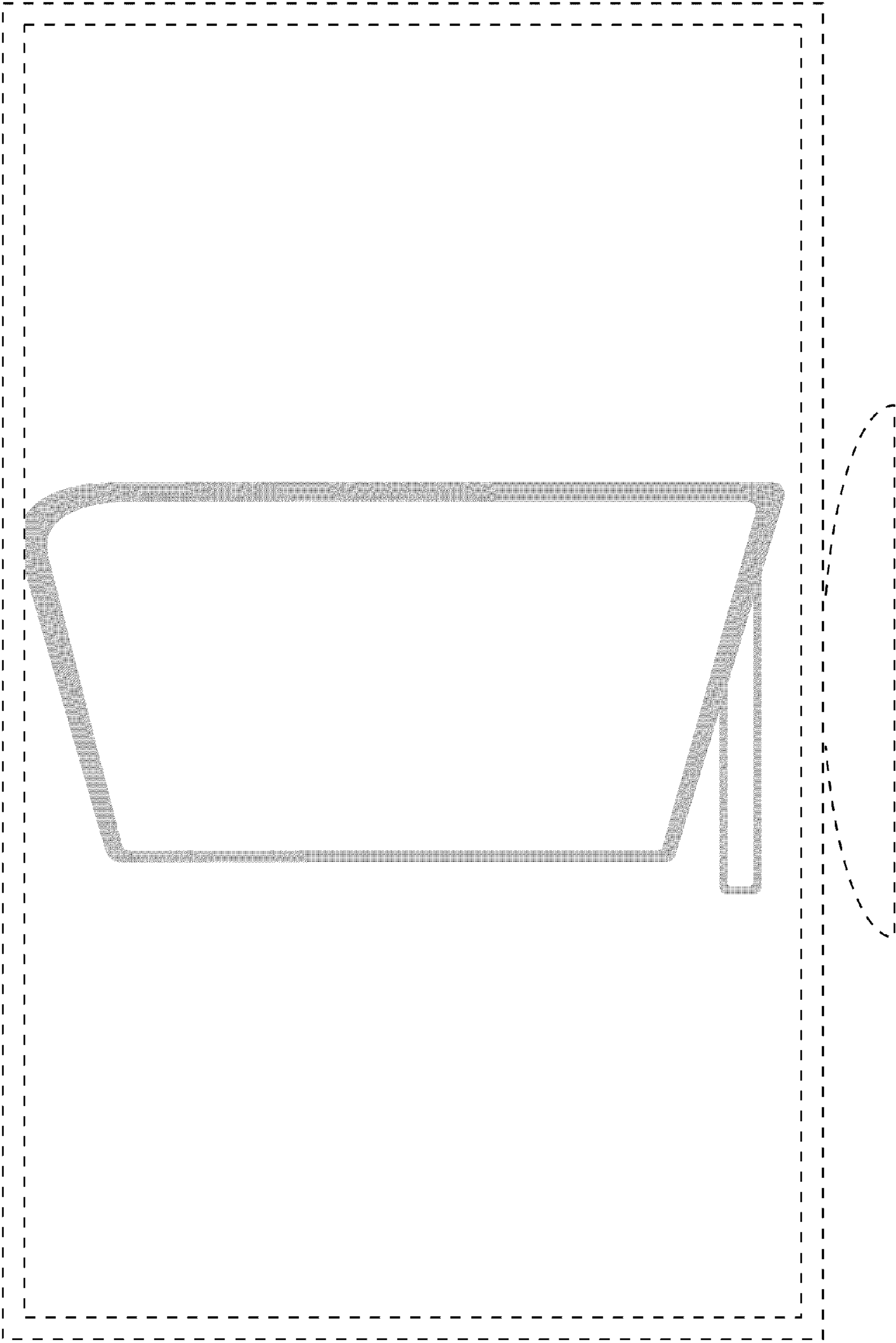
**DESCRIPTION**

The FIGURE is a front view of borders for a graphic user window and interface region border image for a display screen showing the new design.

The broken line showing of the display screen is for illustrative purposes only and forms no part of the claimed design.

**1 Claim, 1 Drawing Sheet**





FIGURE