



US00D594010S

(12) **United States Design Patent**
Altonji et al.

(10) **Patent No.:** **US D594,010 S**
(45) **Date of Patent:** **** Jun. 9, 2009**

(54) **BOOM EXTENSION ARM**

(75) Inventors: **Robert Altonji**, Quakertown, PA (US);
David VanDuzer, Topton, PA (US);
Bradley A. Derry, Easton, PA (US);
Odd N. Oddsen, Jr., Easton, PA (US)

(73) Assignee: **Innovative Office Products, Inc.**,
Easton, PA (US)

(**) Term: **14 Years**

(21) Appl. No.: **29/310,679**

(22) Filed: **Sep. 3, 2008**

Related U.S. Application Data

(60) Division of application No. 29/288,254, filed on Jun. 5, 2007, now Pat. No. Des. 577,731, which is a continuation-in-part of application No. 29/266,148, filed on Sep. 15, 2006, now Pat. No. Des. 570,853, and a continuation-in-part of application No. 29/267,176, filed on Oct. 6, 2006, now Pat. No. Des. 577,729, and a continuation-in-part of application No. 11/544,076, filed on Oct. 6, 2006.

(51) **LOC (9) Cl.** **08-07**

(52) **U.S. Cl.** **D14/452**

(58) **Field of Classification Search** D14/451,
D14/452, 129, 209, 217, 224, 237, 238, 239,
D14/432, 439, 447, 448; D8/349, 354, 355,
D8/363, 373, 380; 348/825, 827; 248/176.1,
248/205.1, 219.2, 220.21, 222.52, 222.51,
248/274.1, 276.1, 281.11, 284.1, 291.1, 309.1,
248/323, 324, 349.1, 425, 917, 918, 919,
248/920, 921, 922, 923, 924

See application file for complete search history.

(56) **References Cited**

U.S. PATENT DOCUMENTS

919,777 A 4/1909 Savin et al.

(Continued)

OTHER PUBLICATIONS

International Search Report issued on Aug. 24, 2008 in connection with corresponding International Application No. PCT/US07/20056.

Primary Examiner—Jennifer Rivard

Assistant Examiner—Angela J Lee

(74) *Attorney, Agent, or Firm*—Design IP

(57) **CLAIM**

The ornamental design for a boom extension arm, as shown and described.

DESCRIPTION

FIG. 1 is a perspective view of a boom extension arm in accordance with the present invention;

FIG. 2 is a right side elevational view of the boom extension arm of FIG. 1, the left side elevational view being a mirror image of the right side;

FIG. 3 is a front elevational view of the boom extension arm of FIG. 1;

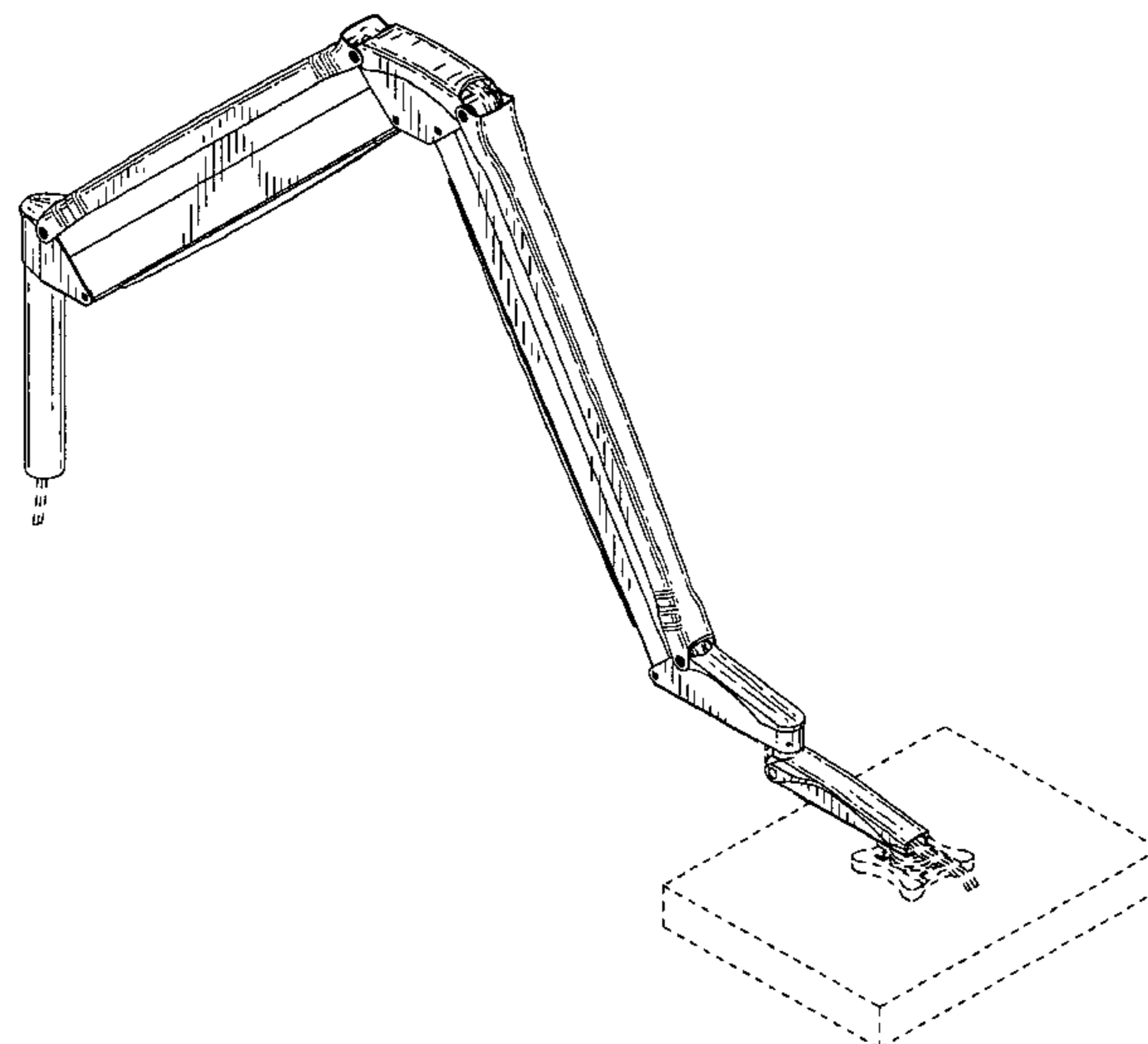
FIG. 4 is a rear elevational view of the boom extension arm of FIG. 1;

FIG. 5 is a top plan view of the boom extension arm of FIG. 1; and,

FIG. 6 is a bottom plan view of the boom extension arm of FIG. 1.

The broken lines showing of portions of the design and of environment, including end features, central joint portion and display, form no part of the claimed design. The drawings are not to scale.

1 Claim, 5 Drawing Sheets



US D594,010 S

Page 2

U.S. PATENT DOCUMENTS					
			5,967,479 A	10/1999	Sweere et al.
1,189,754 A	7/1916	Trenaman	6,012,693 A	1/2000	Voeller et al.
3,721,416 A	3/1973	Goudreau	6,076,785 A	6/2000	Oddsens, Jr.
3,981,340 A	9/1976	Anderson et al.	6,286,794 B1	9/2001	Harbin
4,160,536 A	7/1979	Krogsrud et al.	6,550,734 B1	4/2003	Spadea
4,166,602 A	9/1979	Nilsen et al.	6,553,587 B1	4/2003	Barker et al.
4,402,481 A	9/1983	Sasaki et al.	D495,240 S	8/2004	Mnich et al.
4,447,031 A	5/1984	Souder, Jr. et al.	6,896,230 B2	5/2005	Cvek
4,568,052 A	2/1986	Solomon et al.	7,188,812 B2	3/2007	Wang et al.
4,846,434 A	7/1989	Krogsrud et al.	7,207,537 B2 *	4/2007	Hung 248/284.1
4,852,842 A	8/1989	O'Neill	D544,489 S	6/2007	Oddsens, Jr. et al.
4,953,822 A	9/1990	Sharber et al.	D555,657 S	11/2007	Loyd
5,014,693 A	5/1991	Wright, II et al.	7,364,127 B2 *	4/2008	Huang 248/276.1
5,133,547 A	7/1992	Pardi	D570,853 S *	6/2008	Derry et al. D14/452
5,170,975 A	12/1992	Chadwick	D577,729 S *	9/2008	Derry et al. D14/452
5,213,292 A	5/1993	Evans	D577,731 S *	9/2008	Altonji et al. D14/452
5,477,283 A	12/1995	Casey	2002/0088910 A1	7/2002	Sweere et al.
5,505,424 A	4/1996	Niemann	2003/0075653 A1	4/2003	Li
5,538,214 A	7/1996	Sinila	2004/0178312 A1	9/2004	Parsons
5,609,316 A	3/1997	Tigliev et al.	2005/0230585 A1	10/2005	Hung
5,876,008 A	3/1999	Sweere et al.	2006/0266903 A1	11/2006	Oddsens et al.
5,924,665 A	7/1999	Sweere et al.	2008/0093522 A1 *	4/2008	Oddsens et al. 248/276.1

* cited by examiner

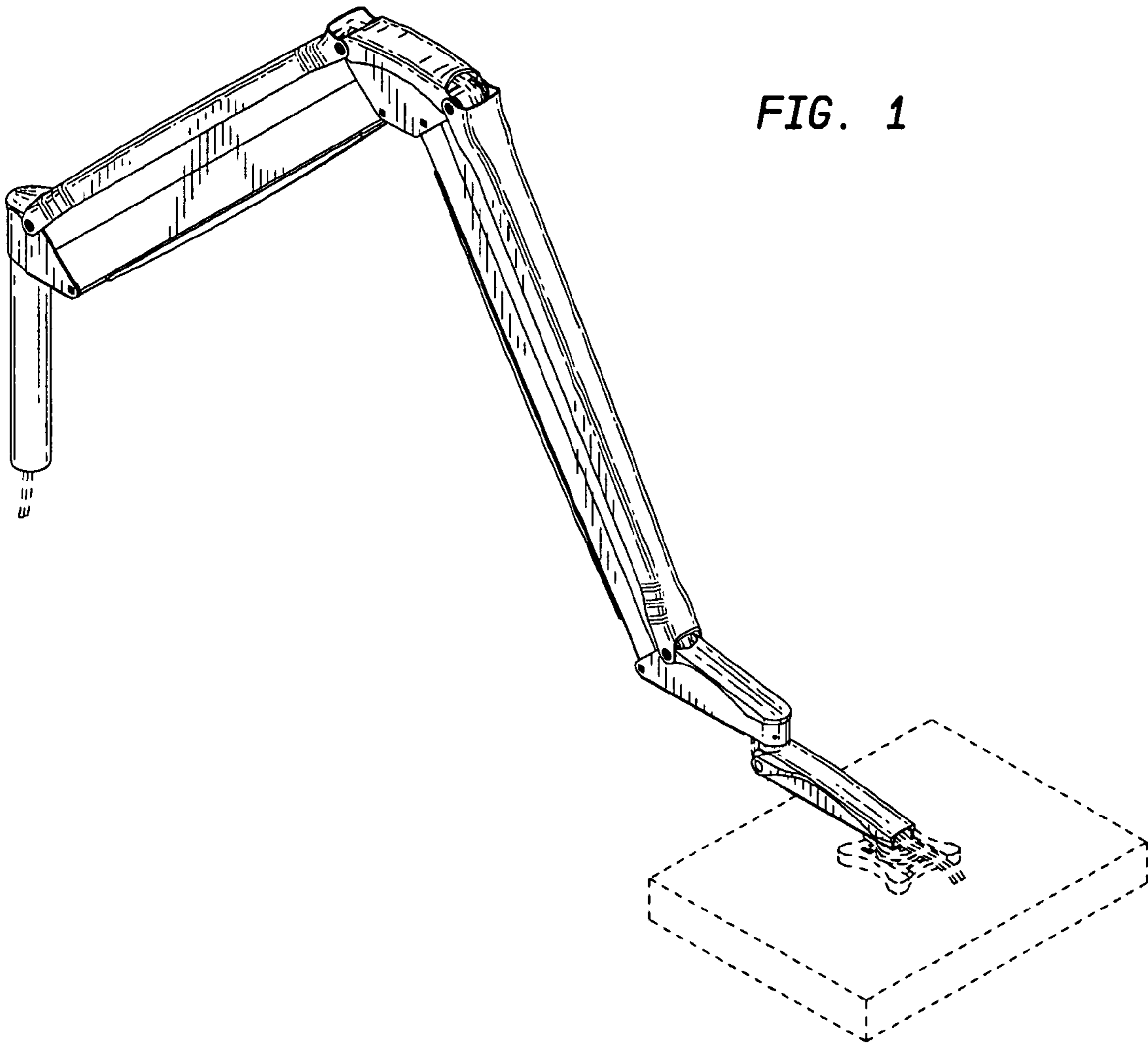


FIG. 2

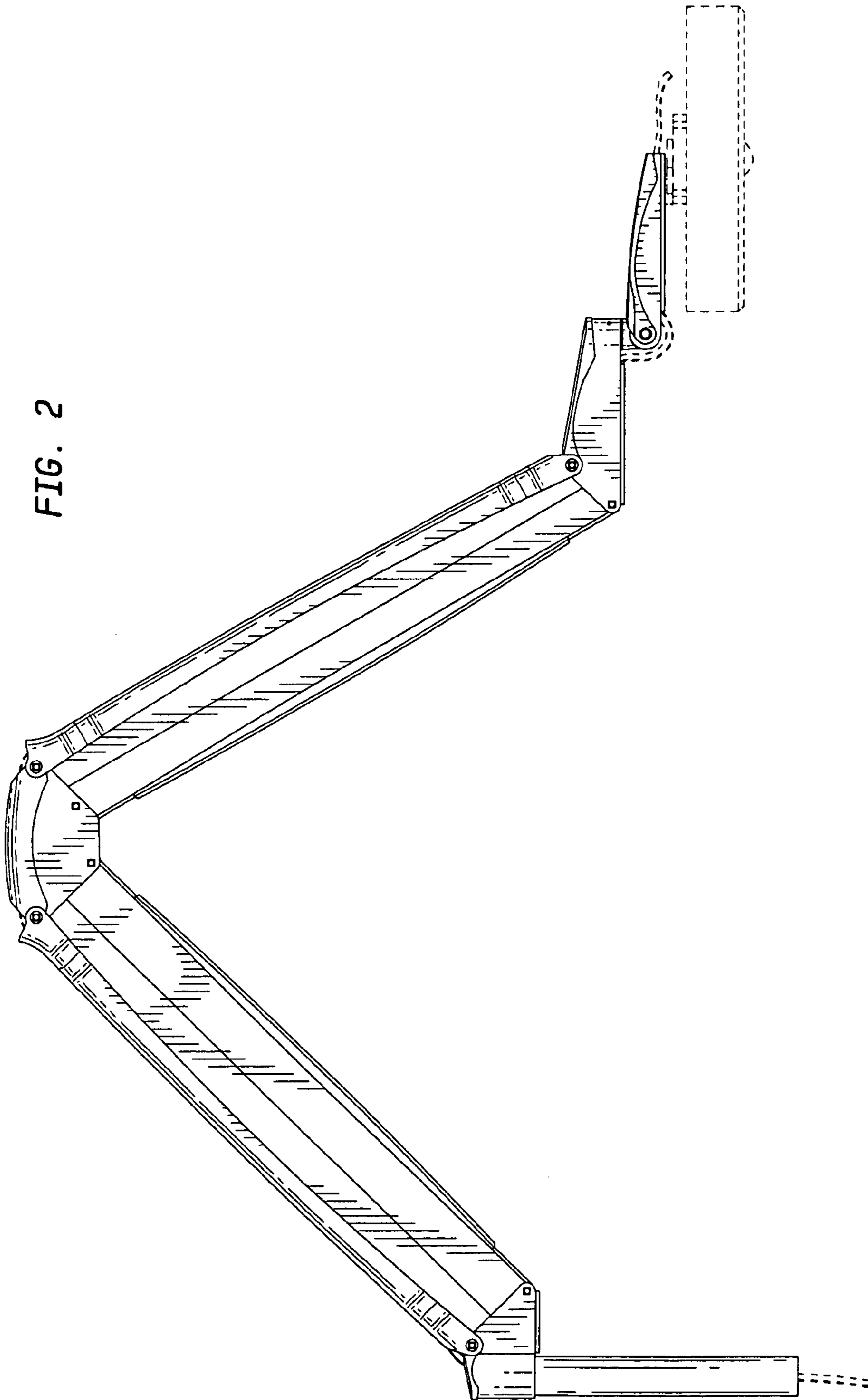


FIG. 3

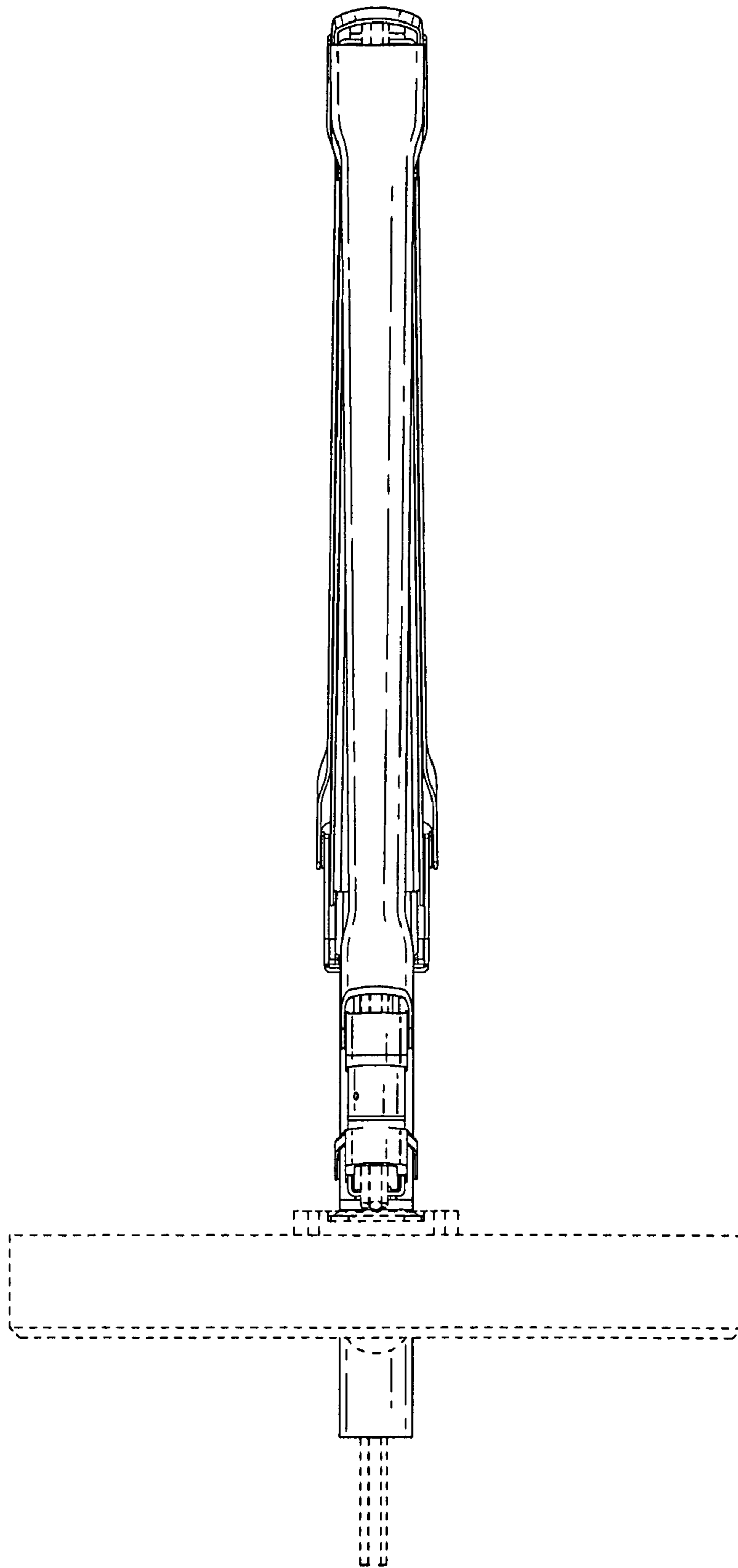
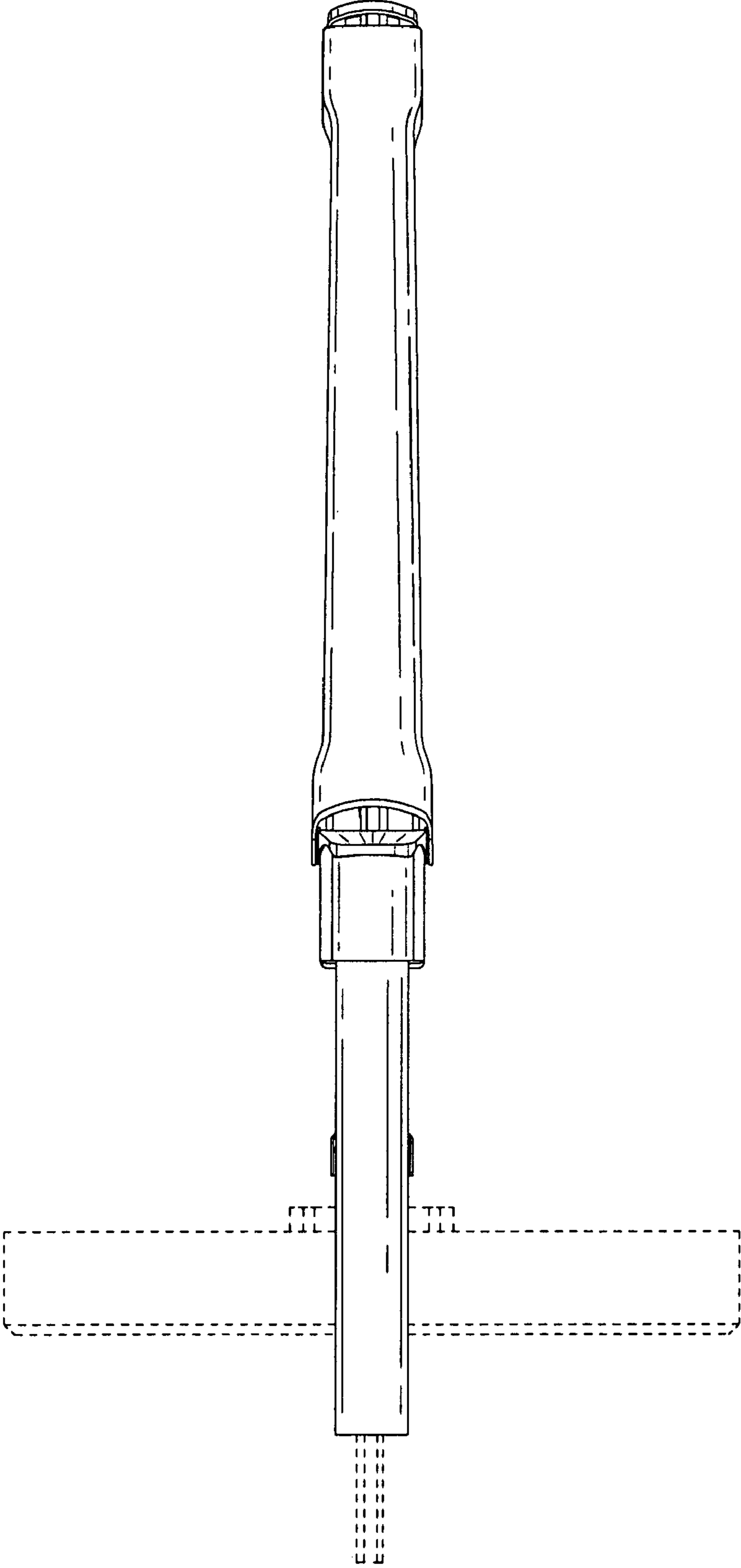


FIG. 4



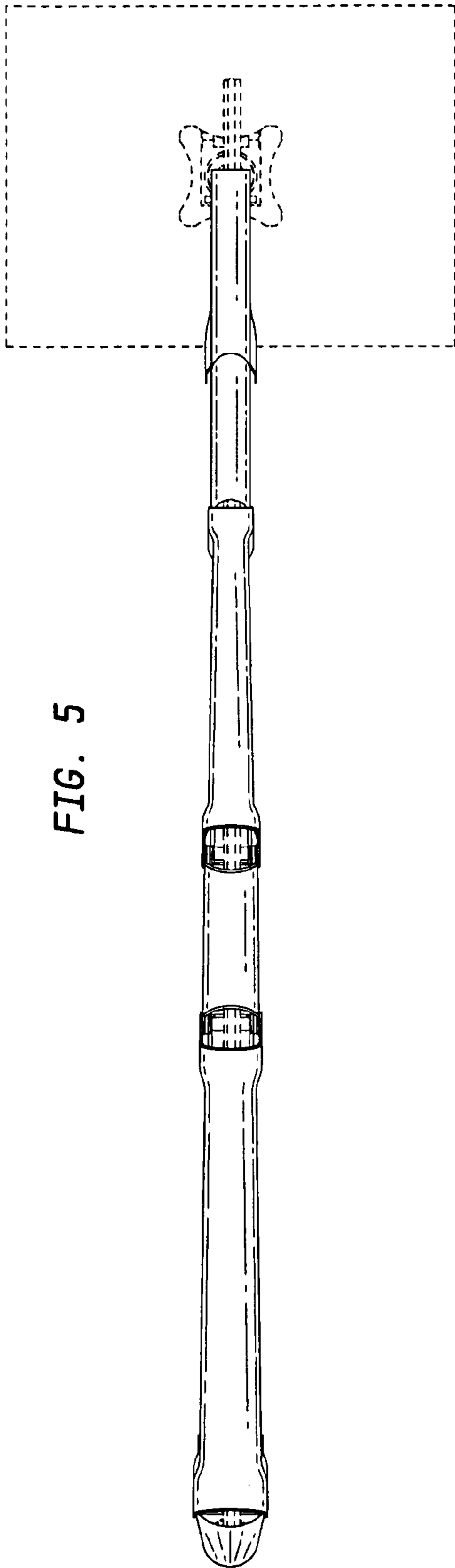


FIG. 5

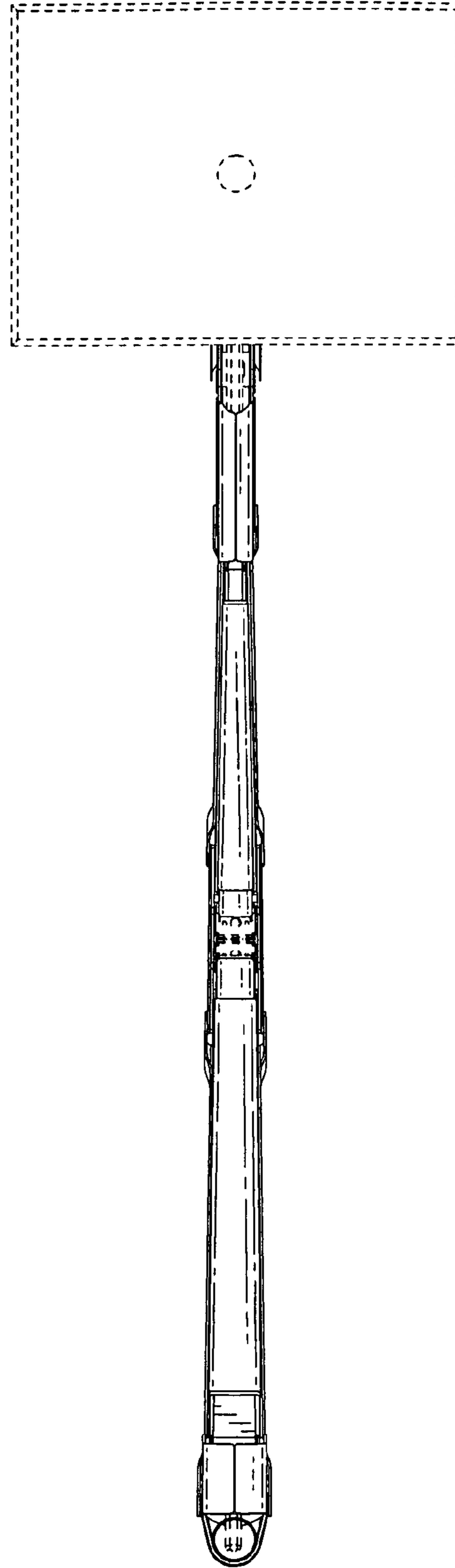


FIG. 6