



US00D594006S

(12) **United States Design Patent**
Ren et al.

(10) **Patent No.:** **US D594,006 S**
(45) **Date of Patent:** **** Jun. 9, 2009**

(54) **PORTABLE ELECTRONIC DEVICE**

(75) Inventors: **Guo-Guang Ren**, Shenzhen (CN); **Tao Su**, Shenzhen (CN); **Zheng Shi**, Shenzhen (CN); **Chih-Chiang Chang**, Taipei Hsien (TW)

(73) Assignee: **FIH (Hong Kong) Limited**, Kowloon (HK)

(**) Term: **14 Years**

(21) Appl. No.: **29/320,580**

(22) Filed: **Jun. 30, 2008**

(51) **LOC (9) Cl.** **14-02**

(52) **U.S. Cl.** **D14/341**

(58) **Field of Classification Search** D14/341-347, D14/420, 426, 427, 432, 439-441, 448, 496, D14/125, 129-130, 137, 138, 147, 156, 218, D14/247-248, 250, 389; D10/65, 104; D18/6-7; D21/329, 686; D6/596, 601, 605; 455/90.3, 455/6.1, 556.2, 575.1, 575.3, 575.4; 379/433.01, 379/433.04, 433.06, 433.07; 361/814; 341/22; 345/169; 346/173

See application file for complete search history.

(56) **References Cited**

U.S. PATENT DOCUMENTS

D309,152 S * 7/1990 Sakaguchi et al. D18/7
D423,015 S * 4/2000 Curtis et al. D14/248

D483,364 S * 12/2003 Olson et al. D14/375
D501,004 S * 1/2005 Thomsen D14/248
D504,691 S * 5/2005 Ohno D14/496
D541,296 S * 4/2007 Kim D14/496
D570,871 S * 6/2008 Niizawa et al. D14/496
D571,376 S * 6/2008 Kaneko et al. D14/496

* cited by examiner

Primary Examiner—Cathron C Brooks

Assistant Examiner—Barbara Fox

(74) *Attorney, Agent, or Firm*—Steven M. Reiss

(57) **CLAIM**

The ornamental design for a portable electronic device, as shown and described.

DESCRIPTION

FIG. 1 is a perspective view of a portable electronic device in accordance with the present design;

FIG. 2 is a front elevational view thereof;

FIG. 3 is a rear elevational view thereof;

FIG. 4 is a left side elevational view thereof;

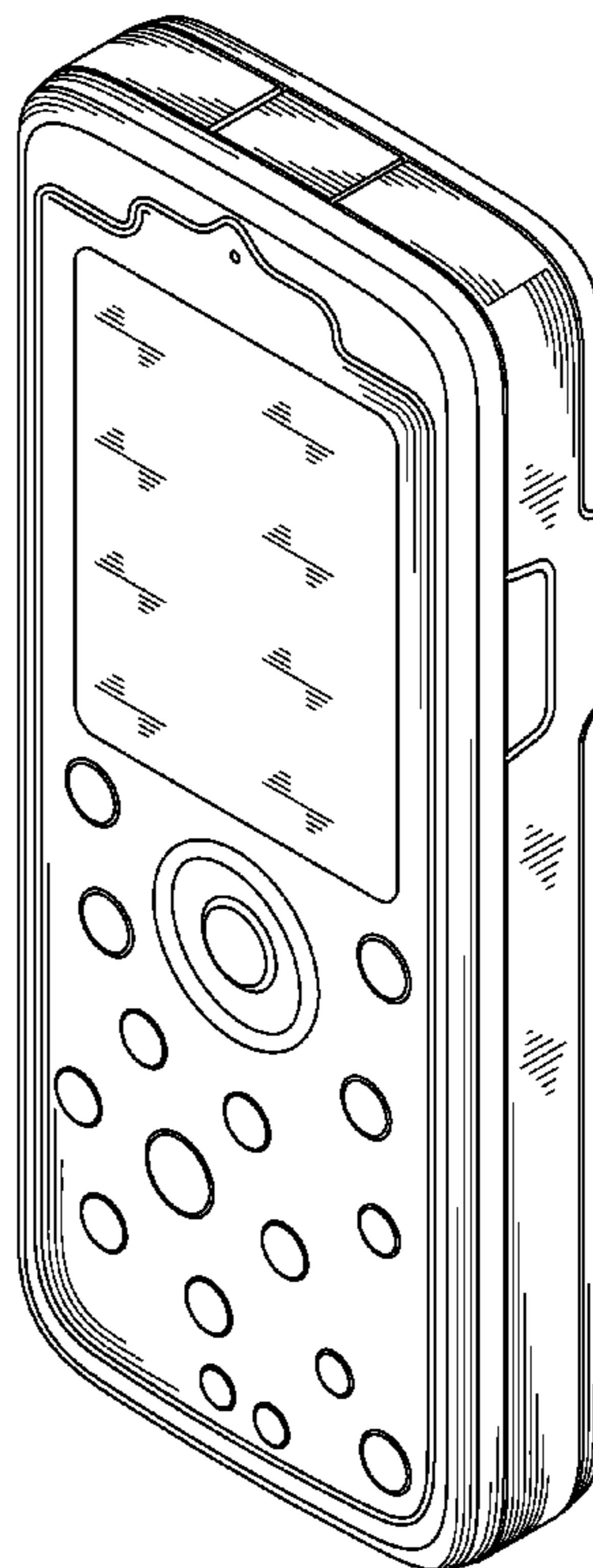
FIG. 5 is a right side elevational view thereof;

FIG. 6 is a top plan view thereof; and,

FIG. 7 is a bottom plan view thereof.

The broken lines shown in FIG. 7 are for the purpose of illustrating unclaimed portions of the portable electronic device and form no part of the claimed design.

1 Claim, 7 Drawing Sheets



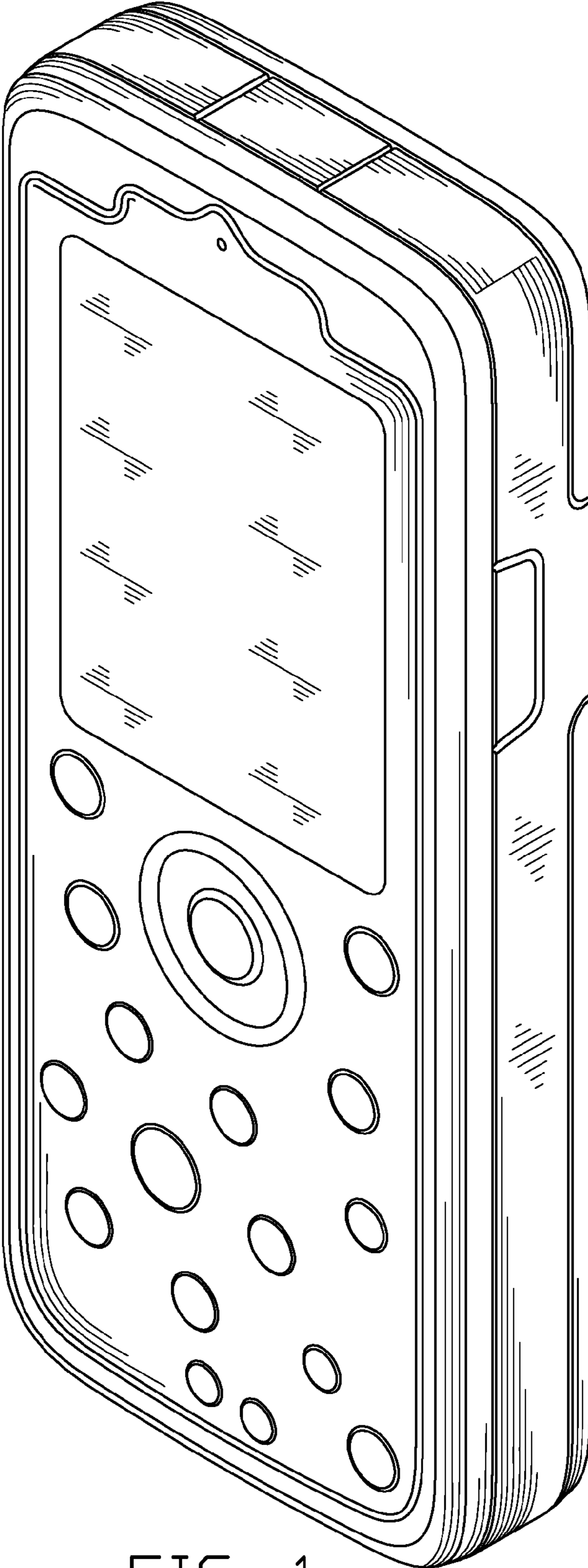


FIG. 1

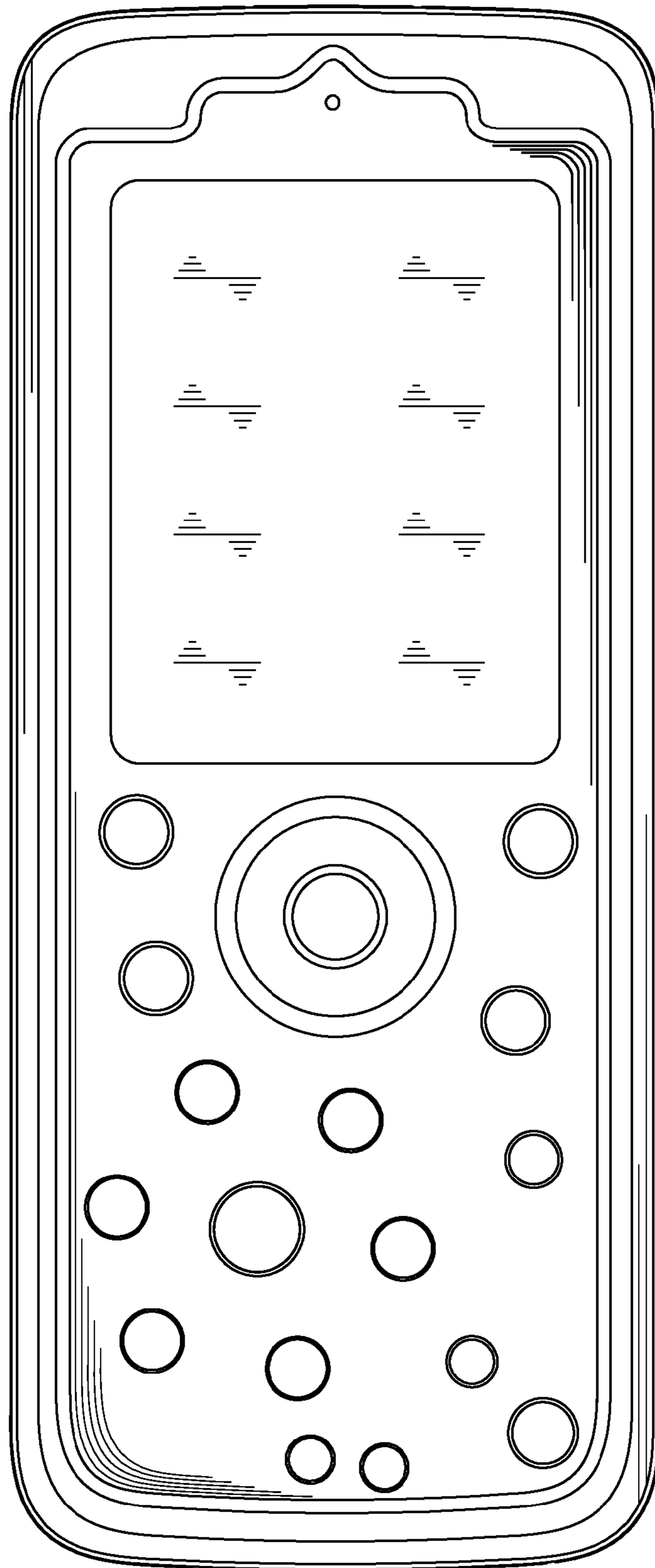


FIG. 2

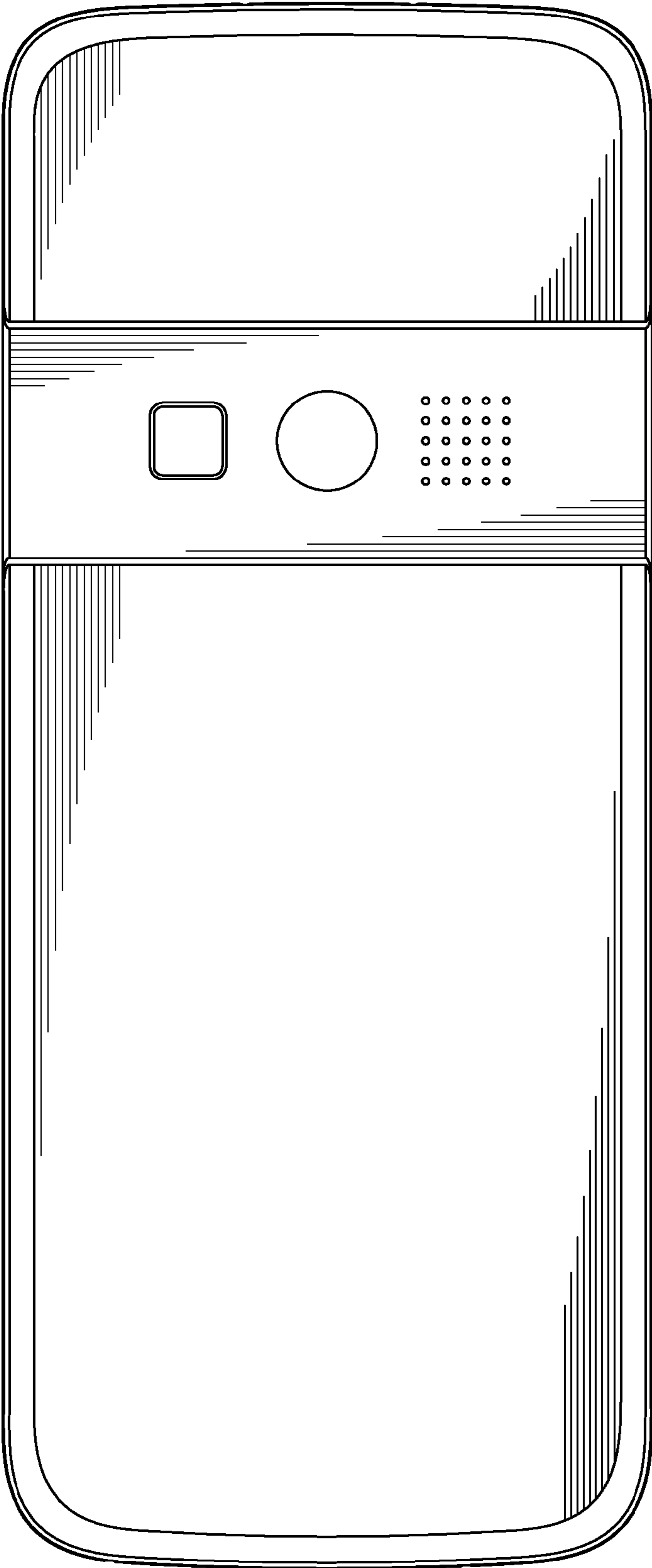


FIG. 3

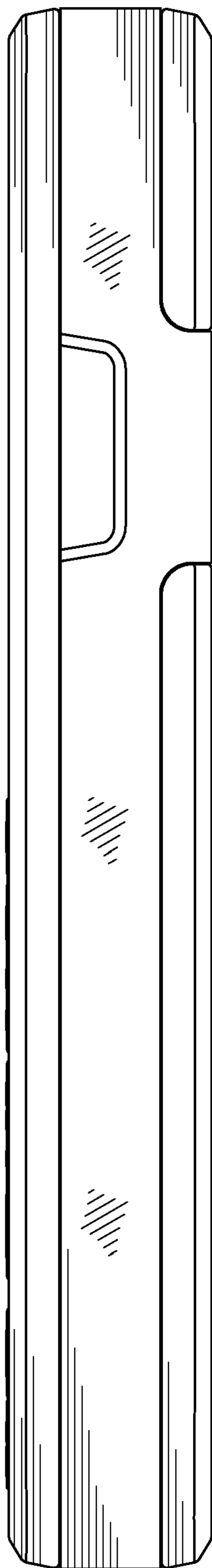


FIG. 4

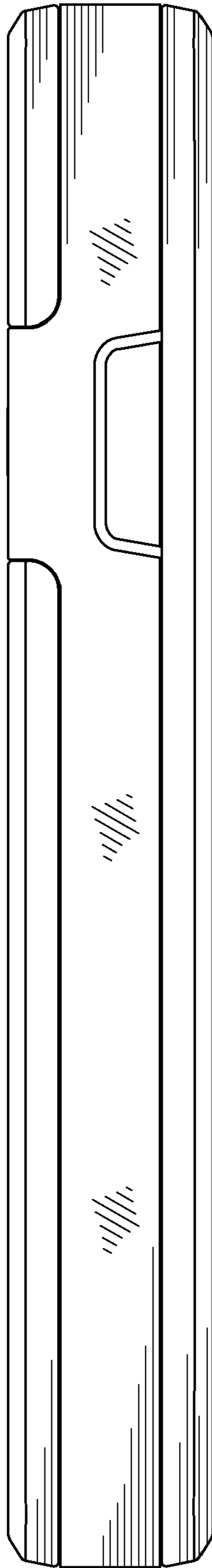


FIG. 5

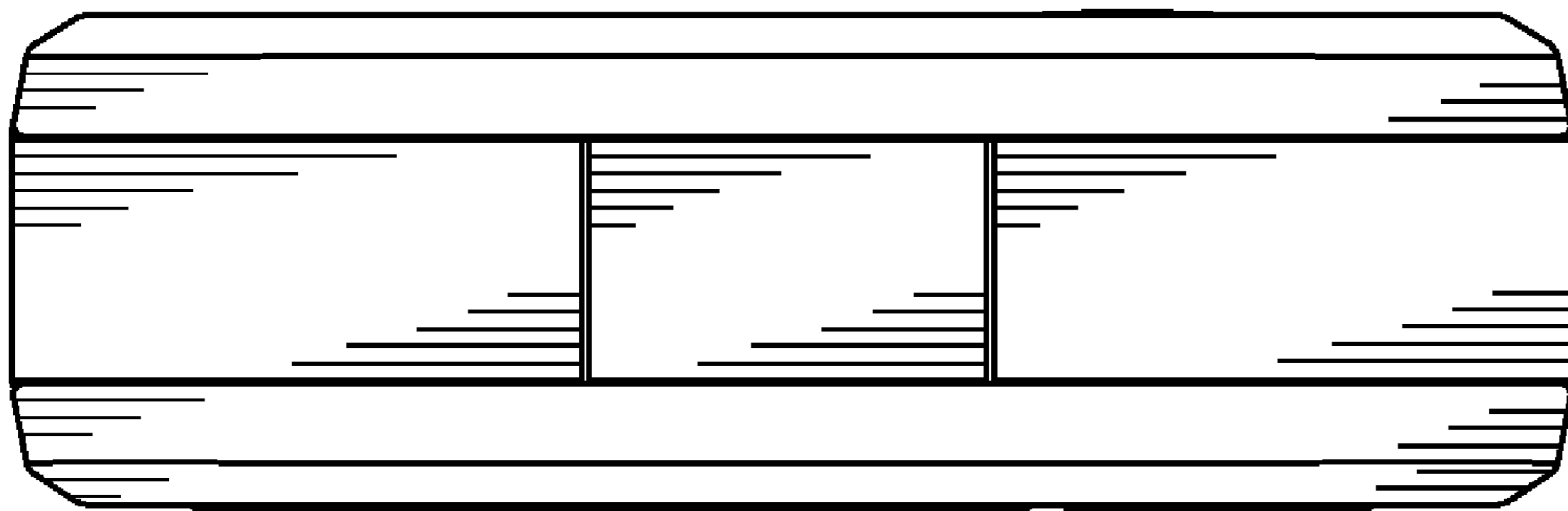


FIG. 6

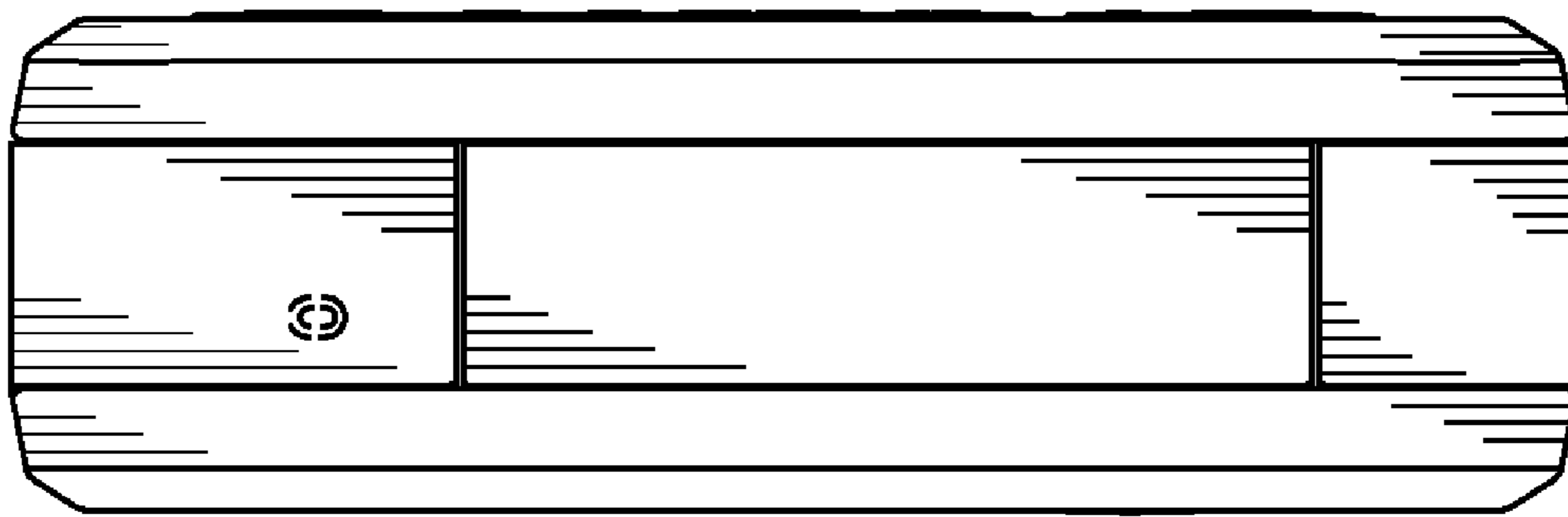


FIG. 7