

US00D594004S

(12) **United States Design Patent**  
**Takemasa**

(10) **Patent No.:** **US D594,004 S**  
(45) **Date of Patent:** **\*\* Jun. 9, 2009**

(54) **PORTABLE COMPUTER**

D533,552 S \* 12/2006 Kuroiwa et al. .... D14/346

(75) Inventor: **Hirofumi Takemasa**, Kadoma (JP)

(73) Assignee: **Panasonic Corporation**, Kadoma-shi (JP)

(\*\*) Term: **14 Years**

(21) Appl. No.: **29/306,548**

(22) Filed: **Apr. 10, 2008**

(30) **Foreign Application Priority Data**

Feb. 1, 2008 (JP) ..... 2008-002216

(51) **LOC (9) Cl.** ..... **14-02**

(52) **U.S. Cl.** ..... **D14/341**

(58) **Field of Classification Search** ..... D14/341-347,  
D14/420, 426, 427, 432, 439-441, 448, 496,  
D14/125, 129-130, 137, 138, 147, 156, 218,  
D14/247-248, 250, 389; D10/65, 104; D18/6-7;  
D21/329, 686; D6/596, 601, 605; 455/90.3,  
455/6.1, 556.2, 575.1, 575.3, 575.4; 379/433.01,  
379/433.04, 433.06, 433.07; 361/814; 341/22;  
345/169; 346/173

See application file for complete search history.

(56) **References Cited**

**U.S. PATENT DOCUMENTS**

- D338,045 S \* 8/1993 Rosen ..... D14/400
- D354,947 S \* 1/1995 Peart ..... D14/341
- D363,511 S \* 10/1995 Hui ..... D21/329
- D384,980 S \* 10/1997 Willems et al. .... D21/329
- D416,910 S \* 11/1999 Vasquez ..... D14/218
- D451,505 S \* 12/2001 Iseki et al. .... D14/341
- D462,957 S \* 9/2002 Ekelund ..... D14/336
- D491,560 S \* 6/2004 Hsu Li ..... D14/371
- D506,195 S \* 6/2005 Leveridge et al. .... D14/341
- D521,963 S \* 5/2006 Hoehn et al. .... D14/134
- D532,822 S \* 11/2006 White et al. .... D19/52

**FOREIGN PATENT DOCUMENTS**

- JP D1086467 S 9/2000
- JP D1086468 S 9/2000
- JP D1092057 S 11/2000
- JP D1092786 S 12/2000
- JP D1092787 S 12/2000
- JP D1094675 S 12/2000
- JP D1192551 S 12/2003
- JP D1192552 S 12/2003
- JP D1192649 S 12/2003
- JP D1192650 S 12/2003
- JP D1193340 S 1/2004
- JP D1238592 S 5/2005

\* cited by examiner

*Primary Examiner*—Cathron C Brooks

*Assistant Examiner*—Barbara Fox

(74) *Attorney, Agent, or Firm*—Christensen O'Connor Johnson Kindness PLLC

(57) **CLAIM**

The ornamental design for a portable computer, as shown and described.

**DESCRIPTION**

FIG. 1 is a front, right and top perspective view of a portable computer showing my new design.

FIG. 2 is a rear perspective view thereof;

FIG. 3 is a front view thereof;

FIG. 4 is a top plan view thereof;

FIG. 5 is a left side view thereof;

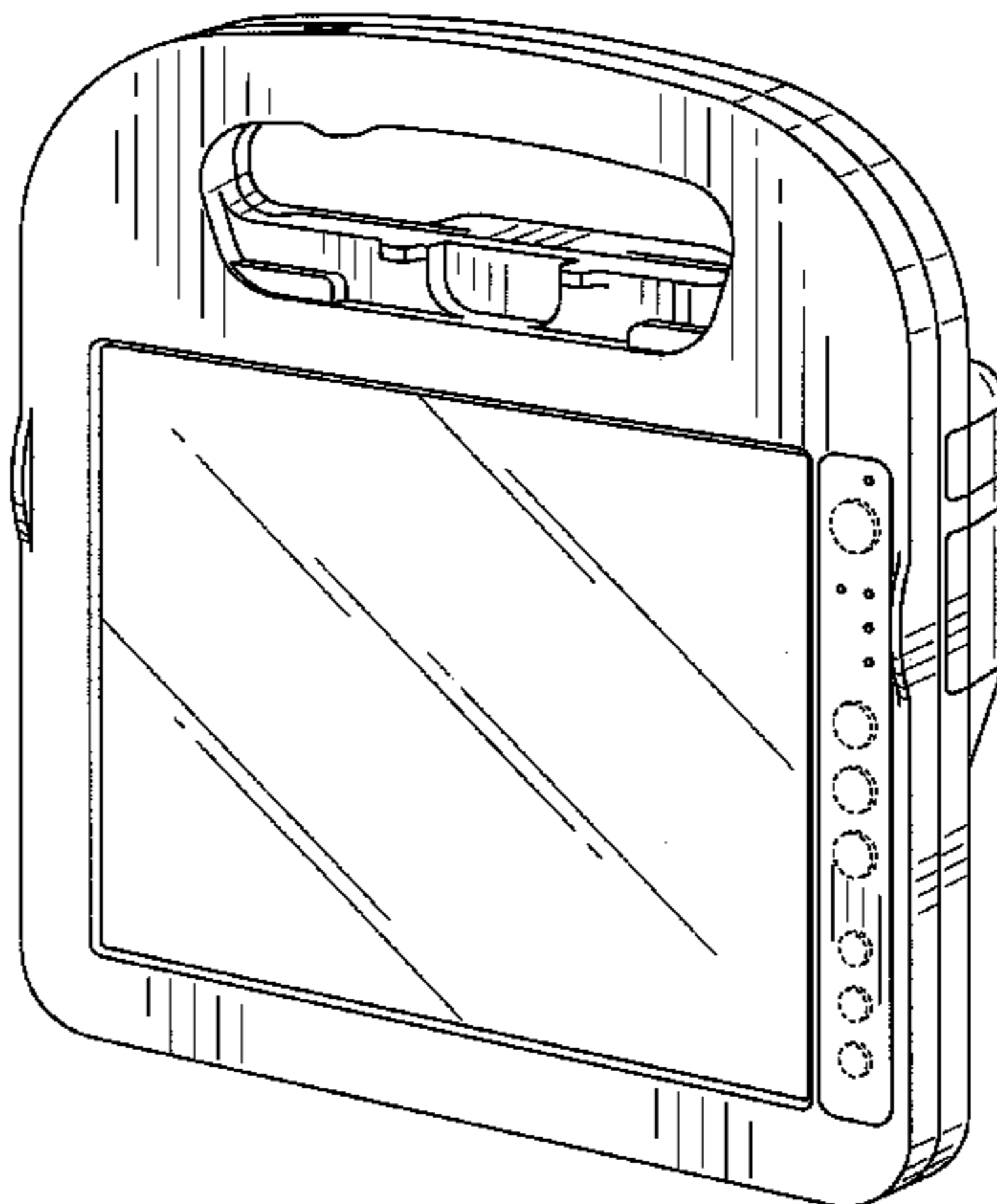
FIG. 6 is a right side view thereof;

FIG. 7 is a bottom view thereof; and,

FIG. 8 is a rear view thereof.

The broken lines shown in the drawings are for the purpose of illustrating unclaimed portions of the design and form no part thereof.

**1 Claim, 5 Drawing Sheets**



**FIG. 1**

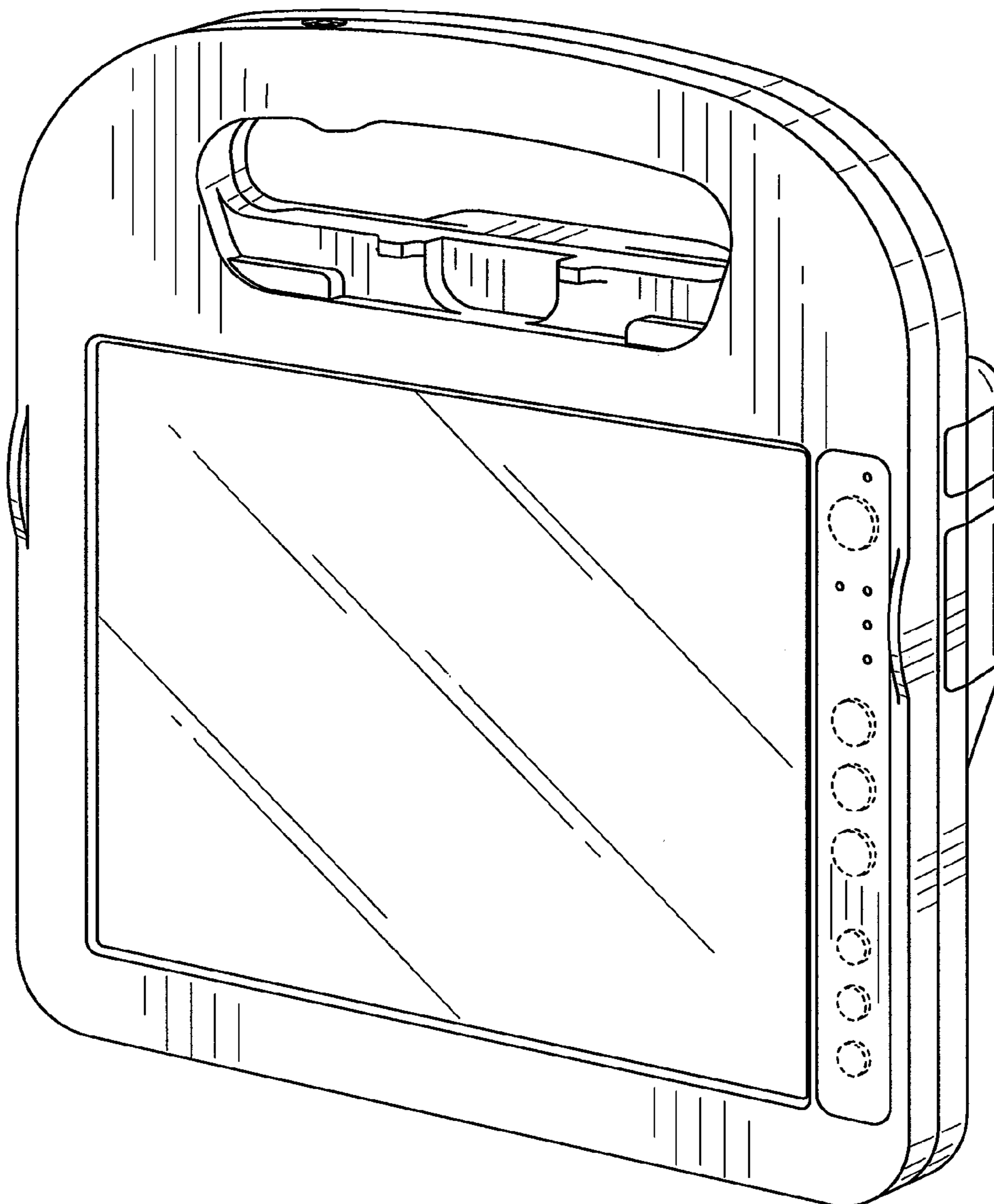
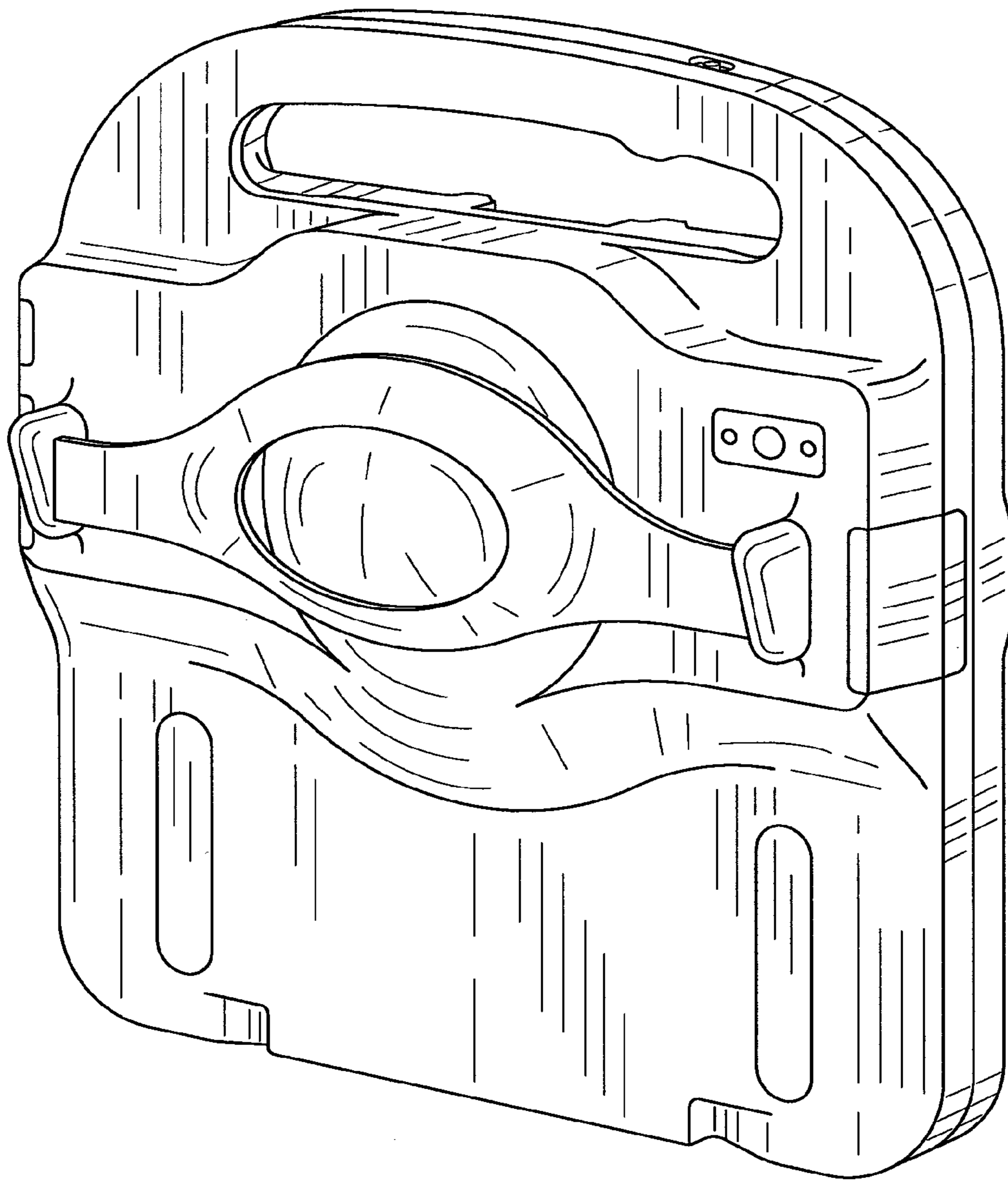
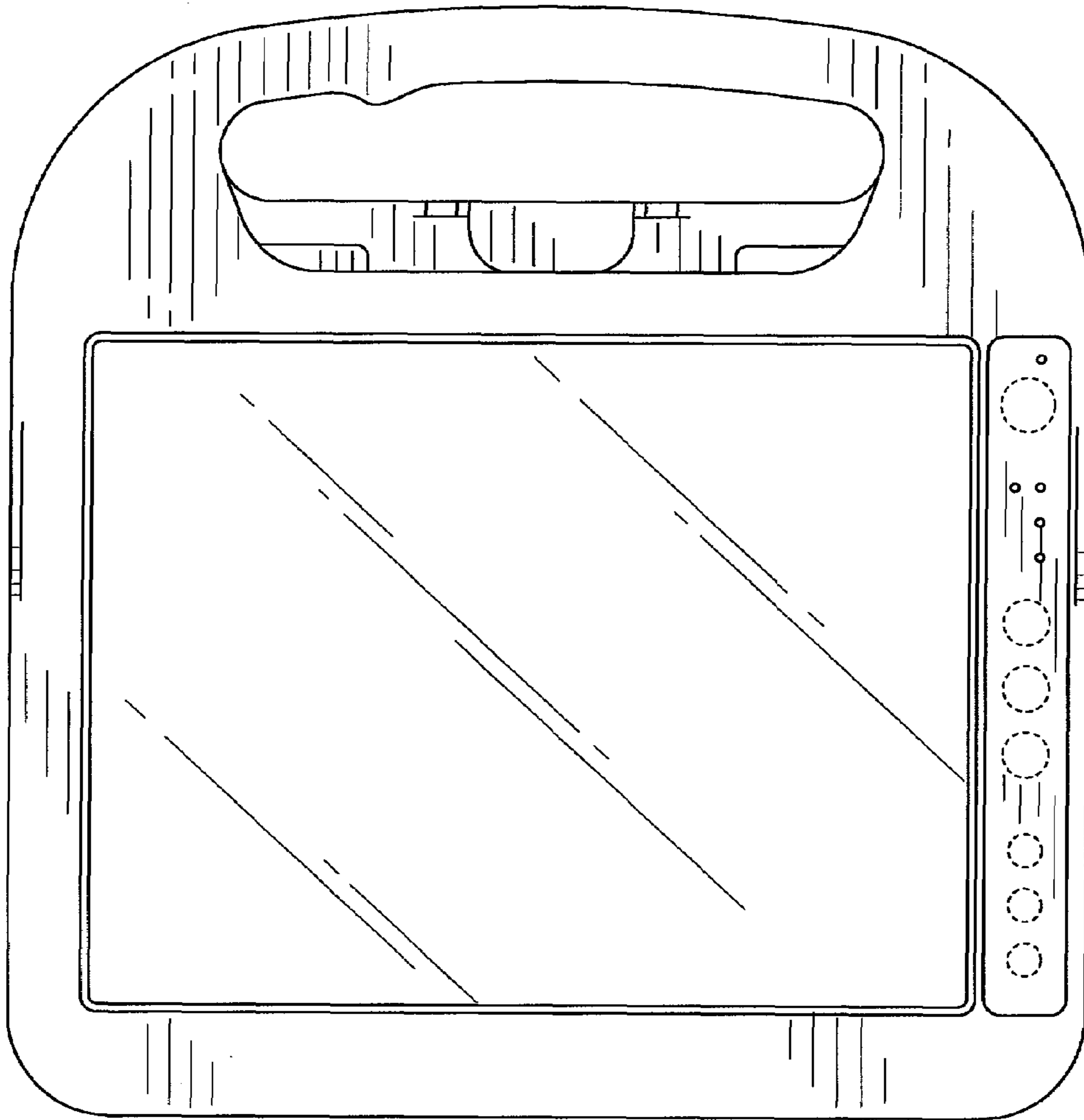


FIG.2



**FIG.3**



**FIG.4**

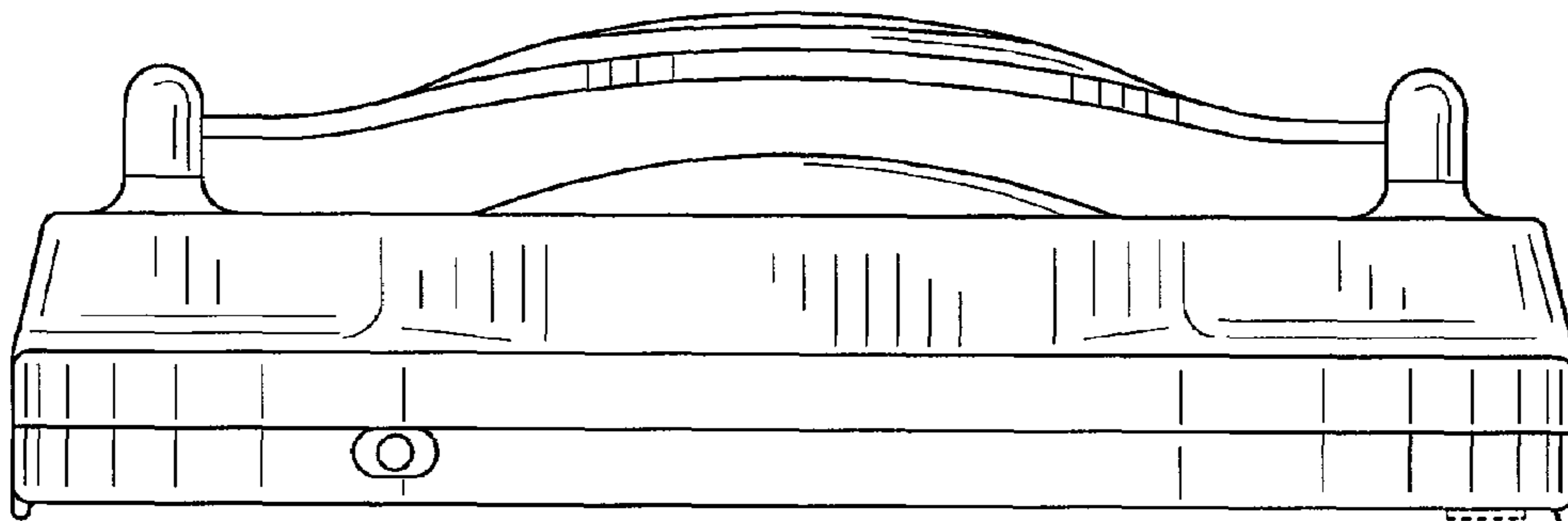


FIG.5

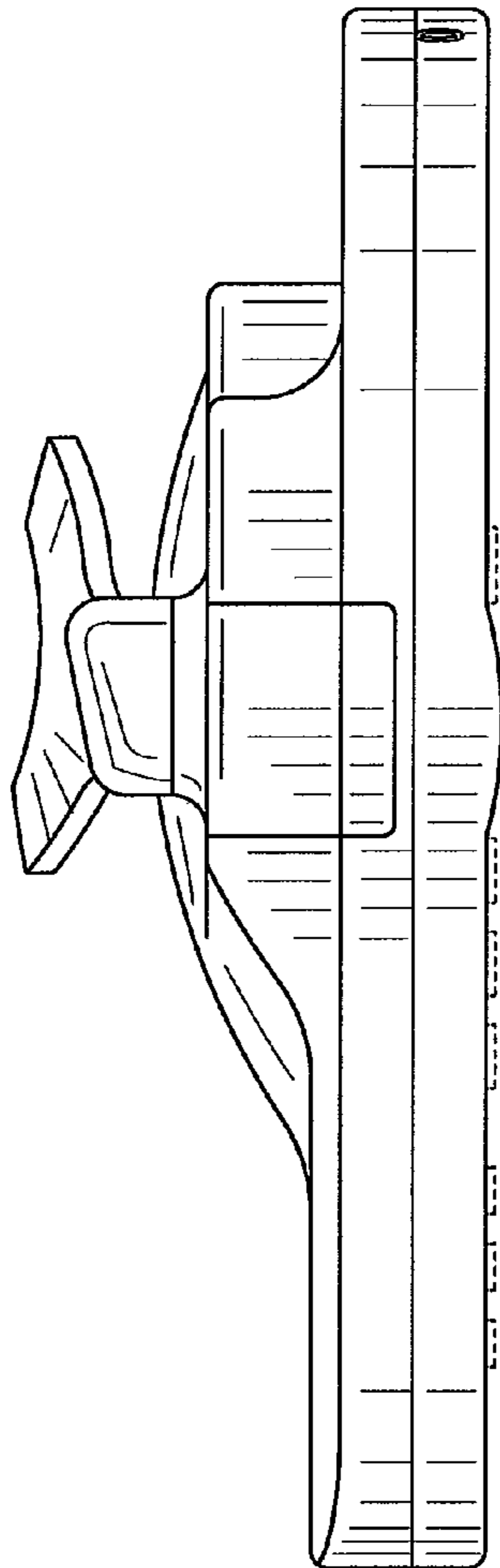


FIG.6

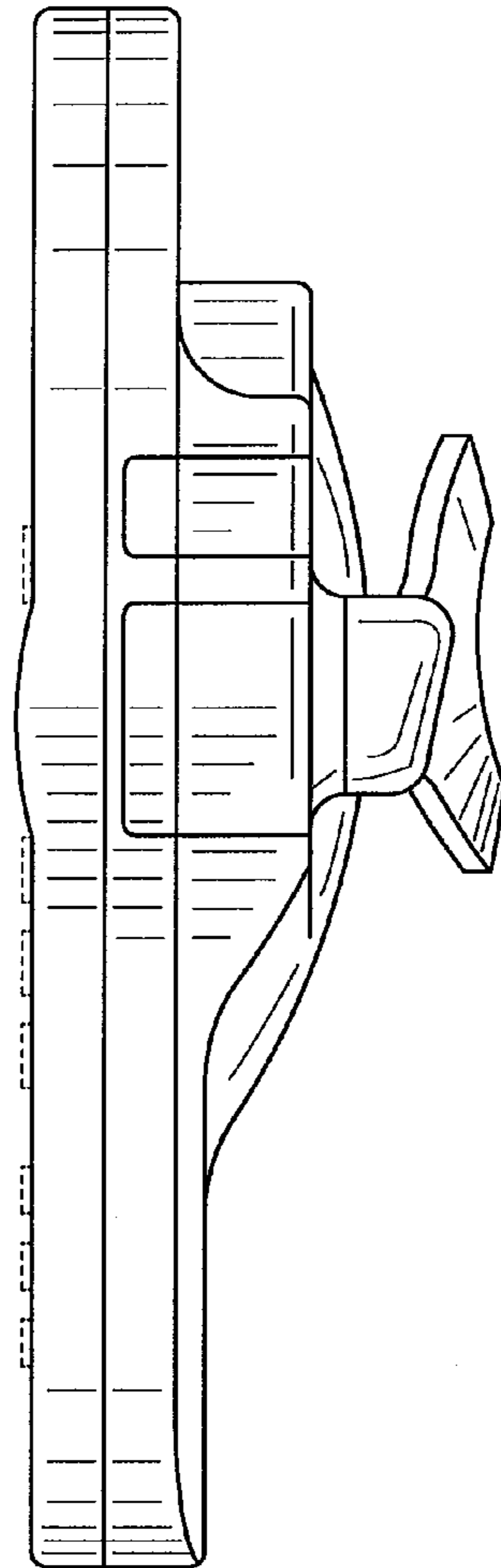
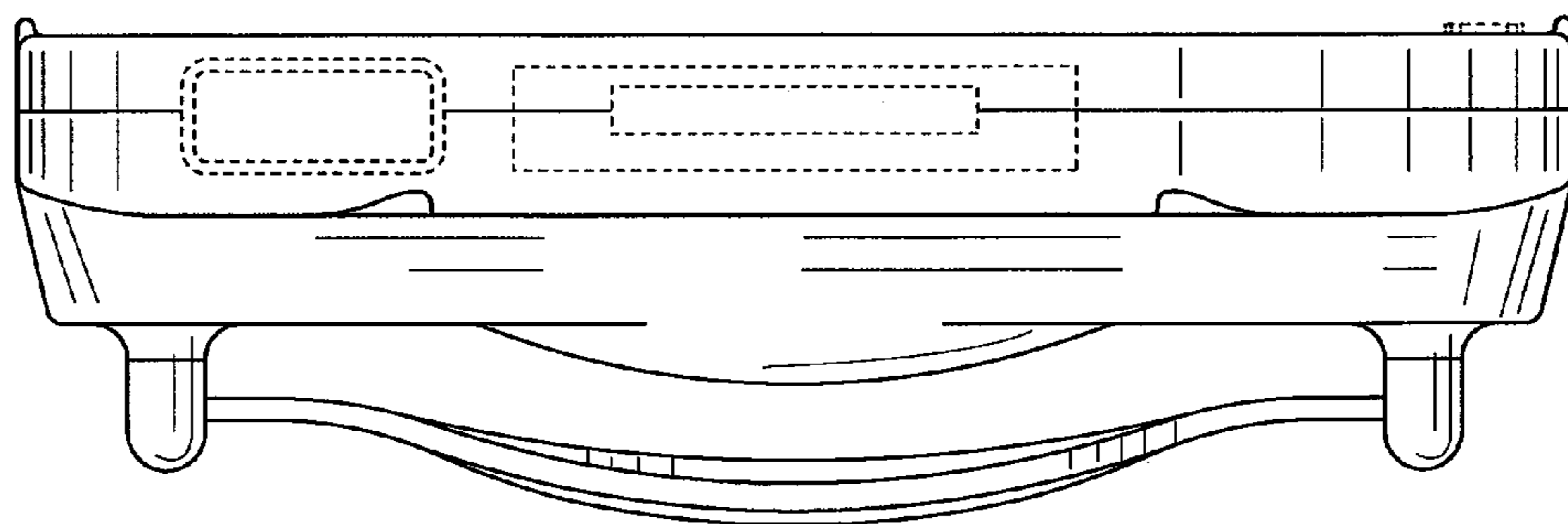


FIG.7



**FIG.8**

