



US00D594002S

(12) **United States Design Patent**
Kettula

(10) **Patent No.:** **US D594,002 S**
(45) **Date of Patent:** **** Jun. 9, 2009**

(54) **HANDSFREE SPEAKERPHONE**

(75) Inventor: **Jan Kettula**, Espoo (FI)

(73) Assignee: **Nokia Corporation**, Espoo (FI)

(**) Term: **14 Years**

(21) Appl. No.: **29/299,824**

(22) Filed: **Jan. 4, 2008**

(30) **Foreign Application Priority Data**

Jul. 4, 2007 (FI) M20070132

(51) **LOC (9) Cl.** **14-02**

(52) **U.S. Cl.** **D14/240**

(58) **Field of Classification Search** D14/356,
D14/358, 233, 240, 242, 300, 348, 388, 433,
D14/155, 205, 210, 215; D13/184, 137.2,
D13/107, 108, 144; 360/69; 379/220.1,
379/220.14, 25, 93.09, 93.15, 156, 900, 338,
379/329; 381/124; 607/36; 307/10.1; 439/668
See application file for complete search history.

(56) **References Cited**

U.S. PATENT DOCUMENTS

D451,495 S * 12/2001 McGurty D14/214

D454,110 S *	3/2002	Andre et al.	D13/110
D493,165 S *	7/2004	Kiple et al.	D14/242
D498,471 S *	11/2004	Solland et al.	D14/215
D520,502 S *	5/2006	Xu et al.	D14/356
D534,897 S *	1/2007	Bhakta	D14/214
D537,071 S *	2/2007	Chen	D14/215
D542,784 S *	5/2007	Franck et al.	D14/240
D563,943 S *	3/2008	Watanabe	D14/188
D572,250 S *	7/2008	Yang	D14/358
D575,729 S *	8/2008	Nomi et al.	D13/107
D576,164 S *	9/2008	Takahashi	D14/385

* cited by examiner

Primary Examiner—Charles A Rademaker

Assistant Examiner—Charles D Hanson

(74) *Attorney, Agent, or Firm*—Banner & Witcoff, Ltd.

(57) **CLAIM**

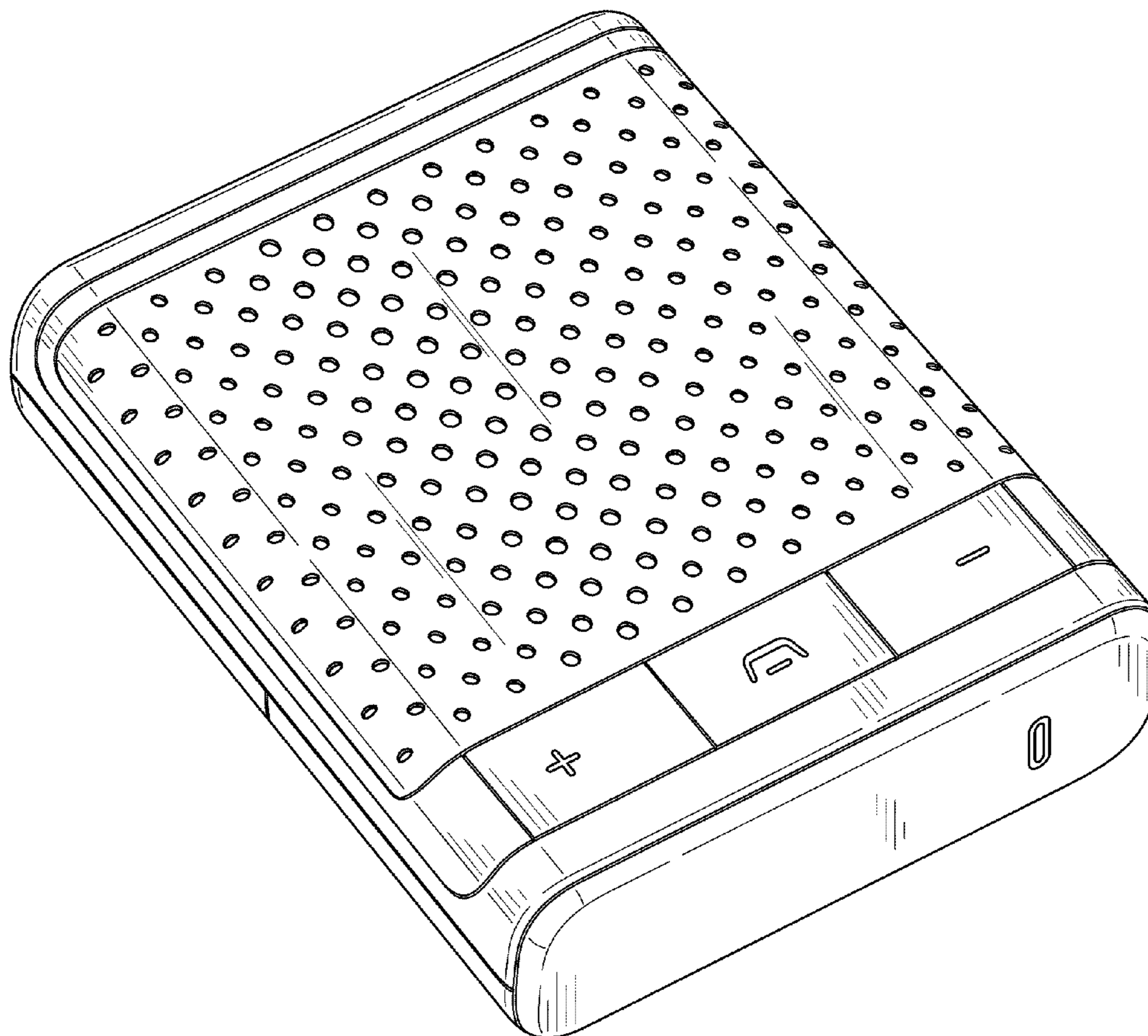
The ornamental design for a handsfree speakerphone, as shown and described.

DESCRIPTION

FIG. 1 is a top perspective view of a handsfree speakerphone showing my new design; and,

FIG. 2 is a bottom perspective view thereof.

1 Claim, 2 Drawing Sheets



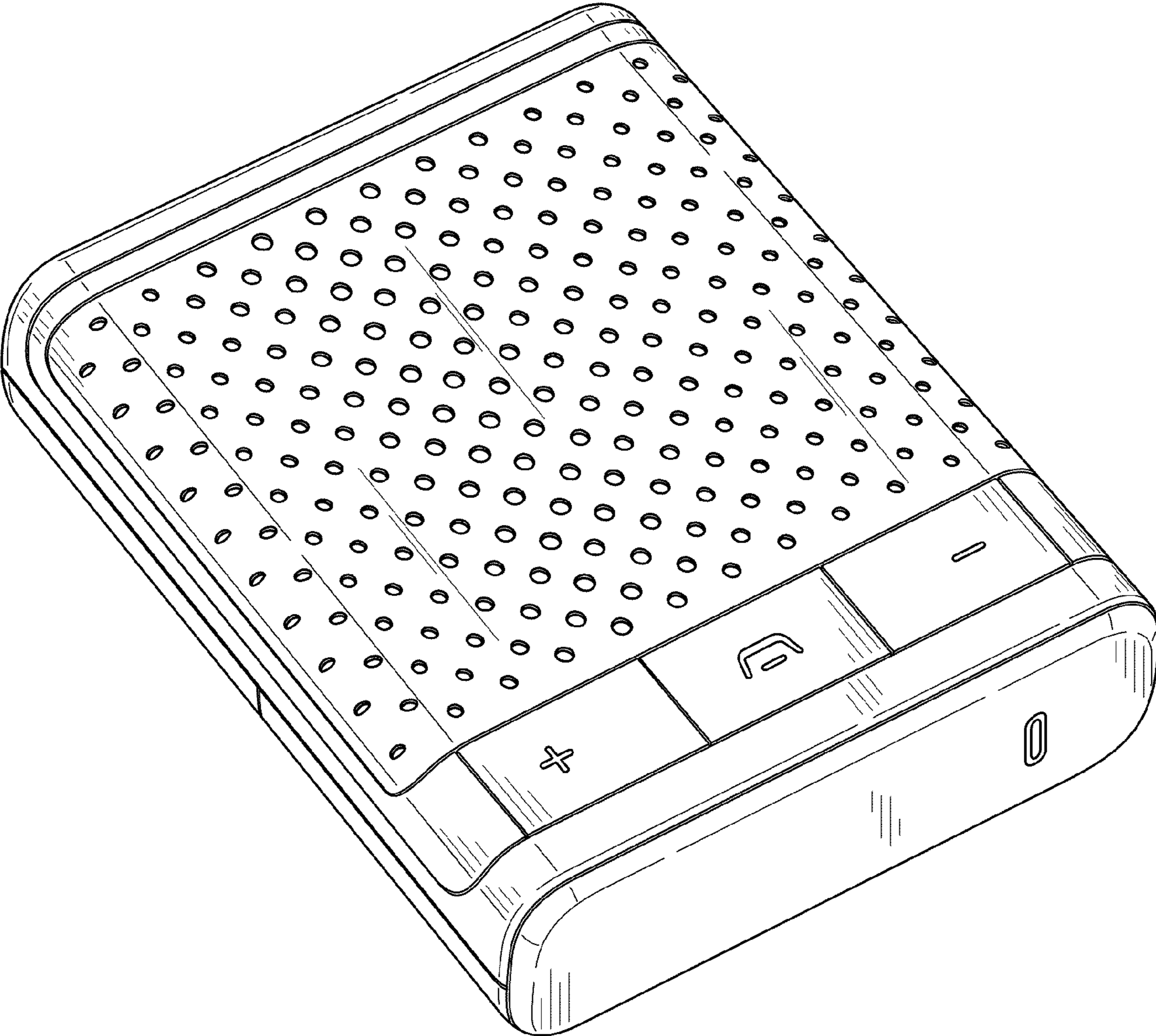


FIG. 1

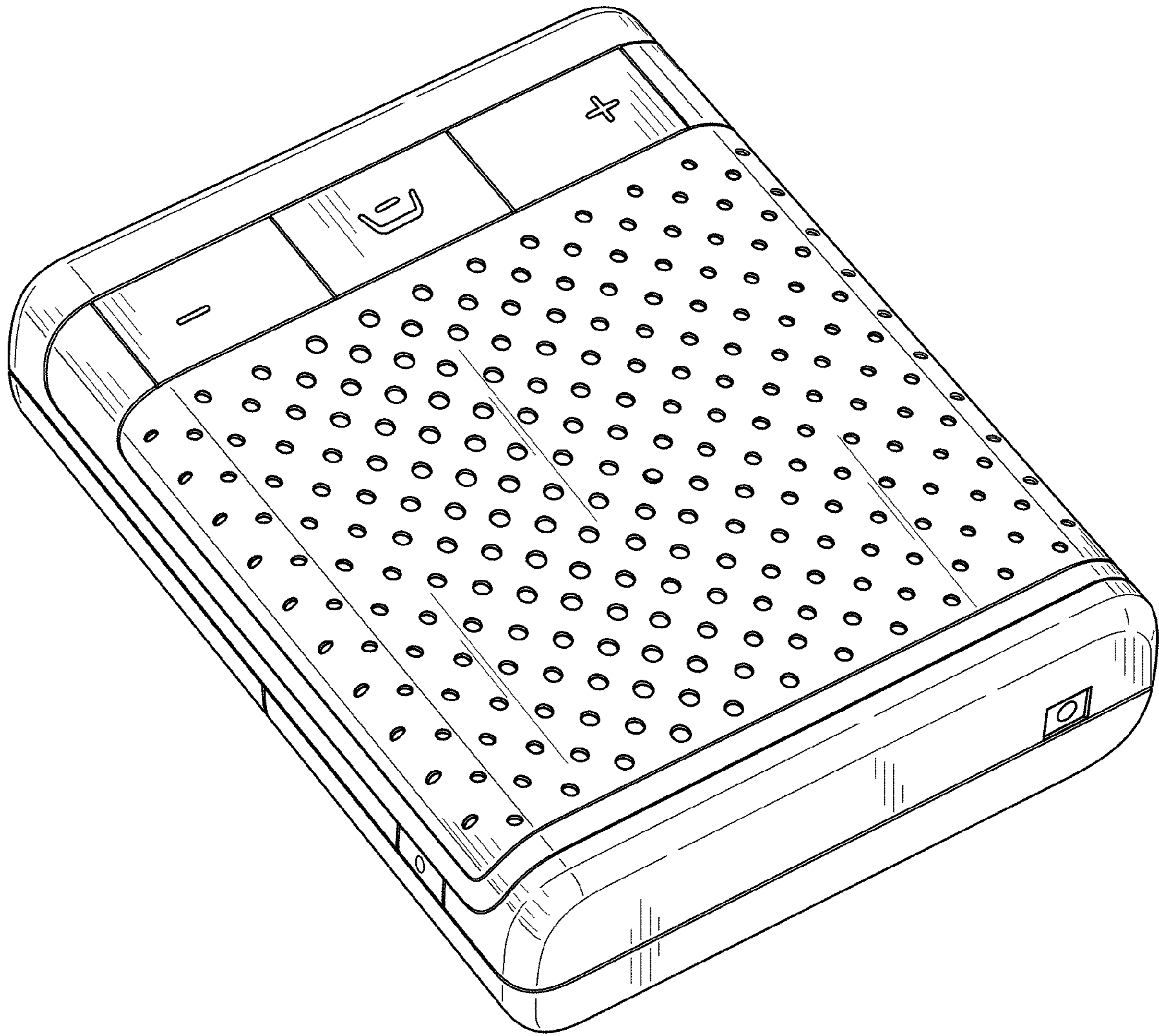


FIG. 2