



US00D594001S

(12) **United States Design Patent**
Sexton

(10) **Patent No.:** **US D594,001 S**
(45) **Date of Patent:** **** Jun. 9, 2009**

(54) **FLAT PANEL MOUNTING SYSTEM**

(75) Inventor: **James S. Sexton**, San Ramon, CA (US)

(73) Assignee: **Z-Line Designs, Inc.**, San Ramon, CA (US)

(**) Term: **14 Years**

(21) Appl. No.: **29/321,386**

(22) Filed: **Jul. 15, 2008**

(51) **LOC (9) Cl.** **14-03**

(52) **U.S. Cl.** **D14/239**

(58) **Field of Classification Search** D14/125-134, D14/239, 371, 136, 374-377; D8/363, 373, D8/349, 394; 248/465, 917-924, 123.11; 348/825, 827, 836, 837, 838, 180, 184, 325, 348/739; 600/443; D6/477-479, 407, 474, D6/460, 461, 468; 312/7.2; 341/12; 345/87, 345/104, 133, 156, 168, 169, 173; 720/605, 720/669, 600, 655; 369/99, 197; 455/344-347; 349/1, 2, 11, 62; 108/59, 91, 92, 96; 211/40, 211/41.12, 42, 49.1, 50, 85.2, 90.04, 187, 211/190, 119.003, 134.153, 87.01, 71.01
See application file for complete search history.

(56) **References Cited**

U.S. PATENT DOCUMENTS

D494,596 S * 8/2004 Pfister D14/451
D553,125 S * 10/2007 Ly Hau et al. D14/239
D560,670 S * 1/2008 Anderson et al. D14/451
D560,671 S * 1/2008 Muday et al. D14/451

D560,672 S * 1/2008 Muday et al. D14/451
D570,355 S * 6/2008 Muday et al. D14/451
D570,852 S * 6/2008 Muday et al. D14/451
D574,386 S * 8/2008 Bailo D14/451
D574,698 S * 8/2008 Grey et al. D14/451
D575,294 S * 8/2008 Stenhouse et al. D14/451

* cited by examiner

Primary Examiner—Rapahel Barkai

Assistant Examiner—Randall H Gholson

(74) *Attorney, Agent, or Firm*—Townsend and Townsend and Crew LLP

(57) **CLAIM**

The ornamental design for a flat panel mounting system, as shown and described.

DESCRIPTION

FIG. 1 is a perspective view of a flat panel mounting system showing my new design;

FIG. 2 is a front elevational view thereof;

FIG. 3 is a rear elevational view thereof;

FIG. 4 is a top plan view thereof;

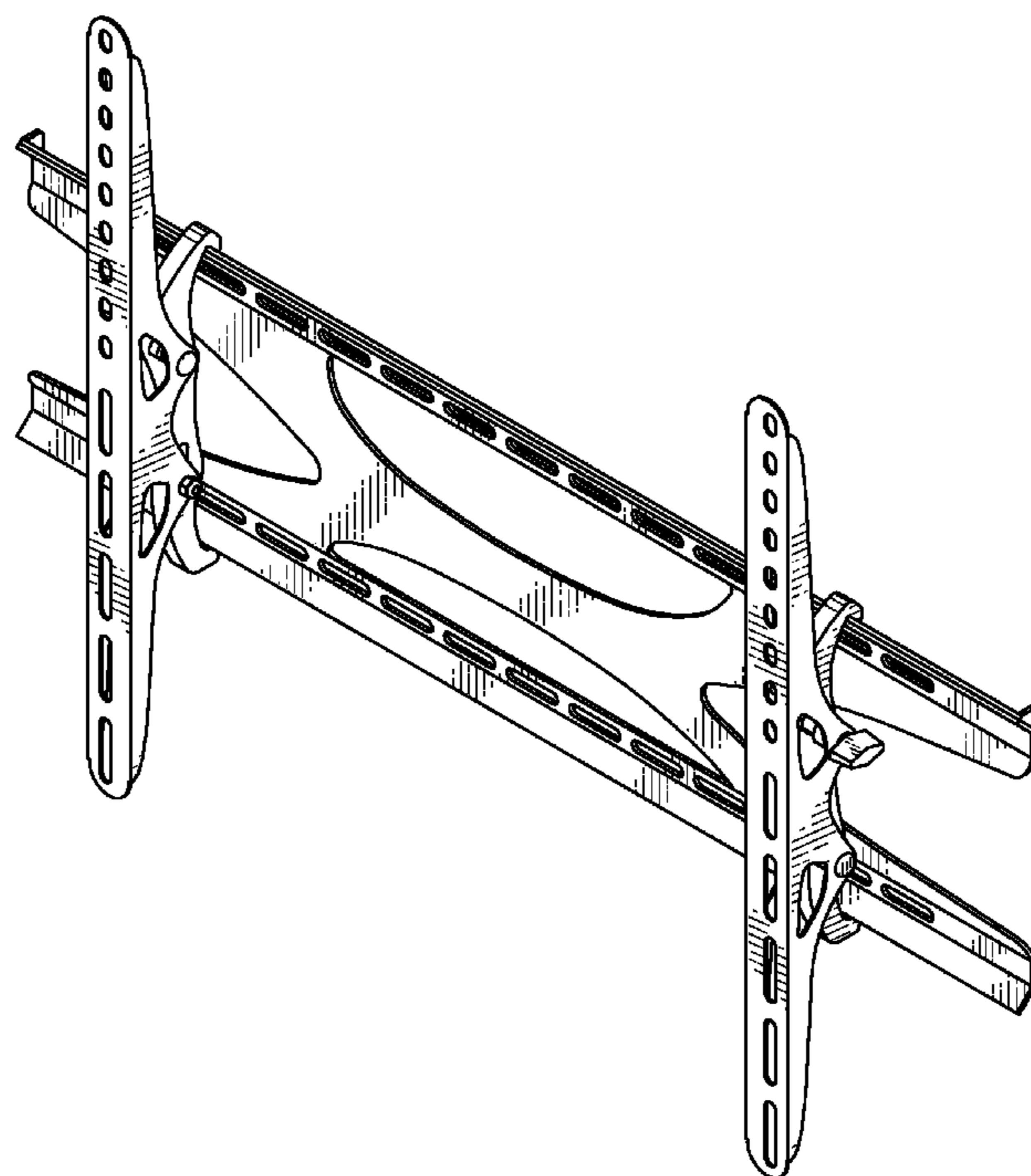
FIG. 5 is a bottom plan view thereof;

FIG. 6 is a left side elevational view thereof; and

FIG. 7 is a right side elevational view thereof; and,

FIG. 8 is an exploded disassembled perspective view corresponding to a portion of the flat panel mounting system of FIG. 6.

1 Claim, 5 Drawing Sheets



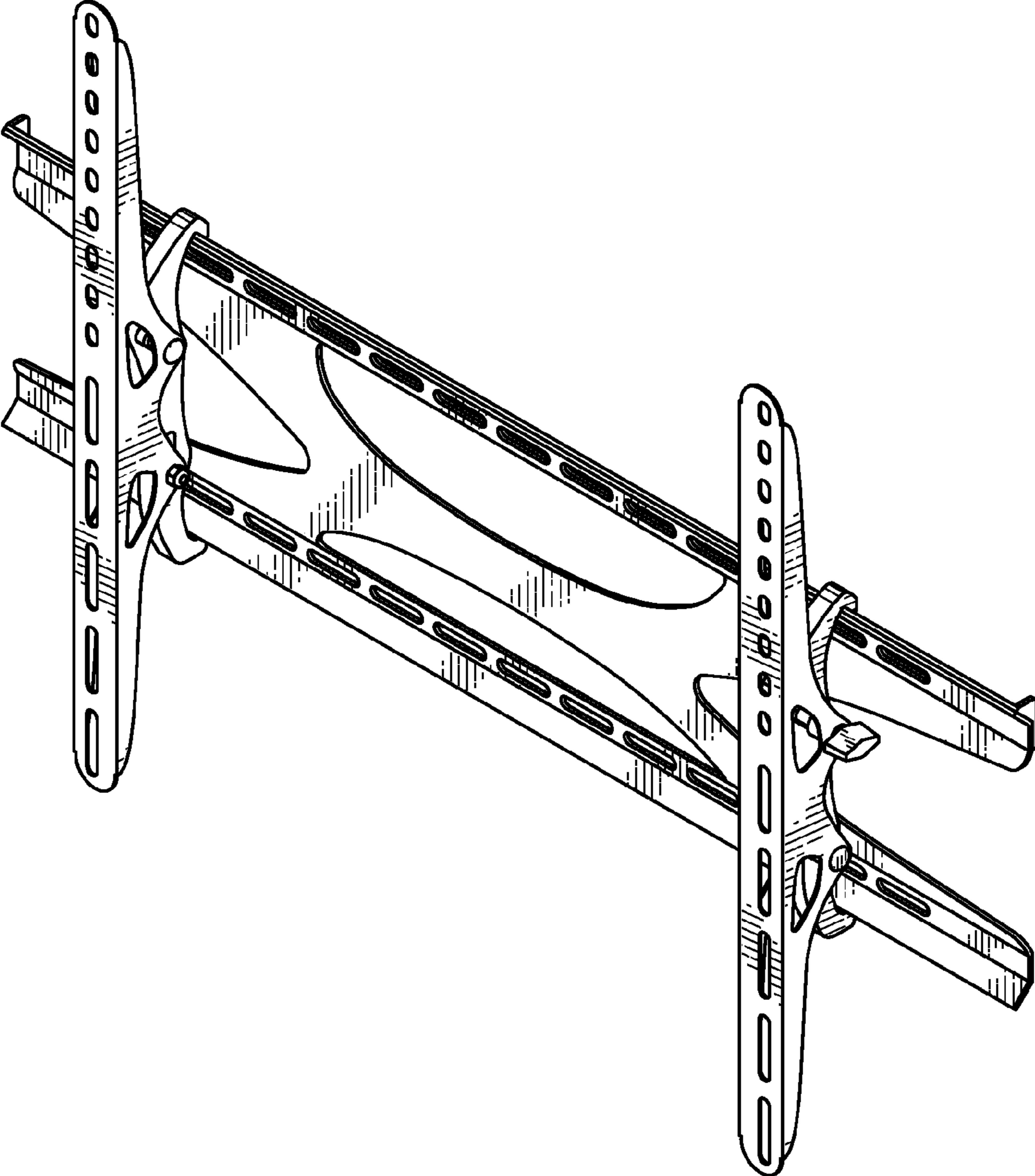


FIG. 1

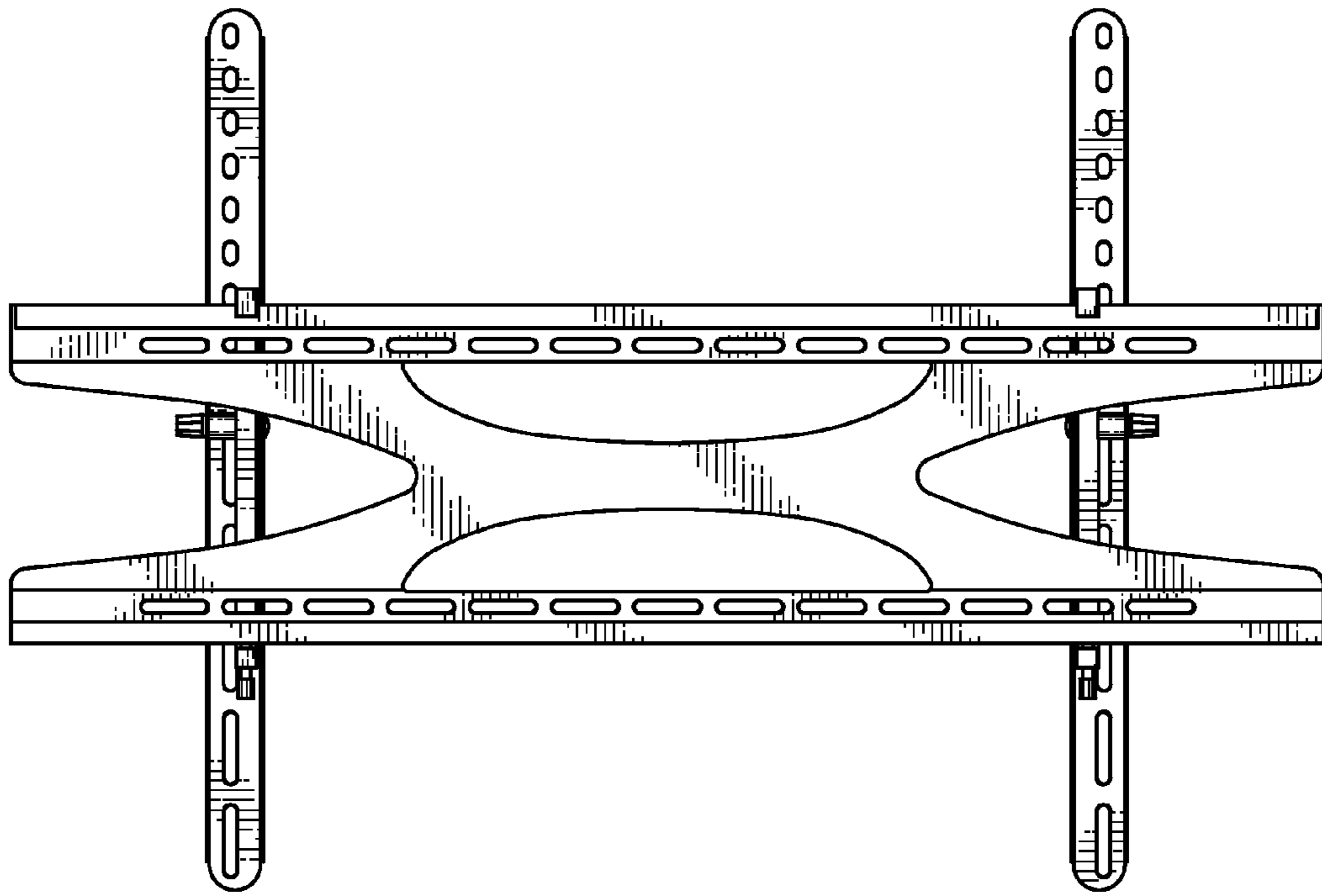


FIG. 2

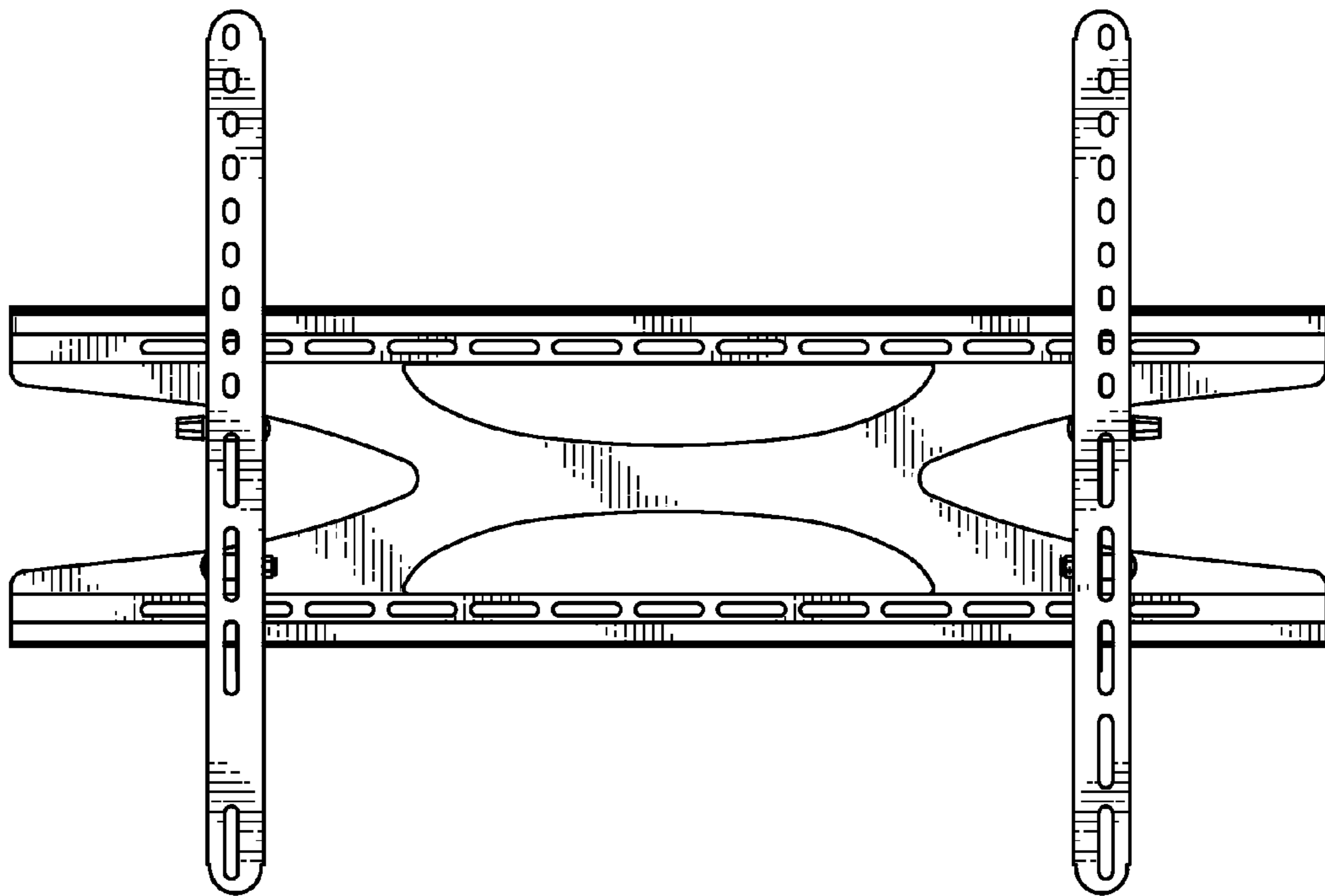


FIG. 3

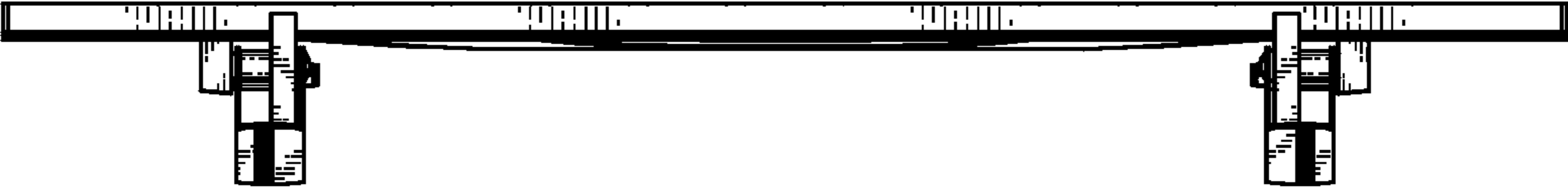


FIG. 4



FIG. 5

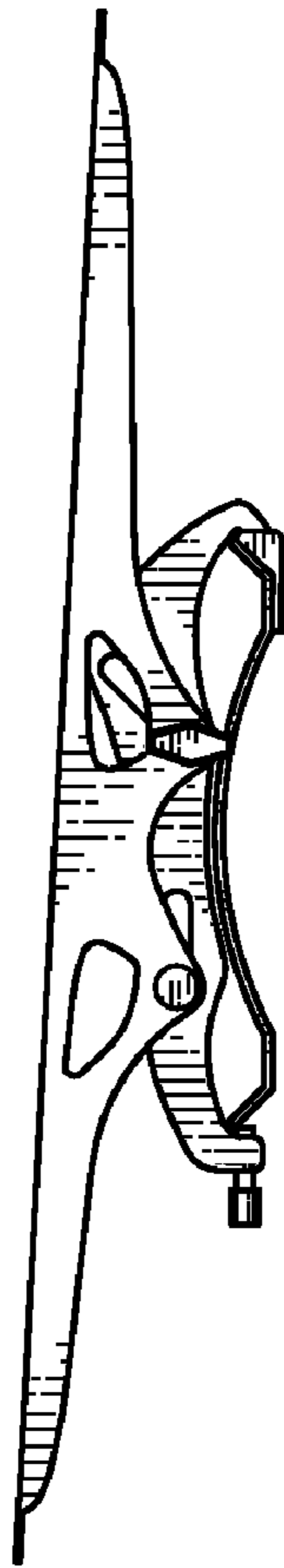


FIG. 6

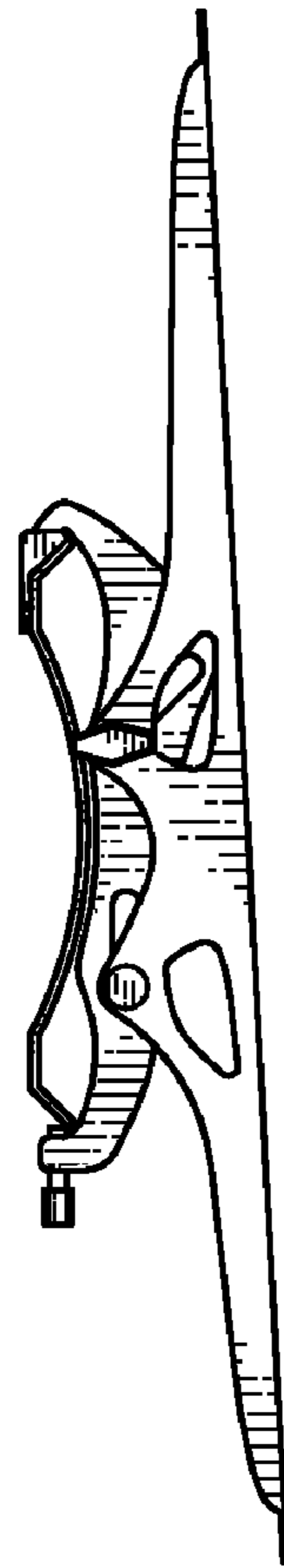


FIG. 7

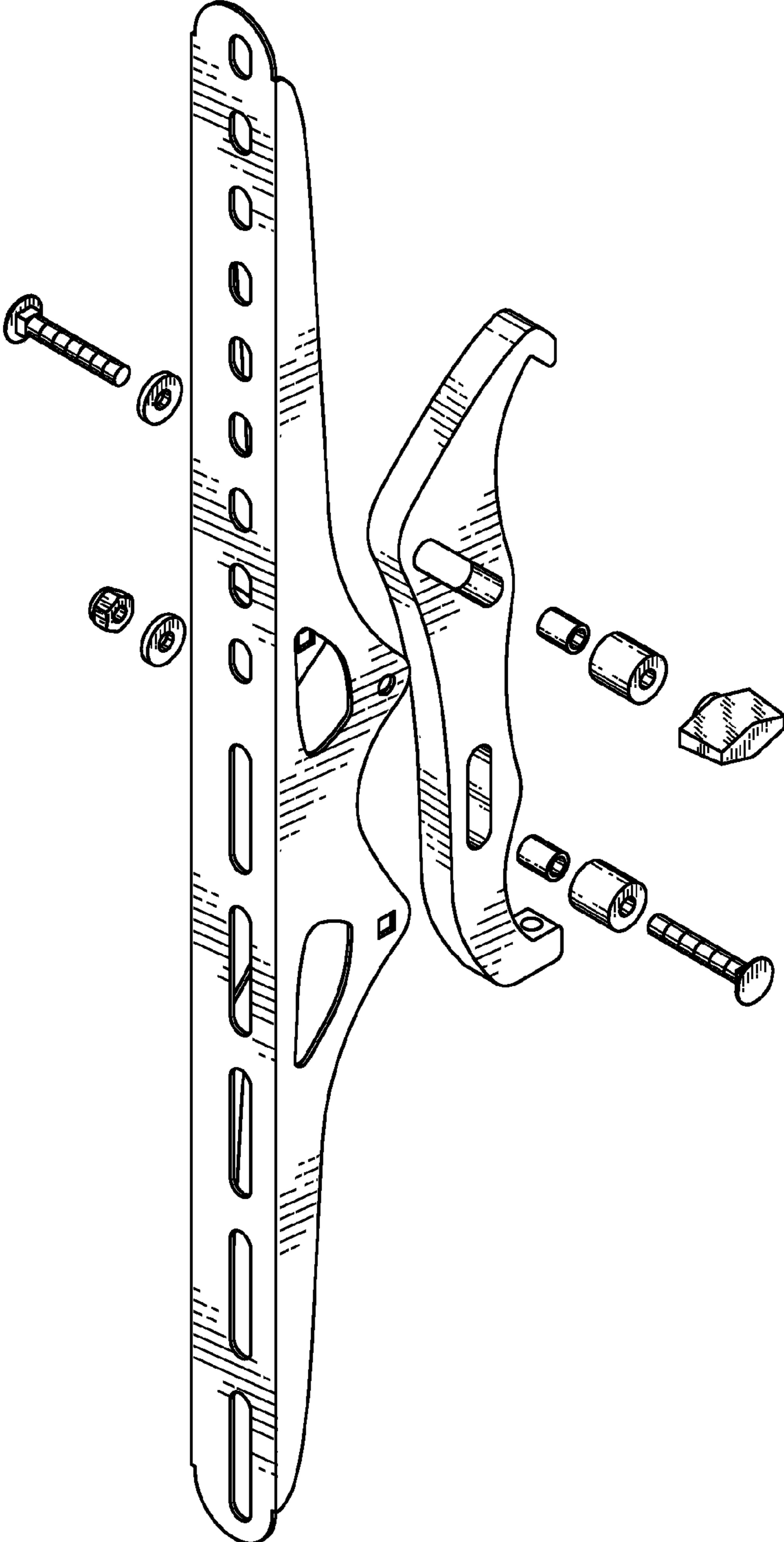


FIG. 8