

US00D593997S

(12) **United States Design Patent**  
**Mauritzsson**

(10) **Patent No.:** **US D593,997 S**  
(45) **Date of Patent:** **\*\* Jun. 9, 2009**

(54) **HANDSFREE EARPIECE**  
(75) Inventor: **Daniel Mauritzsson**, Malmö (SE)  
(73) Assignee: **Sony Ericsson Mobile Communications AB**, Lund (SE)  
(\*\*) Term: **14 Years**

D554,627 S \* 11/2007 Gondo ..... D14/223  
D555,152 S \* 11/2007 Wang ..... D14/223  
7,349,550 B2 \* 3/2008 Oliveira et al. .... 381/380  
D567,217 S \* 4/2008 Kamo et al. .... D14/205  
D573,978 S \* 7/2008 Ledbetter et al. .... D14/205  
D576,154 S \* 9/2008 Ledbetter et al. .... D14/223  
D579,005 S \* 10/2008 Wilhelmsen ..... D14/223  
D579,444 S \* 10/2008 Ewert et al. .... D14/223  
D586,332 S \* 2/2009 Ewert et al. .... D14/223

(21) Appl. No.: **29/325,839**  
(22) Filed: **Oct. 7, 2008**

\* cited by examiner

(30) **Foreign Application Priority Data**  
May 20, 2008 (EM) ..... 000937198-0002  
May 20, 2008 (EM) ..... 000937198-0003

*Primary Examiner*—Paula Greene  
(74) *Attorney, Agent, or Firm*—Renner, Otto, Boisselle & Sklar, LLP

(51) **LOC (9) Cl.** ..... **14-01**  
(52) **U.S. Cl.** ..... **D14/223; D14/205**  
(58) **Field of Classification Search** ..... D14/205,  
D14/206, 223, 142, 188, 192; 181/128, 129,  
181/130, 135; 379/430, 431, 420.04; 381/380,  
381/381, 370, 371; D24/174; 455/569.1,  
455/575.1  
See application file for complete search history.

(57) **CLAIM**

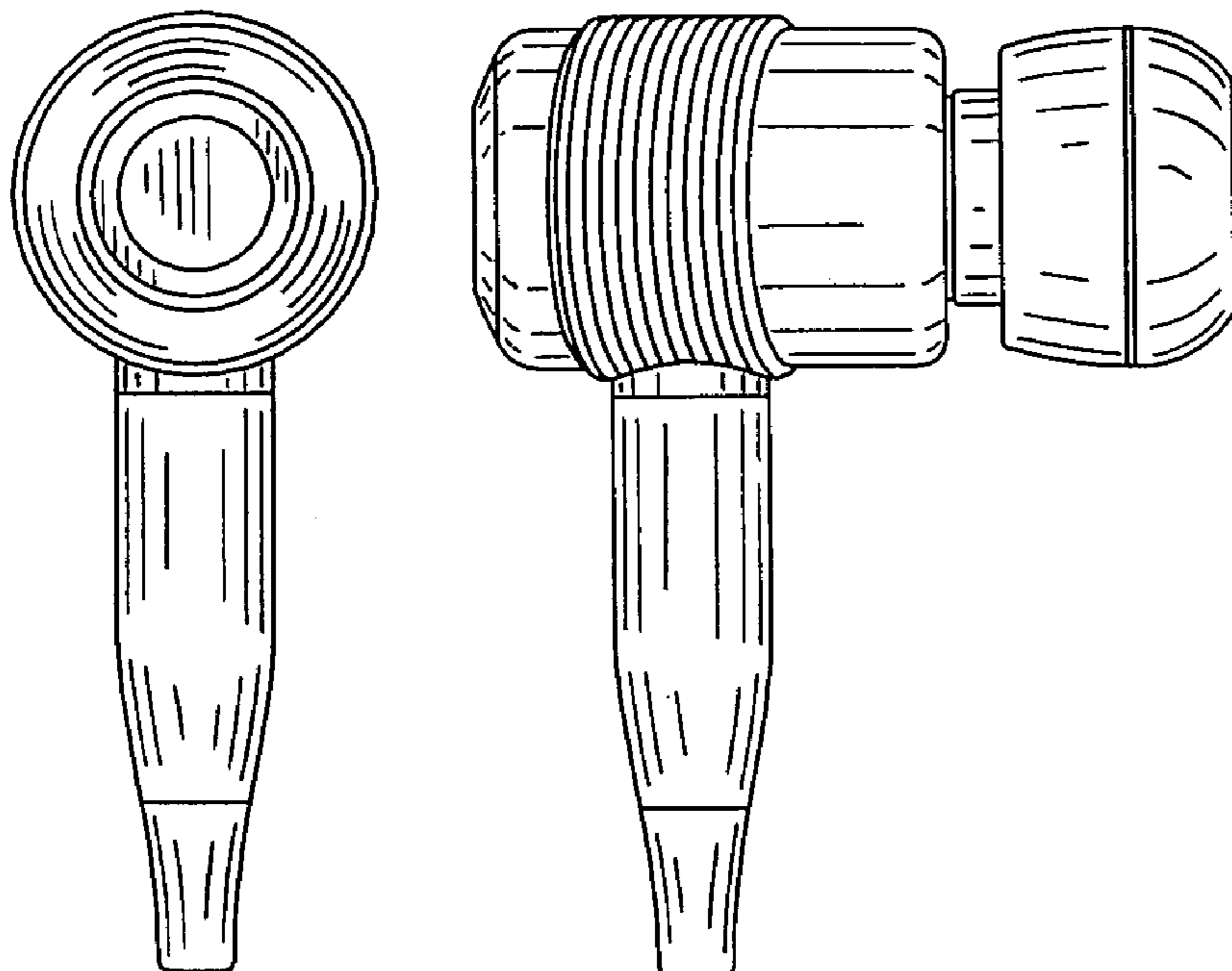
The ornamental design for a handsfree earpiece, as shown and described.

**DESCRIPTION**

FIG. 1 is a front view of a handsfree earpiece showing my design;  
FIG. 2 is a rear view thereof;  
FIG. 3 is a left side view thereof;  
FIG. 4 is a right side view thereof;  
FIG. 5 is a top view thereof;  
FIG. 6 is a bottom view thereof; and,  
FIG. 7 is a perspective view thereof.

(56) **References Cited**  
U.S. PATENT DOCUMENTS  
5,867,582 A \* 2/1999 Nagayoshi ..... 381/370  
D463,397 S \* 9/2002 Bergfeldt ..... D14/205  
D474,171 S \* 5/2003 Suzuki ..... D14/206  
6,704,429 B2 \* 3/2004 Lin ..... 381/380

**1 Claim, 1 Drawing Sheet**



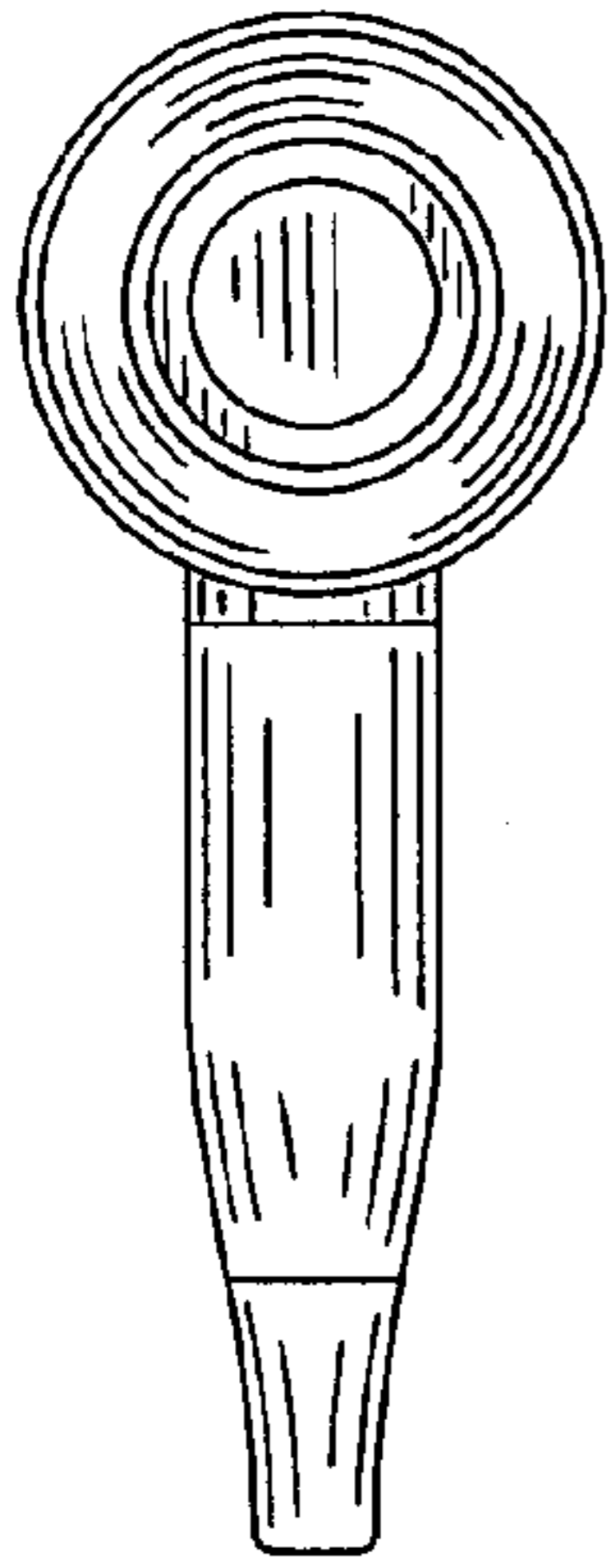


FIG. 1

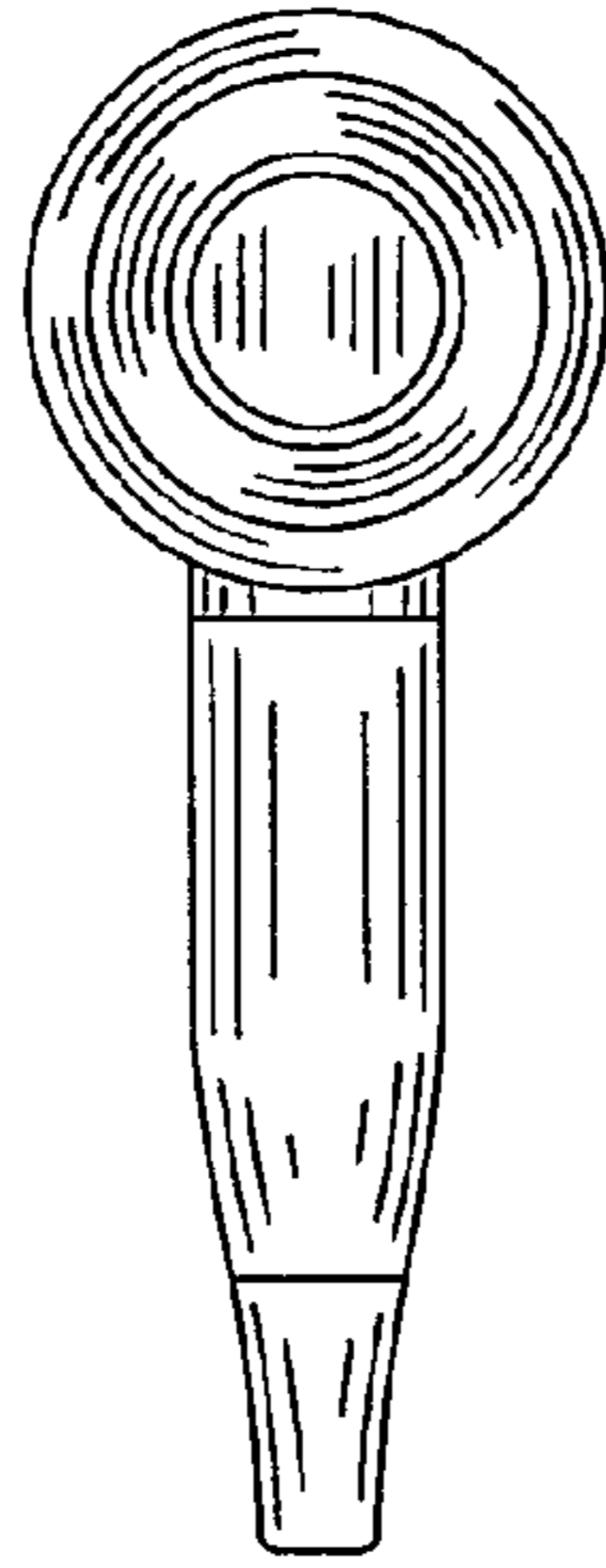


FIG. 2

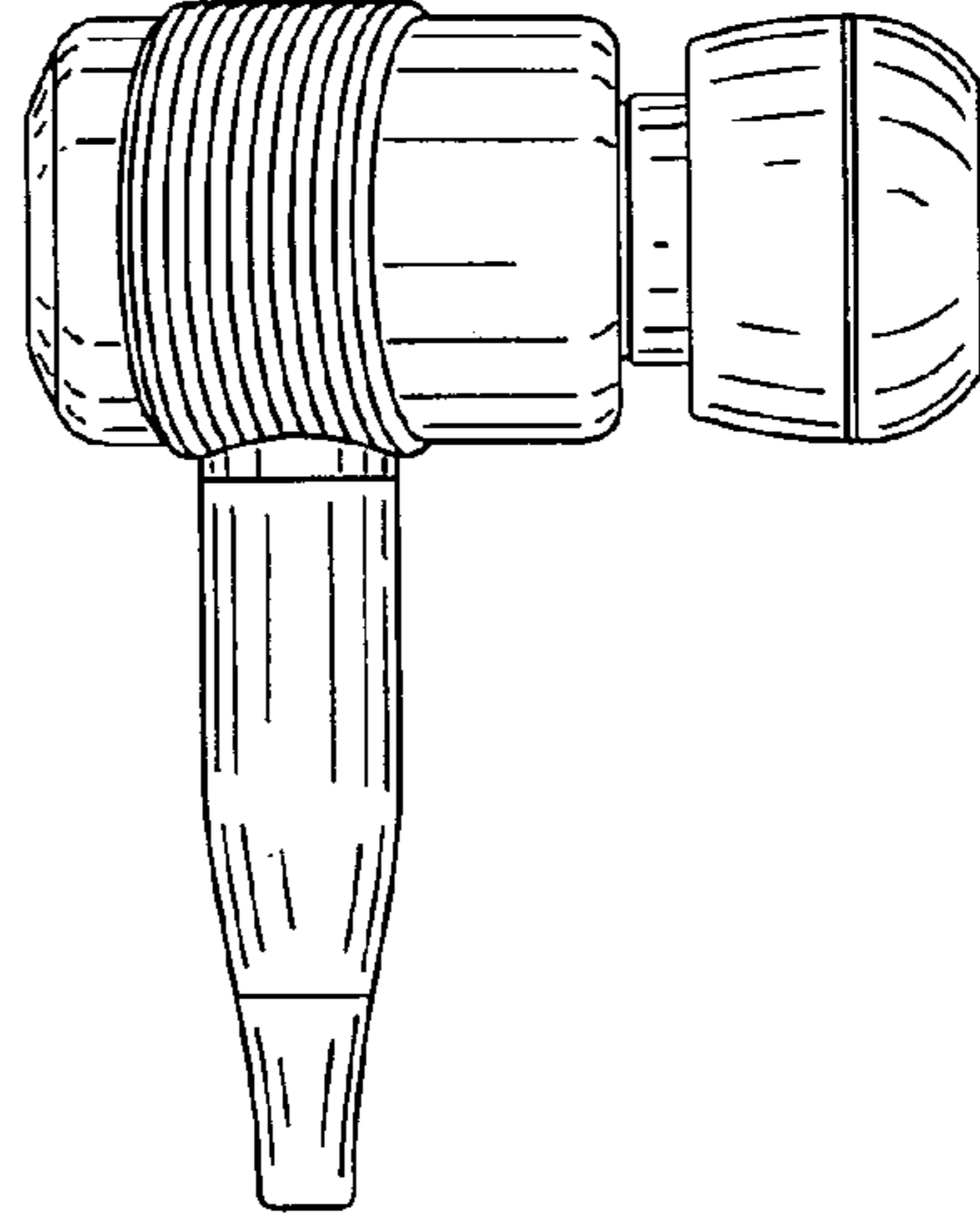


FIG. 3

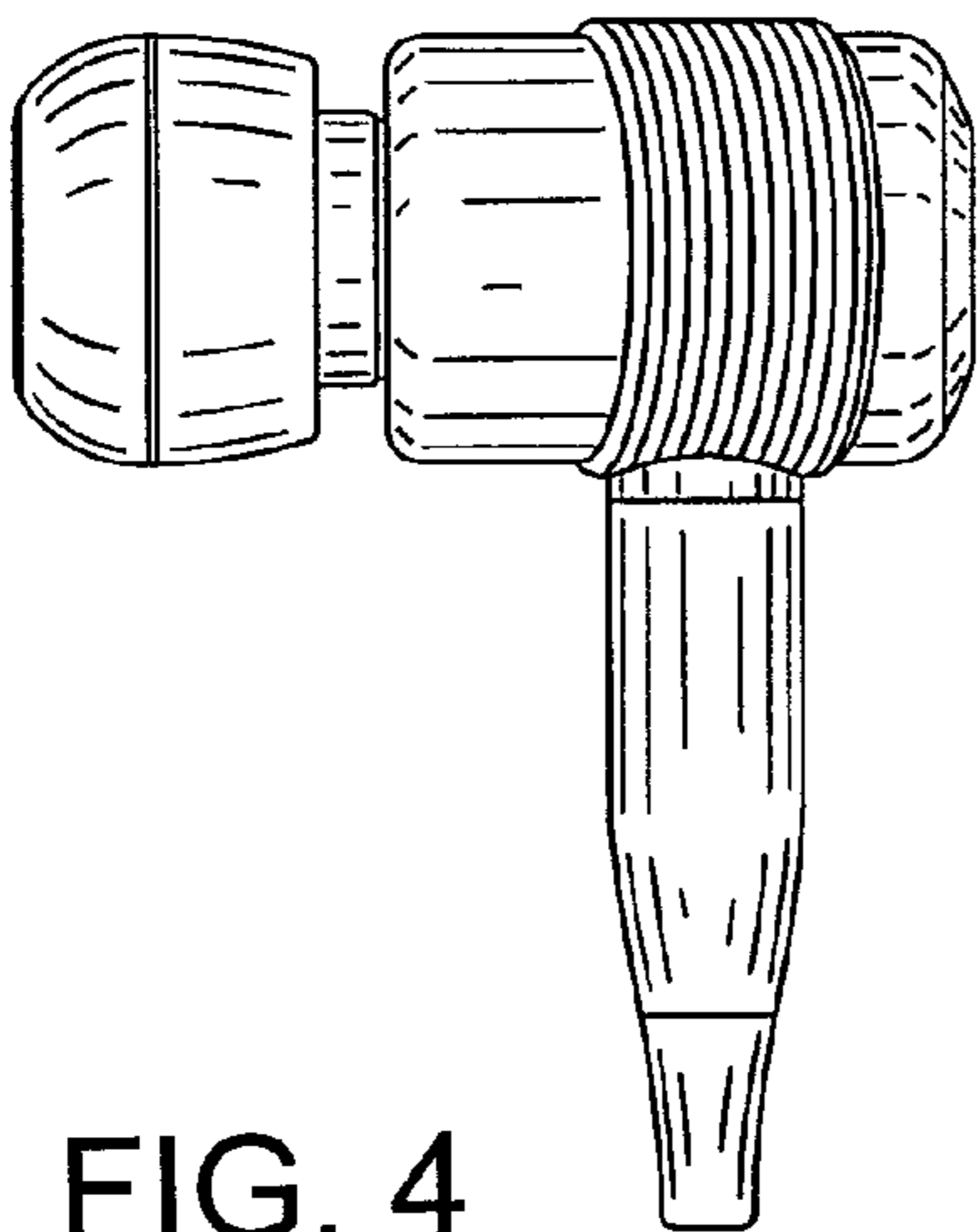


FIG. 4

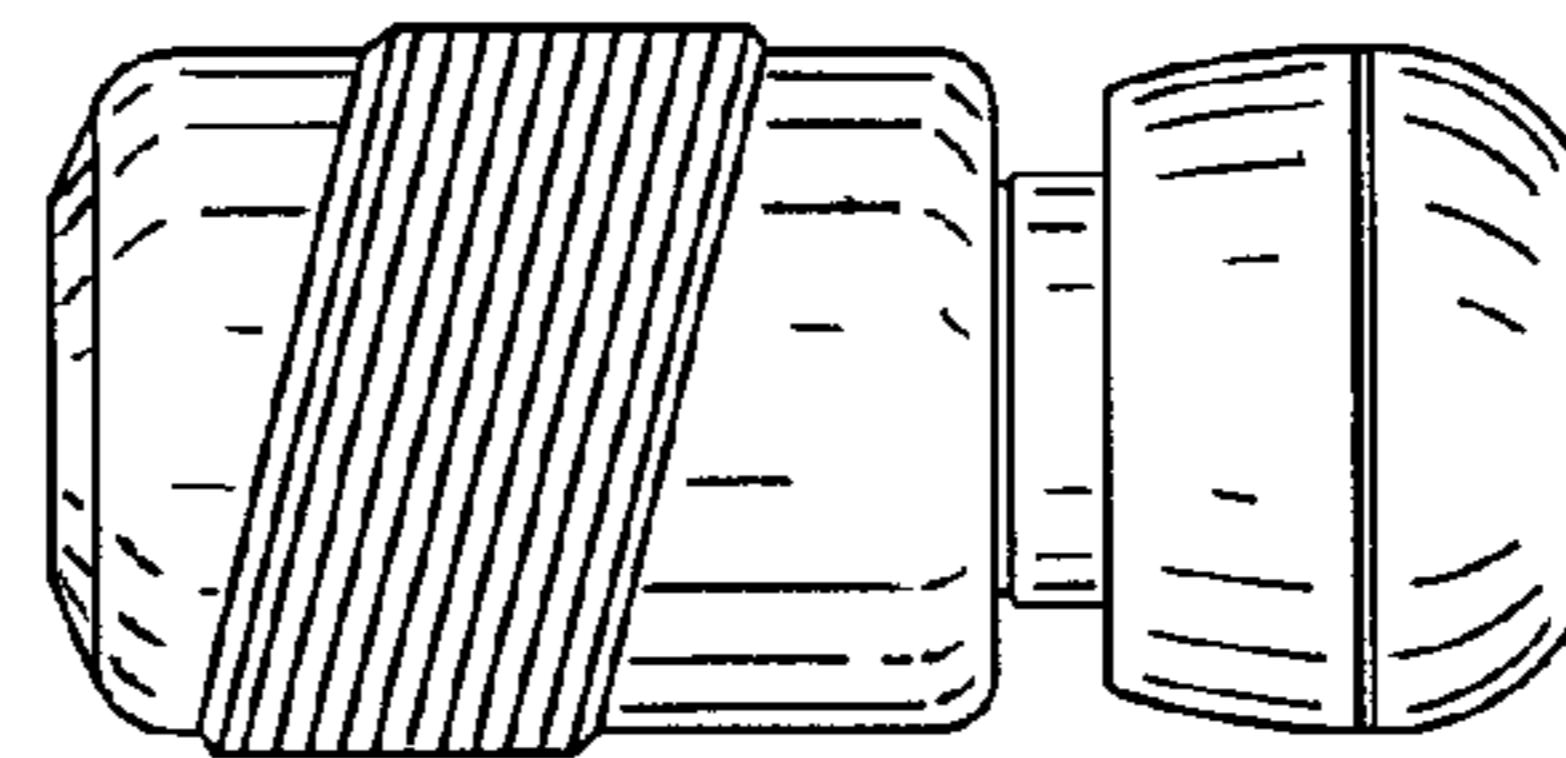


FIG. 5

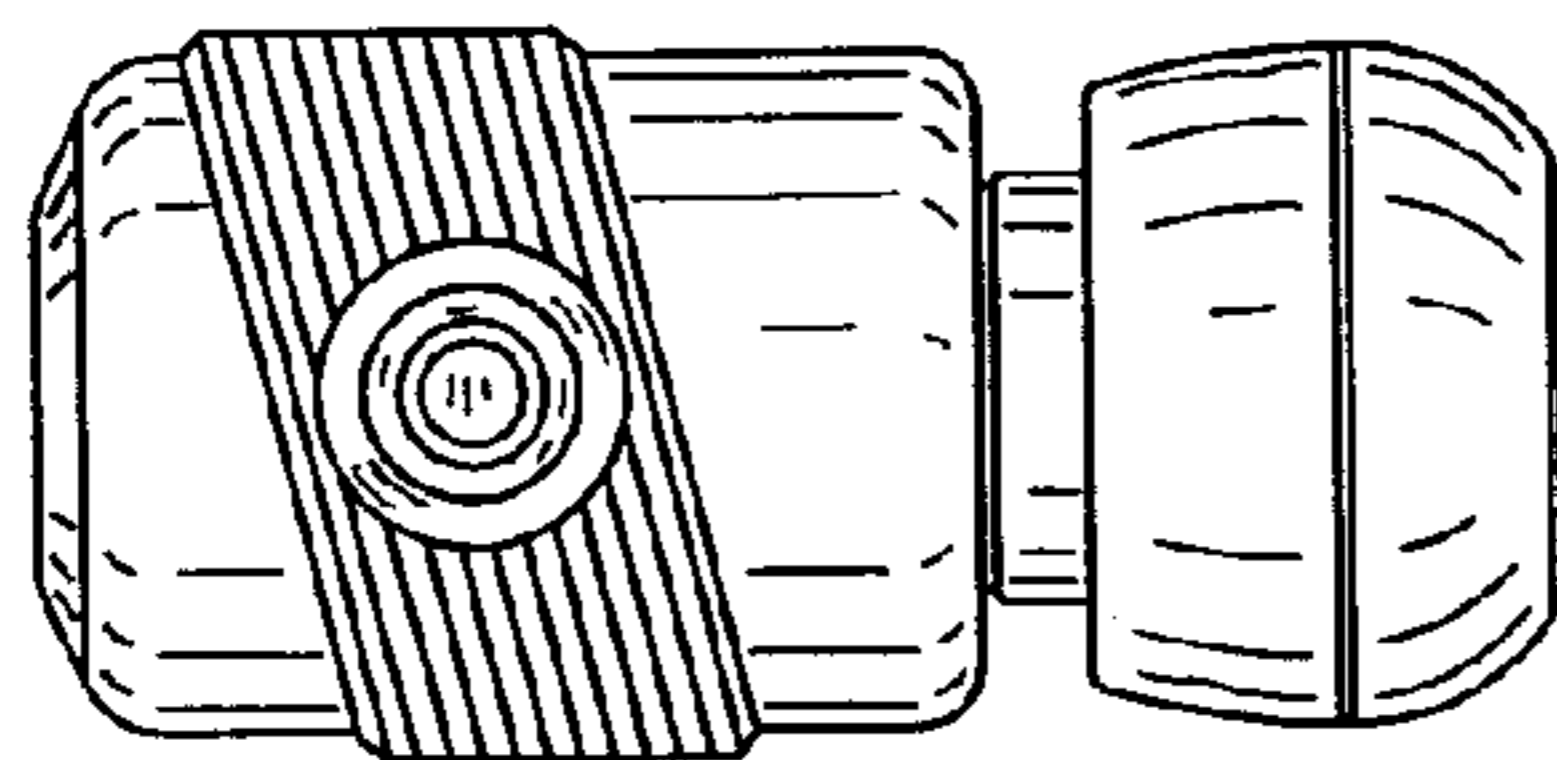


FIG. 6

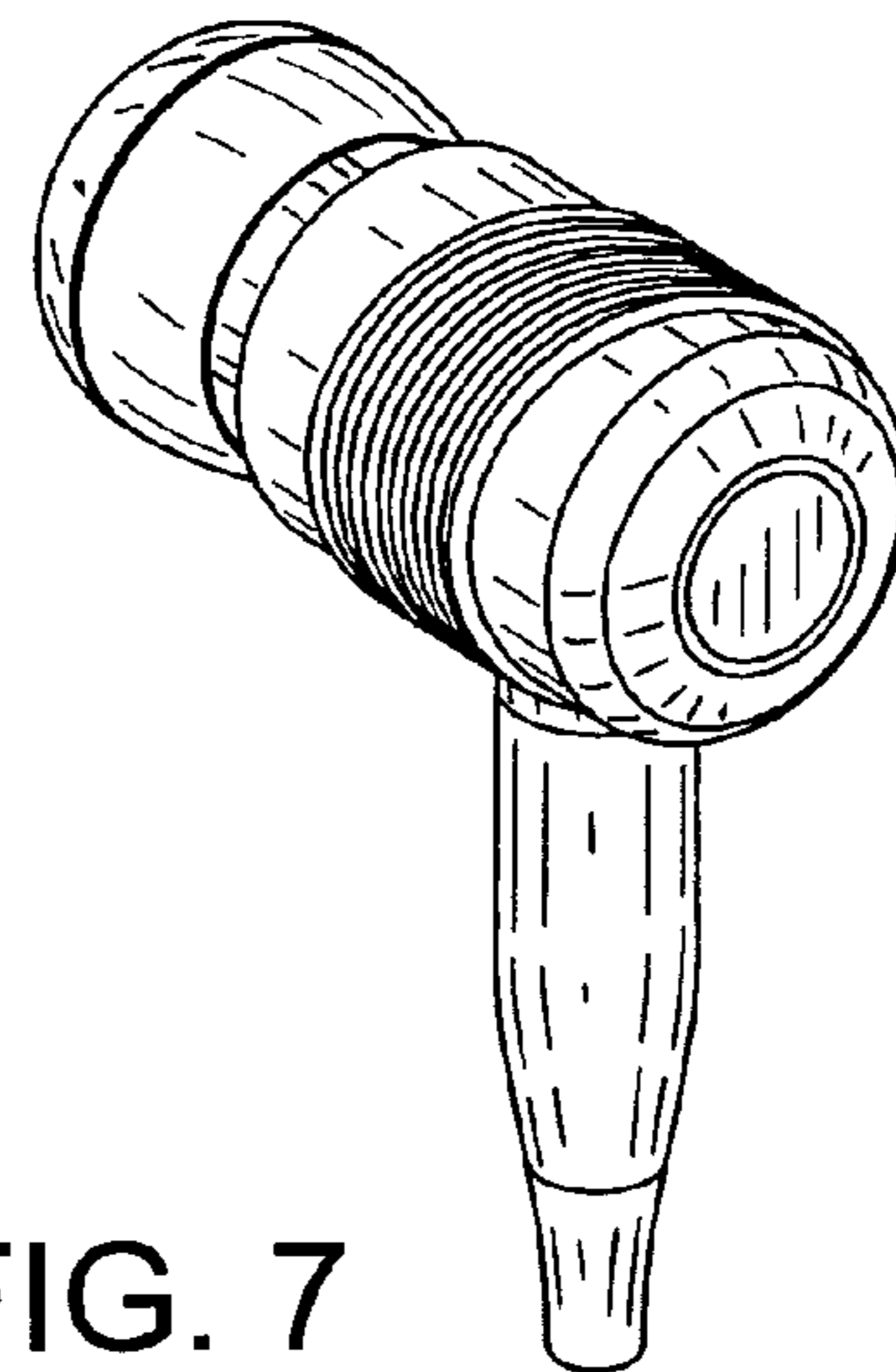


FIG. 7