



(12) **United States Design Patent**  
**Andre et al.**

(10) **Patent No.:** **US D593,994 S**  
(45) **Date of Patent:** **\*\* Jun. 9, 2009**

(54) **MEDIA DEVICE**

(75) Inventors: **Bartley K. Andre**, Menlo Park, CA (US); **Daniel J. Coster**, San Francisco, CA (US); **Daniele De Iuliis**, San Francisco, CA (US); **Richard P. Howarth**, San Francisco, CA (US); **Jonathan P. Ive**, San Francisco, CA (US); **Steve Jobs**, San Francisco, CA (US); **Duncan Robert Kerr**, San Francisco, CA (US); **Shin Nishibori**, San Francisco, CA (US); **Matthew Dean Rohrbach**, San Francisco, CA (US); **Douglas B. Satzger**, Menlo Park, CA (US); **Calvin Q. Seid**, Palo Alto, CA (US); **Christopher J. Stringer**, Portola Valley, CA (US); **Eugene Antony Whang**, San Francisco, CA (US); **Rico Zorkendorfer**, San Francisco, CA (US)

(73) Assignee: **Apple Inc.**, Cupertino, CA (US)

(\*\*) Term: **14 Years**

(21) Appl. No.: **29/327,484**

(22) Filed: **Nov. 6, 2008**

**Related U.S. Application Data**

(60) Division of application No. 29/304,037, filed on Feb. 22, 2008, now Pat. No. Des. 580,953, which is a continuation of application No. 29/265,520, filed on Sep. 1, 2006, now Pat. No. Des. 568,338.

(51) **LOC (9) Cl.** ..... **14-03**

(52) **U.S. Cl.** ..... **D14/203.7; D14/496**

(58) **Field of Classification Search** ..... D14/496, D14/401, 435, 474, 483, 217, 137, 138, 160, D14/168; 345/156, 169, 173-179, 905; 715/727-729, 715/864; 455/11.1, 7, 73, 344-347, 93, 95; 370/342-344; 369/1, 2, 6, 12; 463/43-47; 273/148 B

See application file for complete search history.

(56) **References Cited**

U.S. PATENT DOCUMENTS

D245,701 S \* 9/1977 Kinsinger ..... D16/221

(Continued)

FOREIGN PATENT DOCUMENTS

CN 3260632D 10/2002

(Continued)

OTHER PUBLICATIONS

U.S. Appl. No. 29/237,225, Andre et al., Media Device, filed Aug. 24, 2005.

(Continued)

*Primary Examiner*—Prabhakar Deshmukh

(74) *Attorney, Agent, or Firm*—Sterne, Kessler, Goldstein & Fox P.L.L.C.

(57) **CLAIM**

We claim the ornamental design for an media device, substantially as shown and described.

**DESCRIPTION**

FIG. 1 is a perspective view of a media device showing our new design.

FIG. 2 is a front view thereof;

FIG. 3 is a rear view thereof;

FIG. 4 is a top view thereof;

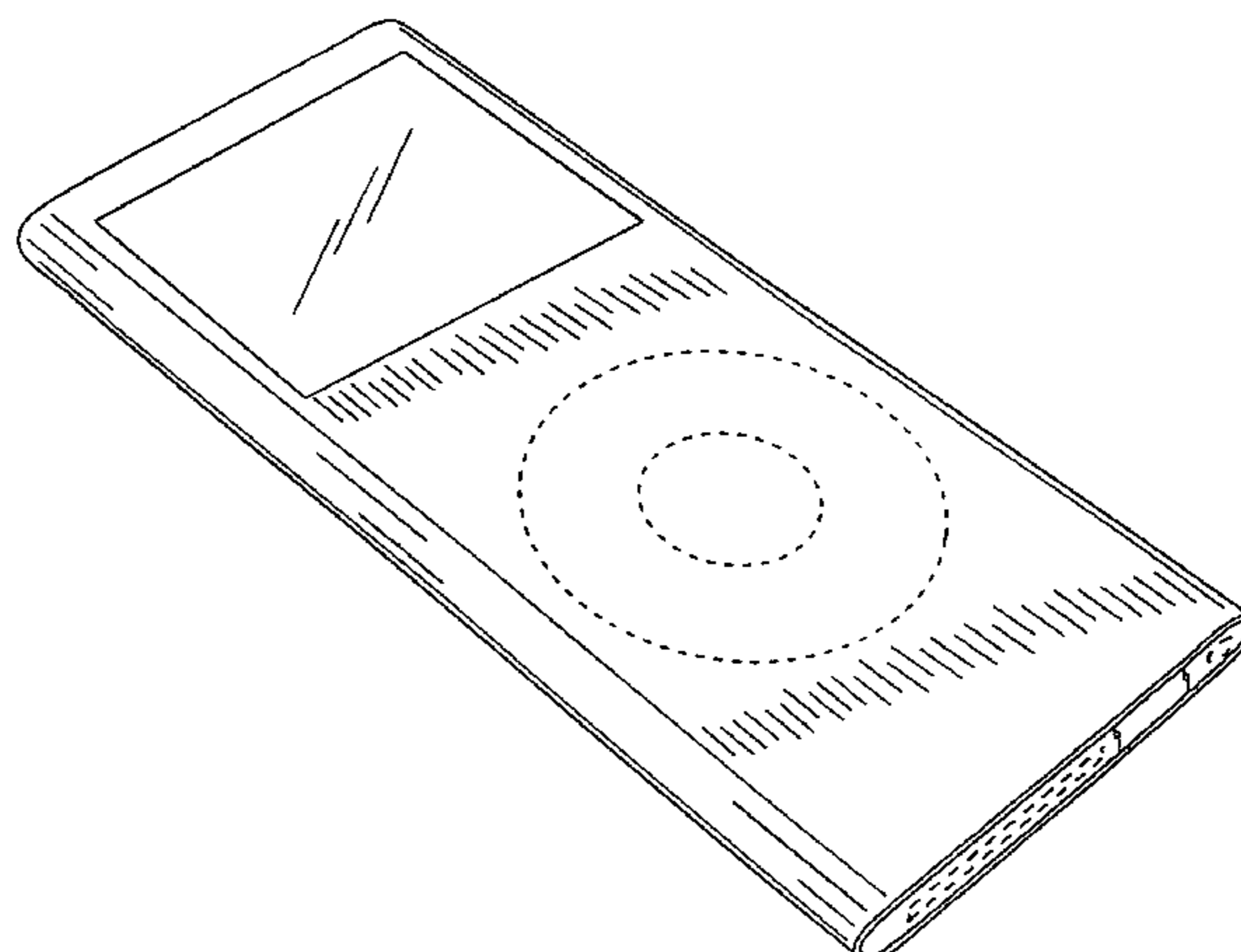
FIG. 5 is a bottom view thereof;

FIG. 6 is a right side view thereof; and,

FIG. 7 is a left view thereof.

The broken lines are for illustrative purposes only and form no part of the claimed design.

**1 Claim, 3 Drawing Sheets**



# US D593,994 S

Page 2

## U.S. PATENT DOCUMENTS

D264,969	S	6/1982	McGourty	
4,976,435	A	12/1990	Shatford et al.	
5,192,082	A	3/1993	Inoue et al.	
D339,806	S	* 9/1993	Grinkus .....	D14/217
5,414,444	A	* 5/1995	Britz .....	345/156
5,661,632	A	8/1997	Register	
D412,940	S	8/1999	Kato et al.	
5,964,661	A	10/1999	Dodge	
D425,885	S	5/2000	Amron	
D430,169	S	8/2000	Scibora	
6,122,526	A	9/2000	Parulski et al.	
D432,523	S	10/2000	Grinkus et al.	
D437,860	S	2/2001	Suzuki et al.	
D438,525	S	3/2001	Katayama	
D441,735	S	5/2001	Katayama	
6,227,966	B1	5/2001	Yokoi	
6,254,477	B1	7/2001	Sasaki et al.	
6,262,785	B1	7/2001	Kim	
D448,810	S	10/2001	Goto	
D450,713	S	11/2001	Masamitsu et al.	
6,314,483	B1	11/2001	Goto et al.	
D452,250	S	12/2001	Chan	
D455,793	S	4/2002	Lin	
D468,365	S	1/2003	Bransky et al.	
D469,109	S	1/2003	Andre et al.	
D472,245	S	3/2003	Andre et al.	
D473,207	S	4/2003	Tanio	
6,567,011	B1	5/2003	Young et al.	
6,591,085	B1	7/2003	Grady	
D483,809	S	12/2003	Lim	
D486,813	S	2/2004	Chun	
D489,052	S	4/2004	Shiraki et al.	
D489,731	S	5/2004	Huang	
D490,068	S	5/2004	Chen	
D492,315	S	6/2004	Wang	
D492,323	S	6/2004	Wang	
D494,188	S	8/2004	Huang	
D497,618	S	10/2004	Andre et al.	
D499,388	S	* 12/2004	Murakami .....	D14/507
D499,423	S	12/2004	Bahroocha et al.	
D499,424	S	12/2004	Bahroocha	
D503,409	S	3/2005	Wong et al.	
D506,476	S	6/2005	Andre et al.	
D507,003	S	7/2005	Pai et al.	
D507,277	S	7/2005	Sitoh	
6,920,344	B2	7/2005	Jang	
D509,833	S	9/2005	Yang	
D510,937	S	10/2005	Tsai	
D511,347	S	11/2005	Naruki	
D511,529	S	11/2005	Sassano	
D512,403	S	12/2005	Yang	
6,977,675	B2	12/2005	Kotzin	
D513,512	S	1/2006	Tsai	
D514,120	S	1/2006	Chan	
D514,121	S	1/2006	Johnson	
D514,589	S	2/2006	Chen	
D515,099	S	2/2006	Lee	
D515,545	S	2/2006	Griffin	
D515,546	S	2/2006	Mu	
D516,576	S	3/2006	Ive et al.	
D516,579	S	3/2006	Nakamura	
D517,088	S	3/2006	Chong et al.	
7,013,164	B2	3/2006	Lin	
D518,290	S	4/2006	Andre et al.	
D519,523	S	4/2006	Chiu et al.	
D520,020	S	5/2006	Senda et al.	
7,046,230	B2	5/2006	Zadesky et al.	
D525,986	S	8/2006	Kim	
D529,512	S	10/2006	Reawsanguanwong	
D534,184	S	12/2006	Leija et al.	
D534,545	S	1/2007	Leija et al.	

D538,820	S	3/2007	Andre et al.
D539,814	S	4/2007	Andre et al.
D541,297	S	4/2007	Andre et al.
D541,298	S	4/2007	Andre et al.
D541,299	S	4/2007	Andre et al.
D542,306	S	5/2007	Andre et al.
D542,808	S	5/2007	Andre et al.
D543,553	S	5/2007	Langberg et al.
7,230,822	B2	6/2007	Langbert et al.
D548,744	S	8/2007	Andre et al.
D548,745	S	8/2007	Andre et al.
D548,746	S	8/2007	Andre et al.
D548,747	S	8/2007	Andre et al.
D549,237	S	8/2007	Andre et al.
D551,680	S	9/2007	Andre et al.
D575,304	S	8/2008	Andre et al.
2004/0224638	A1	11/2004	Fadell et al.

## FOREIGN PATENT DOCUMENTS

CN	3260633D	10/2002
CN	3269799D	12/2002
CN	3286007D	4/2003
CN	3287344D	4/2003
CN	3331371D	10/2003
CN	339759D	12/2003
CN	3375890D	6/2004
CN	3380859D	7/2004
CN	3389184D	9/2004
CN	3389185D	9/2004
CN	3453893D	6/2005
CN	3453894D	6/2005
CN	3453909D	6/2005
CN	3468582D	8/2005
CN	3468598D	8/2005
CN	3480659D	10/2005
CN	3484184D	11/2005
CN	3490573D	12/2005
CN	3490574D	12/2005
CN	3509995D	3/2006
CN	3513646D	3/2006
CN	3518964D	4/2006
CN	3518979D	4/2006
CN	3534319D	6/2006
CN	3543434D	7/2006
CN	3545312D	7/2006
CN	3549064D	8/2006
JP	1228217	1/2005

## OTHER PUBLICATIONS

U.S. Appl. No. 29/237,232, Andre et al., Handheld Portable Computing Device, filed Aug. 24, 2005.

U.S. Appl. No. 29/287,025, Andre et al., Media Device, filed Jul. 10, 2007.

U.S. Appl. No. 29/288,717, Andre et al., Media Device, filed Jun. 20, 2007.

U.S. Appl. No. 29/196,832, Andre et al., Media Device, filed Jan. 5, 2004.

U.S. Appl. No. 29/224,220, Andre et al., Electronic Device, filed Feb. 25, 2005.

Apple iPod, product sheet, Mac Mall.com (on line), (c) 2005-2005, (retrieved on Aug. 25, 2007) retrieved on internet <URL:http://www.Macmall.com>, 2 pages.

Apple iPod U2 special edition (20GB), product sheet, Selectmore.com (on line), (c) 1998-2004, (retrieved on Aug. 25, 2007) retrieved on internet <URL:http://www.selectmore.com>, 5 pages.

Apple iPod U2 special edition black, product sheet, Winbuyer.com (on line), (retrieved on Aug. 25, 2007) retrieved on internet <URL:http://www.winbuyer.com>, 4 pages.

Black iPod player, product sheet, Satsig.ntblack-ipod.htm. (c) 2007, (retrieved on Aug. 8, 2007), 1 page.

# US D593,994 S

Page 3

---

HA16004656, Design of HDD Mobile Audio Player, Received by National Center for Industrial Property Information on Apr. 14, 2004. Publication "Good Press" issued on May 10, 2004, No. 5, p. 47.  
U.S. Appl. No. 29/305,583, Andre et al., Media Device, filed Mar. 24, 2008.

U.S. Appl. No. 29/324,128, Andre et al., Electronic Device, filed Sep. 05, 2008.

U.S. Appl. No. 29/324,136, Andre et al., Electronic Device, filed Sep. 06, 2008.

\* cited by examiner



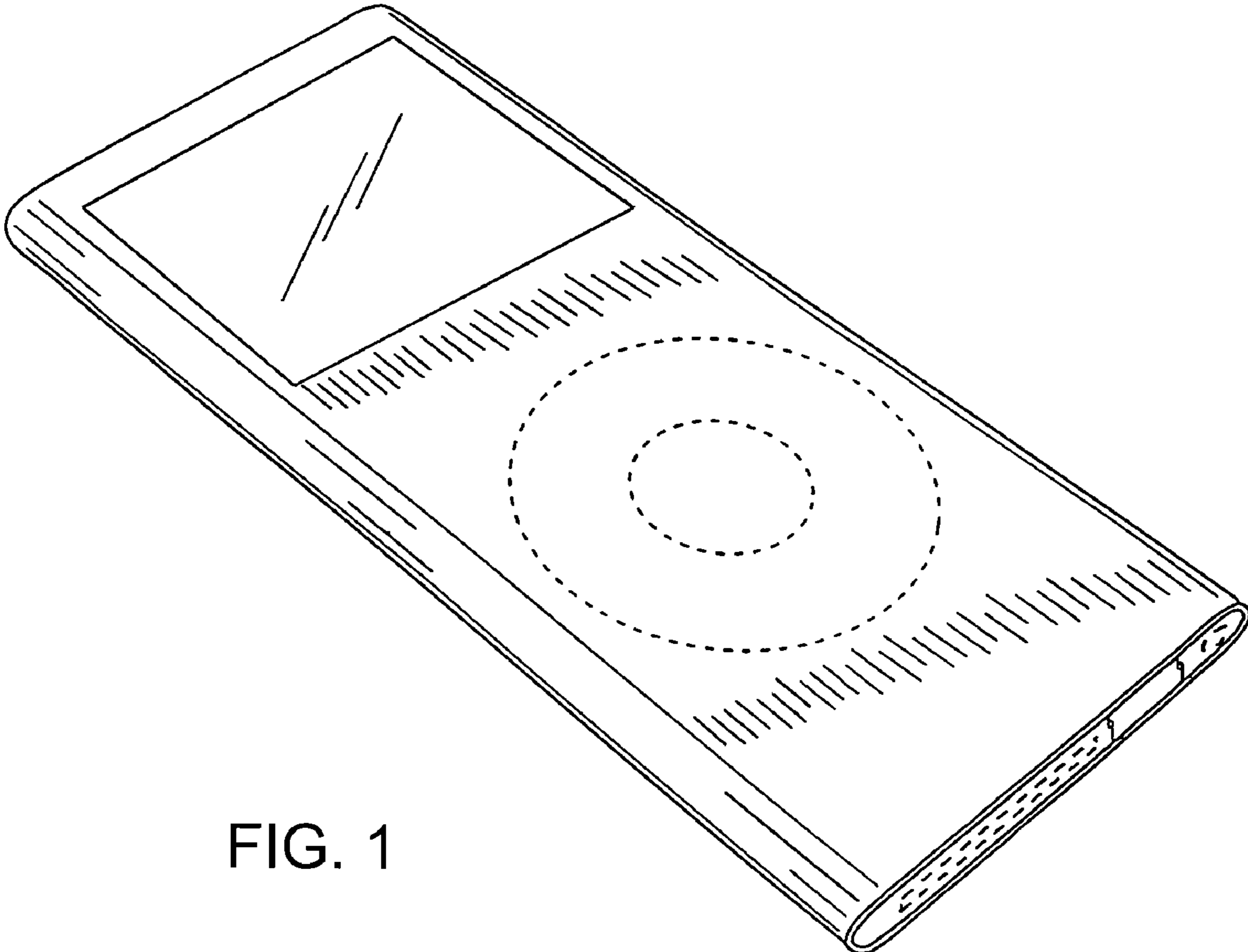


FIG. 1

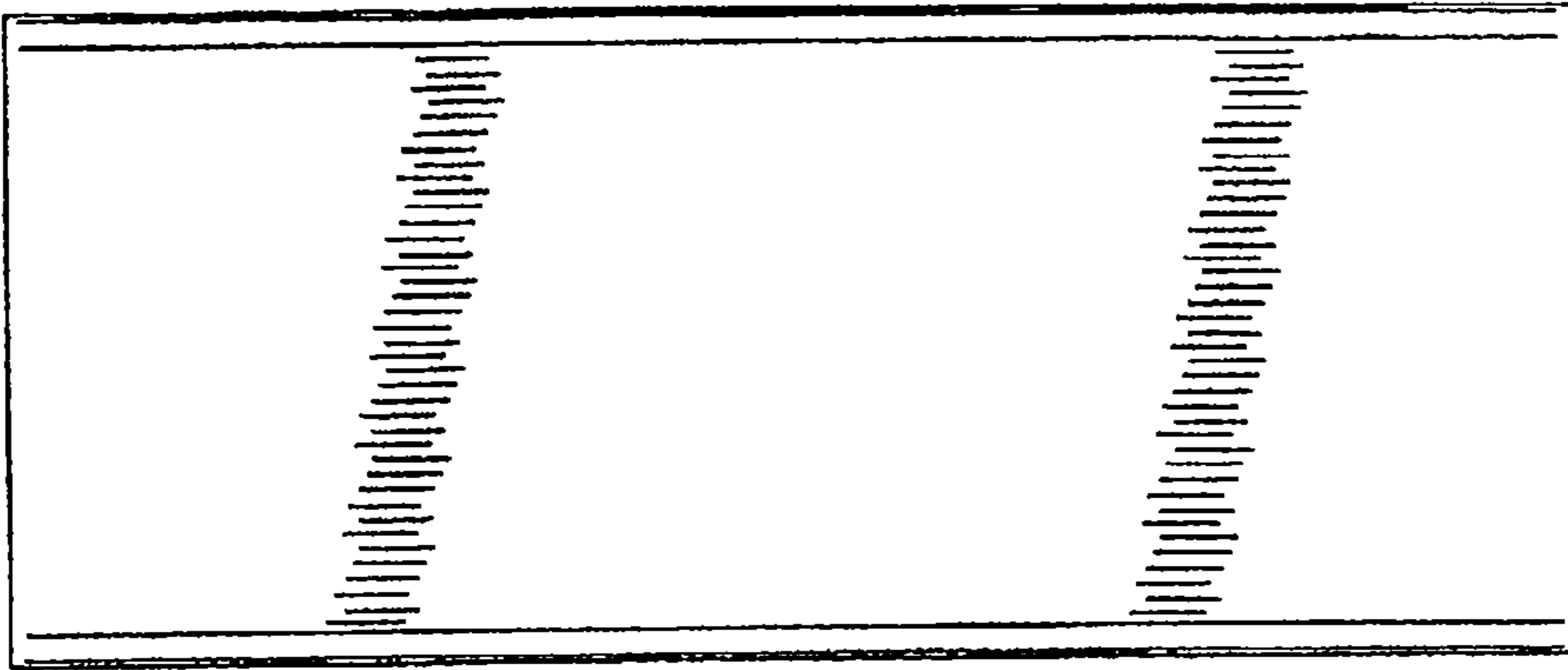


FIG. 3

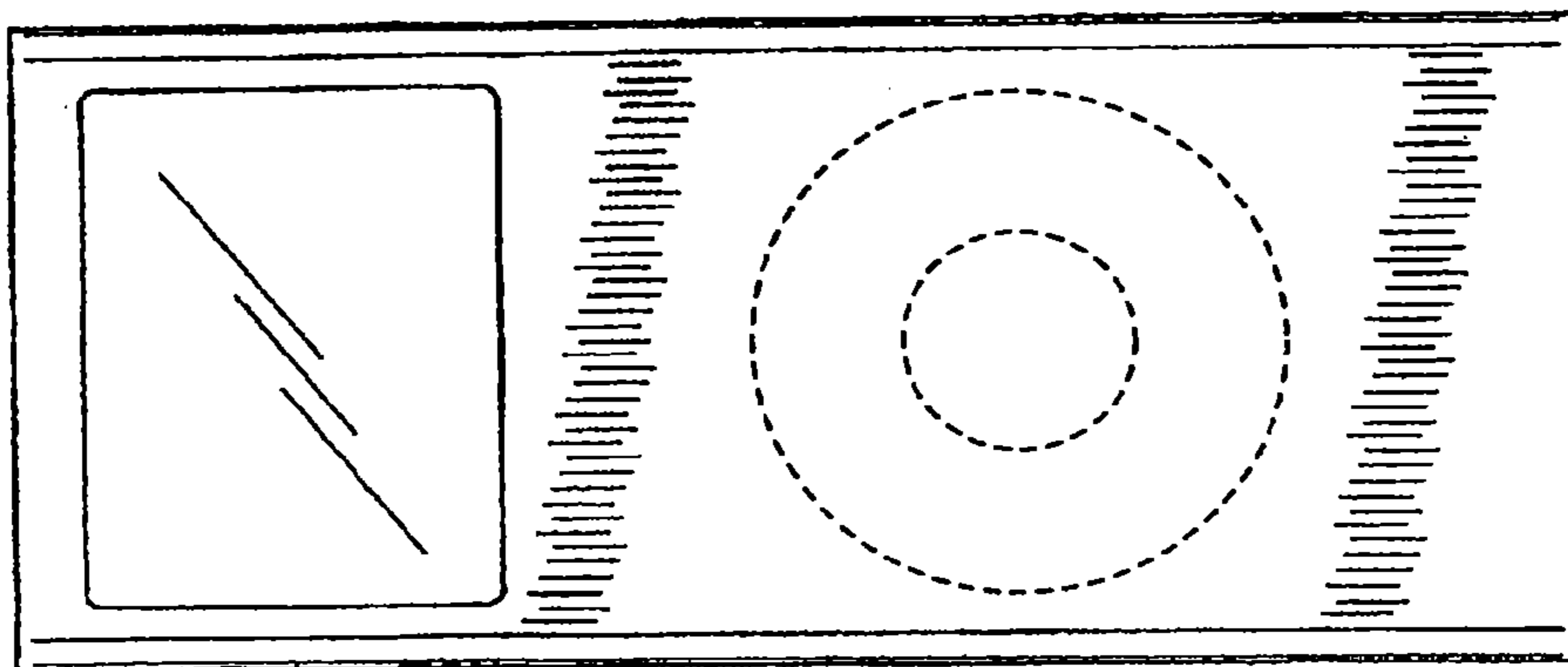


FIG. 2



FIG. 4

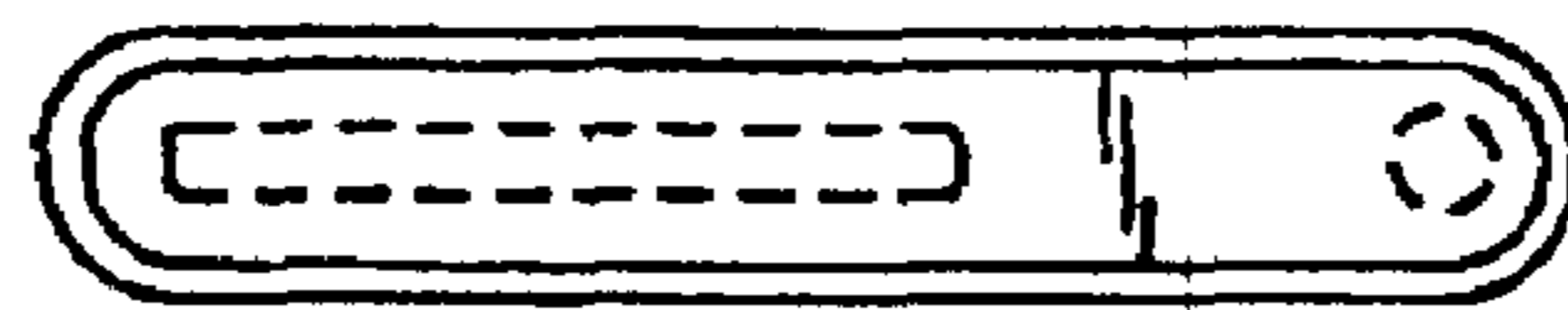


FIG. 5

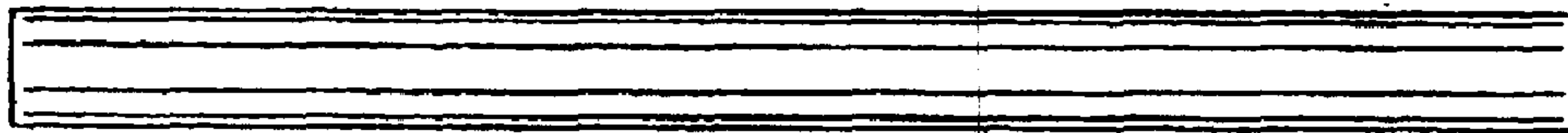


FIG. 6

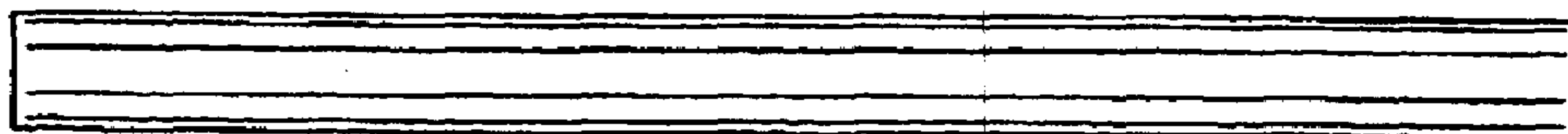


FIG. 7