

US00D593992S

(12) **United States Design Patent**  
**Takeo**

(10) **Patent No.:** **US D593,992 S**

(45) **Date of Patent:** **\*\* Jun. 9, 2009**

(54) **TUNER**

(75) Inventor: **Shigeru Takeo**, Kanagawa (JP)

(73) Assignee: **Mitsumi Electric Co., Ltd**, Tokyo (JP)

(\*\*) Term: **14 Years**

(21) Appl. No.: **29/322,371**

(22) Filed: **Aug. 4, 2008**

(30) **Foreign Application Priority Data**

Feb. 5, 2008 (JP) ..... 2008-002360

(51) **LOC (9) Cl.** ..... **14-03**

(52) **U.S. Cl.** ..... **D14/188; D13/133**

(58) **Field of Classification Search** ..... D14/168,  
D14/169, 188, 189, 193-198, 217, 265, 496;  
455/344-351, 100, 128; 381/351, 386; D13/133,  
D13/147

See application file for complete search history.

(56) **References Cited**

**U.S. PATENT DOCUMENTS**

D475,988 S \* 6/2003 Otani et al. .... D14/188

D518,815 S \* 4/2006 Otani ..... D14/188

D533,508 S \* 12/2006 Suzuki et al. .... D13/147

D556,734 S \* 12/2007 Otani ..... D14/188  
D583,320 S \* 12/2008 Miyamoto et al. .... D13/133  
D583,321 S \* 12/2008 Miyamoto et al. .... D13/133  
2005/0162242 A1 \* 7/2005 Ootori et al. .... 334/85

\* cited by examiner

*Primary Examiner*—Stella M Reid

*Assistant Examiner*—Keli L Hill

(74) *Attorney, Agent, or Firm*—Sughrue Mion, PLLC

(57) **CLAIM**

The ornamental design for a tuner, as shown and described.

**DESCRIPTION**

FIG. 1 is a front perspective view of the tuner according to the present invention;

FIG. 2 is a front view thereof;

FIG. 3 is a rear view thereof;

FIG. 4 is a right side view thereof;

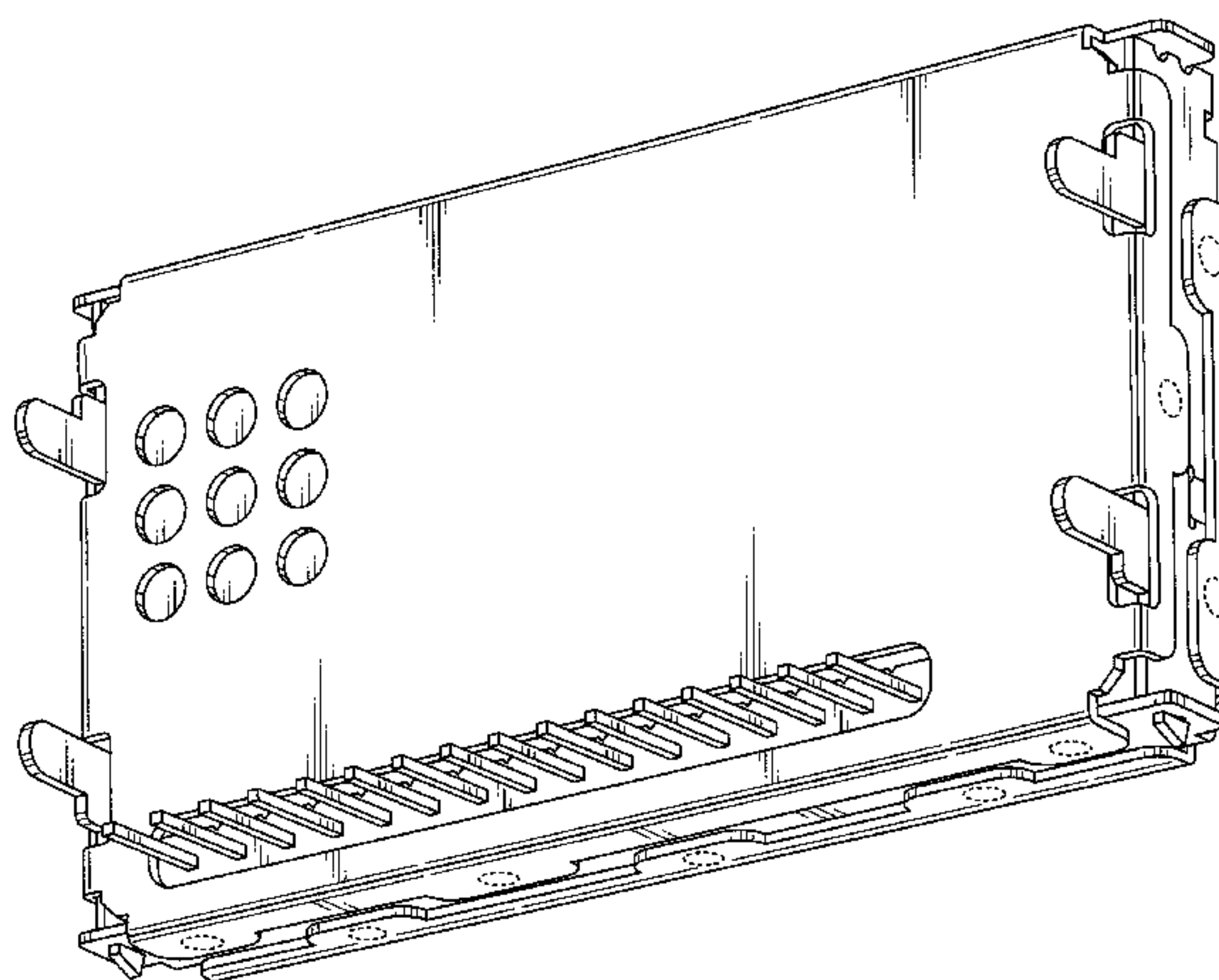
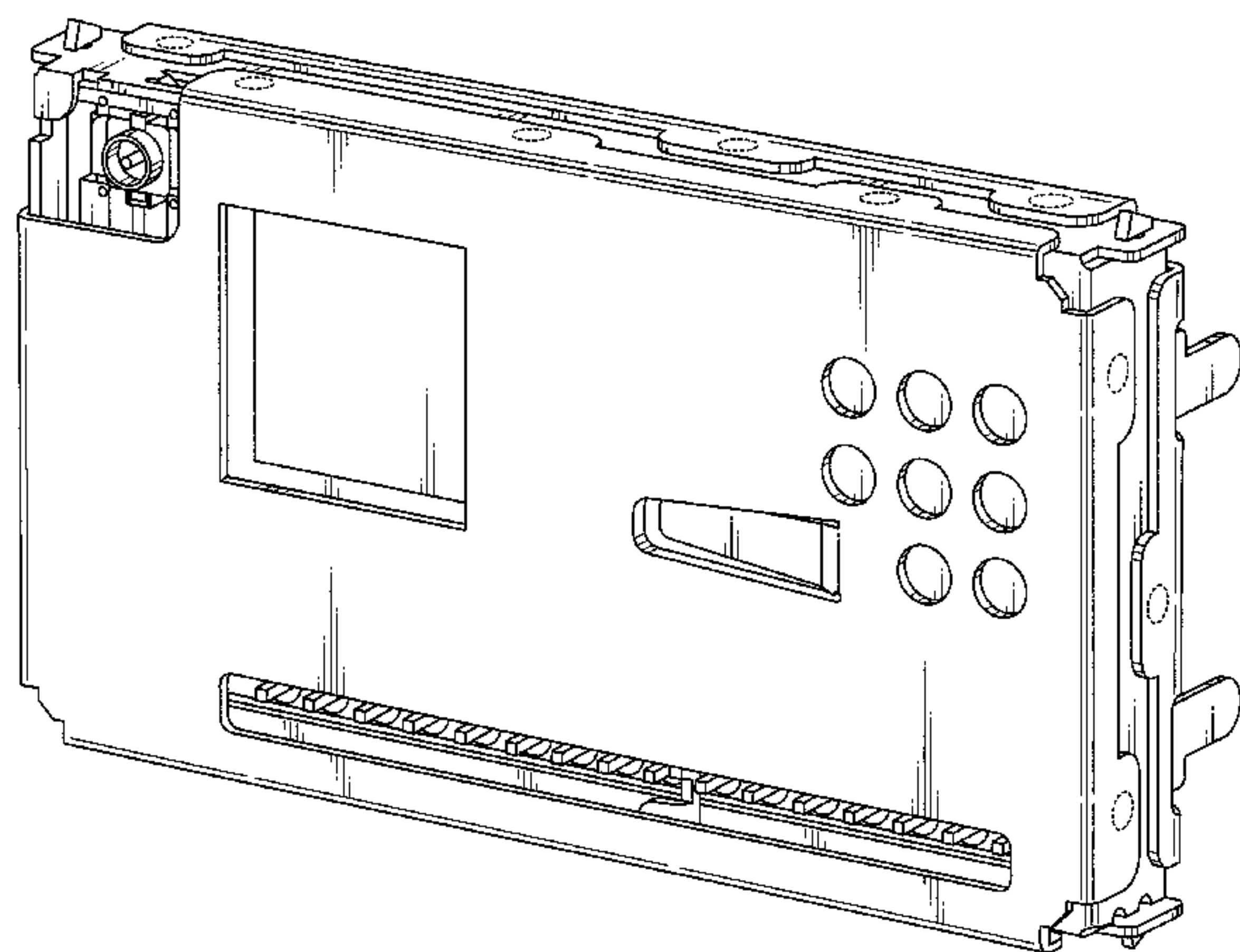
FIG. 5 is a left side view thereof;

FIG. 6 is a top plan view thereof;

FIG. 7 is a bottom plan view thereof; and,

FIG. 8 is a rear perspective view thereof.

**1 Claim, 6 Drawing Sheets**



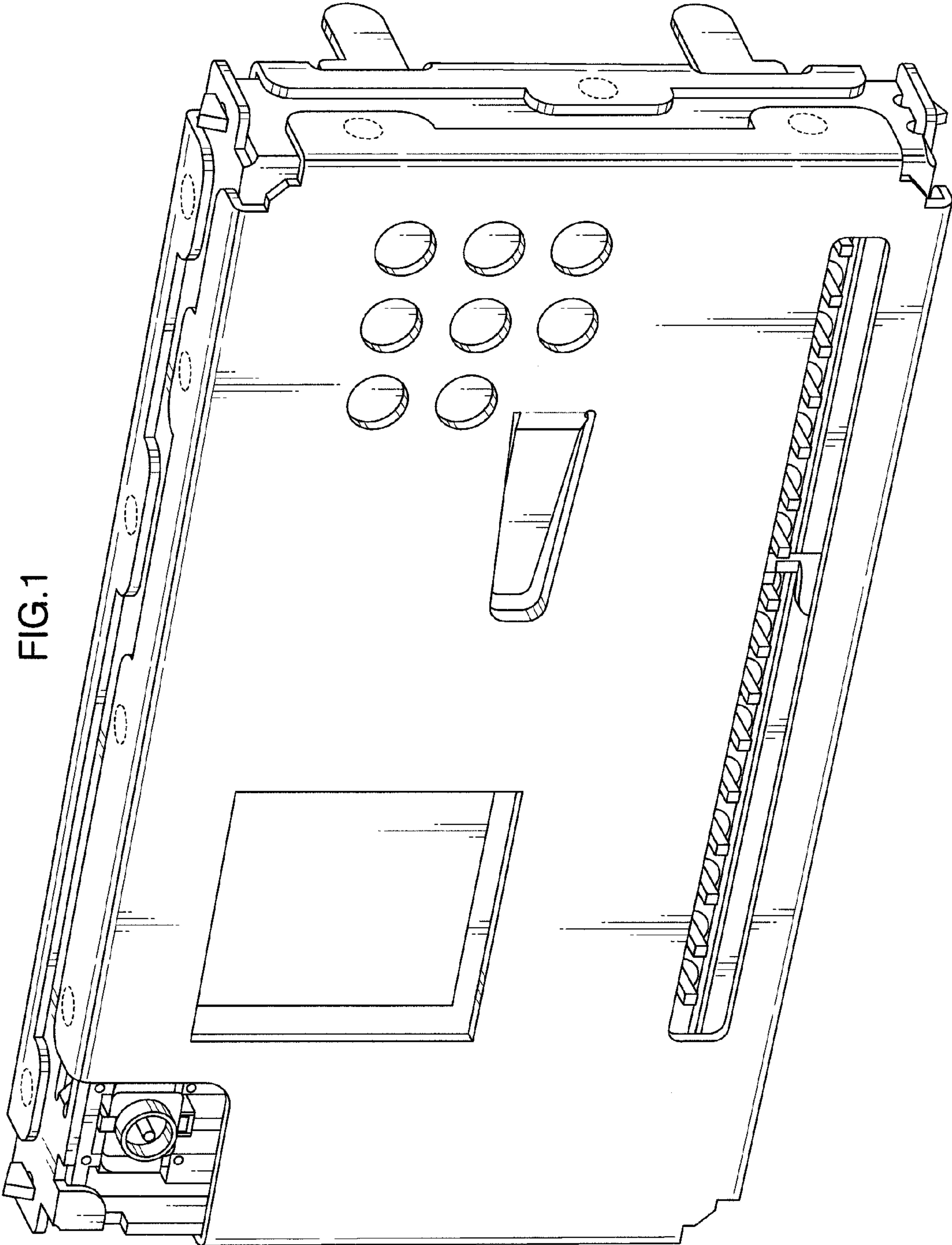


FIG.1

FIG. 2

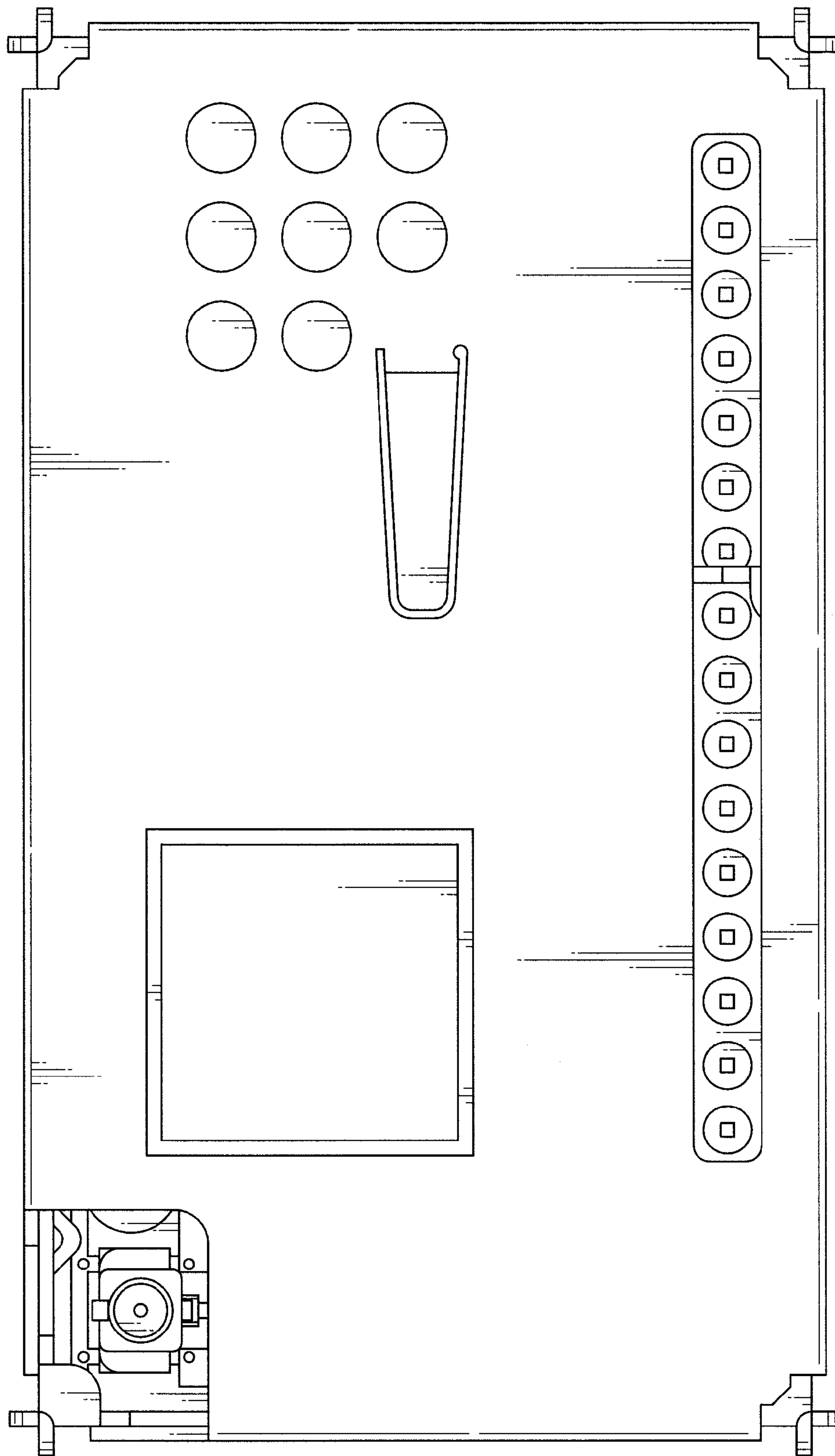


FIG.3

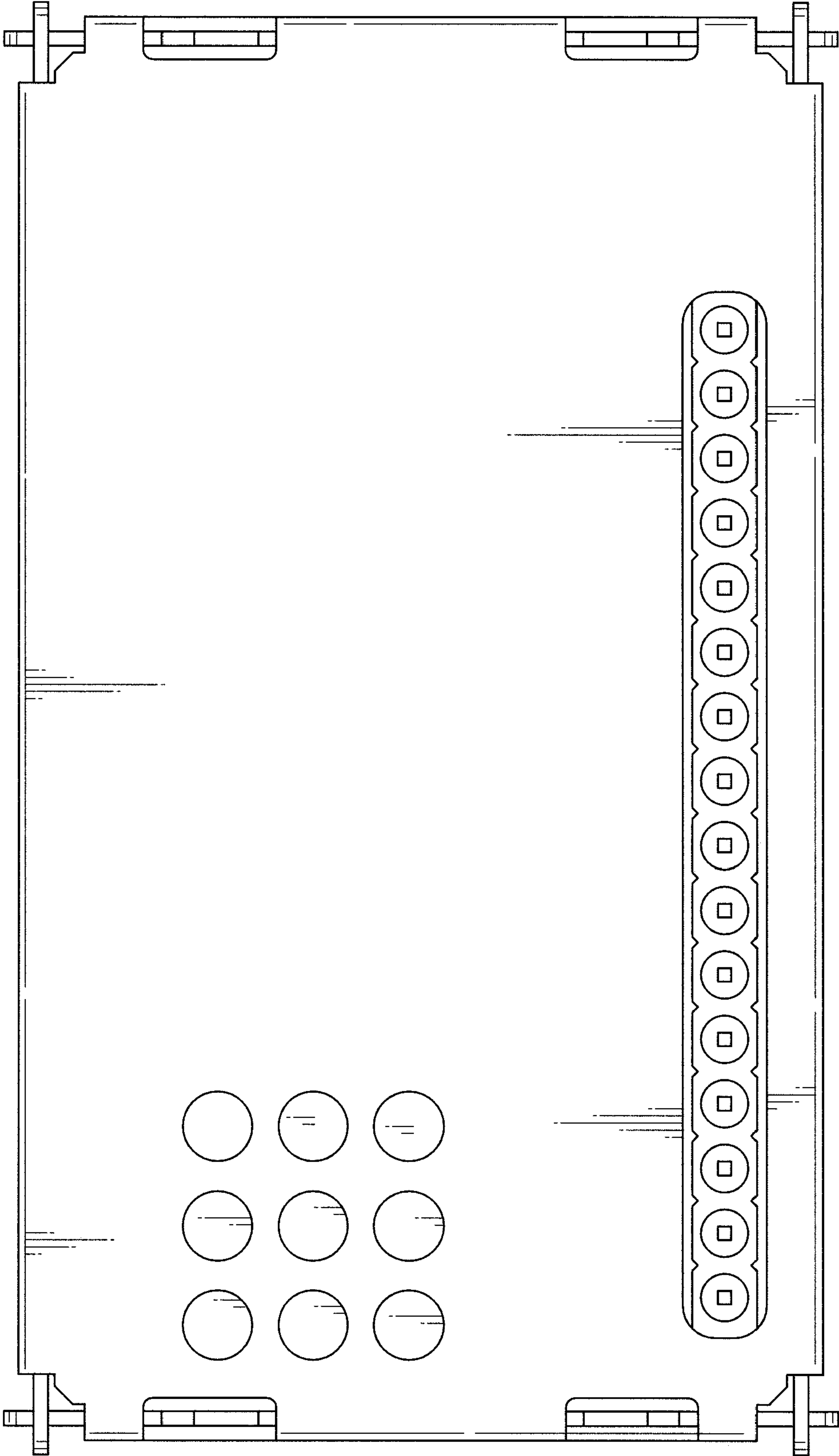


FIG.5

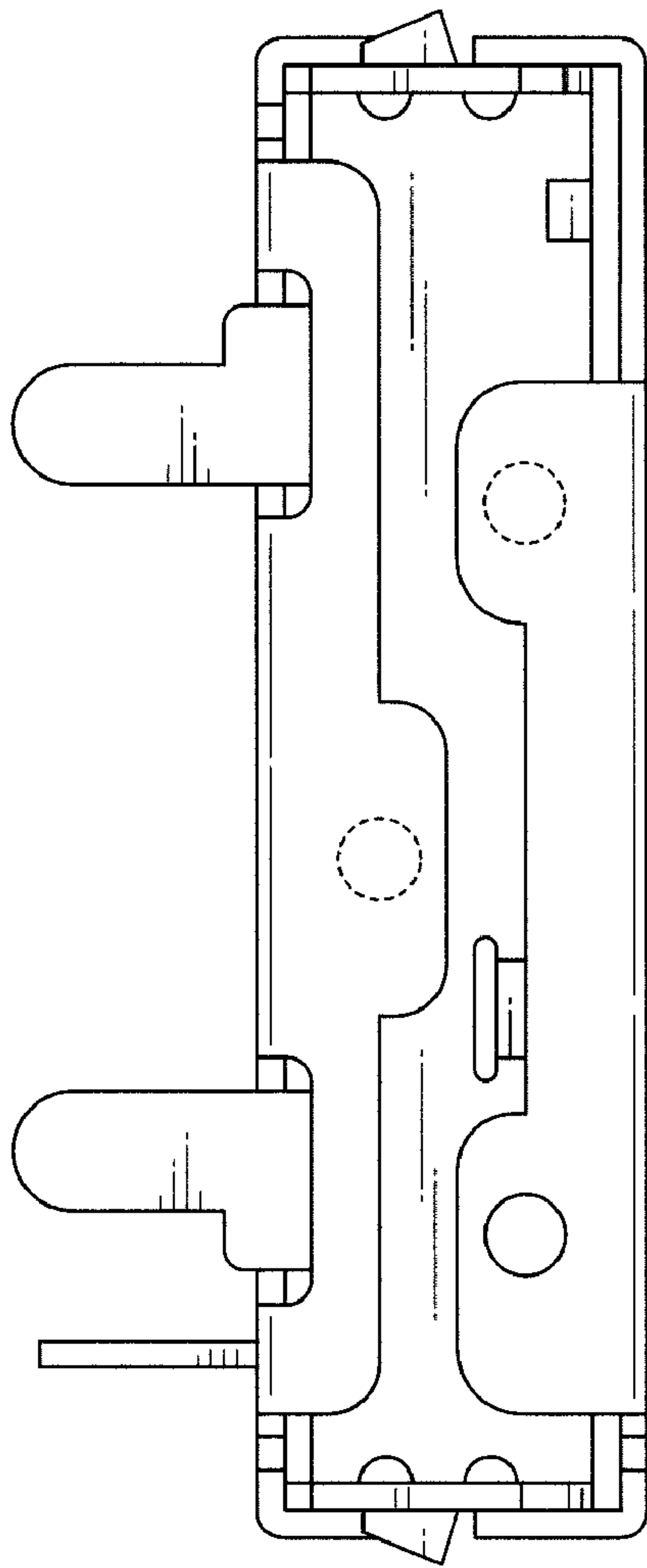


FIG.4

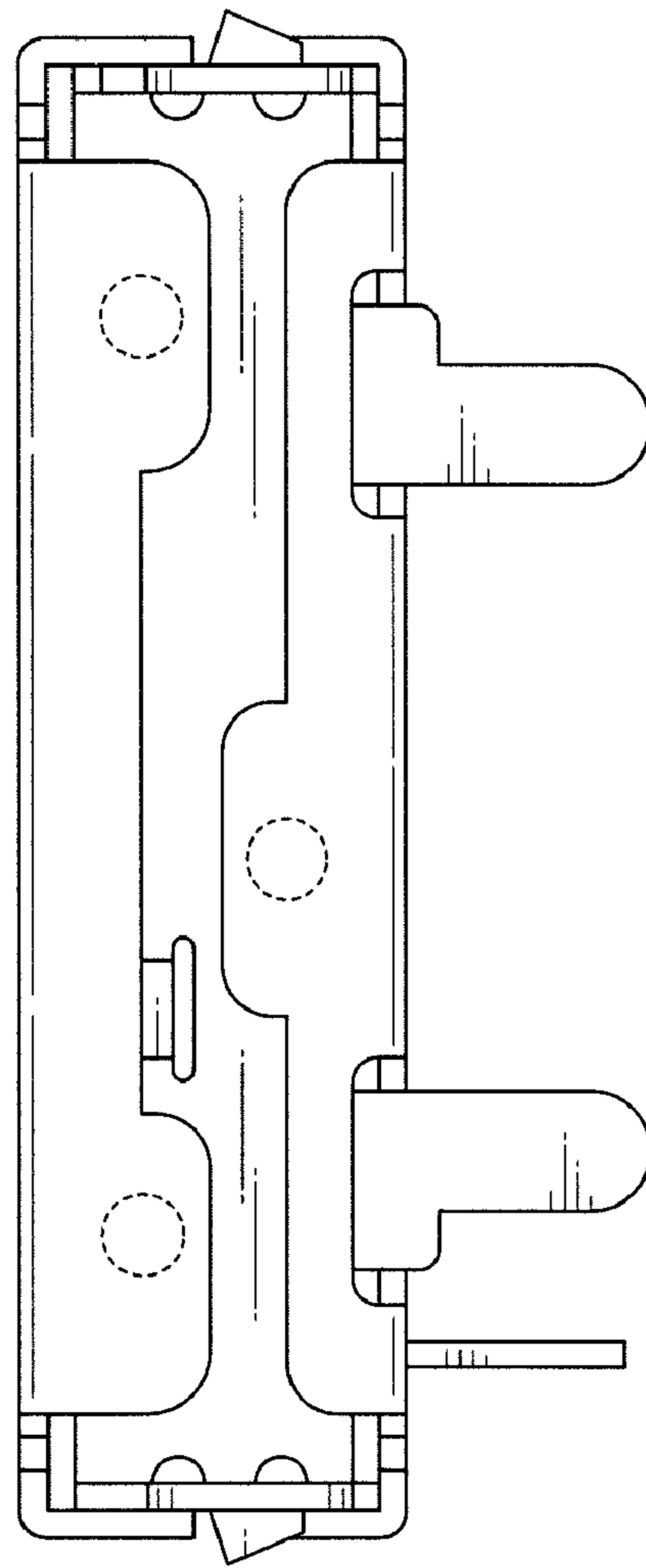




FIG.6

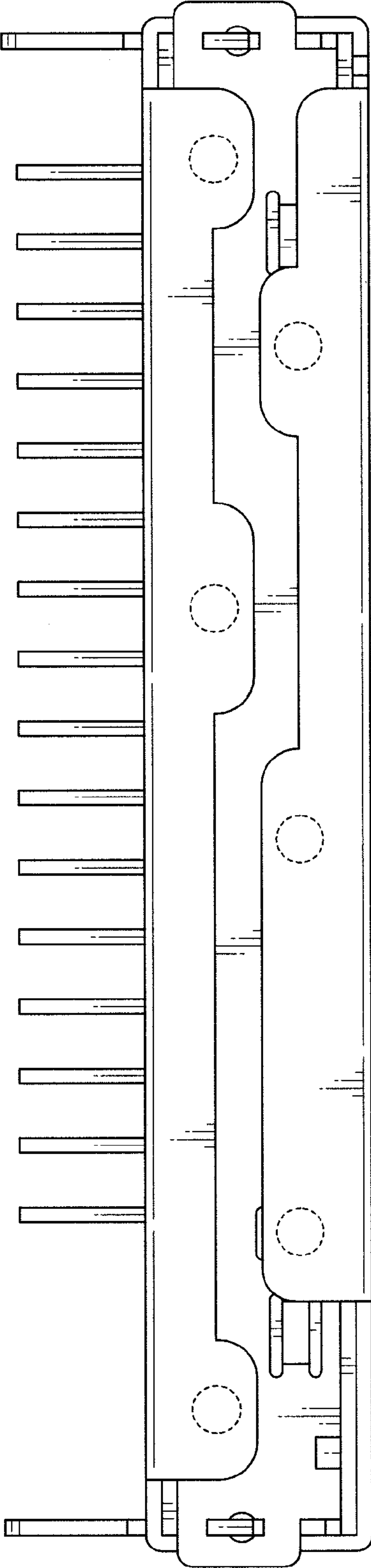
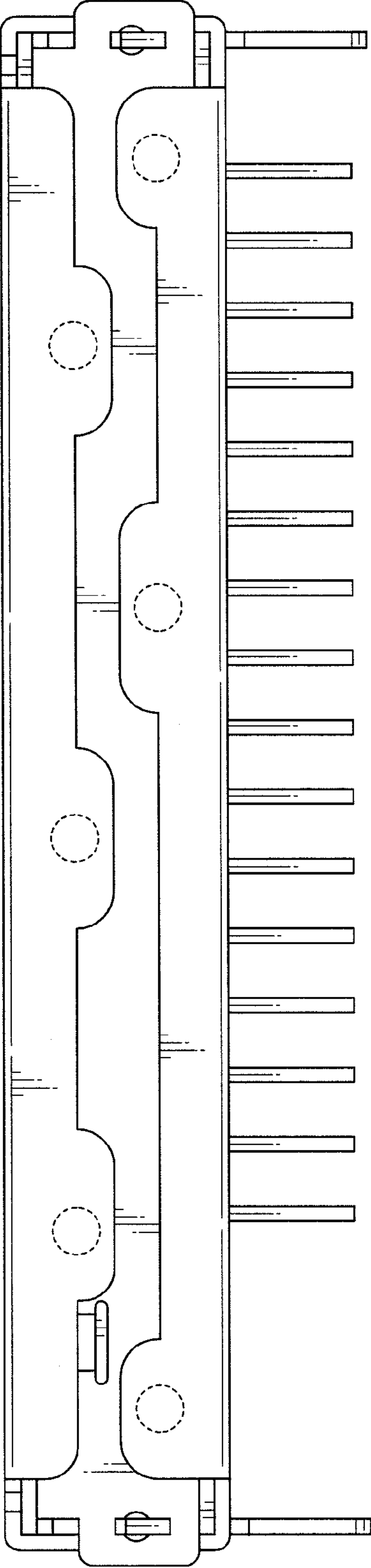


FIG.7



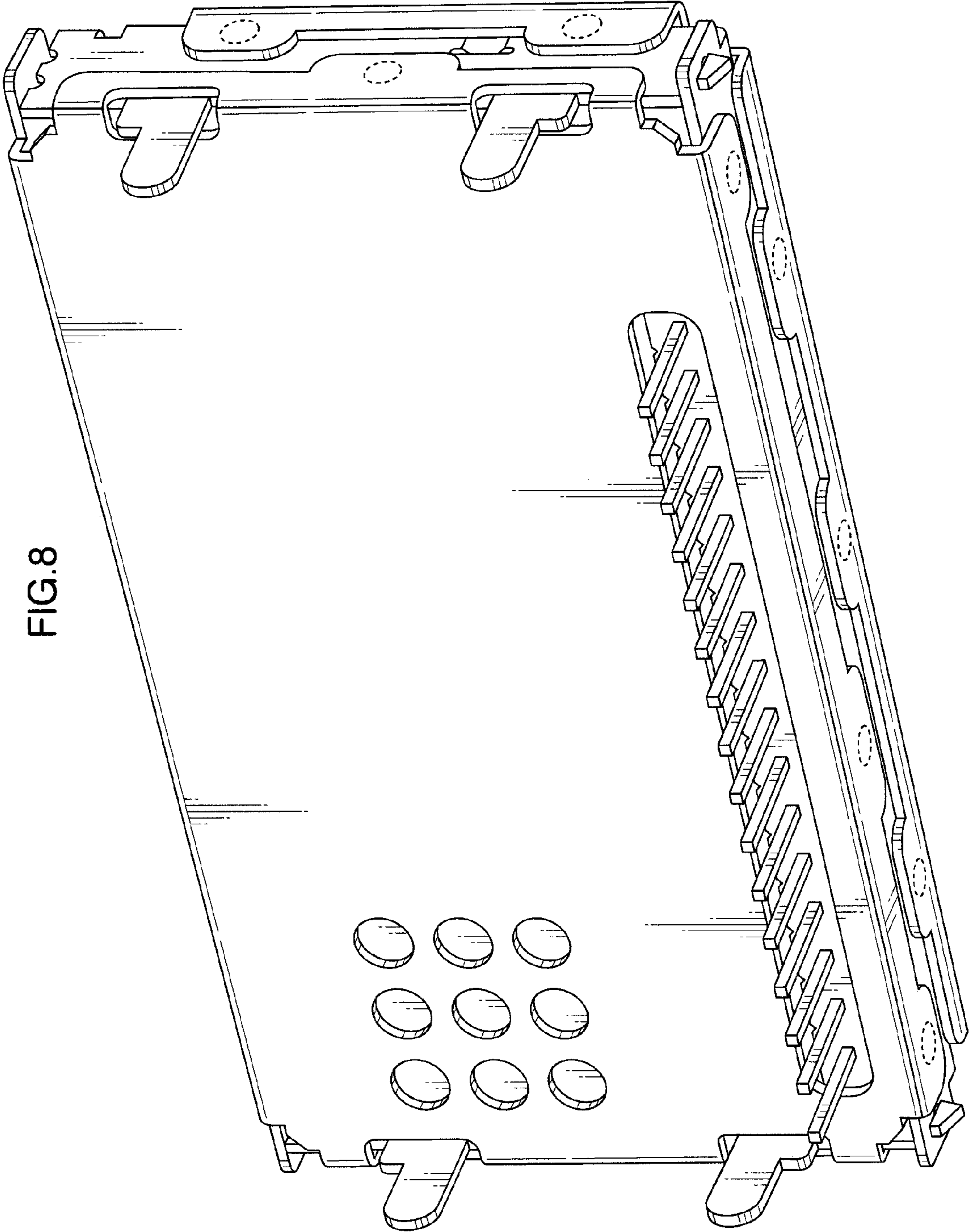


FIG.8