

US00D593989S

(12) **United States Design Patent**
Endo et al.

(10) **Patent No.:** **US D593,989 S**
(45) **Date of Patent:** **** Jun. 9, 2009**

(54) **DIGITAL AUDIO PLAYER WITH TUNER FOR VEHICLE**

D571,350 S 6/2008 Iwamoto et al.

(75) Inventors: **Hideki Endo**, Yokohama (JP); **Takayuki Horie**, Komae (JP)

(73) Assignee: **Alpine Electronics, Inc.**, Tokyo (JP)

(**) Term: **14 Years**

(21) Appl. No.: **29/307,888**

(22) Filed: **May 19, 2008**

(30) **Foreign Application Priority Data**

Nov. 20, 2007 (JP) 2007-031846

(51) **LOC (9) Cl.** **14-03**

(52) **U.S. Cl.** **D14/157; D14/258**

(58) **Field of Classification Search** D14/135,
D14/157, 197-198, 188, 257, 258; 360/99.02,
360/99.07; 369/75.11, 75.21, 77.21, 77.11;
720/612, 619, 647, 655; 455/344, 347-351
See application file for complete search history.

(56) **References Cited**

U.S. PATENT DOCUMENTS

- D437,841 S * 2/2001 Kakizaki et al. D14/157
- D534,887 S 1/2007 Endo et al.
- D537,055 S 2/2007 Endo et al.
- D537,056 S 2/2007 Endo et al.
- D557,250 S 12/2007 Aguilar et al.
- D557,677 S 12/2007 Aguilar et al.
- D571,349 S 6/2008 Endo et al.

OTHER PUBLICATIONS

U.S. Appl. No. 29/288,554, filed Jun. 14, 2007, Endo et al.
U.S. Appl. No. 29/307,889, filed May 19, 2008, Taro Iwamoto.

* cited by examiner

Primary Examiner—Nanda Bondade

(74) *Attorney, Agent, or Firm*—Brinks Hofer Gilson & Lione

(57) **CLAIM**

We claim the ornamental design for a digital audio player with tuner for vehicle, as shown and described.

DESCRIPTION

FIG. 1 is a perspective view of a digital audio player with tuner for vehicle, showing our new, original and ornamental design;

FIG. 2 is a front elevational view thereof;

FIG. 3 is a left side elevational view thereof;

FIG. 4 is a right side elevational view thereof;

FIG. 5 is a top plan view thereof;

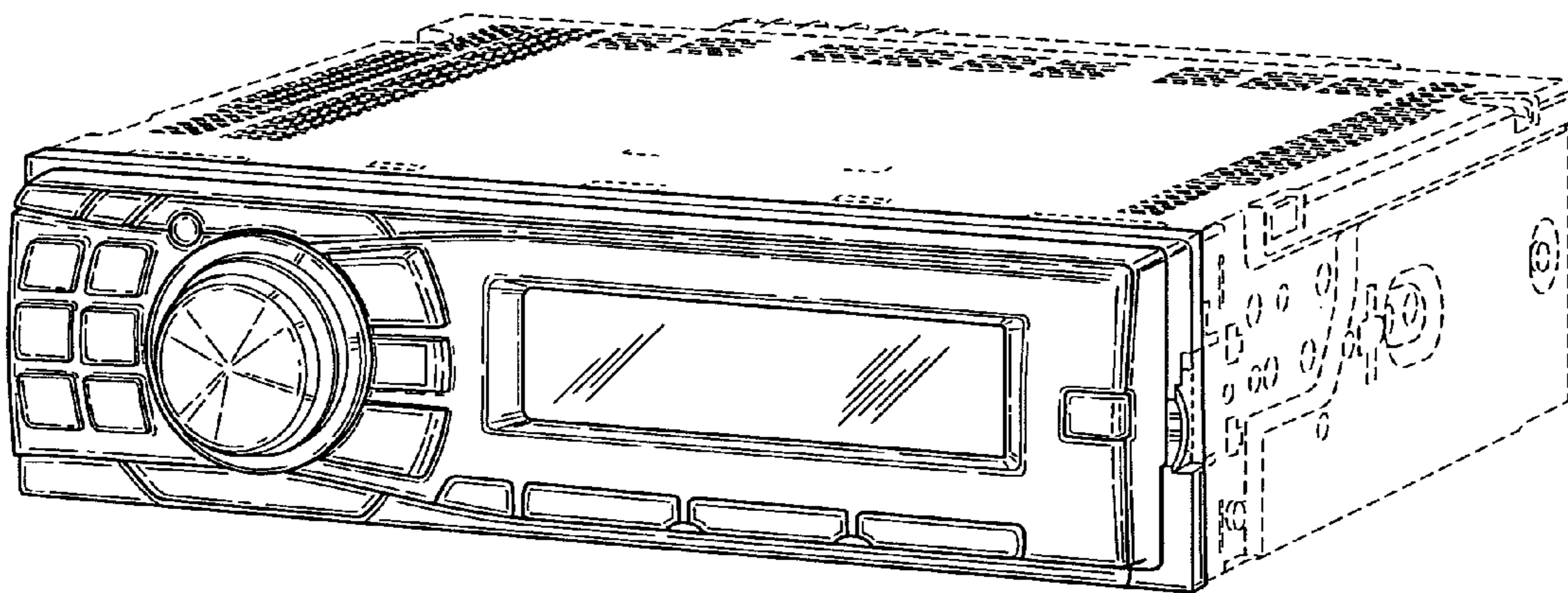
FIG. 6 is a bottom plan view thereof;

FIG. 7 is a perspective view thereof, with the faceplate tilted downward; and,

FIG. 8 is a front elevational view thereof, with the power on.

The broken lines shown in the drawings are for illustrative purposes only and form no part of the claimed design.

1 Claim, 5 Drawing Sheets



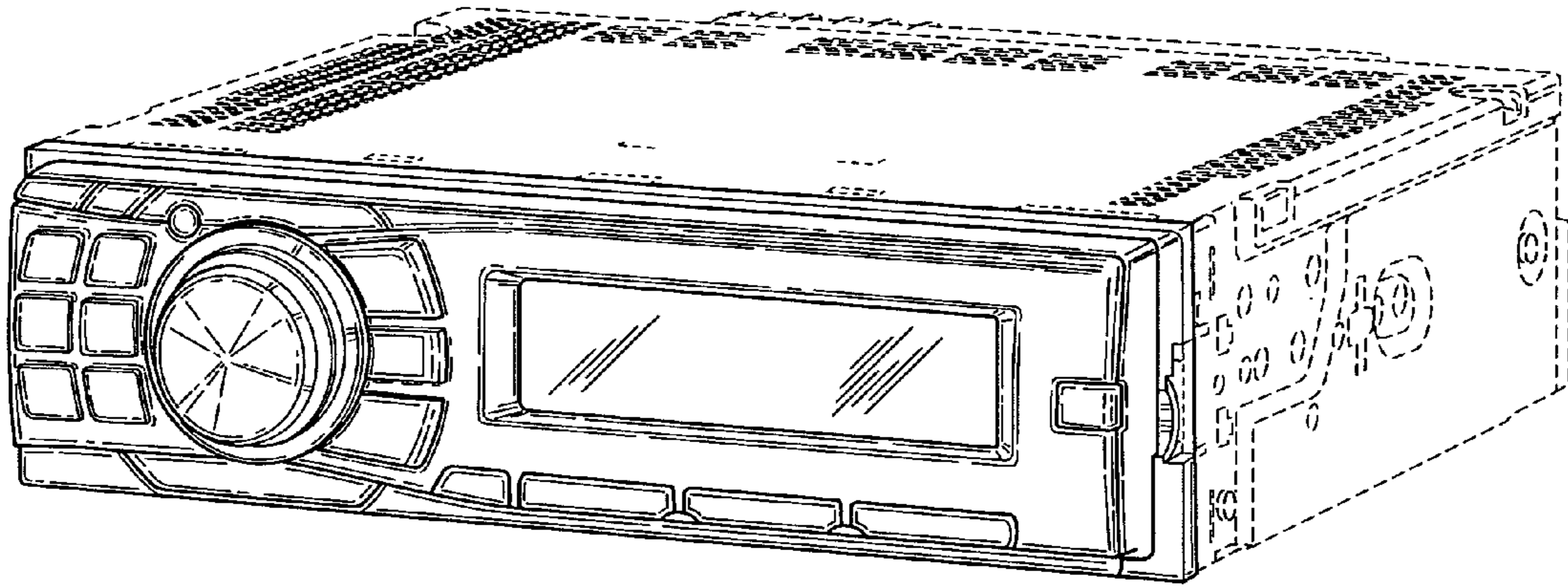


Fig. 1

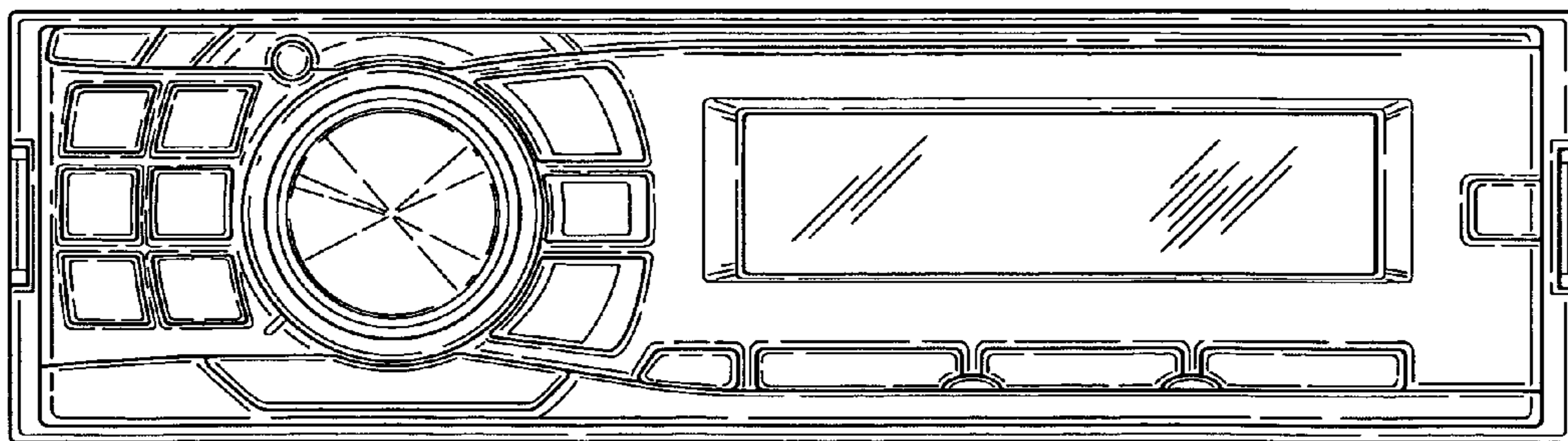


Fig. 2

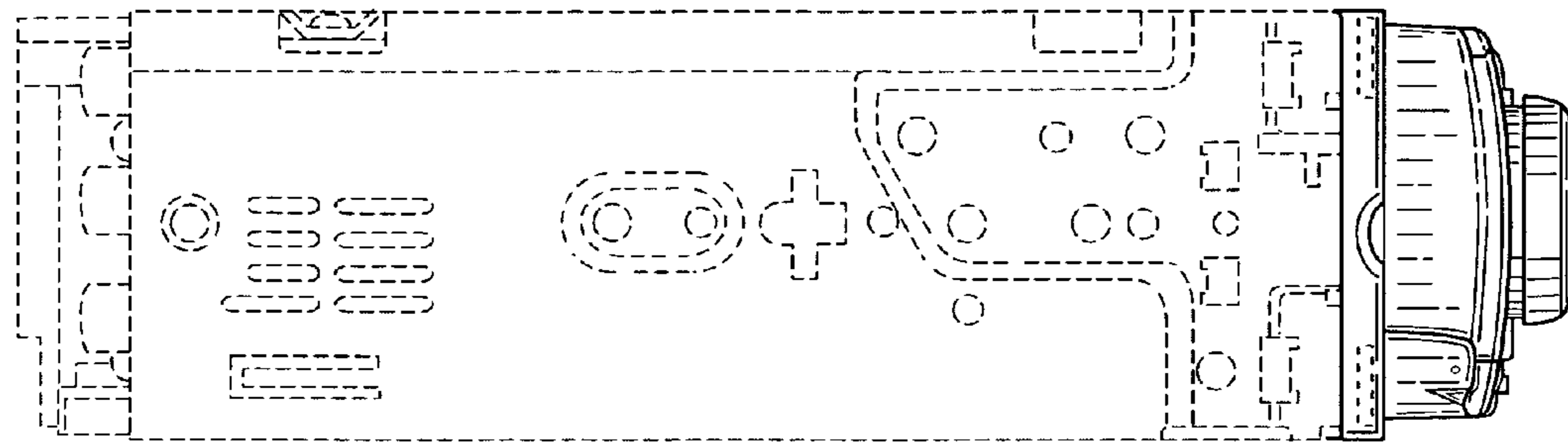


Fig. 3

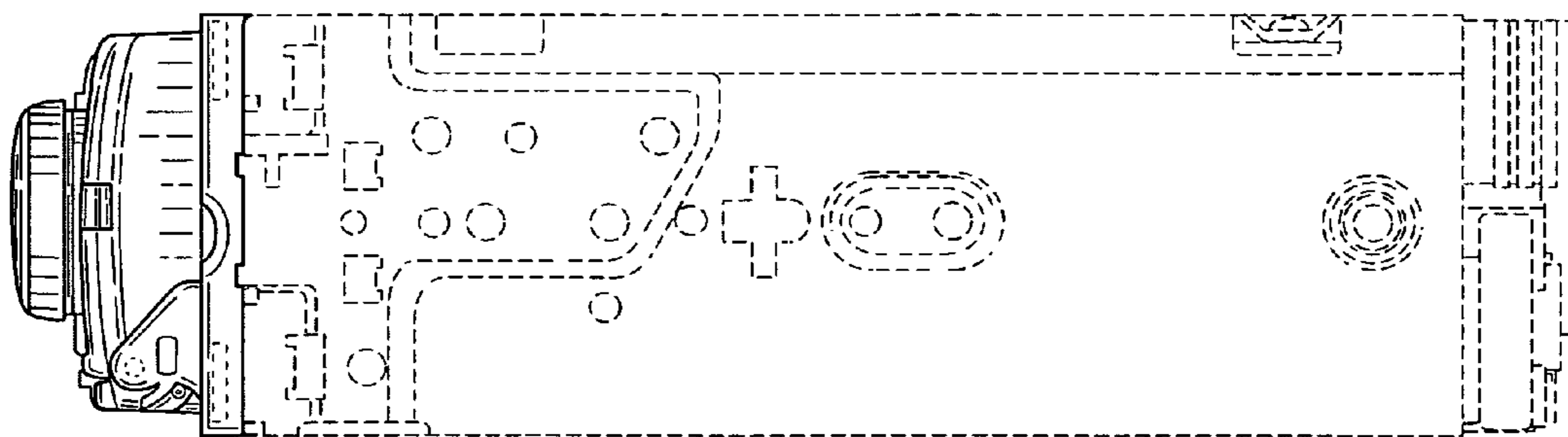


Fig. 4

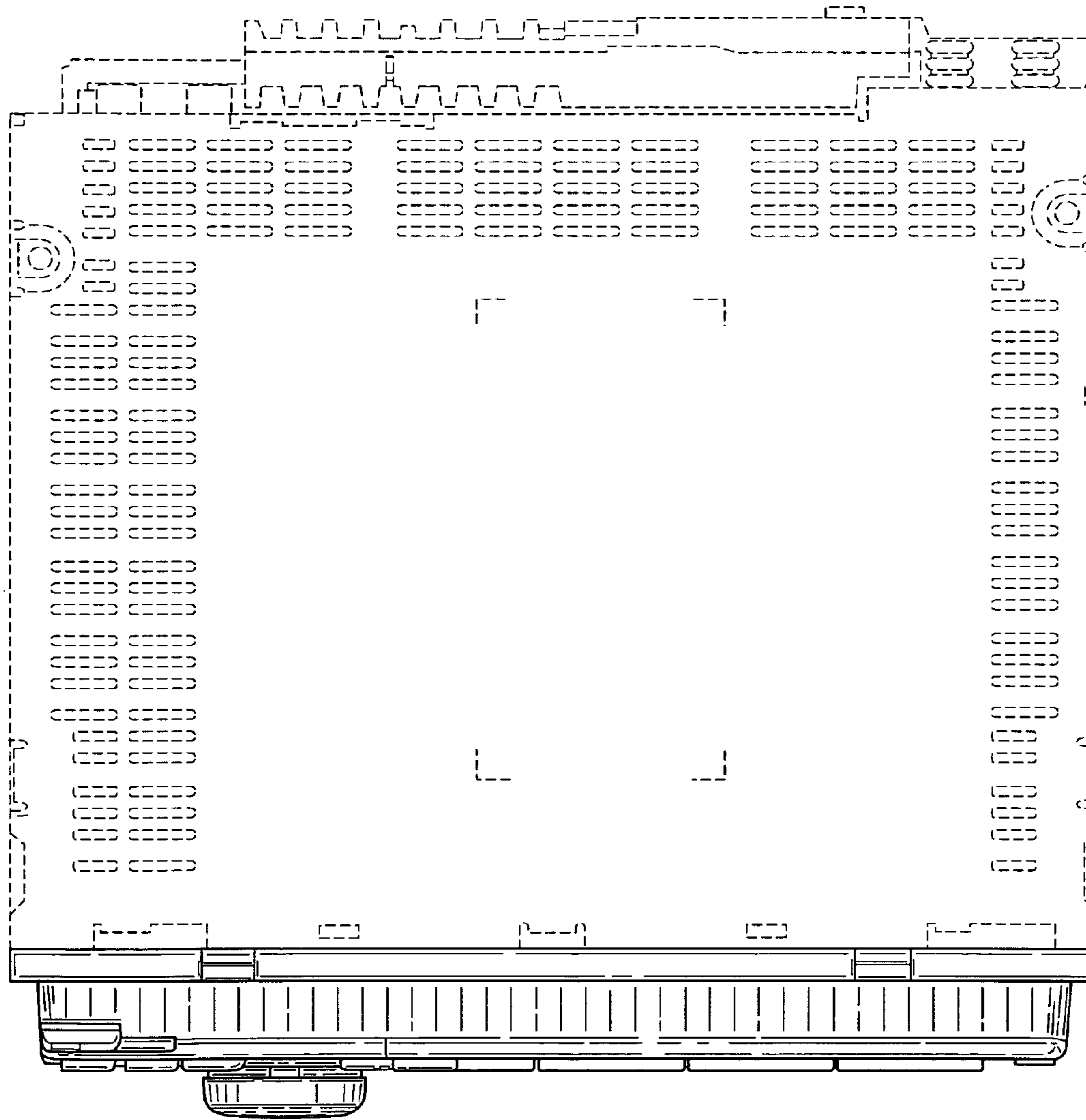


Fig. 5

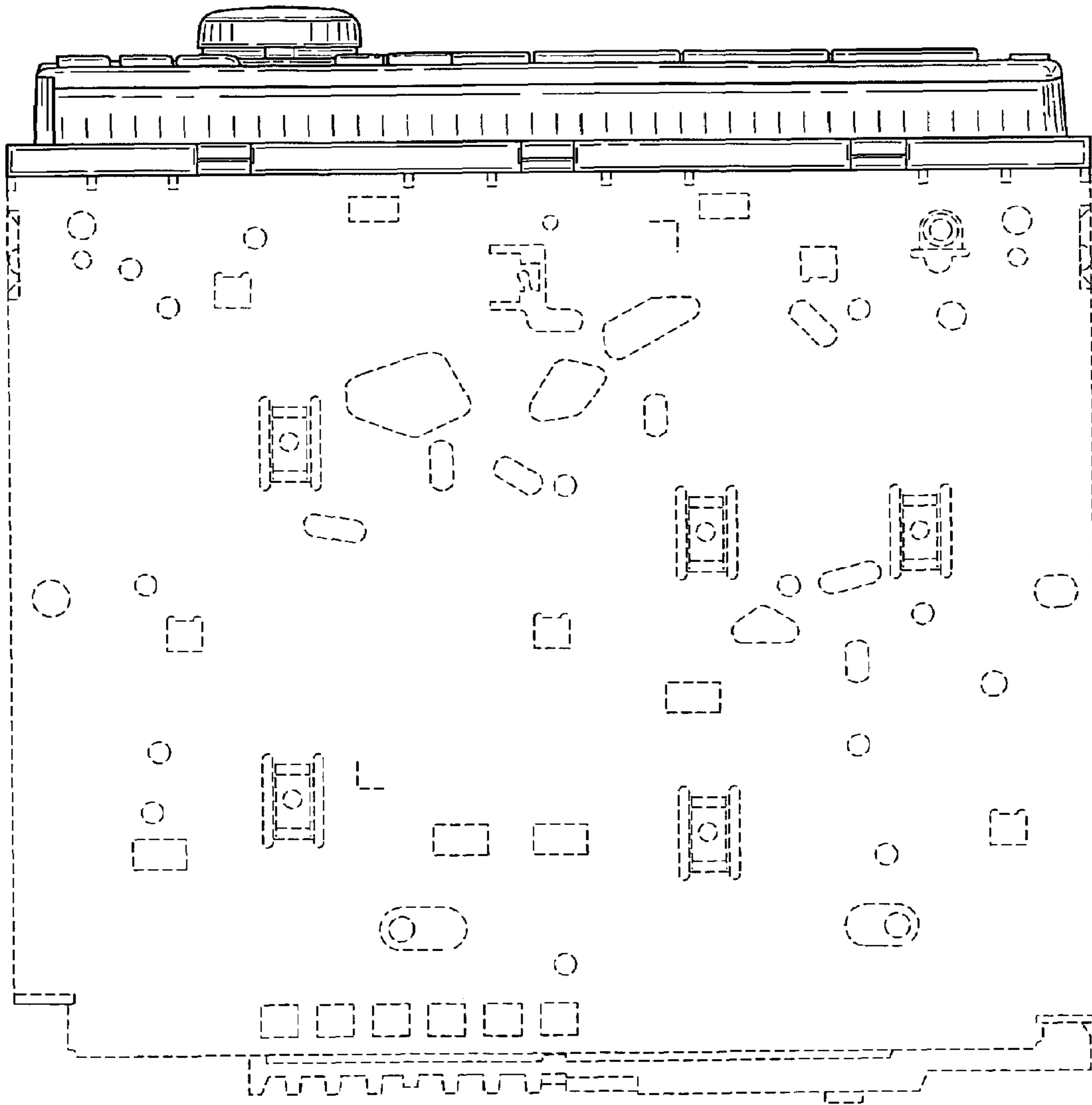


Fig. 6

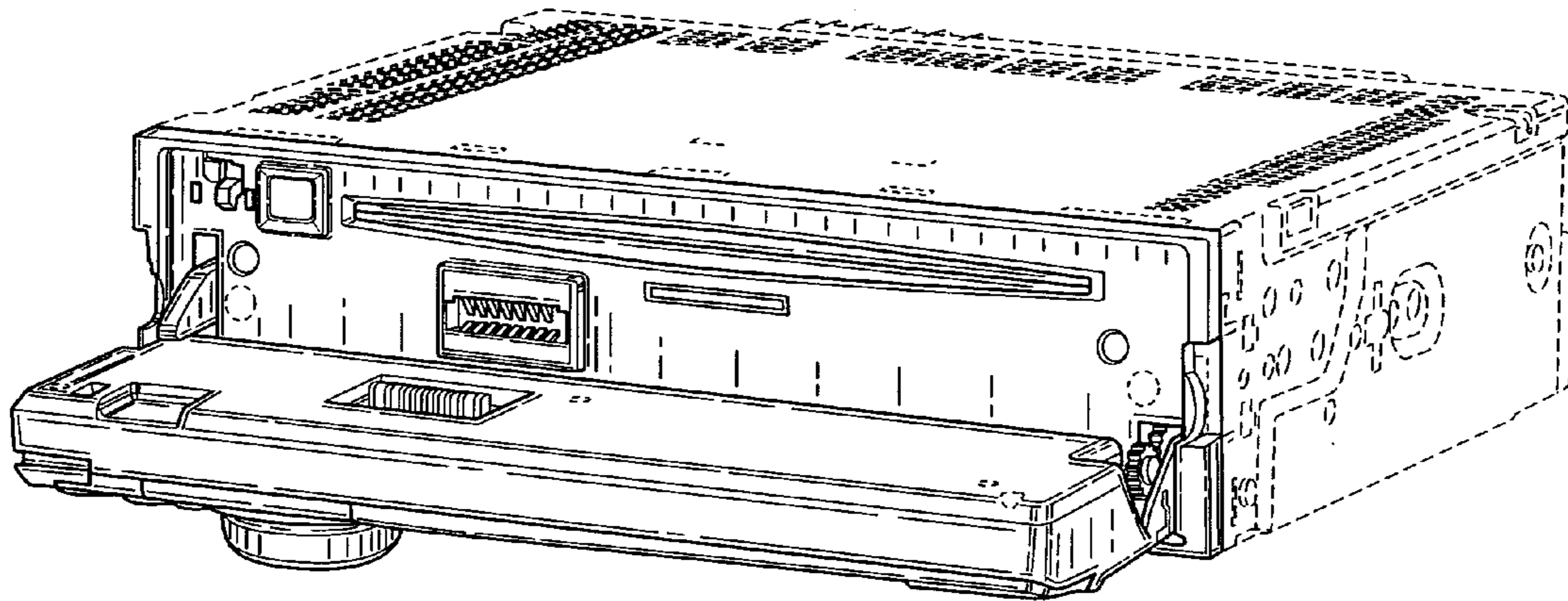


Fig. 7

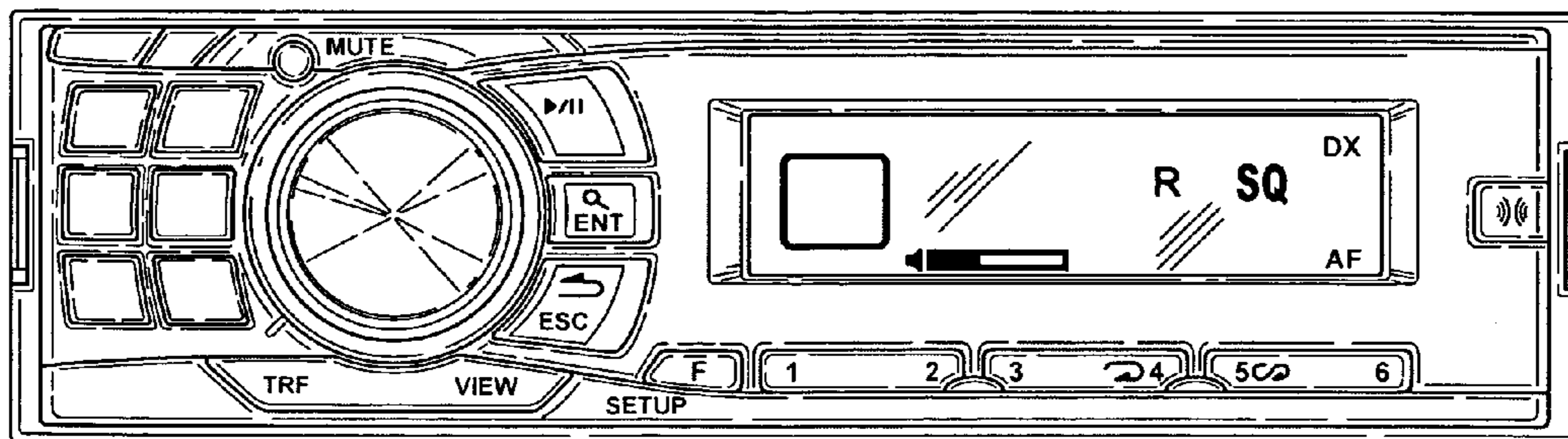


Fig. 8