



US00D593975S

(12) **United States Design Patent**  
**Yokota et al.**

(10) **Patent No.:** **US D593,975 S**  
(45) **Date of Patent:** **\*\* \*Jun. 9, 2009**

(54) **TELEVISION RECEIVER**

(75) Inventors: **Hiroaki Yokota**, Tokyo (JP); **Takuo Ikeda**, Tokyo (JP); **Keiko Densho**, Tokyo (JP); **Yasuhide Hosoda**, Tokyo (JP); **Eijiro Mori**, Tokyo (JP); **Hidenori Karasawa**, Tokyo (JP)

(73) Assignee: **Sony Corporation**, Tokyo (JP)

(\*) Notice: This patent is subject to a terminal disclaimer.

(\*\*) Term: **14 Years**

(21) Appl. No.: **29/290,370**

(22) Filed: **Nov. 28, 2007**

(51) **LOC (9) Cl.** ..... **14-03**

(52) **U.S. Cl.** ..... **D14/126**

(58) **Field of Classification Search** ..... D14/125-134, D14/239, 371, 136, 374-377, 440, 450, 448, D14/336, 342; 312/7.2; 348/836, 838, 180, 348/184, 325, 739; 341/12; 248/917-924, 248/465; 345/104, 133, 156, 168, 87, 173; 720/605, 669, 600, 655; 369/99, 197; 455/344, 455/347; D21/329, 515, 577, 622, 333, 433, D21/448, 452, 450, 331; D6/477, 479; 273/148 B; 446/484, 175, 356; D10/15, 26  
See application file for complete search history.

(56) **References Cited**

**U.S. PATENT DOCUMENTS**

D436,106 S \* 1/2001 Mohamed ..... D14/371

D460,952 S 7/2002 Kataoka  
D461,786 S \* 8/2002 Maruyama ..... D14/126  
D469,744 S \* 2/2003 Lam ..... D14/126  
D518,801 S \* 4/2006 Hoehn et al. .... D14/129  
D533,152 S \* 12/2006 Nakata ..... D14/126  
D534,509 S \* 1/2007 Rashid ..... D14/126

\* cited by examiner

*Primary Examiner*—Raphael Barkai  
(74) *Attorney, Agent, or Firm*—Rader, Fishman & Grauer, PLLC

(57) **CLAIM**

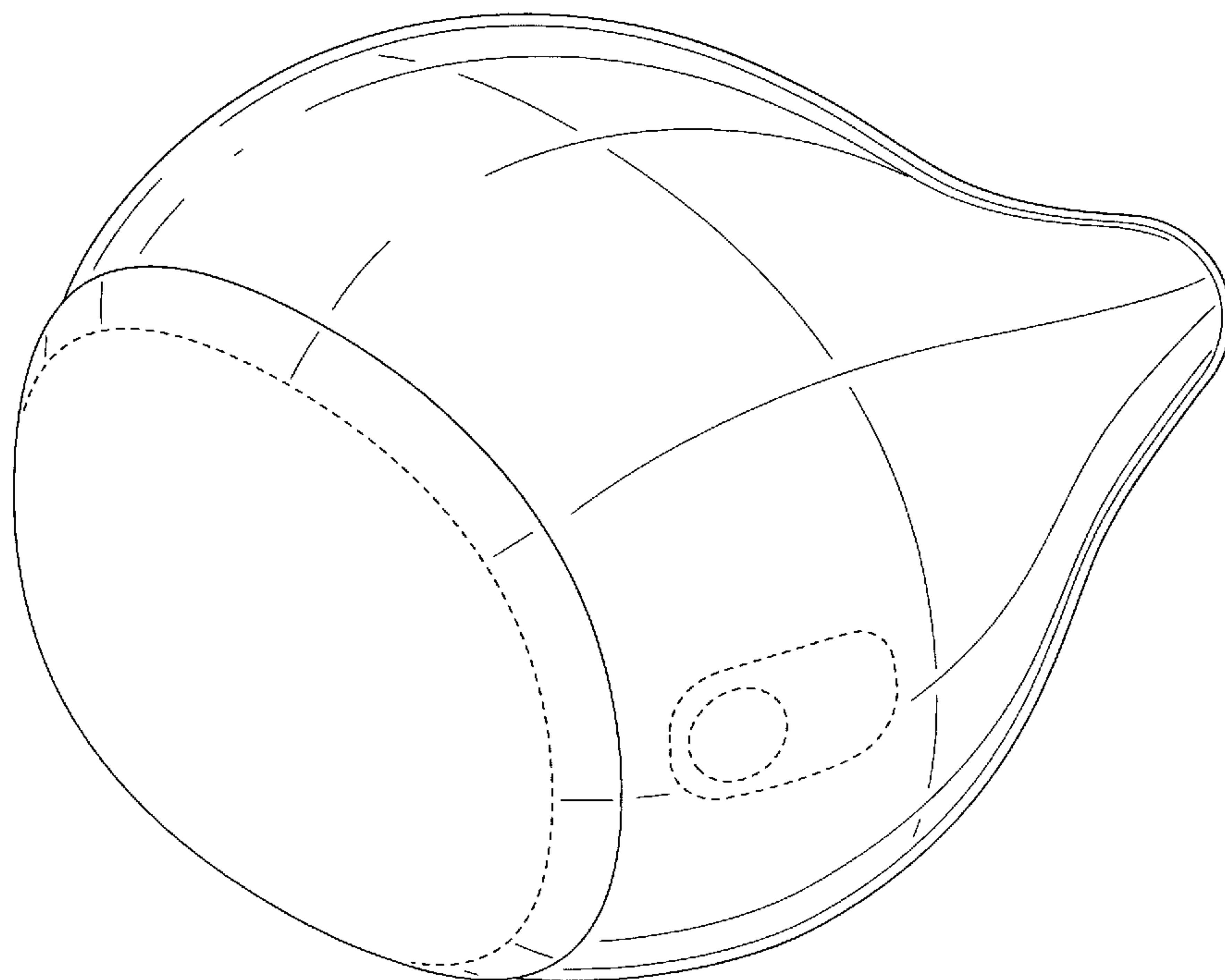
The ornamental design for a television receiver, as shown and described.

**DESCRIPTION**

FIG. 1 is a perspective view of a television receiver showing our new design;  
FIG. 2 is a front elevational view thereof;  
FIG. 3 is a rear elevation view thereof;  
FIG. 4 is a left side elevational view thereof;  
FIG. 5 is a right side elevational view thereof;  
FIG. 6 is a top plan view thereof; and,  
FIG. 7 is a bottom plan view thereof.

The portions indicated in broken lines are for illustrative purposes only and form no part of the claimed design.

**1 Claim, 7 Drawing Sheets**



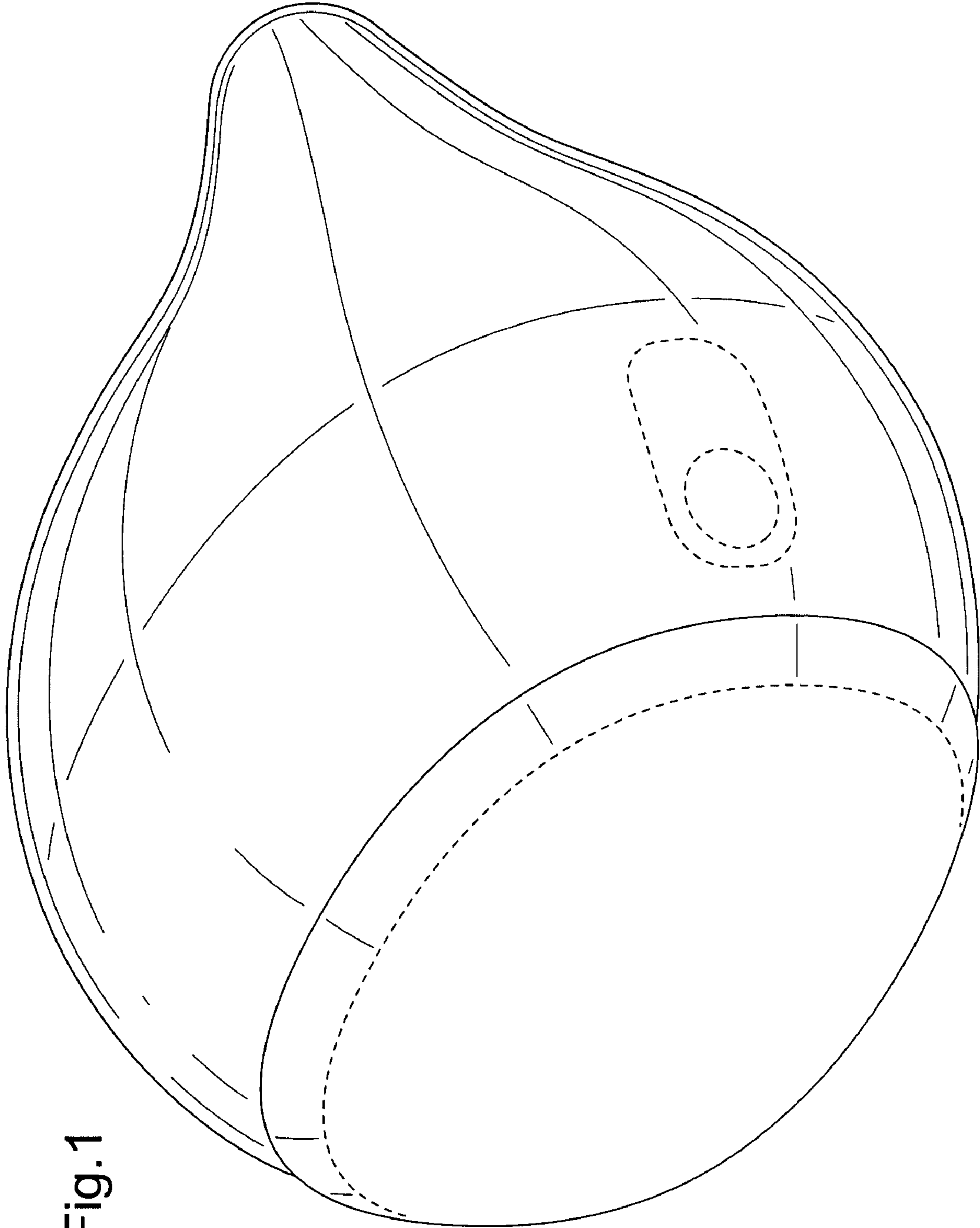


Fig.1

Fig.2

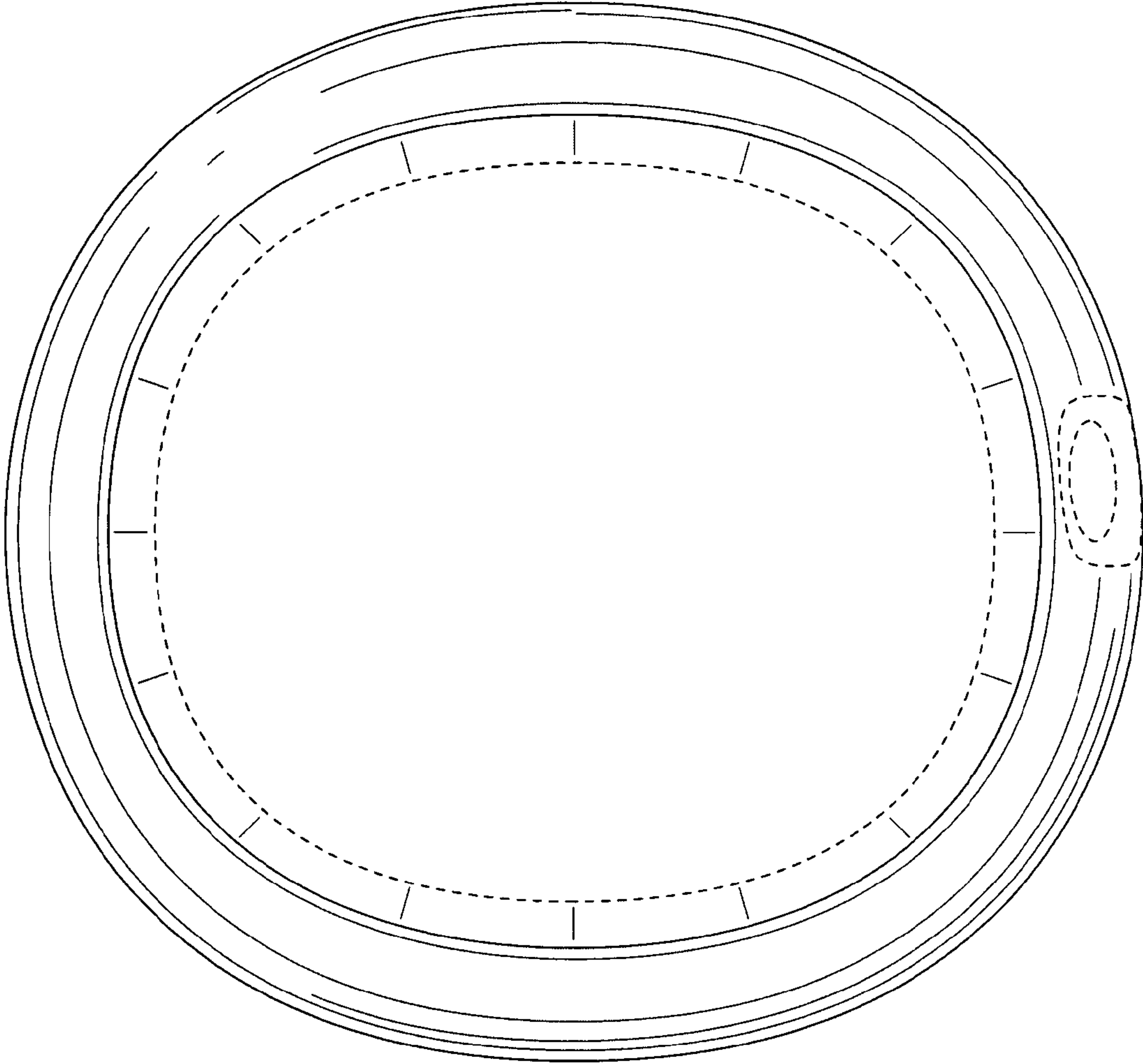
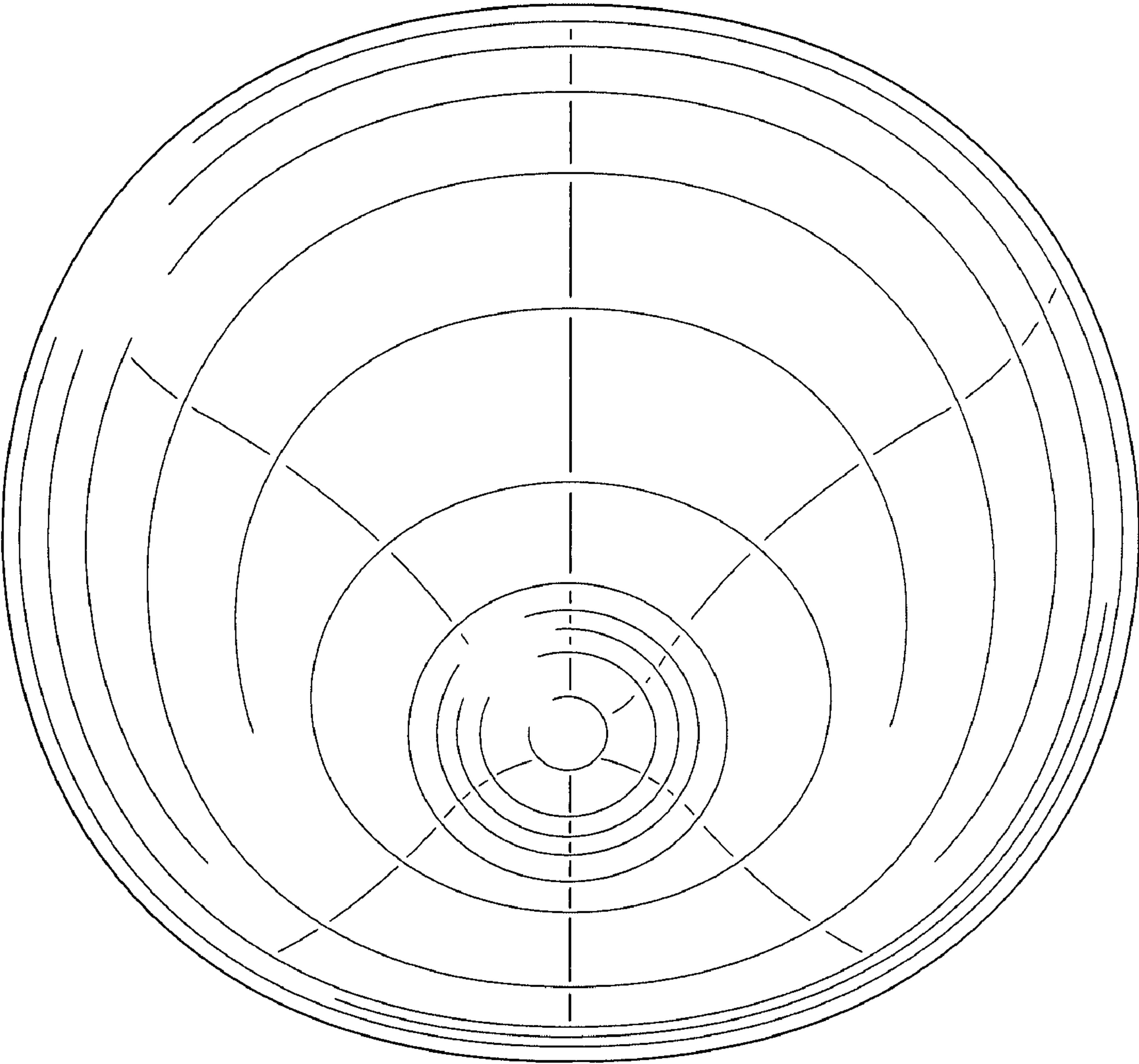


Fig.3



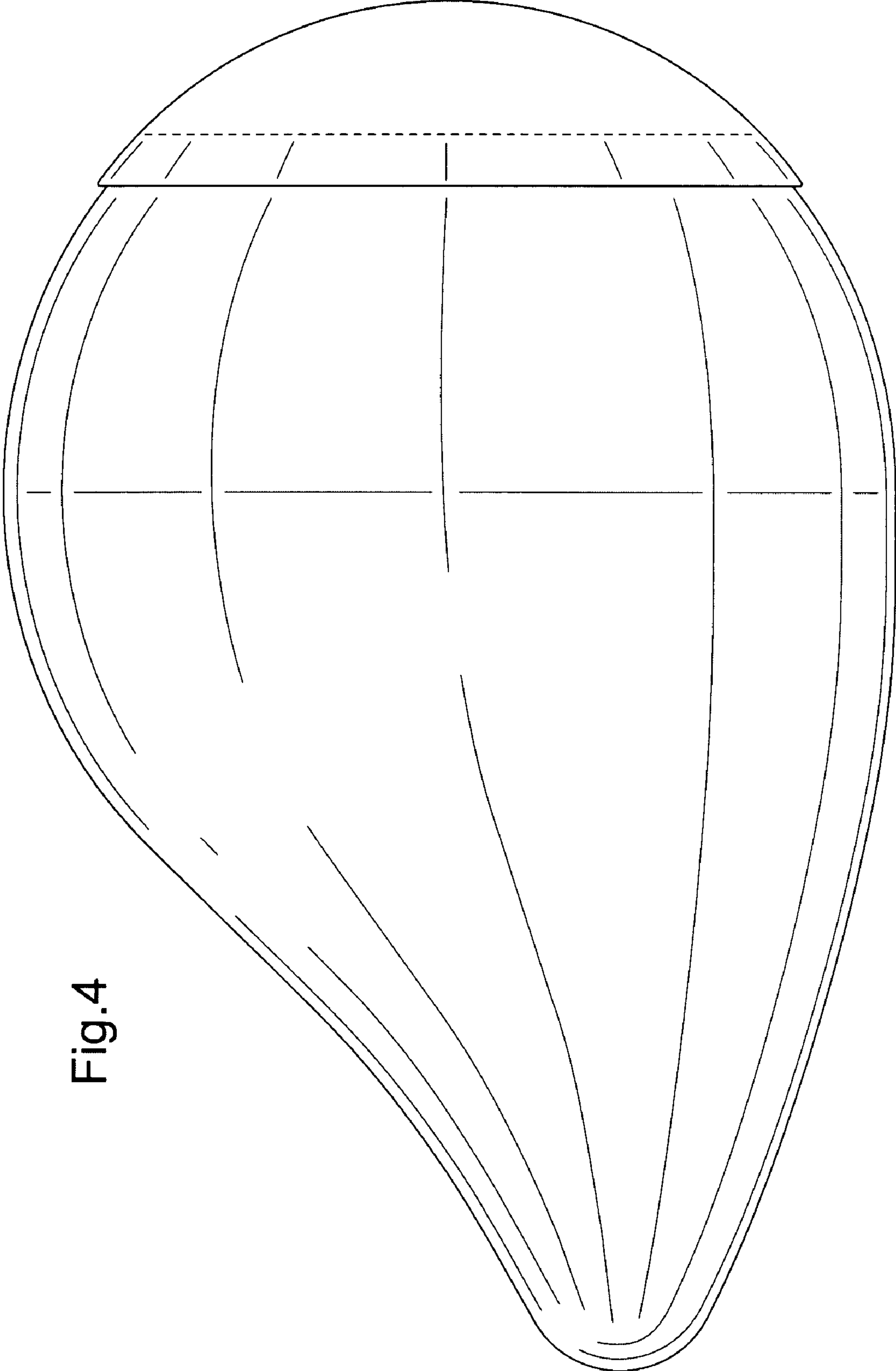


Fig.4



Fig.5

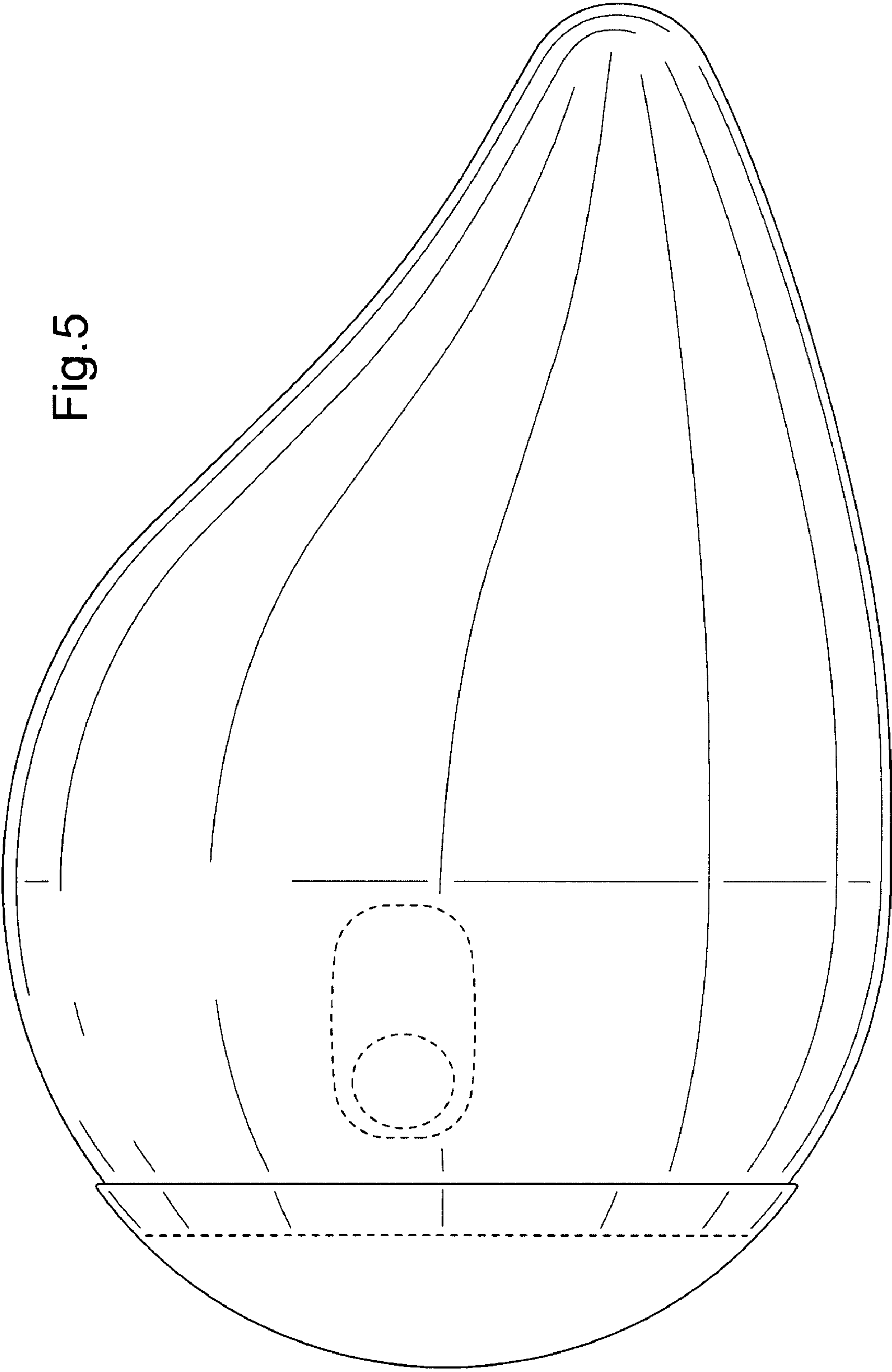


Fig.6

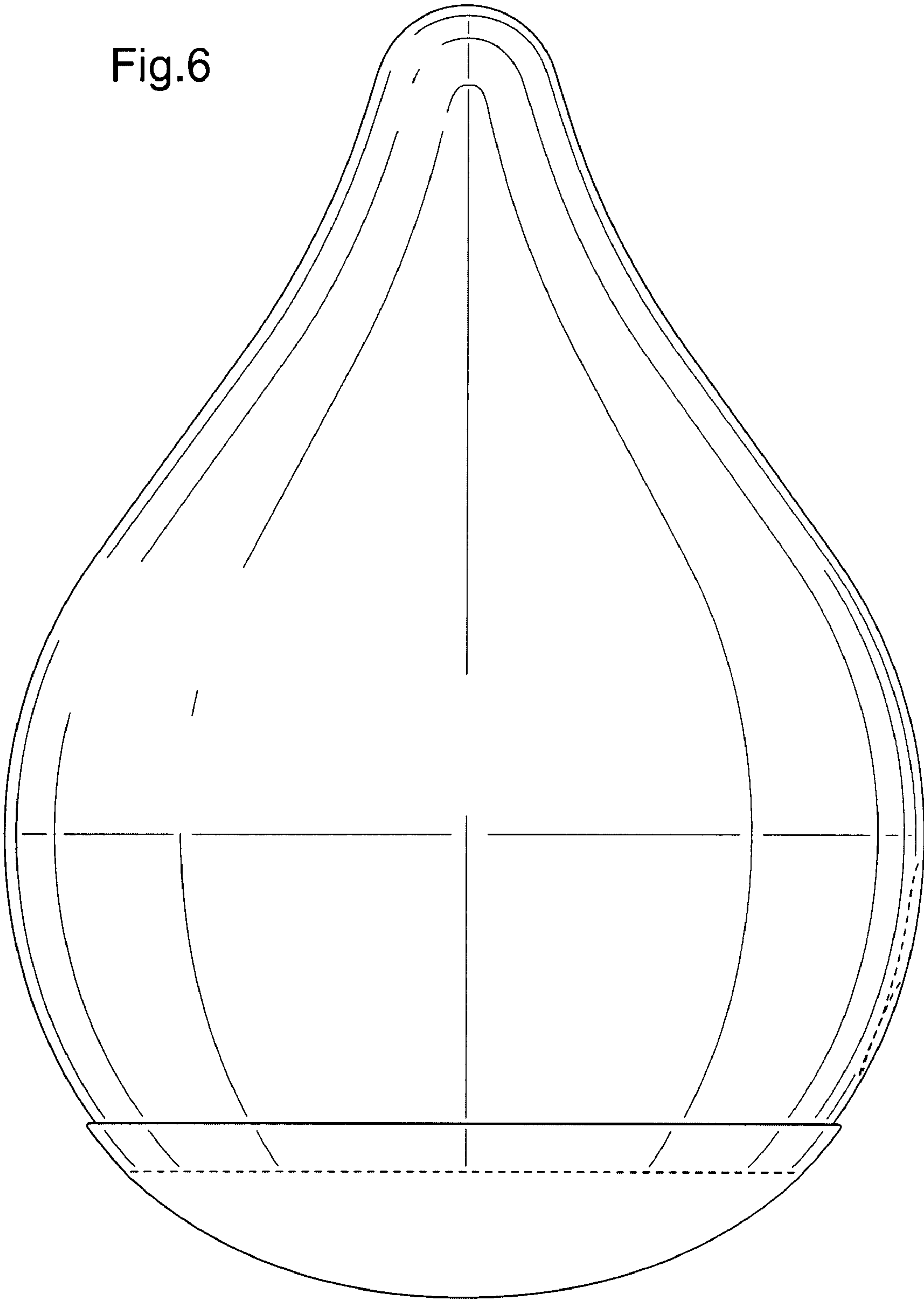


Fig.7

