



US00D593974S

(12) **United States Design Patent**  
**Yang et al.**

(10) **Patent No.:** **US D593,974 S**  
(45) **Date of Patent:** **\*\* Jun. 9, 2009**

(54) **LCD TELEVISION SET**

D576,580 S \* 9/2008 Olivet ..... D14/126

(75) Inventors: **Jun-Ho Yang**, Kyunggi-do (KR);  
**Yun-Je Kang**, Kyunggi-do (KR)

(73) Assignee: **Samsung Electronics Co., Ltd.**,  
Kyunggi-do (KR)

(\*\*) Term: **14 Years**

(21) Appl. No.: **29/269,013**

(22) Filed: **Nov. 17, 2006**

(51) **LOC (9) Cl.** ..... **14-03**

(52) **U.S. Cl.** ..... **D14/126**

(58) **Field of Classification Search** ..... D14/125-134,  
D14/239, 371, 136, 374-377, 440, 450, 448,  
D14/336, 342; 312/7.2; 348/836, 838, 180,  
348/184, 325, 739; 341/12; 248/917-924,  
248/465; 345/104, 133, 156, 168, 87, 173;  
720/605, 669, 600, 655; 369/99, 197; 455/344,  
455/347; D21/329, 515, 577, 622, 333, 433,  
D21/448, 452, 450, 331; D6/477, 479; 273/148 B;  
446/484, 175, 356; D10/15, 26

See application file for complete search history.

(56) **References Cited**

**U.S. PATENT DOCUMENTS**

D494,941 S	8/2004	Kim	
D499,386 S	12/2004	Yang	
D512,424 S	12/2005	Kim	
D521,511 S	5/2006	Kim et al.	
D521,996 S	5/2006	Kim et al.	
D521,997 S	5/2006	Park et al.	
D522,509 S	6/2006	Park et al.	
D524,313 S	7/2006	Boo et al.	
D527,003 S	8/2006	Kim et al.	
D528,115 S	9/2006	Yoon	
D528,116 S	9/2006	Won et al.	
D529,910 S	10/2006	Ota	
D567,200 S	* 4/2008	Rieu Piquet	..... D14/126
D567,201 S	* 4/2008	Profit	..... D14/126
D567,202 S	* 4/2008	Rieu Piquet	..... D14/126
D574,343 S	* 8/2008	Olivet	..... D14/126

**OTHER PUBLICATIONS**

U.S. Appl. No. 29/218,855, Applicant: Seung-Ho Lee, et al., filed Dec. 8, 2004 entitled LCD TV.  
U.S. Appl. No. 29/218,856, Applicant: Seung-Ho Lee, et al., filed Dec. 8, 2004 entitled LCD TV.  
U.S. Appl. No. 29/228,024, Applicant: Ki-Soo Kim, et al., filed Apr. 19, 2005 entitled LCD Television.  
U.S. Appl. No. 29/256,593, Applicant: Jae-Beom Park, et al., filed Mar. 22, 2006 entitled LCD Monitor.  
U.S. Appl. No. 29/263,587, Applicant: Yong-Joo Lee, et al., filed Jul. 26, 2006 entitled LCD Monitor.  
U.S. Appl. No. 29/263,583, Applicant: Ki-Soo Kim, et al., filed Jul. 26, 2006 entitled LCD Monitor.  
U.S. Appl. No. 29/236,966, Applicant: Jun-Ho Yang, et al., filed Aug. 24, 2005 entitled LCD Television.  
U.S. Appl. No. 29/236,965, Applicant: Jun-Ho Yang, et al., filed Aug. 24, 2005 entitled Television.  
U.S. Appl. No. 29/264,715, Applicant: Tetsu Kataoka, et al., filed Aug. 16, 2006 entitled LCD Monitor.

(Continued)

*Primary Examiner*—Raphael Barkai  
(74) *Attorney, Agent, or Firm*—Flynn, Thiel, Boutell & Tanis, P.C.

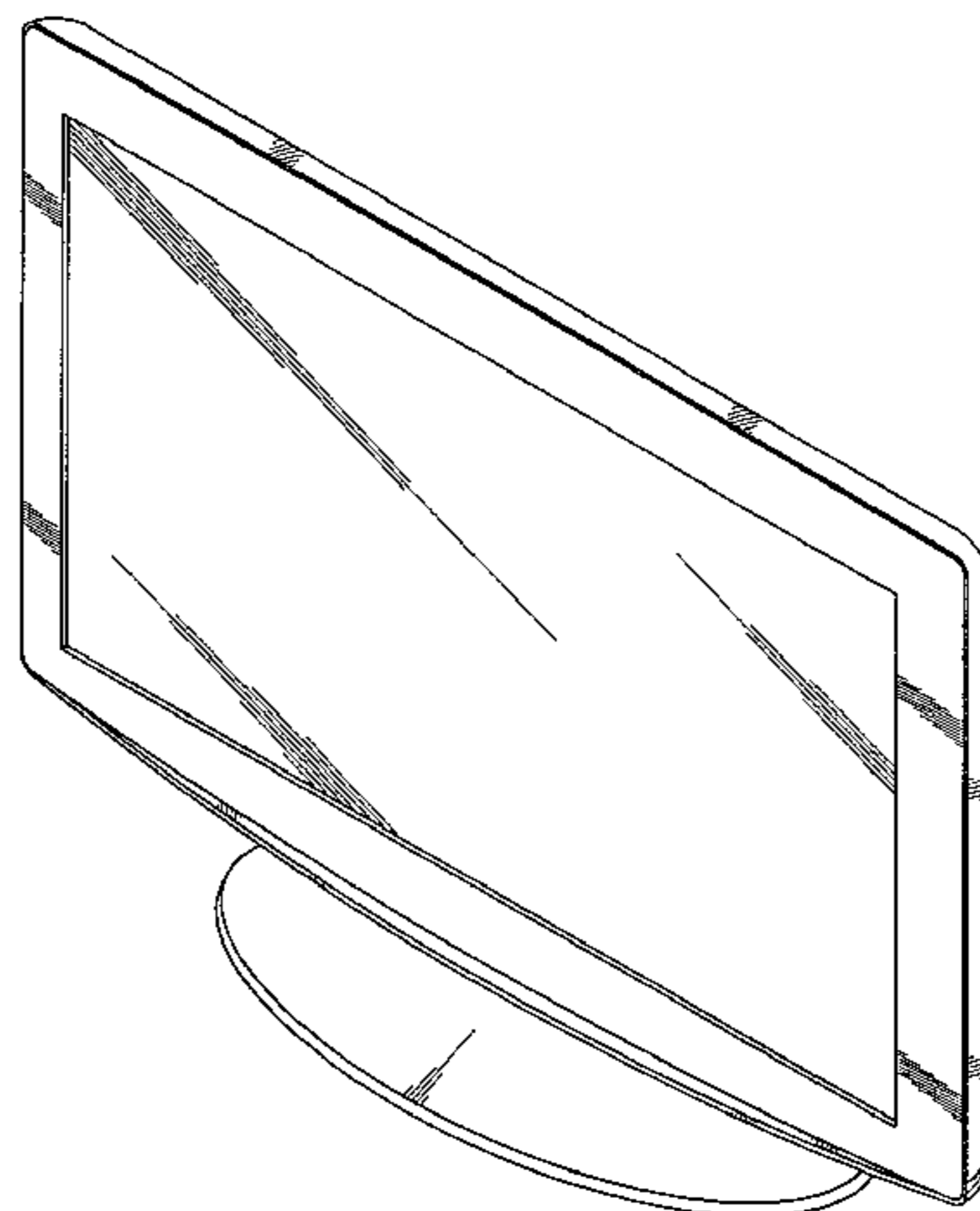
(57) **CLAIM**

The ornamental design for a LCD television set, as shown and described.

**DESCRIPTION**

FIG. 1 is a top front perspective view of a LCD television set showing our new design;  
FIG. 2 is a front elevational view thereof;  
FIG. 3 is a rear elevational view thereof;  
FIG. 4 is a left side elevational view thereof, the right side being a mirror image;  
FIG. 5 is a top plan view thereof; and,  
FIG. 6 is a bottom plan view.

**1 Claim, 4 Drawing Sheets**



OTHER PUBLICATIONS

U.S. Appl. No. 29/263,580, Applicant: Tae-Yeon Won, et al., filed Jul. 26, 2006 entitled LCD Monitor.

U.S. Appl. No. 29/258,368, Applicant: Tae-Yeon Won, et al., filed Apr. 20, 2006 entitled LCD Monitor.

U.S. Appl. No. 29/258,362, Applicant: Eui-Seok Kim, filed Apr. 20, 2006 entitled LCD Monitor.

U.S. Appl. No. 29/258,364, Applicant: Eui-Seok Kim, filed Apr. 20, 2006 entitled LCD Monitor.

U.S. Appl. No. 29/258,365, Applicant: Eui-Seok Kim, filed Apr. 20, 2006 entitled LCD Monitor.

U.S. Appl. No. 29/258,366, Applicant: Eui-Seok Kim, filed Apr. 20, 2006 entitled LCD Monitor.

U.S. Appl. No. 29/258,363, Applicant: Eui-Seok Kim, filed Apr. 20, 2006 entitled LCD Monitor.

U.S. Appl. No. 29/258,367, Applicant: Eui-Seok Kim, filed Apr. 20, 2006 entitled LCD Monitor.

U.S. Appl. No. 29/258,360, Applicant: Eui-Seok Kim, filed Apr. 20, 2006 entitled LCD Monitor.

U.S. Appl. No. 29/265,880, Applicant: Eui-Seok Kim, et al., filed Sep. 11, 2006 entitled LCD Monitor.

U.S. Appl. No. 29/263,587, Applicant: Yong-Joo Lee, et al. entitled LCD Monitor.

U.S. Appl. No. 29/263,582, Applicant: Jae-Beom Park, et al., filed Jul. 26, 2006 entitled LCD Monitor.

U.S. Appl. No. 29/263,585, Applicant: Seung-Ho Lee, et al., filed Jul. 26, 2006 entitled LCD Television Set.

U.S. Appl. No. 29/269,009, Applicant: Jun-Ho Yang, et al., filed Nov. 17, 2006 entitled PDP Television Receiver.

U.S. Appl. No. 29/269,015, Applicant: Jun-Ho Yang, et al., filed Nov. 17, 2006 entitled PDP Television Receiver.

\* cited by examiner

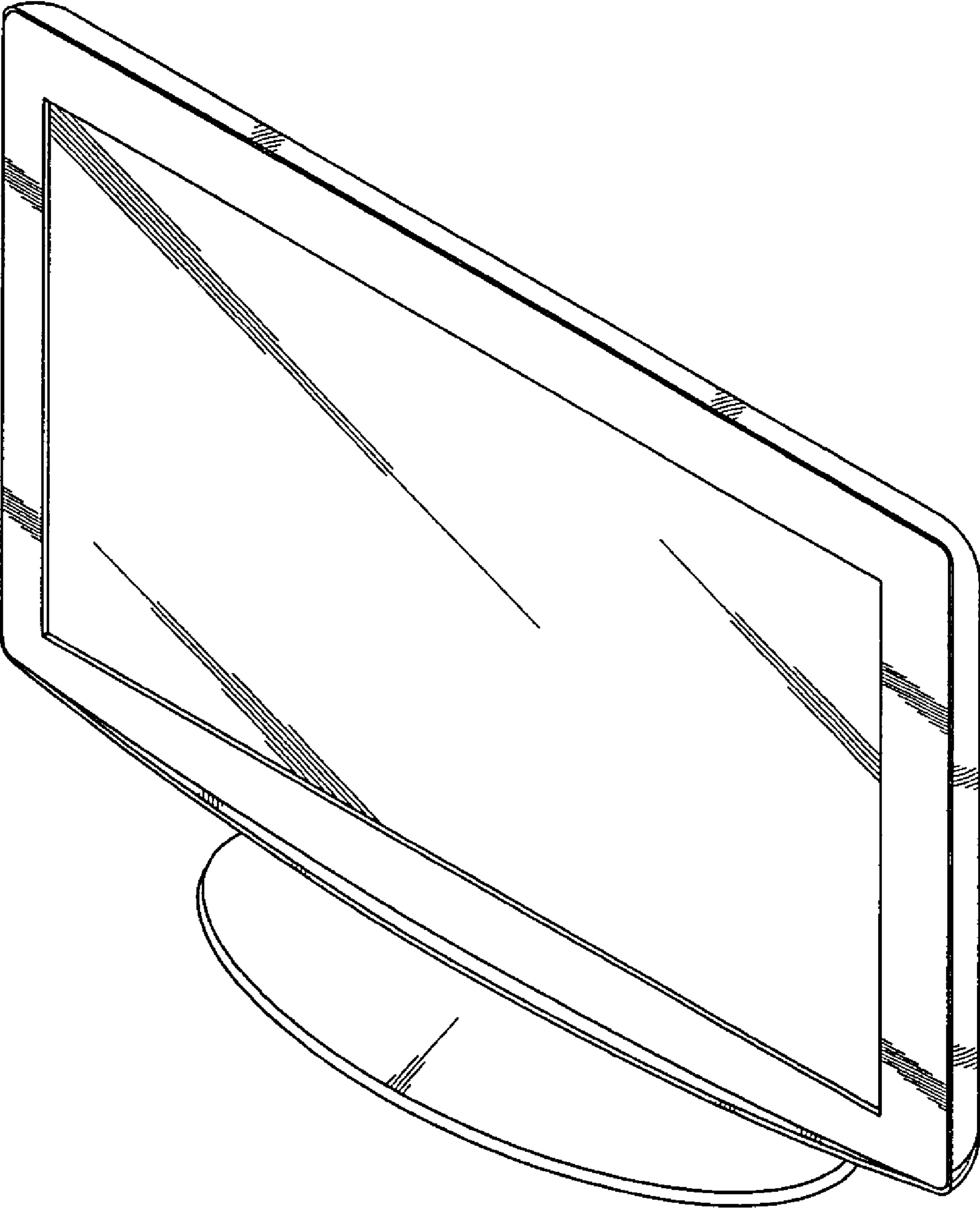


FIG. 1

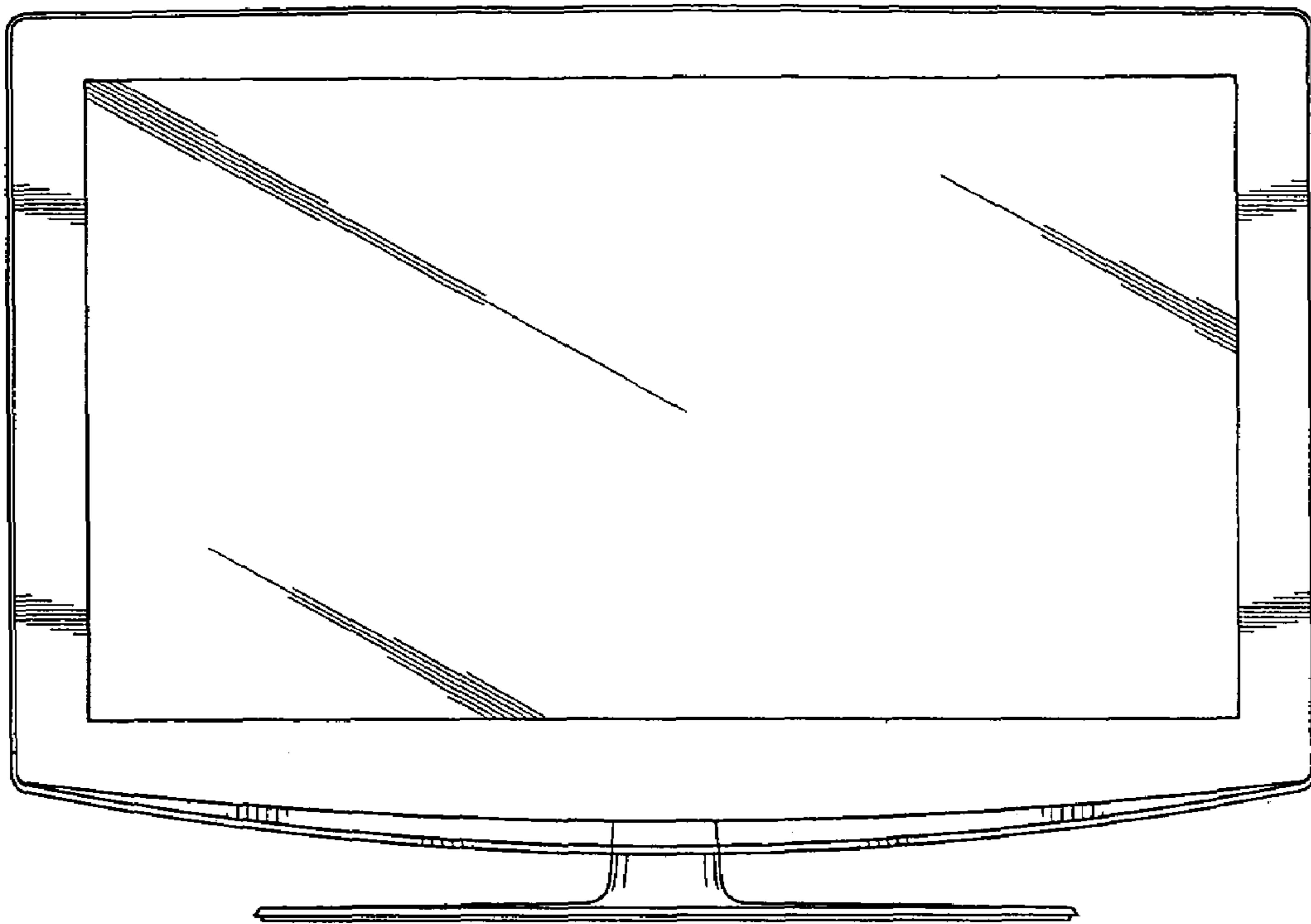


FIG. 2

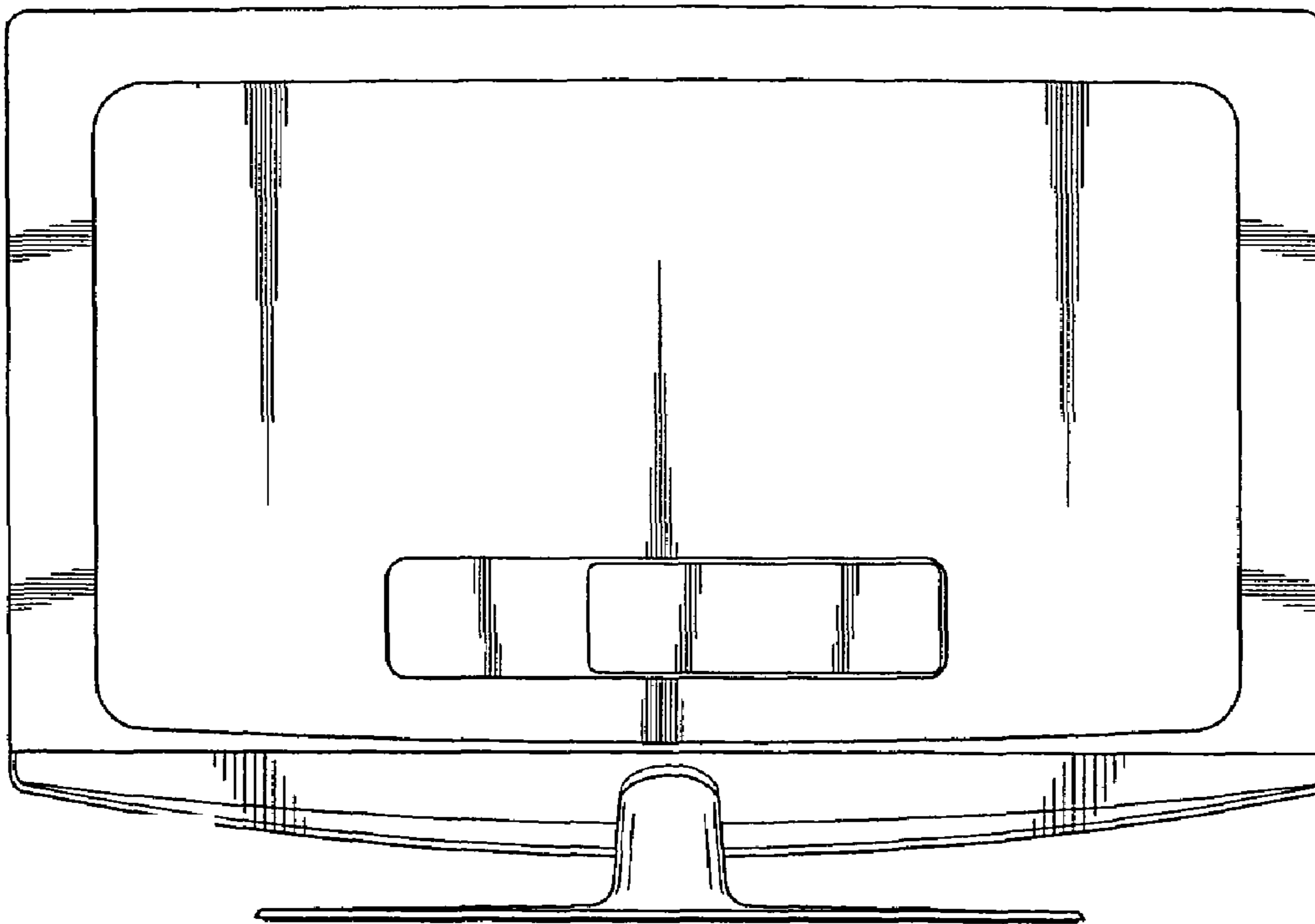


FIG. 3

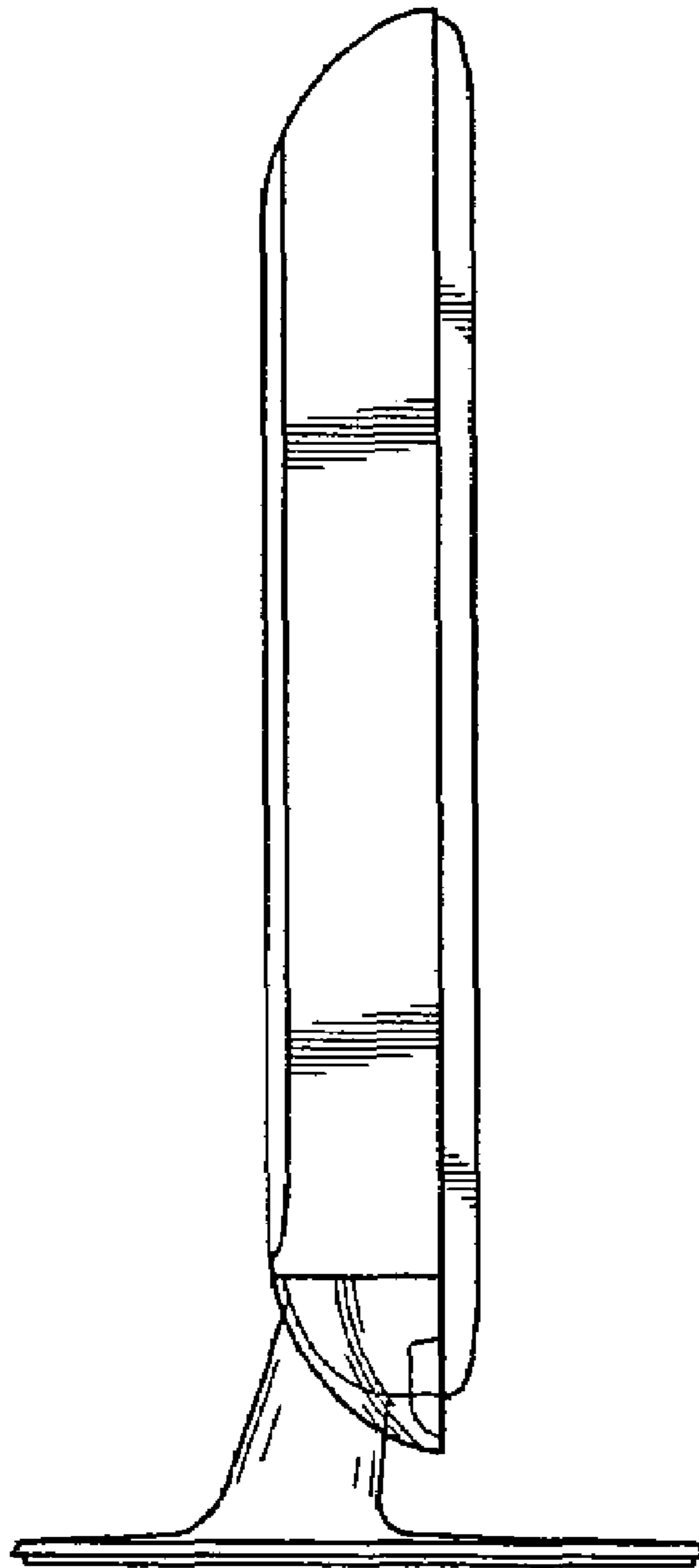


FIG. 4

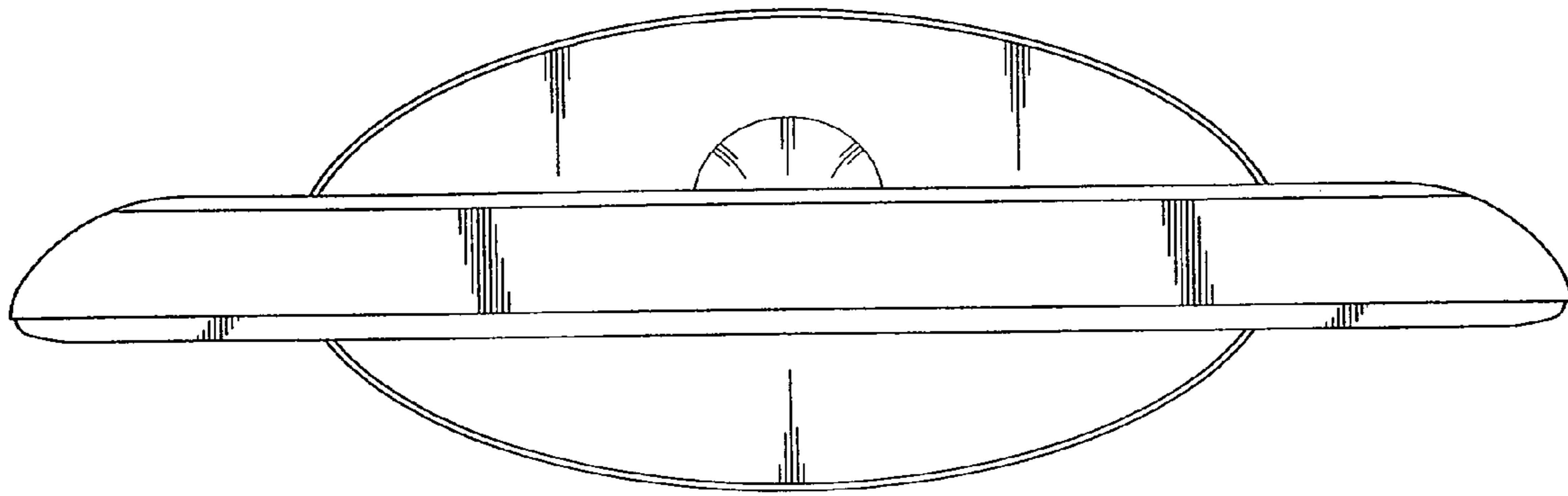


FIG. 5

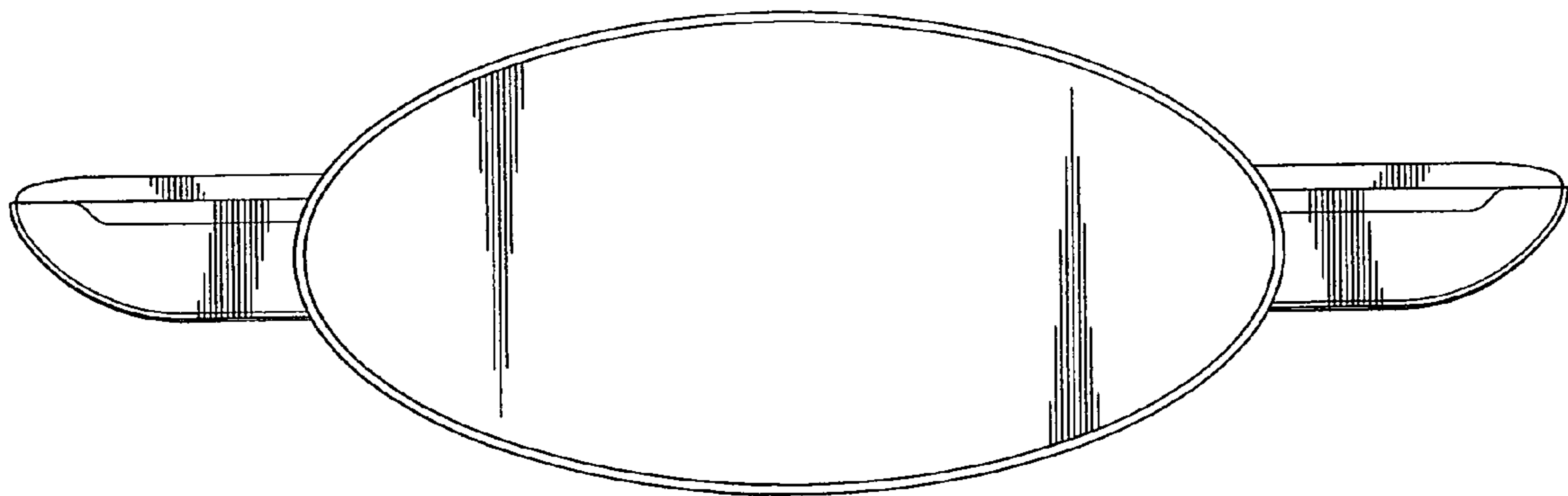


FIG. 6