



US00D593973S

(12) **United States Design Patent**  
**Cho et al.**

(10) **Patent No.:** **US D593,973 S**  
(45) **Date of Patent:** **\*\* Jun. 9, 2009**

(54) **SET TOP BOX**

(75) Inventors: **Chul-Yong Cho**, Seoul (KR);  
**Dae-Joung Kim**, Seoul (KR);  
**Sang-Sung Woo**, Seoul (KR)

(73) Assignee: **Samsung Electronics Co., Ltd.**,  
Suwon-Si (KR)

(\*\*) Term: **14 Years**

(21) Appl. No.: **29/321,638**

(22) Filed: **Jul. 21, 2008**

(51) **LOC (9) Cl.** ..... **14-03**

(52) **U.S. Cl.** ..... **D14/125**

(58) **Field of Classification Search** ..... D14/125-134,  
D14/239, 371, 136, 374-377; 312/7.2; 348/836,  
348/838, 180, 184, 325, 739; 341/12; 248/917-924,  
248/465, 123.11; 345/104, 133, 156, 168,  
345/87, 173, 169; 349/1, 2, 11, 62; 720/605,  
720/669, 600, 655, 99, 197; 455/344-347  
See application file for complete search history.

(56) **References Cited**

**U.S. PATENT DOCUMENTS**

D290,702 S \* 7/1987 Stern et al. .... D14/375  
D523,840 S \* 6/2006 Heath et al. .... D14/188  
D530,686 S \* 10/2006 Reza ..... D14/126  
D539,245 S \* 3/2007 Bischoff ..... D14/126

D547,279 S \* 7/2007 Yokota ..... D14/126  
D564,993 S \* 3/2008 Lee ..... D14/126  
D583,360 S \* 12/2008 Gredler ..... D14/171

\* cited by examiner

*Primary Examiner*—Raphael Barkai  
*Assistant Examiner*—Randall H Gholson  
(74) *Attorney, Agent, or Firm*—Staas & Halsey LLP

(57) **CLAIM**

The ornamental design for a set top box, as shown and described.

**DESCRIPTION**

FIG. 1 is a perspective view of a set top box according to our new design;  
FIG. 2 is a front elevational view thereof;  
FIG. 3 is a rear elevational view thereof;  
FIG. 4 is a left side elevational view thereof;  
FIG. 5 is a right side elevational view thereof;  
FIG. 6 is a top plan view thereof; and,  
FIG. 7 is a bottom plan view thereof.

The broken lines shown on the back of the design is included for the purpose of illustration and forms no part of the claimed design.

**1 Claim, 4 Drawing Sheets**

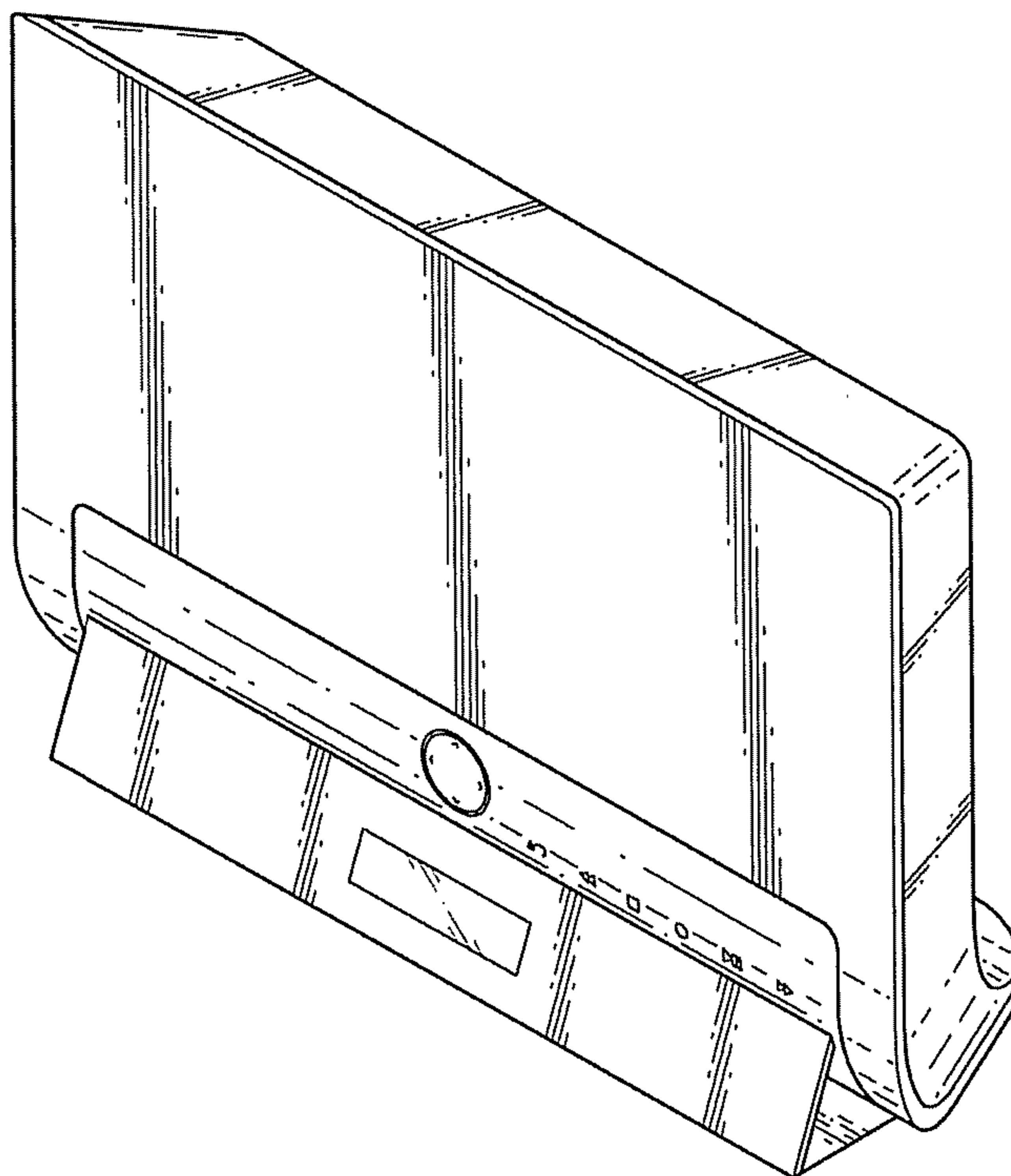


FIG. 1

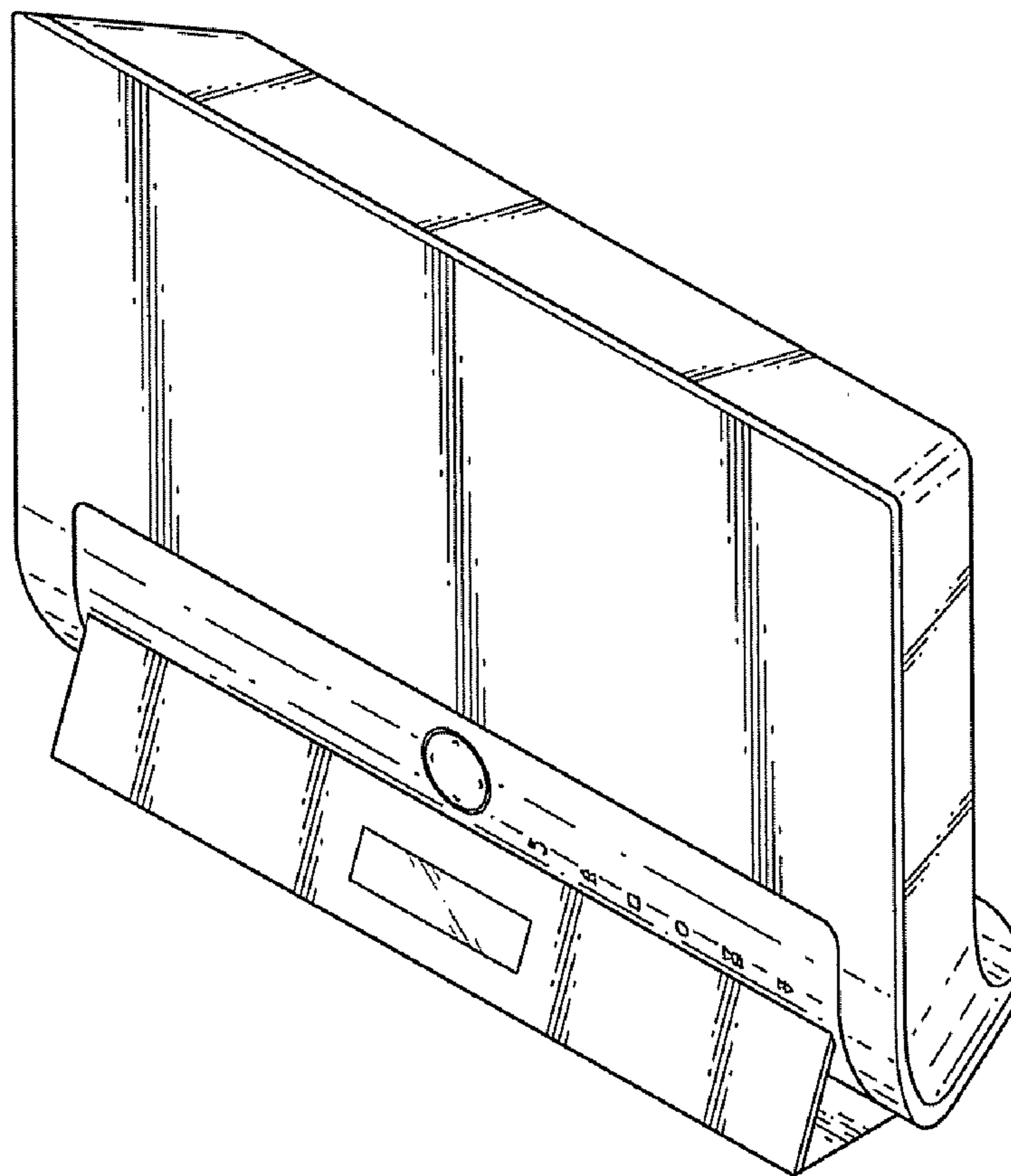


FIG. 2

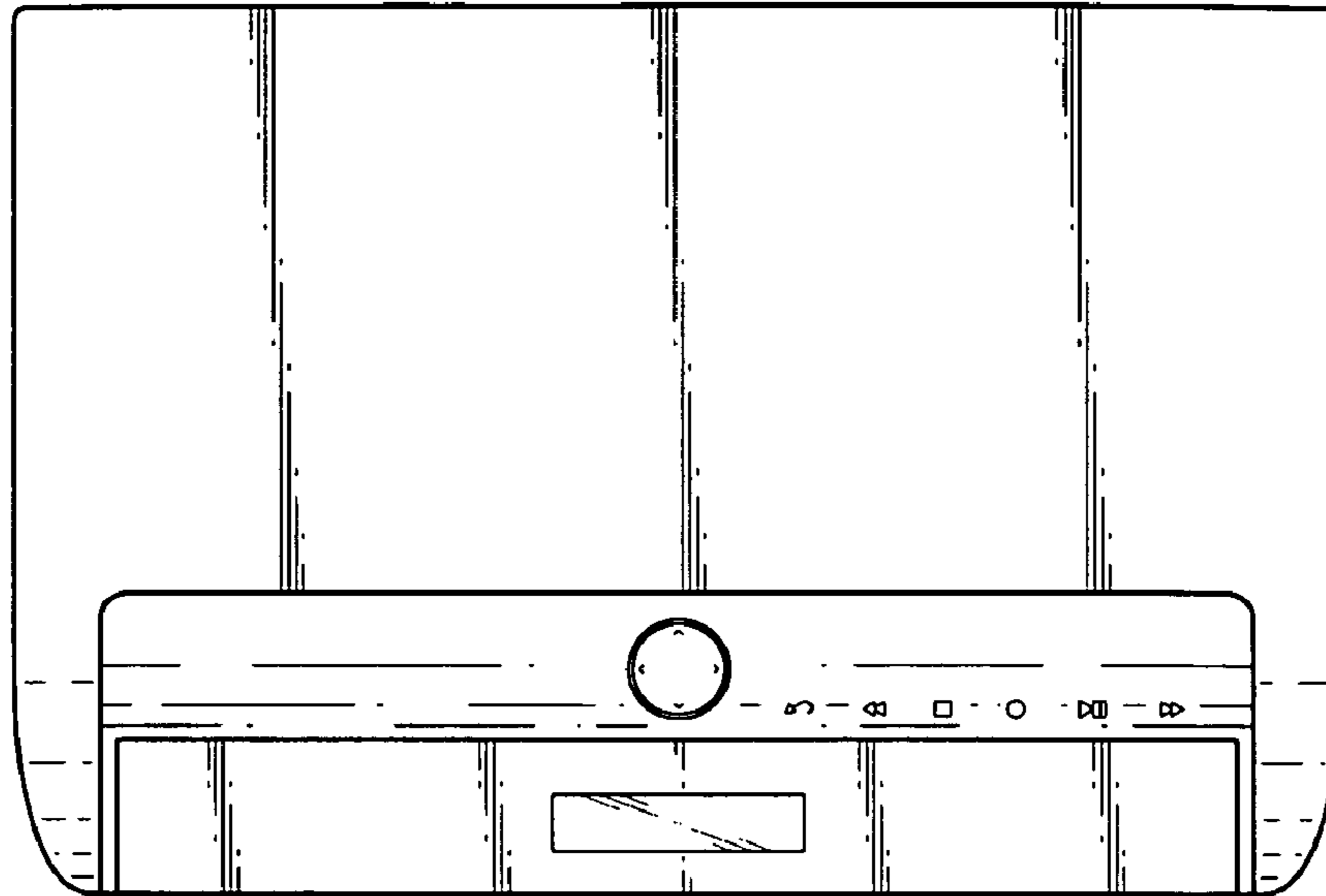


FIG. 3

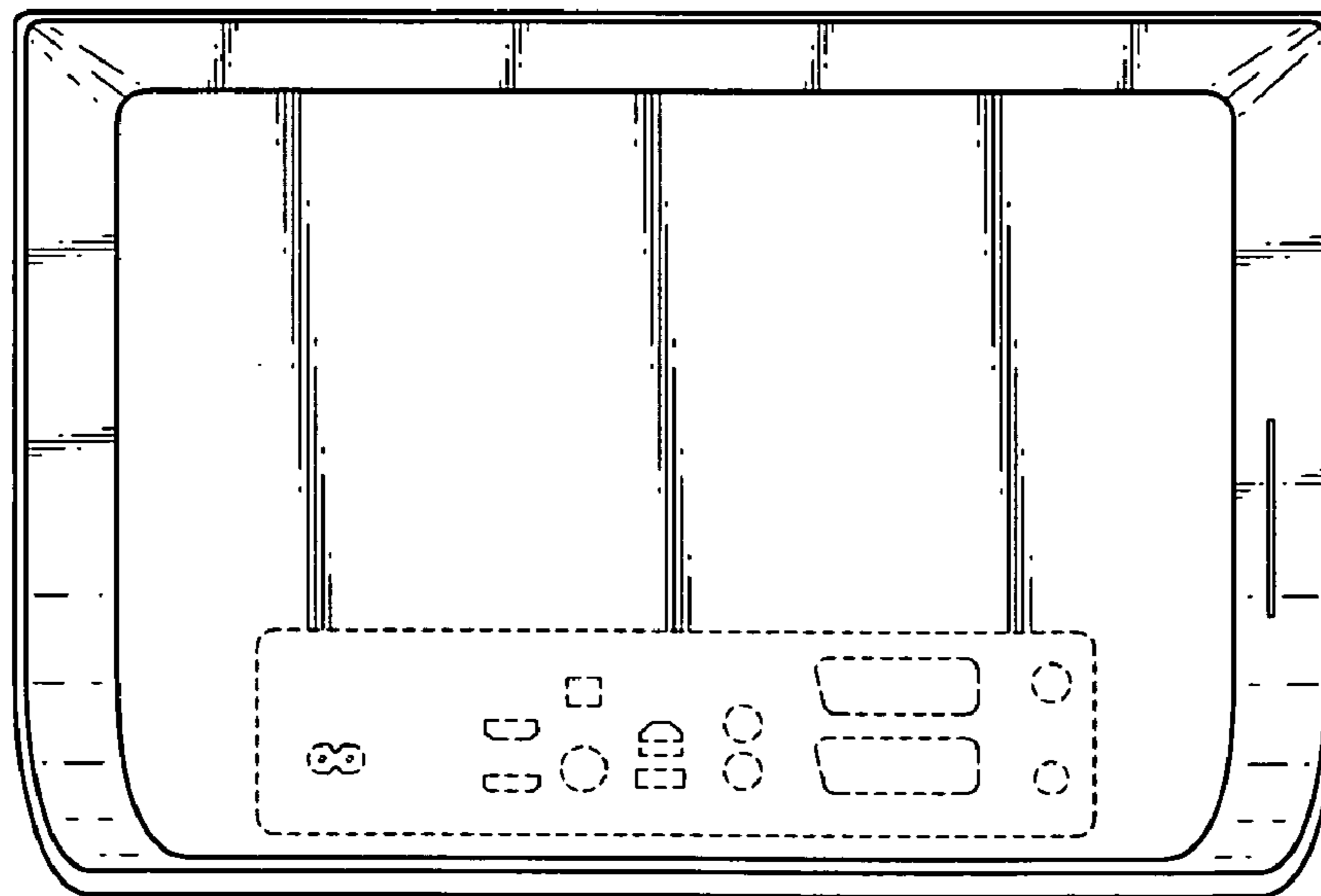


FIG. 4

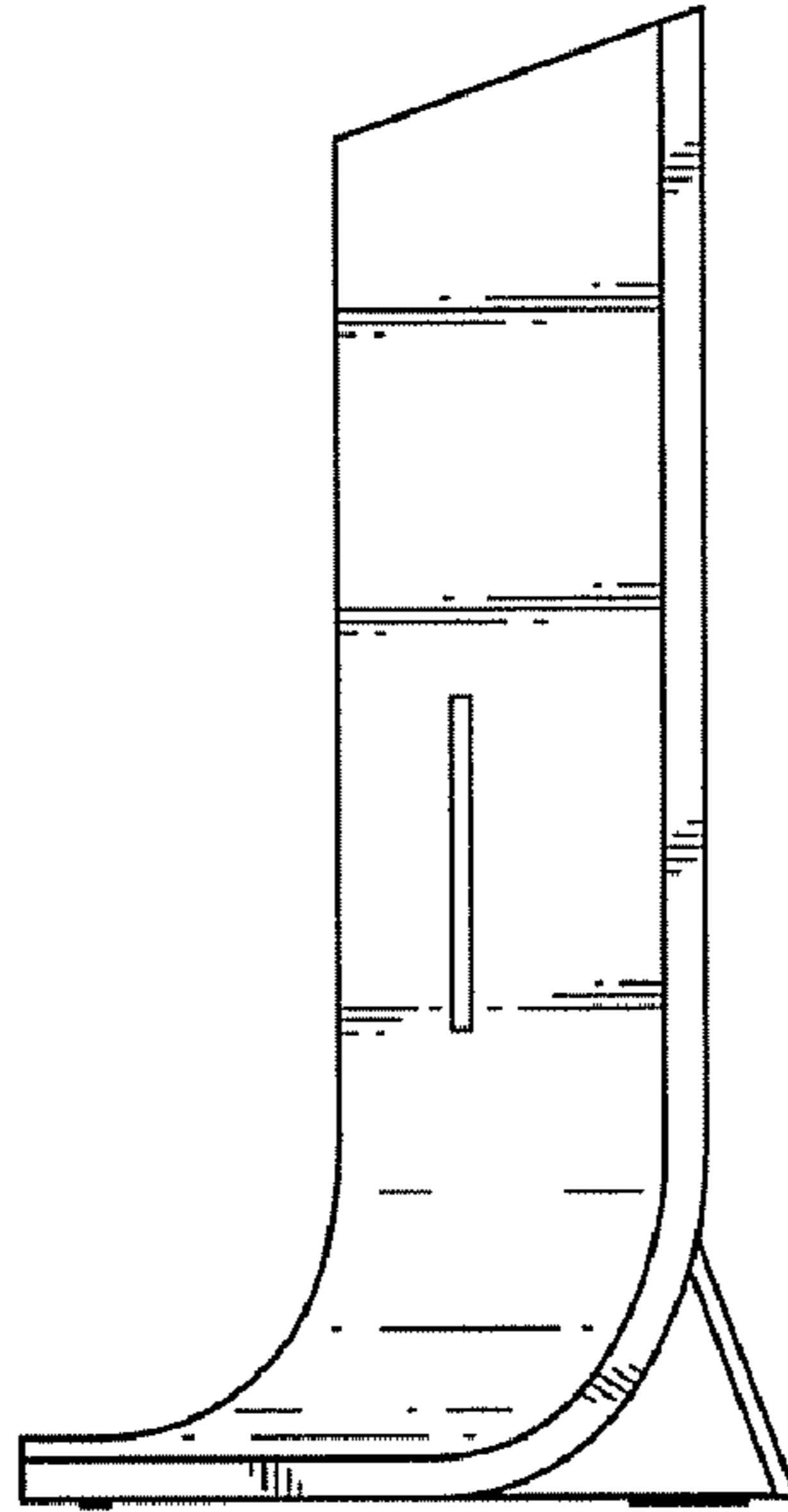


FIG. 5

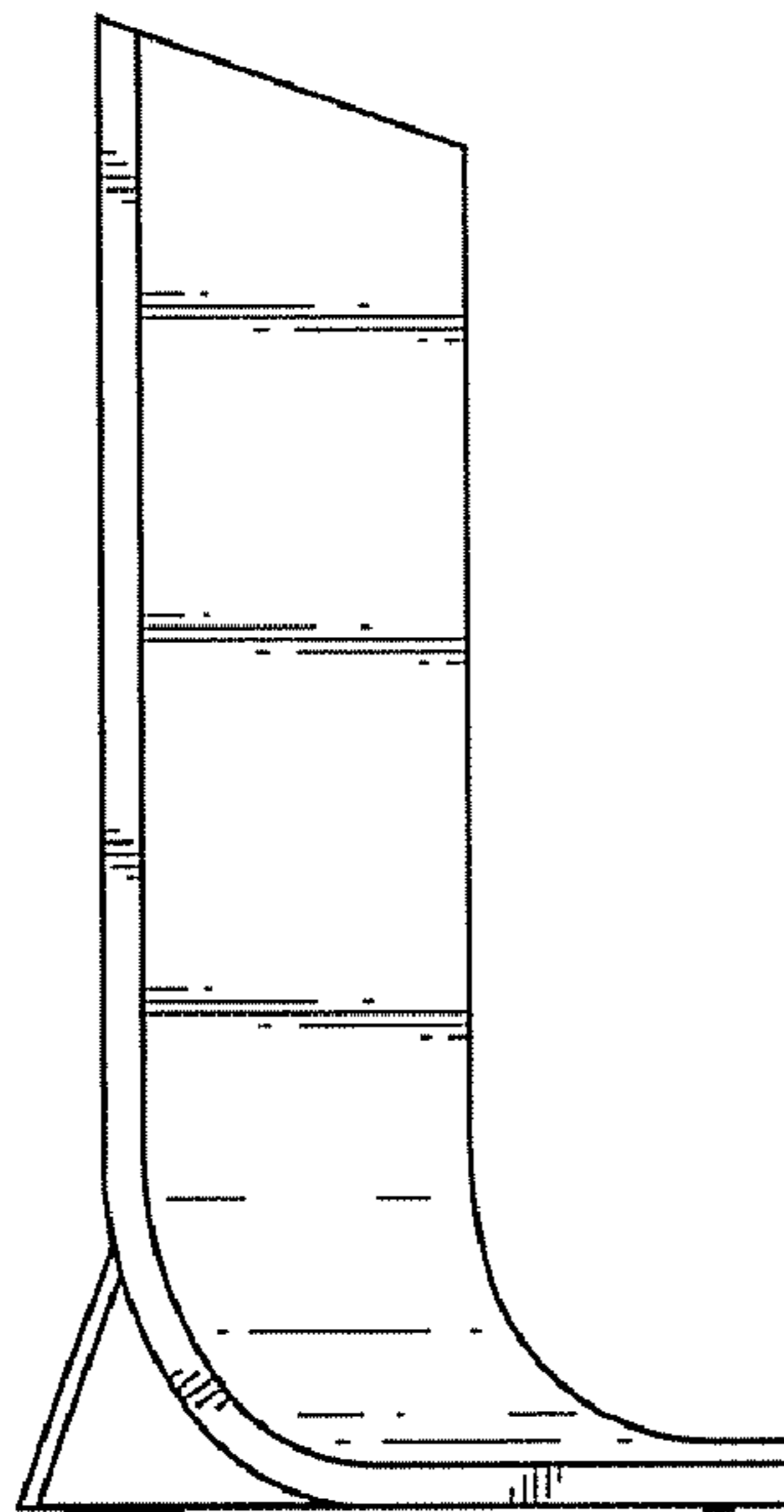


FIG. 6

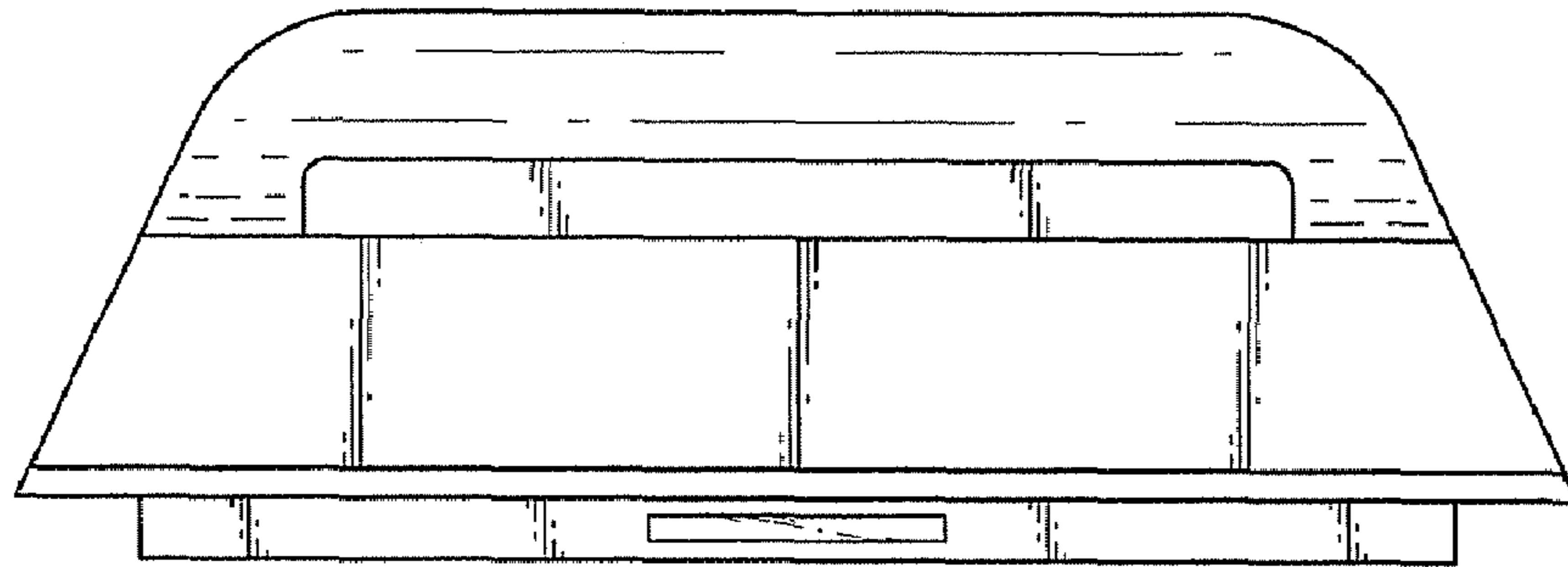


FIG. 7

