



US00D593968S

(12) **United States Design Patent**
Edmond et al.

(10) **Patent No.:** **US D593,968 S**
(45) **Date of Patent:** **** Jun. 9, 2009**

(54) **LED CHIP**

D583,338 S * 12/2008 Edmond et al. D13/180

(75) Inventors: **John Edmond**, Cary, NC (US); **James Ibbetson**, Santa Barbara, CA (US); **Michael John Bergmann**, Chapel Hill, NC (US); **Amber Christine Salter**, Durham, NC (US); **David Todd Emerson**, Chapel Hill, NC (US); **Ashay Chitnis**, Goleta, CA (US); **Bernd P. Keller**, Santa Barbara, CA (US); **Kevin Haberern**, Cary, NC (US)

* cited by examiner

Primary Examiner—Selina Sikder
(74) *Attorney, Agent, or Firm*—Myers Bigel Sibley & Sajovec, P.A.

(73) Assignee: **Cree, Inc.**, Durham, NC (US)

(**) Term: **14 Years**

(21) Appl. No.: **29/328,502**

(22) Filed: **Nov. 25, 2008**

Related U.S. Application Data

(62) Division of application No. 29/284,434, filed on Sep. 7, 2007, now Pat. No. Des. 583,338.

(51) **LOC (9) Cl.** **13-03**

(52) **U.S. Cl.** **D13/180**

(58) **Field of Classification Search** D13/180;
D26/2; 257/79, 80, 81, 88, 89, 95, 98, 99,
257/100; 313/483, 498, 500; 362/555, 800
See application file for complete search history.

(56) **References Cited**

U.S. PATENT DOCUMENTS

D582,865 S * 12/2008 Edmond et al. D13/180

D582,866 S * 12/2008 Edmond et al. D13/180

(57) **CLAIM**

The ornamental design for an LED chip, as shown and described.

DESCRIPTION

FIG. 1 is a top perspective view of an LED chip showing our design;

FIG. 2 is a top view thereof;

FIG. 3 is a first side view thereof;

FIG. 4 is a bottom view thereof;

FIG. 5 is a different side view thereof;

FIG. 6 is an end view thereof; and

FIG. 7 is an opposing end view thereof.

FIG. 8 is a top perspective view of another embodiment of the LED chip showing our design;

FIG. 9 is a top view thereof;

FIG. 10 is a first side view thereof;

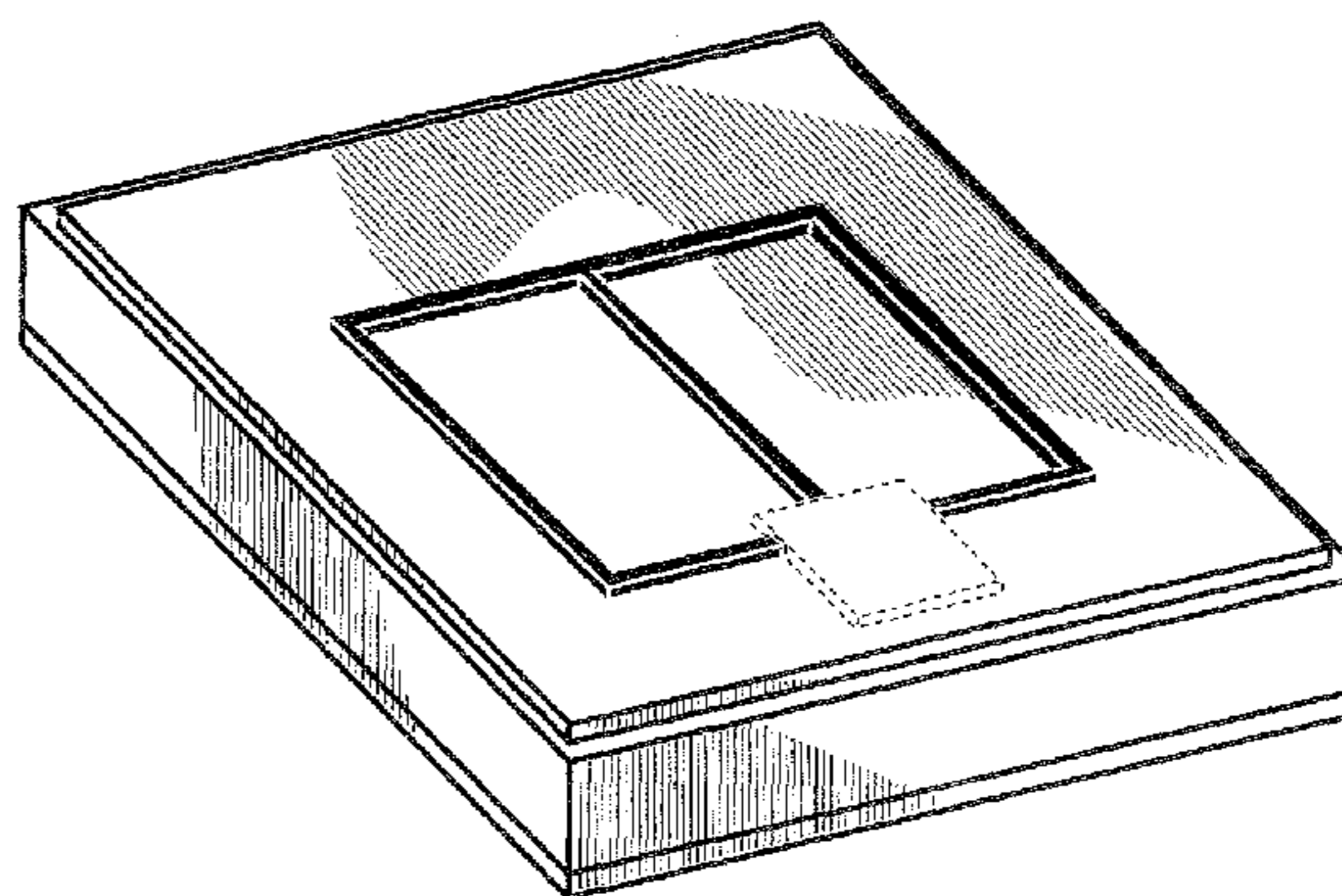
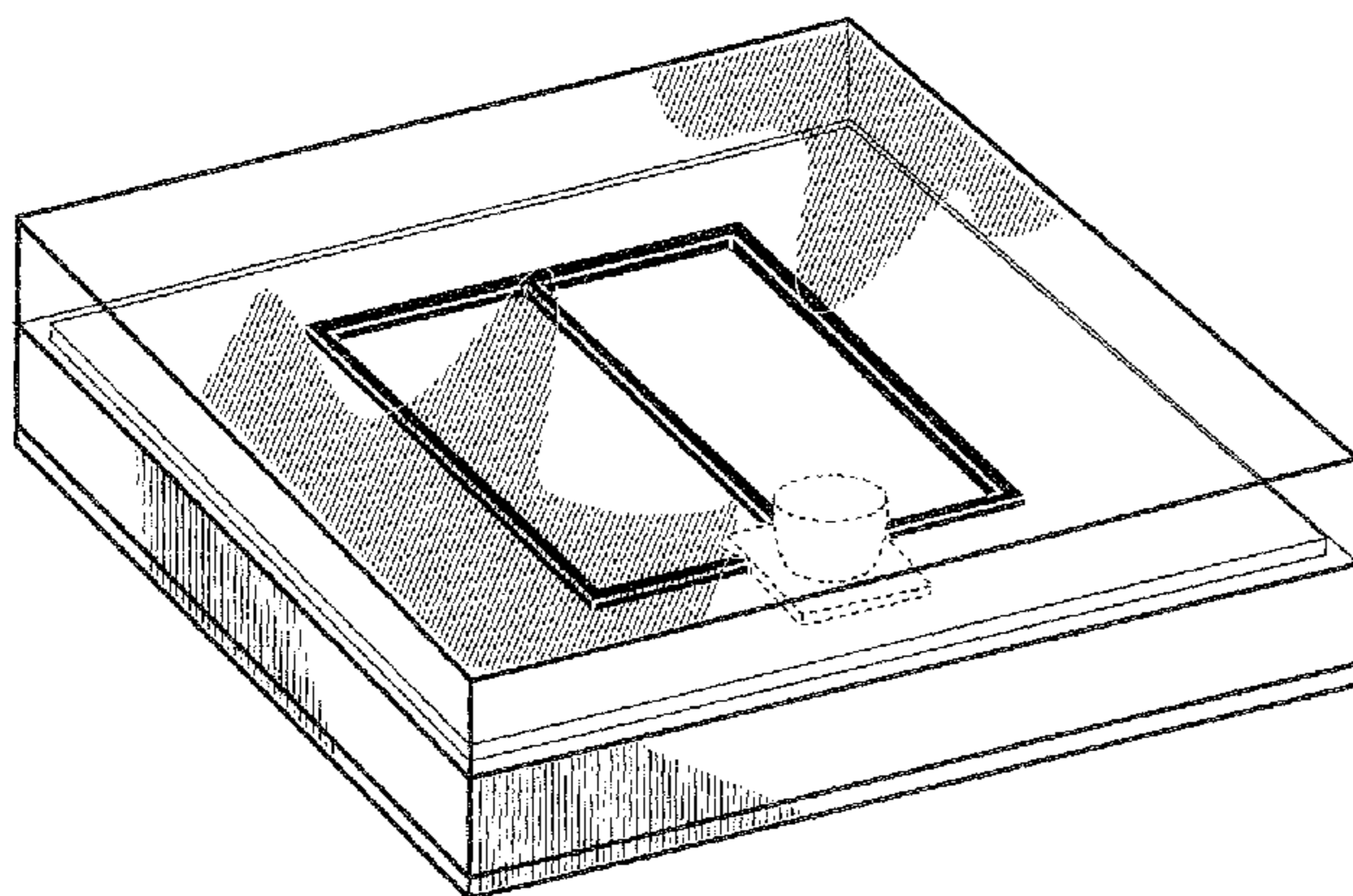
FIG. 11 is a bottom view thereof;

FIG. 12 is a different side view thereof;

FIG. 13 is an end view thereof; and,

FIG. 14 is an opposing end view thereof.

1 Claim, 4 Drawing Sheets



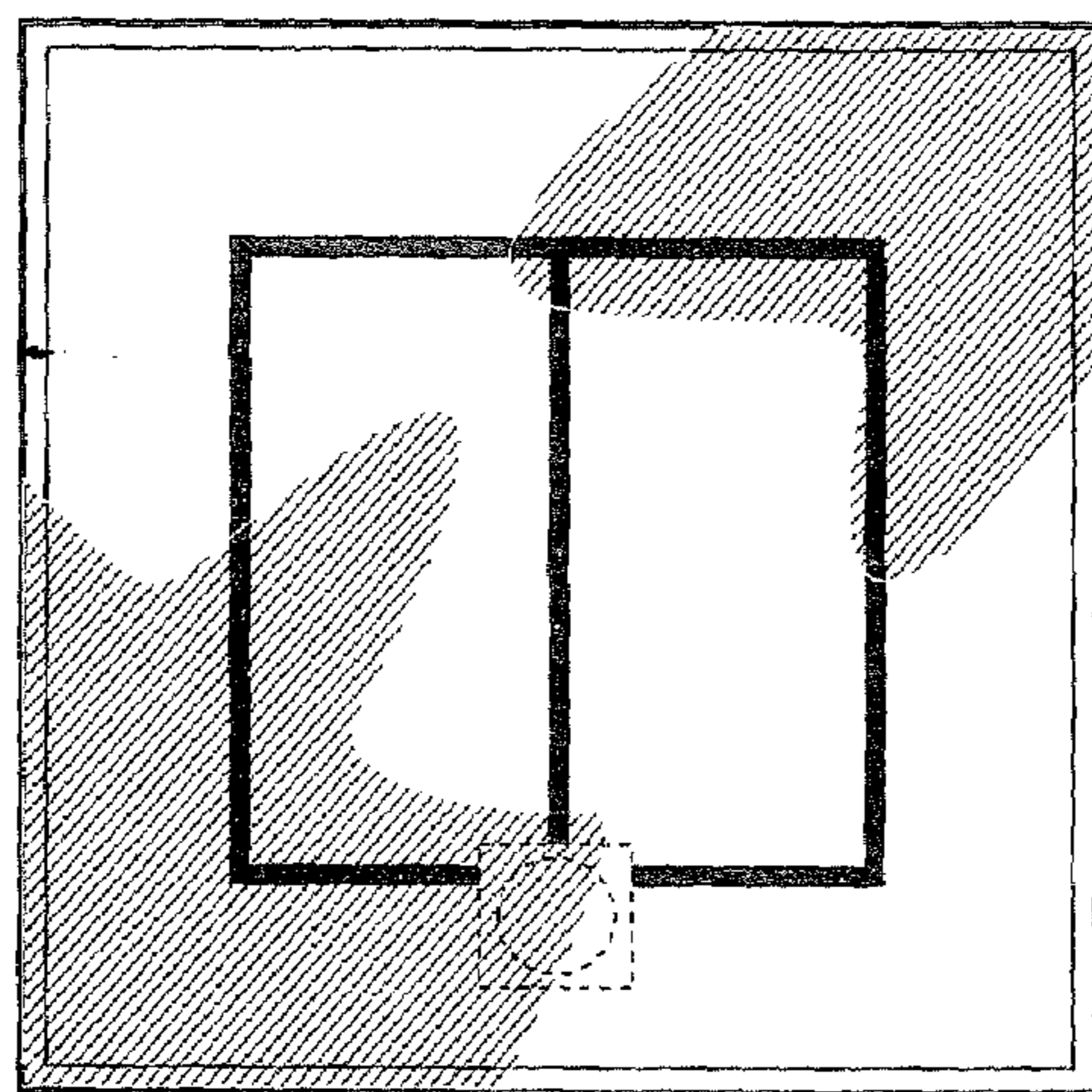
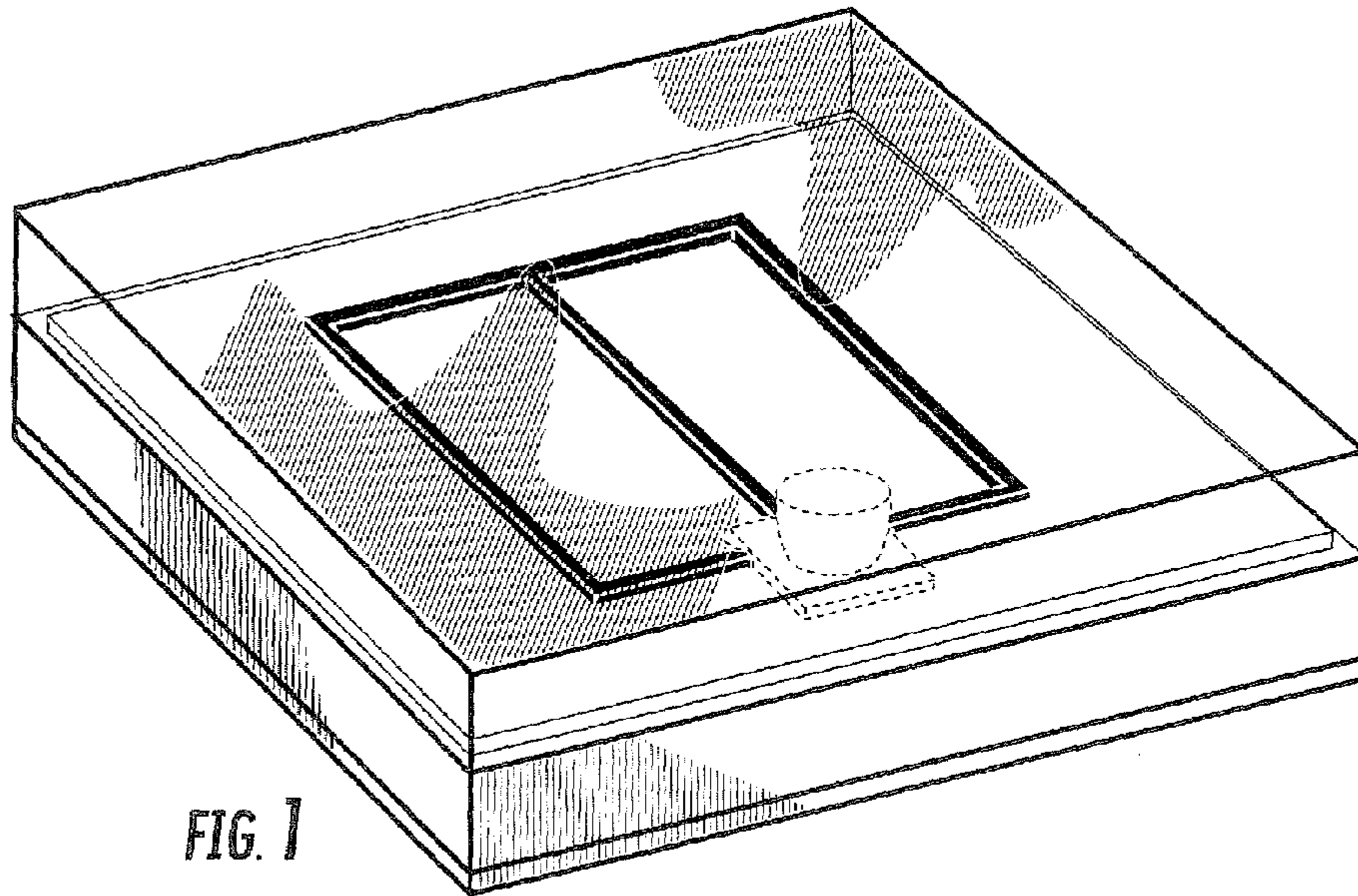


FIG. 2

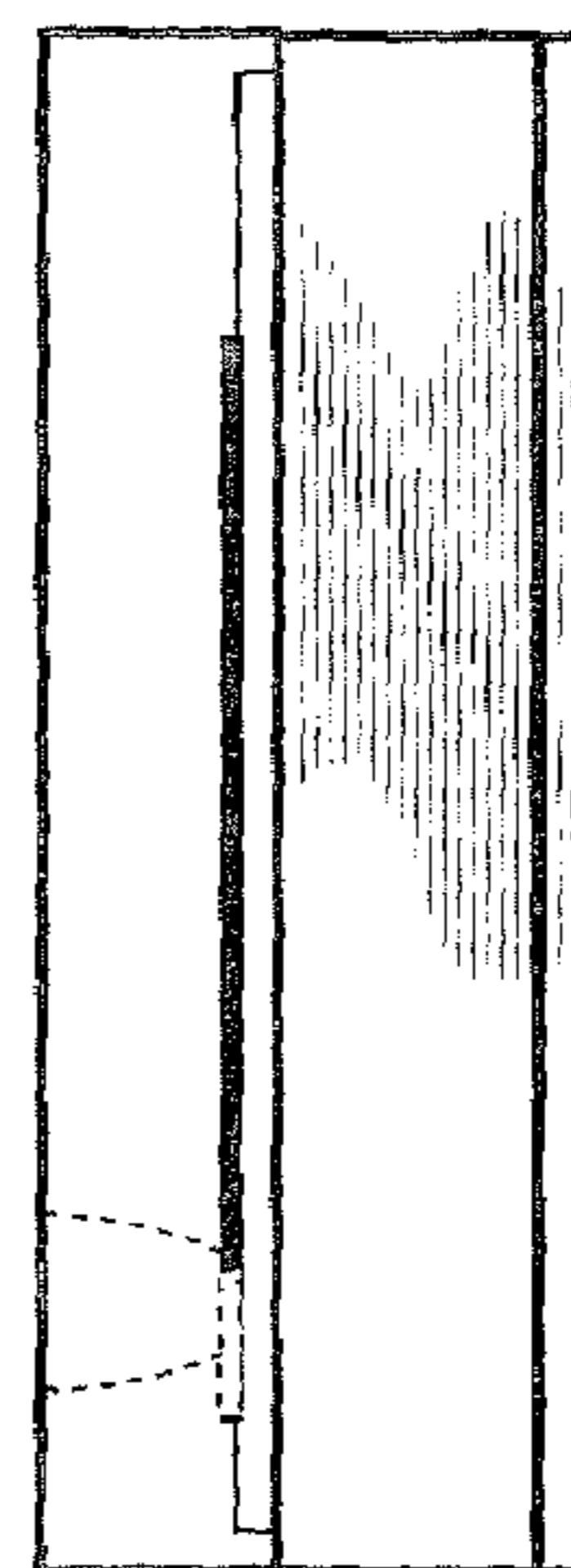


FIG. 3

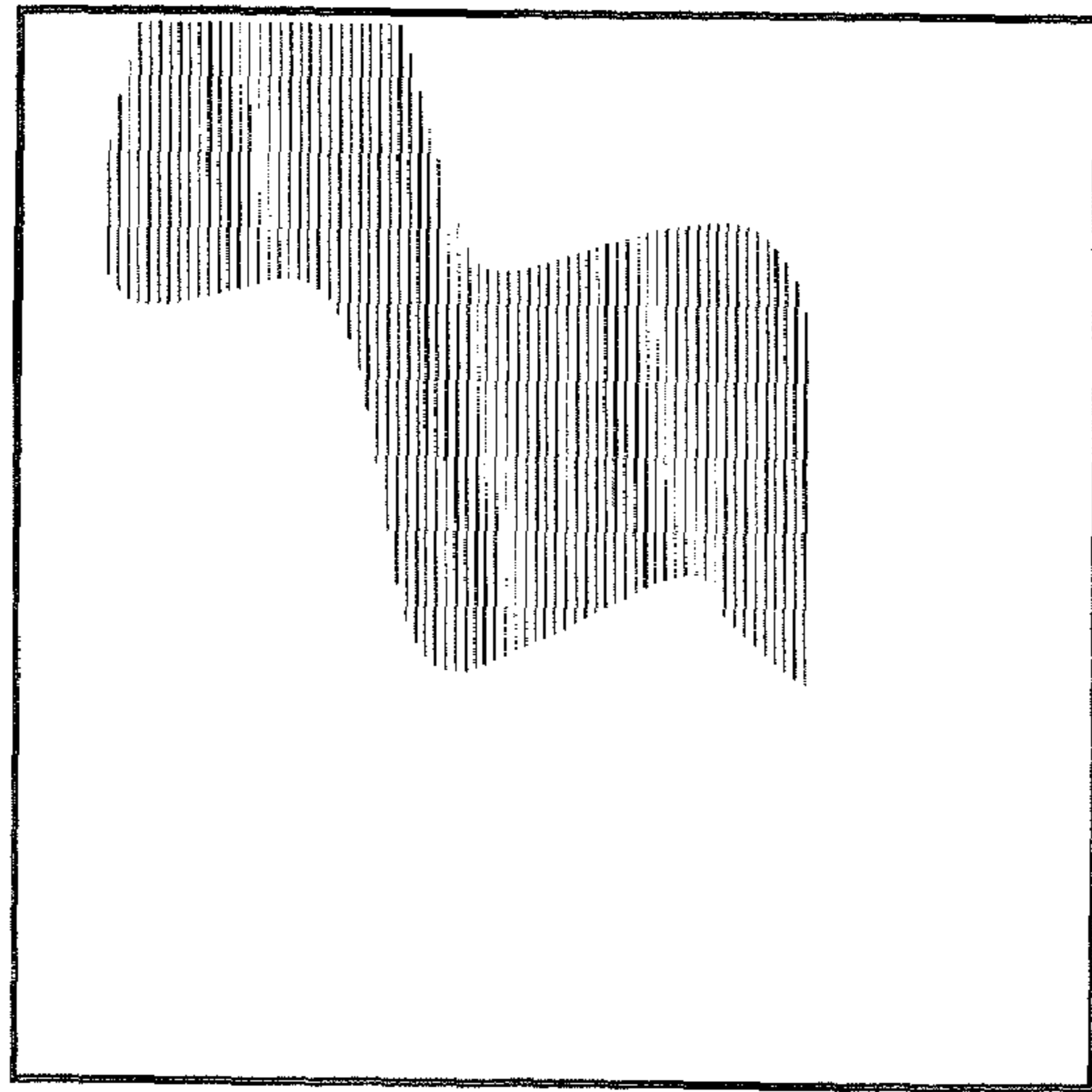


FIG. 4

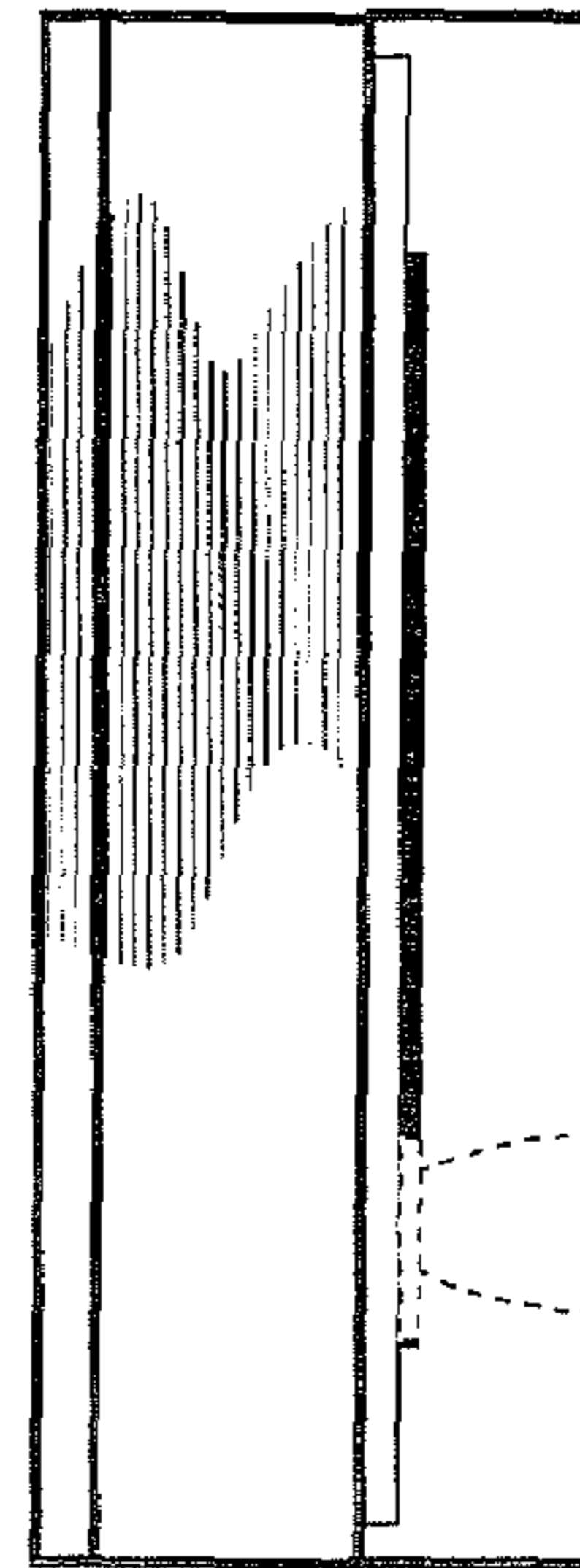


FIG. 5

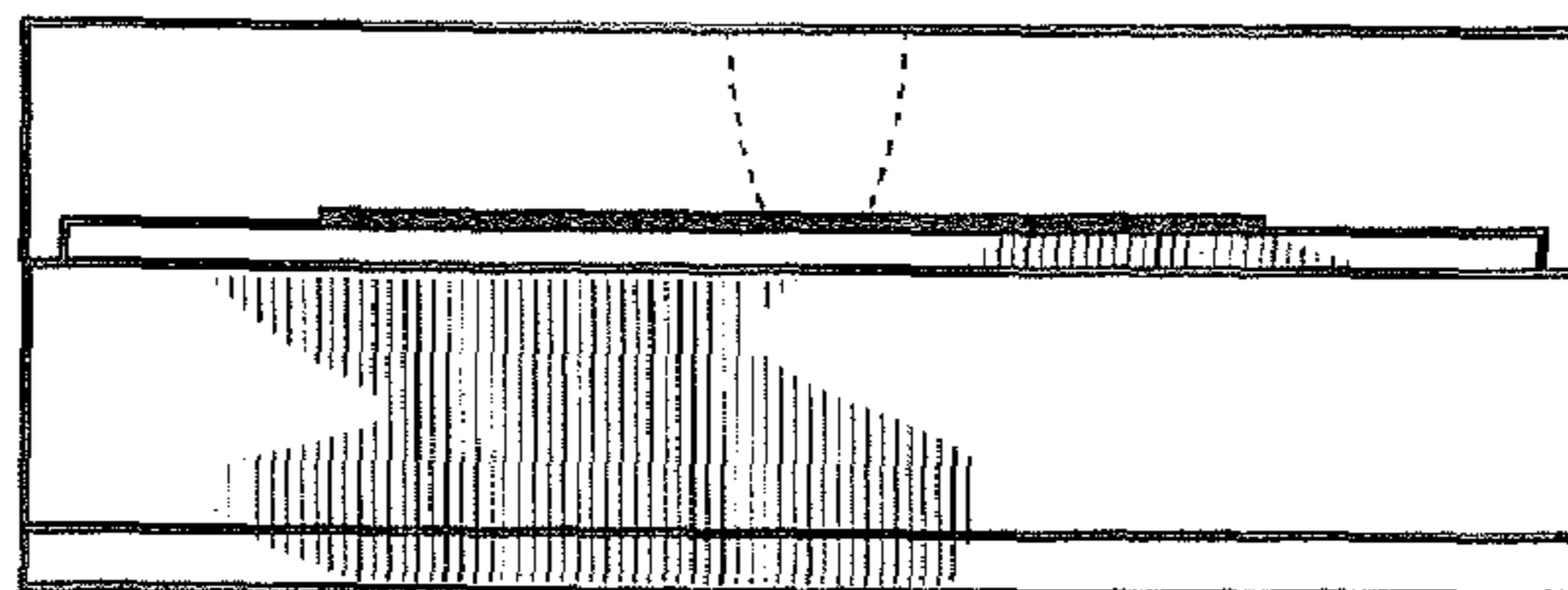


FIG. 6

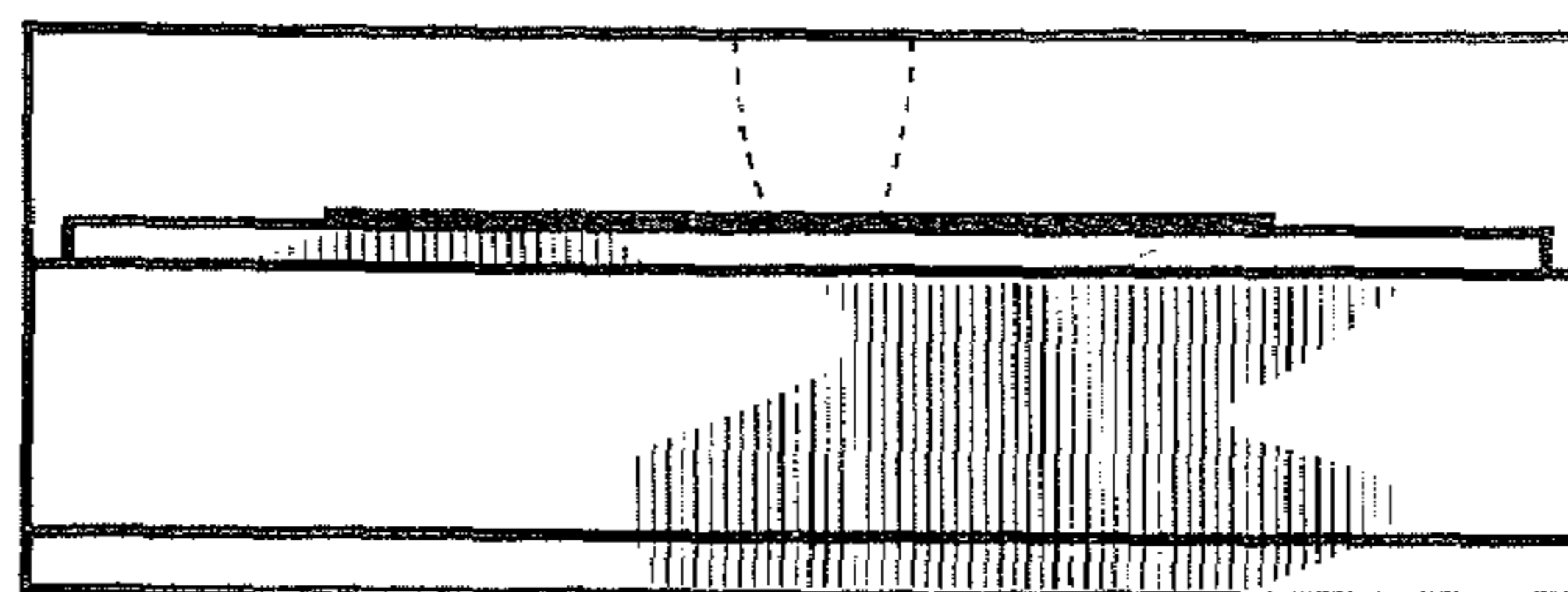


FIG. 7

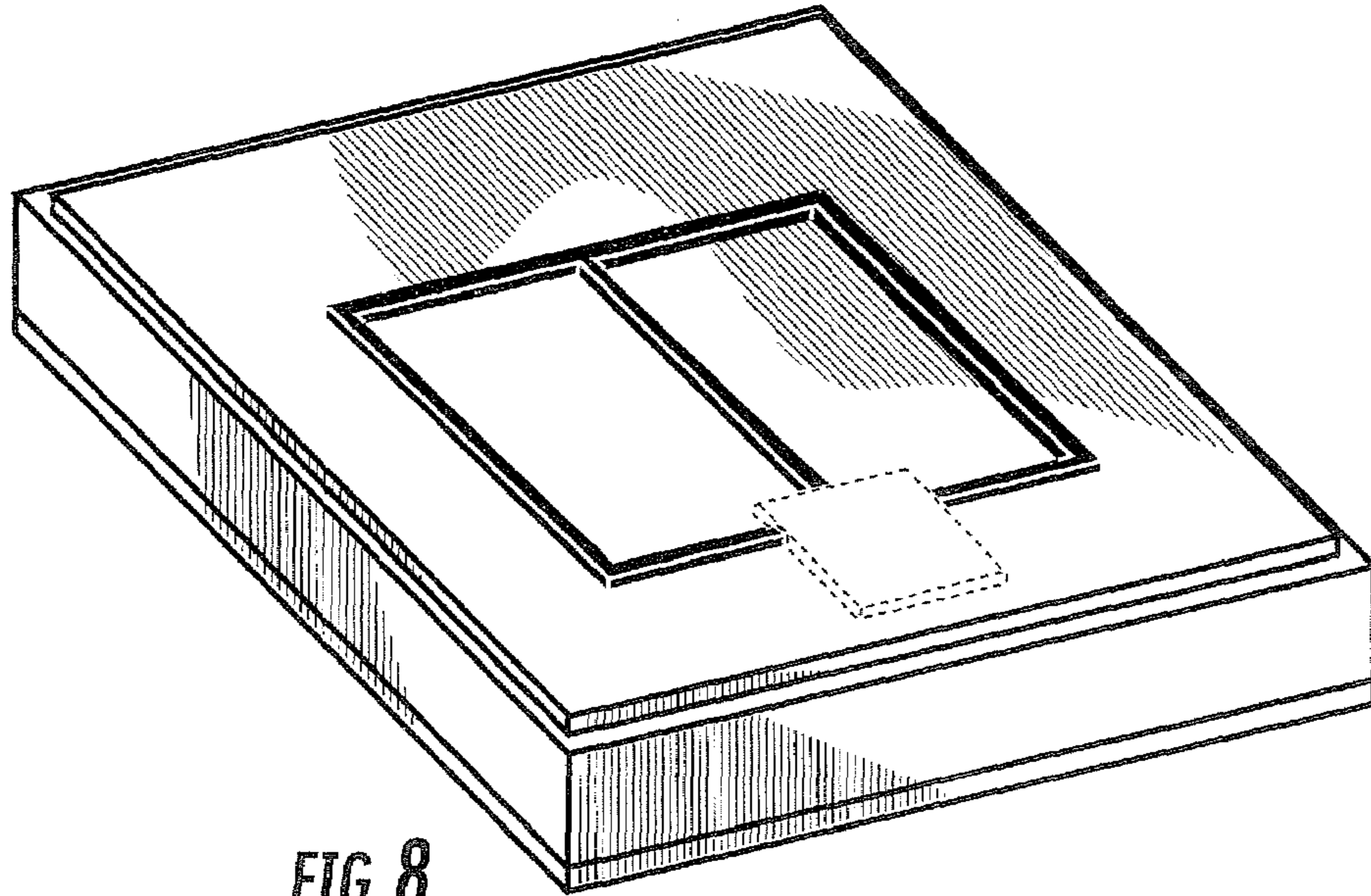


FIG. 8

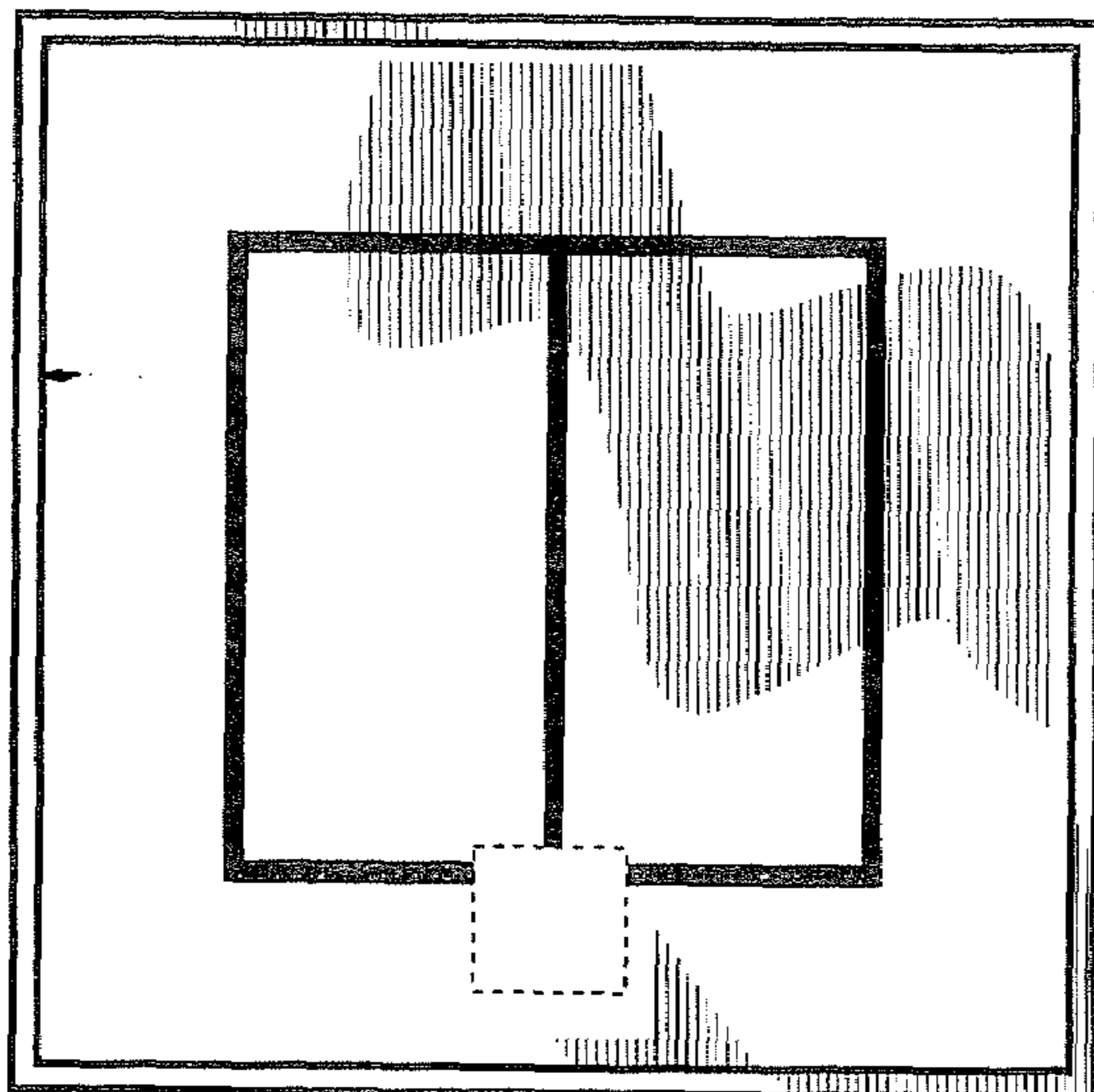


FIG. 9

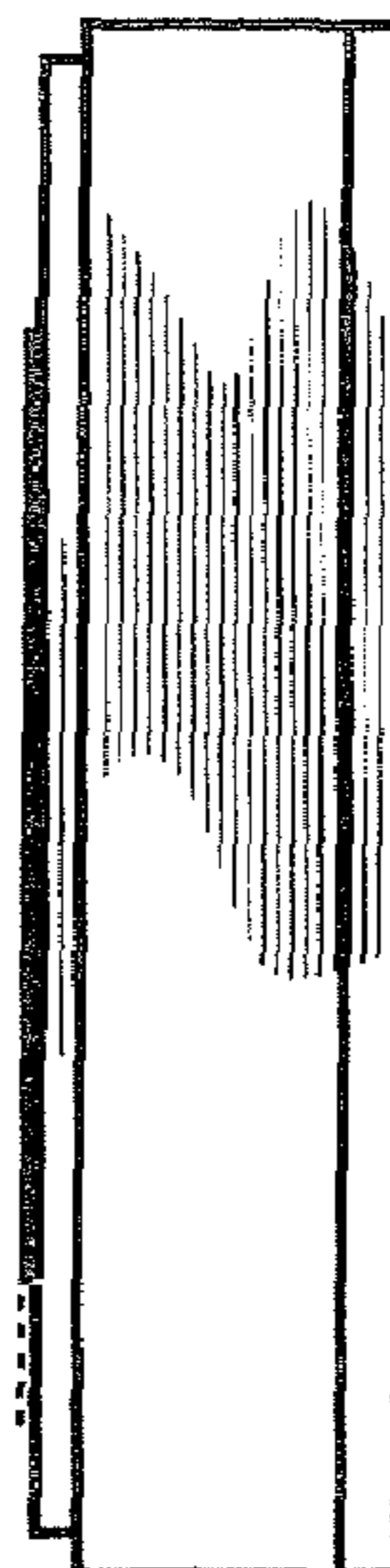


FIG. 10

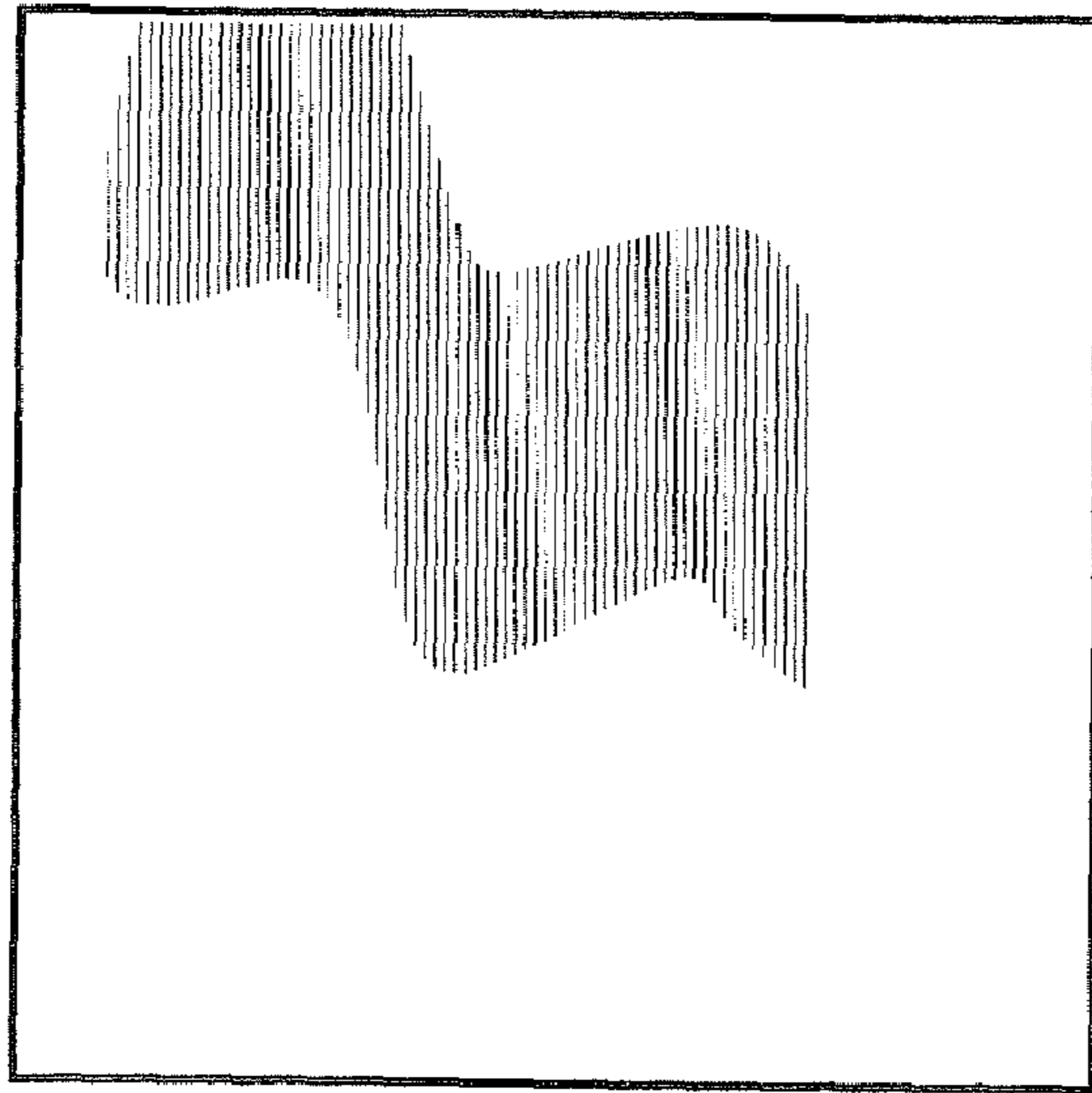


FIG. 11

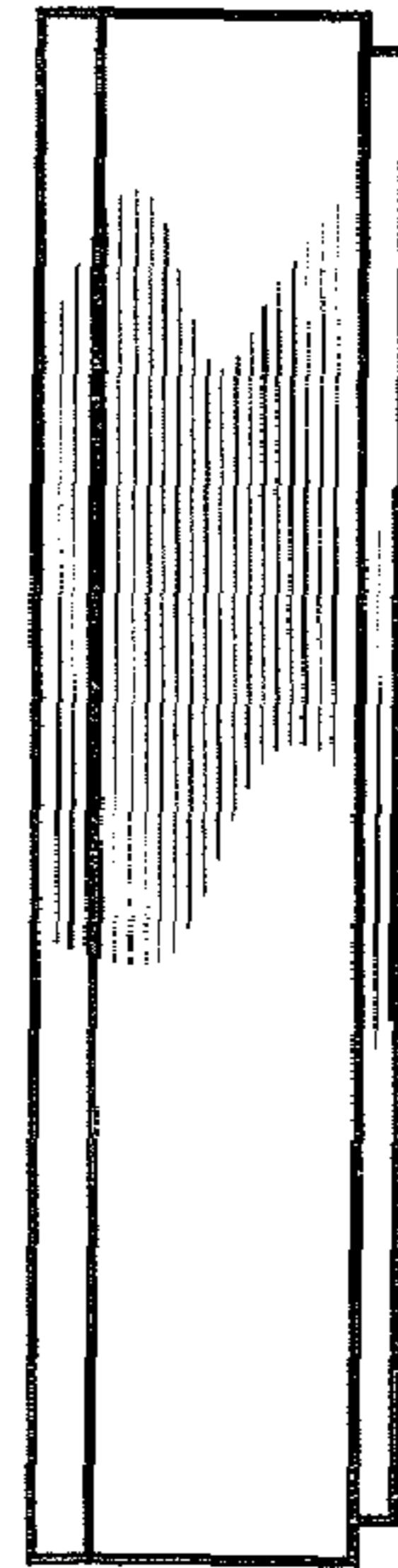


FIG. 12

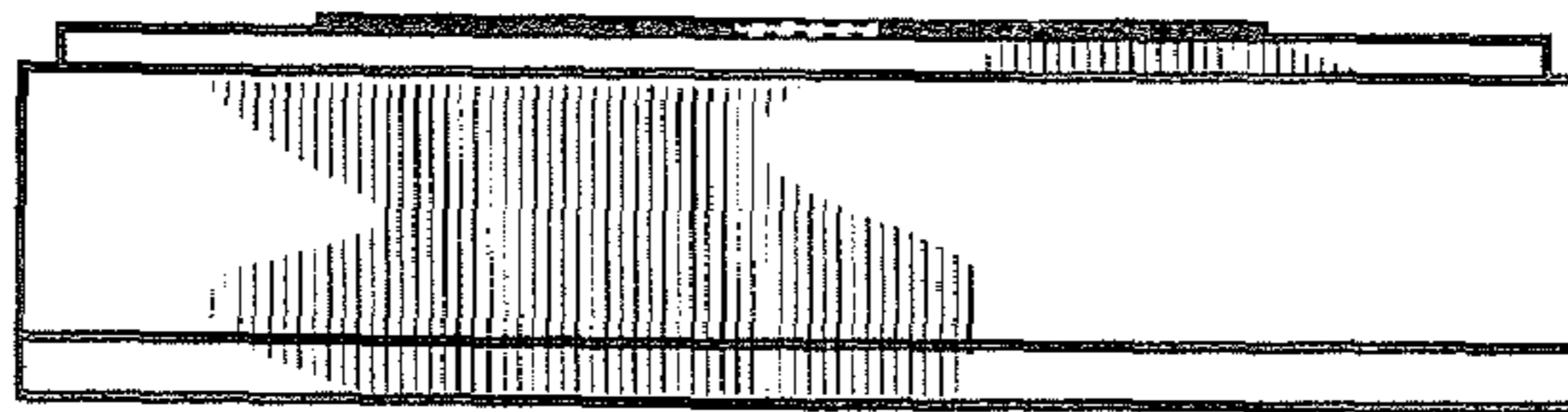


FIG. 13

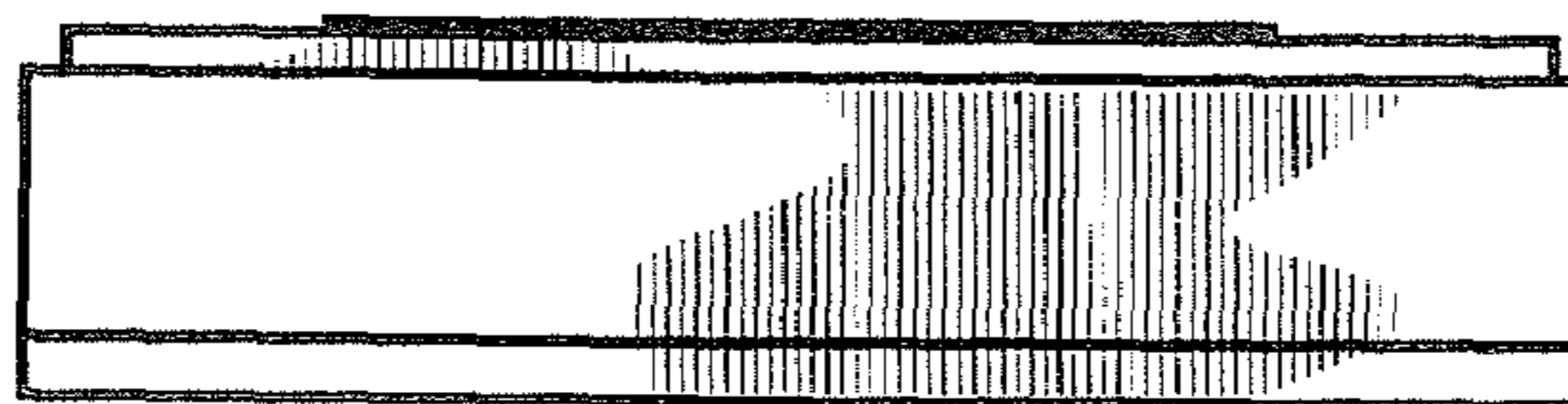


FIG. 14