



US00D593967S

(12) **United States Design Patent**  
**Fushimi**

(10) **Patent No.:** **US D593,967 S**  
(45) **Date of Patent:** **\*\* Jun. 9, 2009**

(54) **LIGHT EMITTING DEVICE**

(75) Inventor: **Hiroshi Fushimi**, Tokyo (JP)

(73) Assignee: **c. I. Kasei Company, Limited**, Tokyo (JP)

(\*\*) Term: **14 Years**

(21) Appl. No.: **29/322,103**

(22) Filed: **Jul. 29, 2008**

(30) **Foreign Application Priority Data**

Feb. 1, 2008 (JP) ..... 2008-002255

(51) **LOC (9) Cl.** ..... **13-03**

(52) **U.S. Cl.** ..... **D13/180**

(58) **Field of Classification Search** ..... D13/180;  
D26/2; 257/79, 80, 81, 88, 89, 95, 98, 99,  
257/100; 313/483, 498, 500; 362/555, 800  
See application file for complete search history.

(56) **References Cited**

**U.S. PATENT DOCUMENTS**

D505,397 S \* 5/2005 Asakawa ..... D13/180  
D568,261 S \* 5/2008 Lee et al. .... D13/180

D570,796 S \* 6/2008 Kim ..... D13/180  
2004/0201987 A1 \* 10/2004 Omata ..... 362/230  
2007/0080354 A1 \* 4/2007 Lin et al. .... 257/79  
2007/0262328 A1 \* 11/2007 Bando ..... 257/79

\* cited by examiner

*Primary Examiner*—Selina Sikder

(74) *Attorney, Agent, or Firm*—Knobbe, Martens, Olson & Bear, LLP

(57) **CLAIM**

The ornamental design for a light emitting device, as shown and described herein.

**DESCRIPTION**

FIG. 1 is a perspective view of a light emitting device showing my new design.

FIG. 2 is a front elevational view thereof. A rear elevational view is a mirror image thereof.

FIG. 3 is a top plan view thereof.

FIG. 4 is a bottom plan view thereof.

FIG. 5 is a left side elevational view thereof; and,

FIG. 6 is a right side elevational view thereof.

**1 Claim, 6 Drawing Sheets**

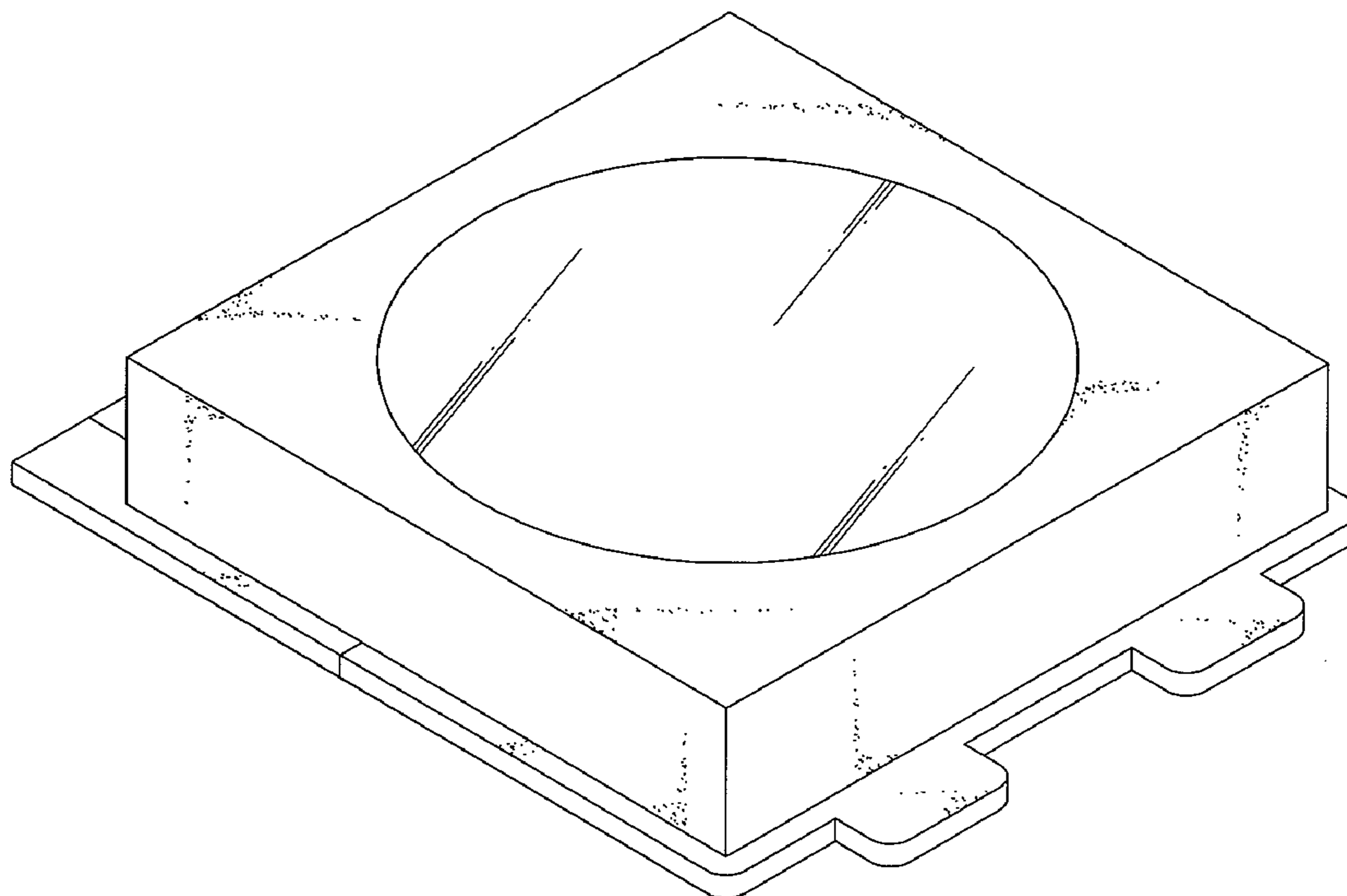


FIG. 1

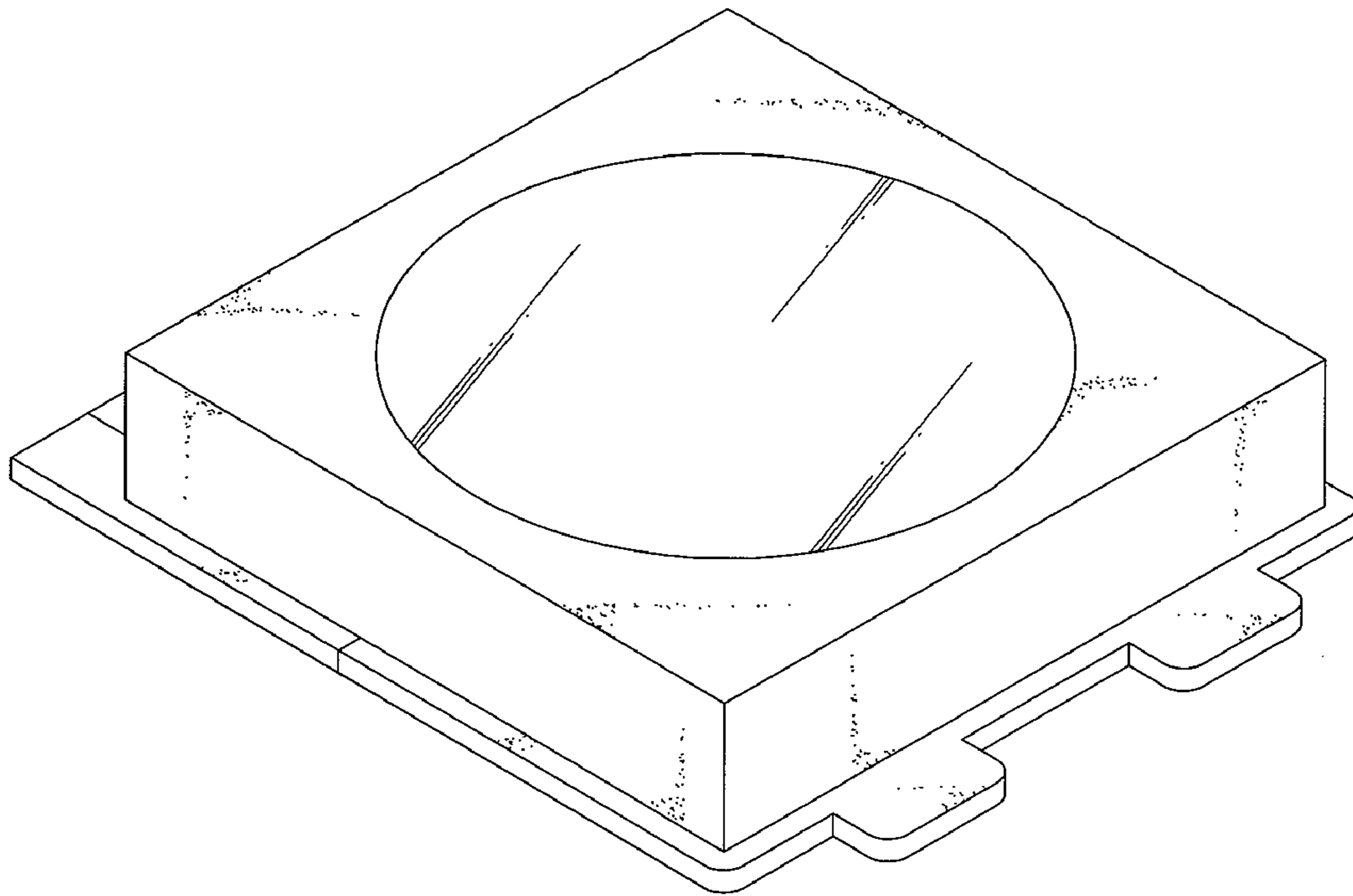


FIG. 2

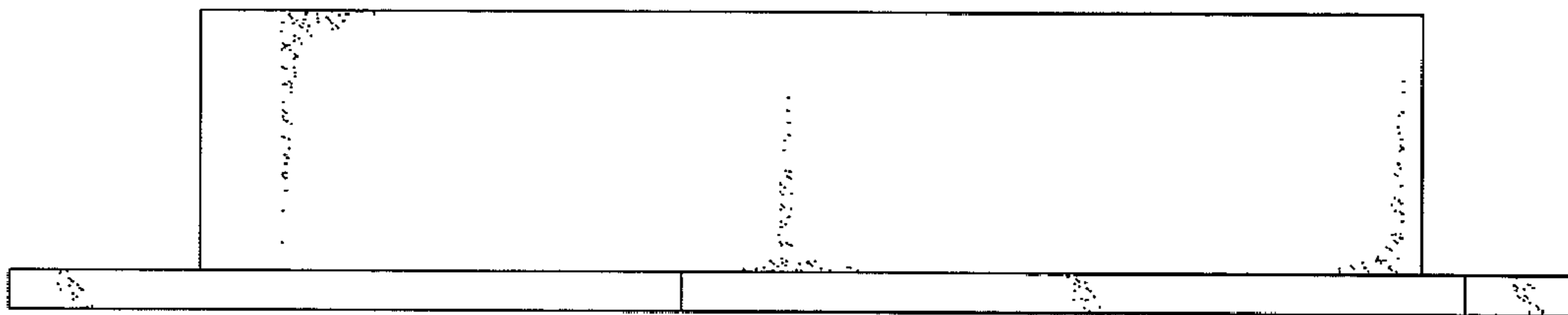


FIG. 3

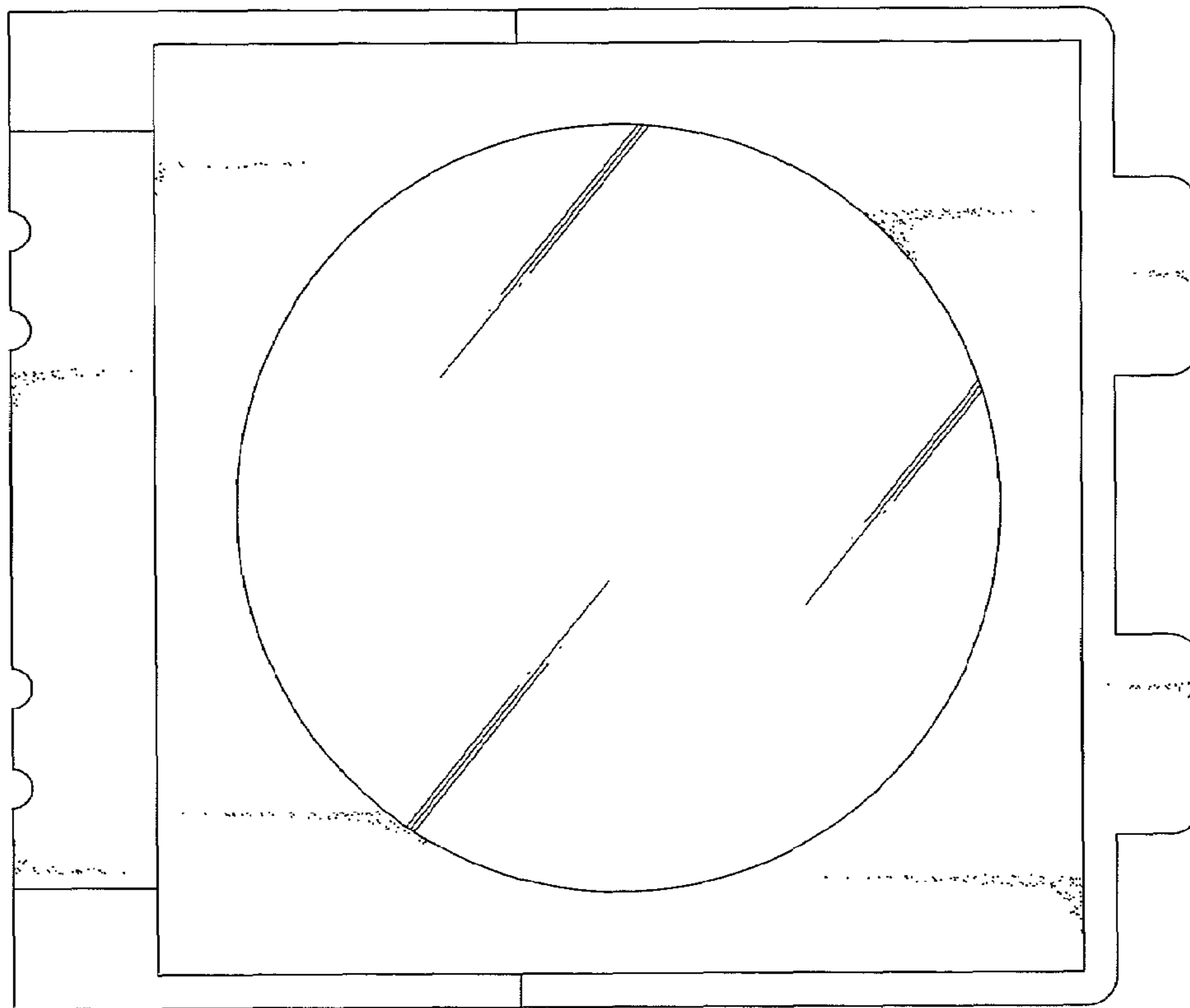


FIG. 4

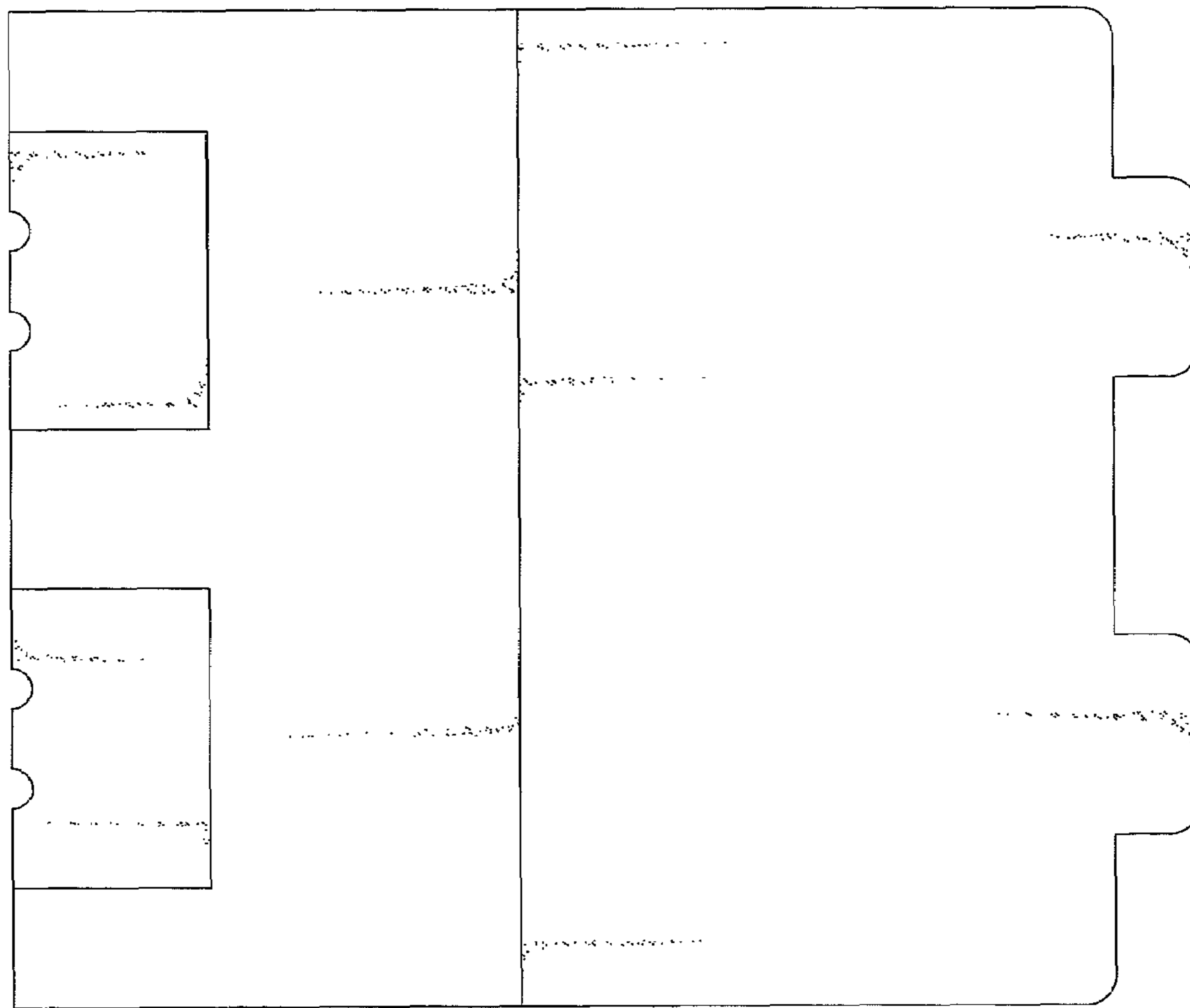


FIG. 5

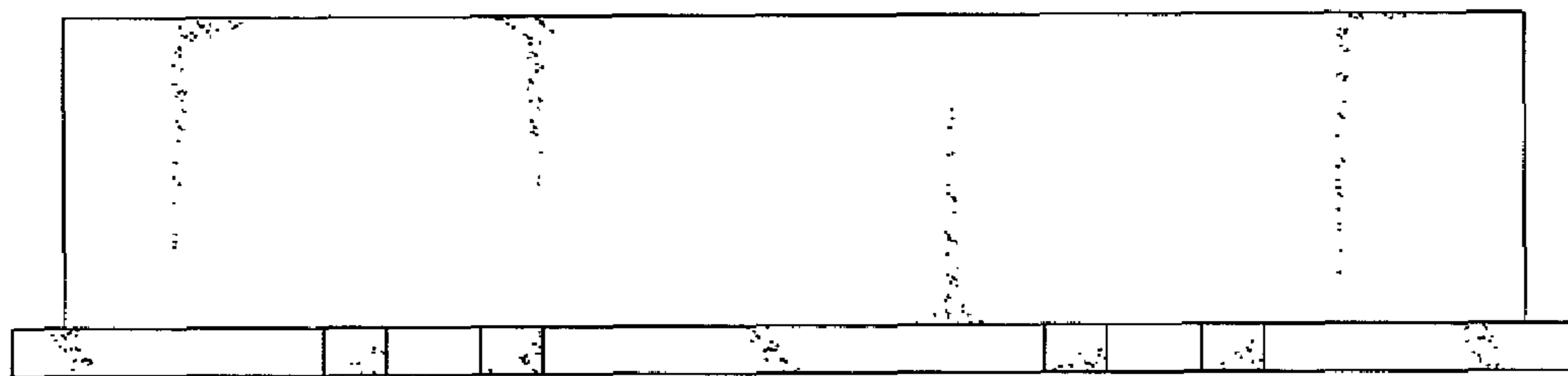
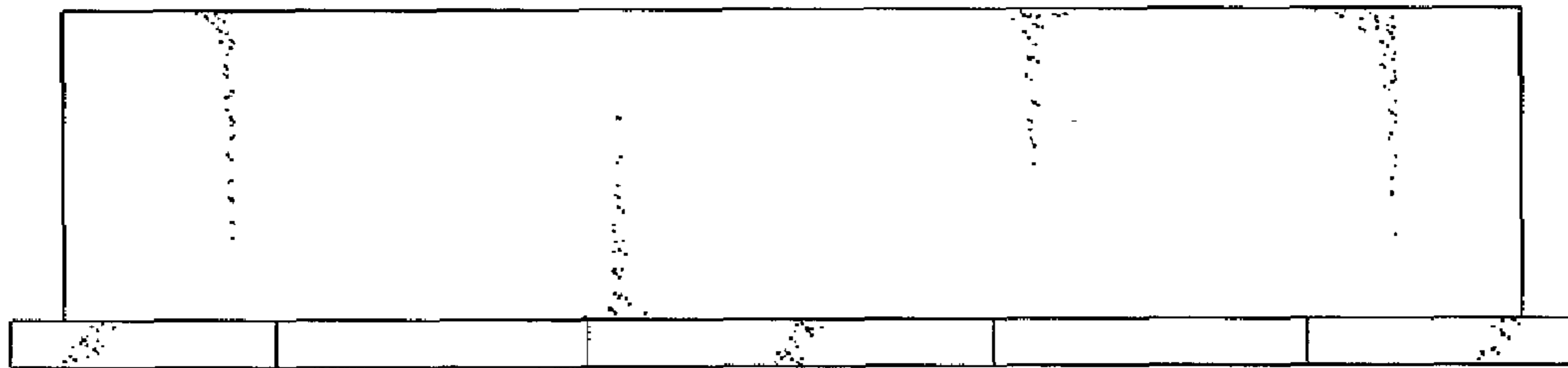


FIG. 6



UNITED STATES PATENT AND TRADEMARK OFFICE  
**CERTIFICATE OF CORRECTION**

PATENT NO. : Des. 593,967 S  
APPLICATION NO. : 29/322103  
DATED : June 9, 2009  
INVENTOR(S) : Fushimi

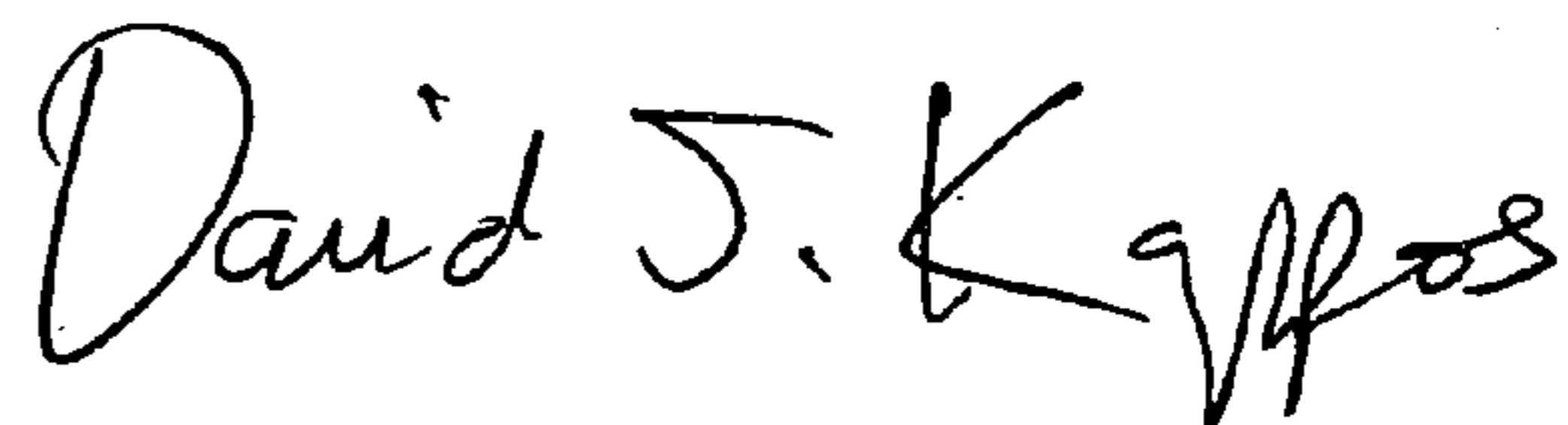
Page 1 of 1

It is certified that error appears in the above-identified patent and that said Letters Patent is hereby corrected as shown below:

Title page in Item (73), page 1, column 1, please delete "c.I." and insert --C.I.--.

Signed and Sealed this

Twenty-second Day of June, 2010

A handwritten signature in black ink that reads "David J. Kappos". The signature is written in a cursive, flowing style.

David J. Kappos  
*Director of the United States Patent and Trademark Office*