



(12) **United States Design Patent**
Kim et al.

(10) **Patent No.:** **US D593,966 S**
(45) **Date of Patent:** **** Jun. 9, 2009**

(54) **LIGHT EMITTING DIODE**

(75) Inventors: **Dong-Sel Kim**, Suwon-si (KR); **Chi Ok In**, Dangjin-gun (KR); **Jong Won Park**, Jeonju-si (KR)

(73) Assignee: **Alti-electronics Co., Ltd** (KR)

(**) Term: **14 Years**

(21) Appl. No.: **29/321,168**

(22) Filed: **Jul. 11, 2008**

Related U.S. Application Data

(63) Continuation-in-part of application No. 29/284,227, filed on Sep. 4, 2007, now Pat. No. Des. 580,378.

Foreign Application Priority Data

(30) Apr. 12, 2007 (KR) 30-2007-0015878

(51) **LOC (9) Cl.** **13-03**

(52) **U.S. Cl.** **D13/180**

(58) **Field of Classification Search** D13/180;
D26/2; 257/79, 80, 81, 88, 89, 95, 98, 99,
257/100; 313/483, 498, 500; 362/555, 800
See application file for complete search history.

References Cited

U.S. PATENT DOCUMENTS

D476,960 S * 7/2003 Fukasawa et al. D13/182

D548,704 S * 8/2007 Wu et al. D13/180
7,279,723 B2 * 10/2007 Matsumura et al. 257/100
2002/0149314 A1 * 10/2002 Takahashi et al. 313/500
2006/0284207 A1 * 12/2006 Park et al. 257/99
2007/0029915 A1 * 2/2007 Kim et al. 313/483
2007/0063213 A1 * 3/2007 Hsieh et al. 257/99
2007/0114555 A1 * 5/2007 Takemoto et al. 257/99

* cited by examiner

Primary Examiner—Selina Sikder

(74) *Attorney, Agent, or Firm*—Cantor Colburn LLP

(57) **CLAIM**

We claim, the ornamental design for a light emitting diode, as shown and described.

DESCRIPTION

FIG. 1 is a perspective view of a light emitting diode, showing our new design;

FIG. 2 is a front elevational view thereof;

FIG. 3 is a rear elevational view thereof;

FIG. 4 is a left side elevational view thereof;

FIG. 5 is a right side elevational view thereof;

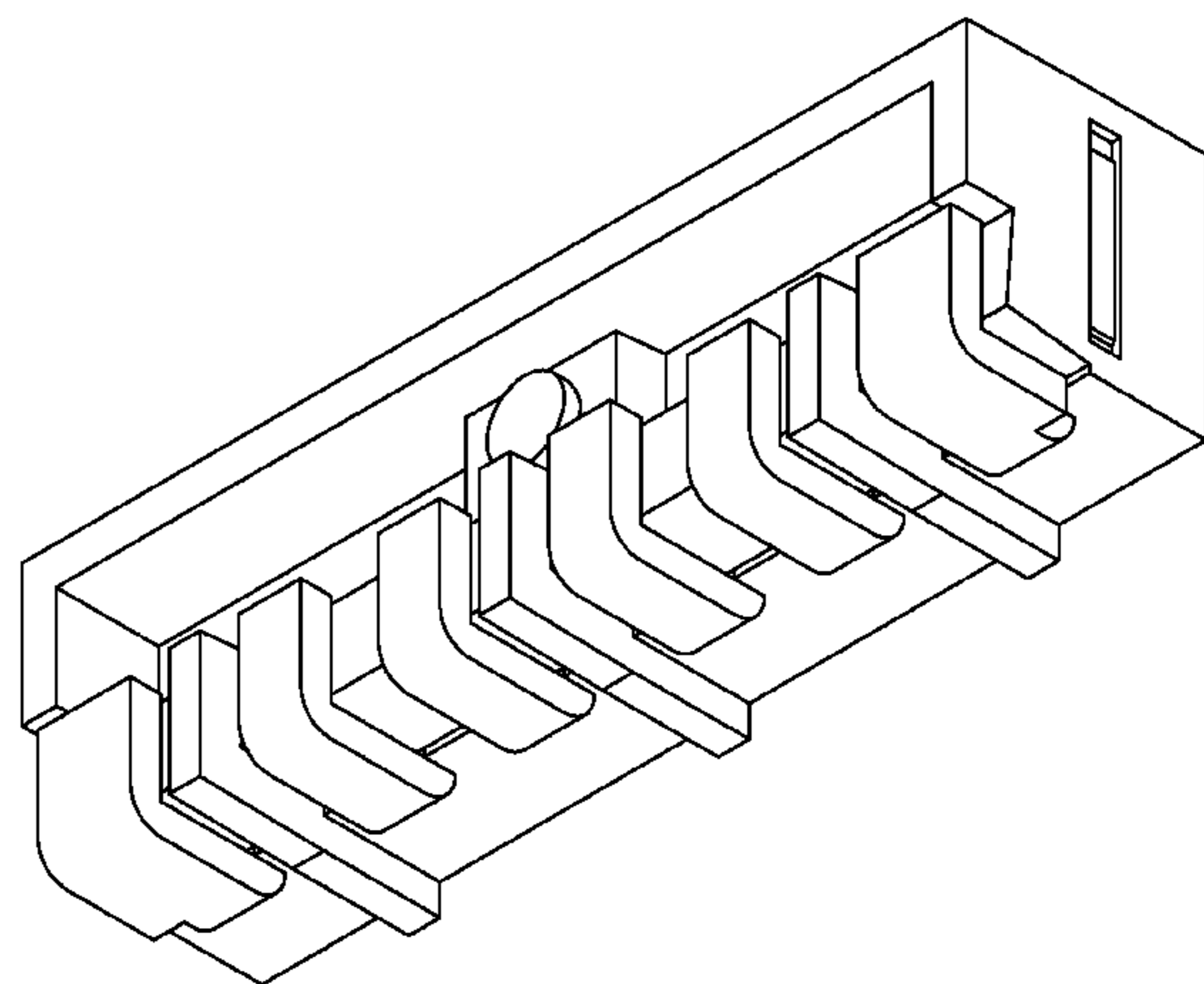
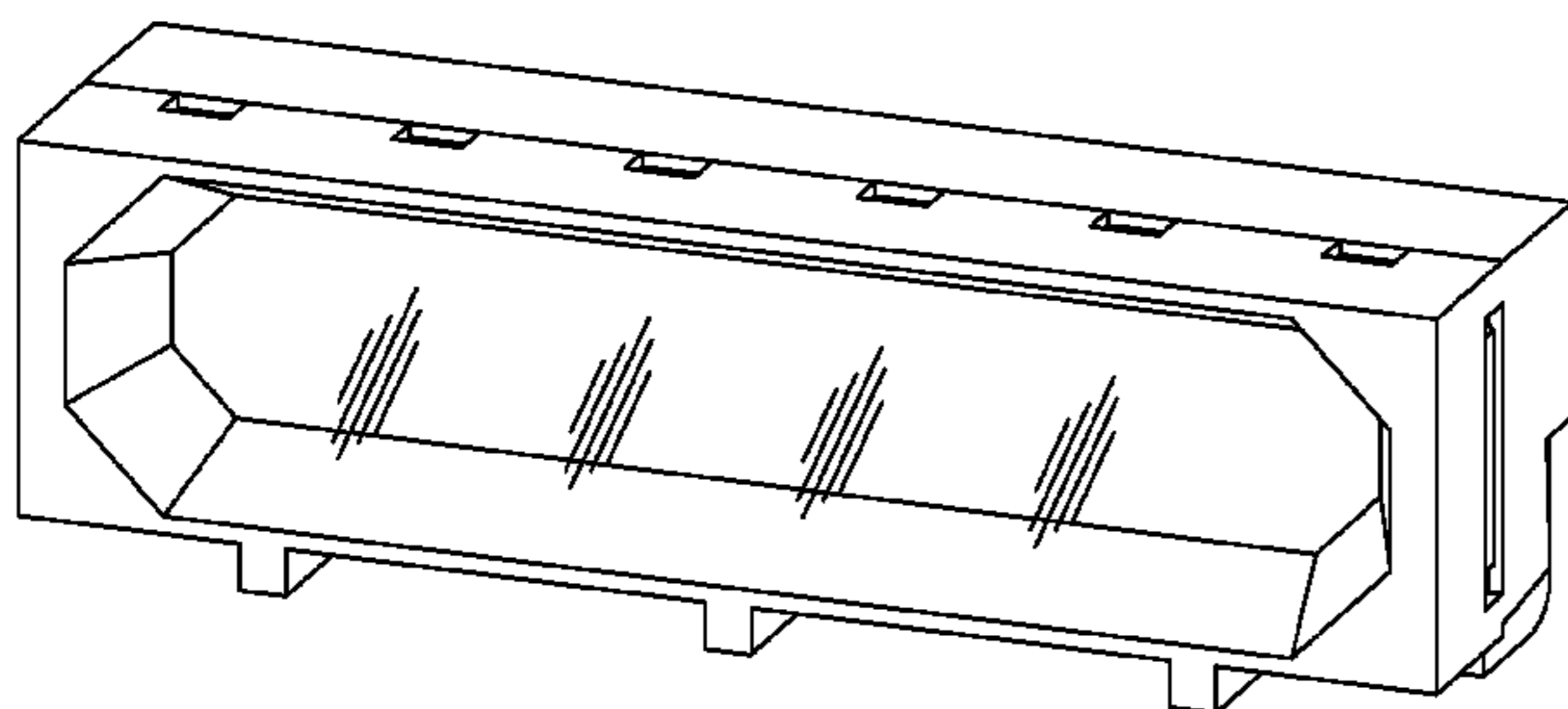
FIG. 6 is a top plan view thereof;

FIG. 7 is a bottom plan view thereof;

FIG. 8 is a rear top perspective view thereof; and,

FIG. 9 is a rear bottom perspective view thereof.

1 Claim, 9 Drawing Sheets



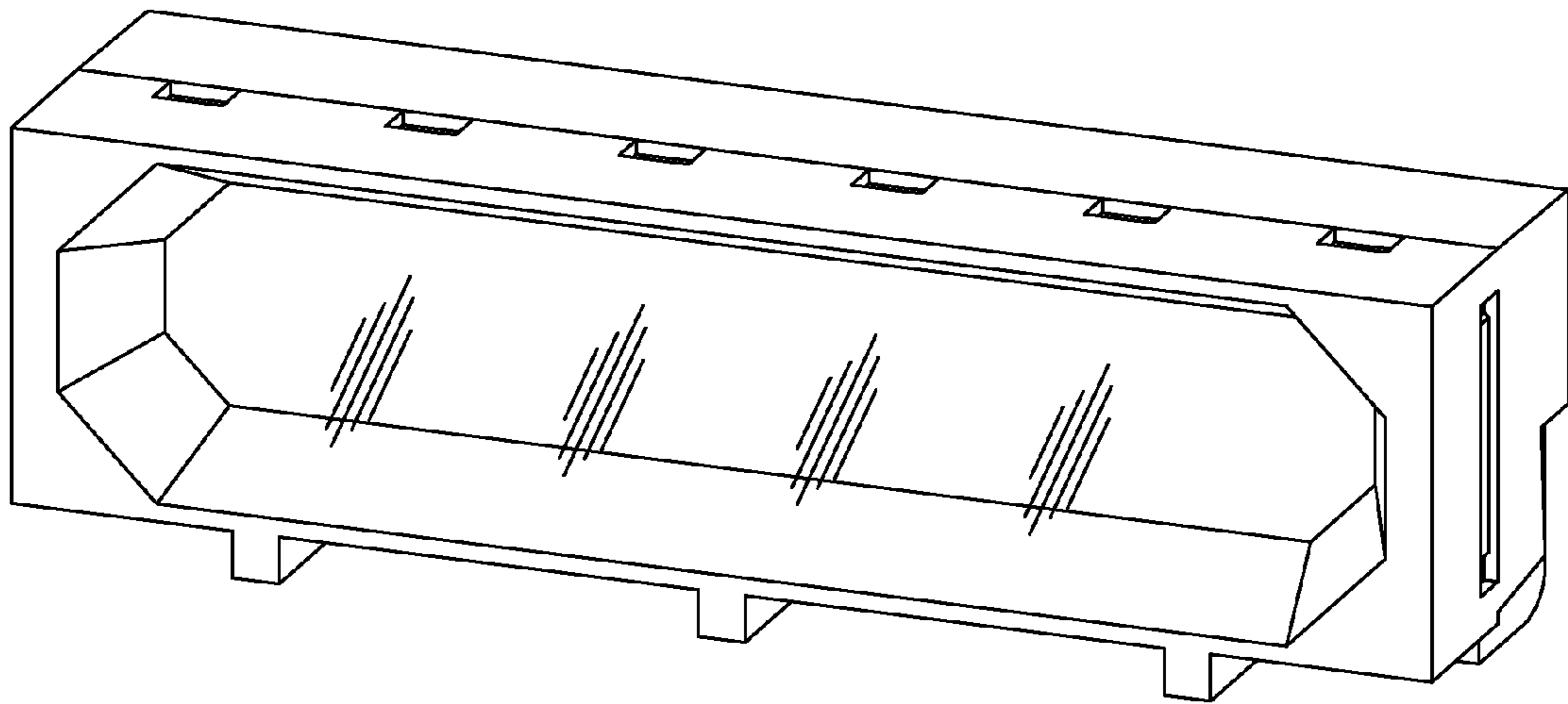


FIG. 1

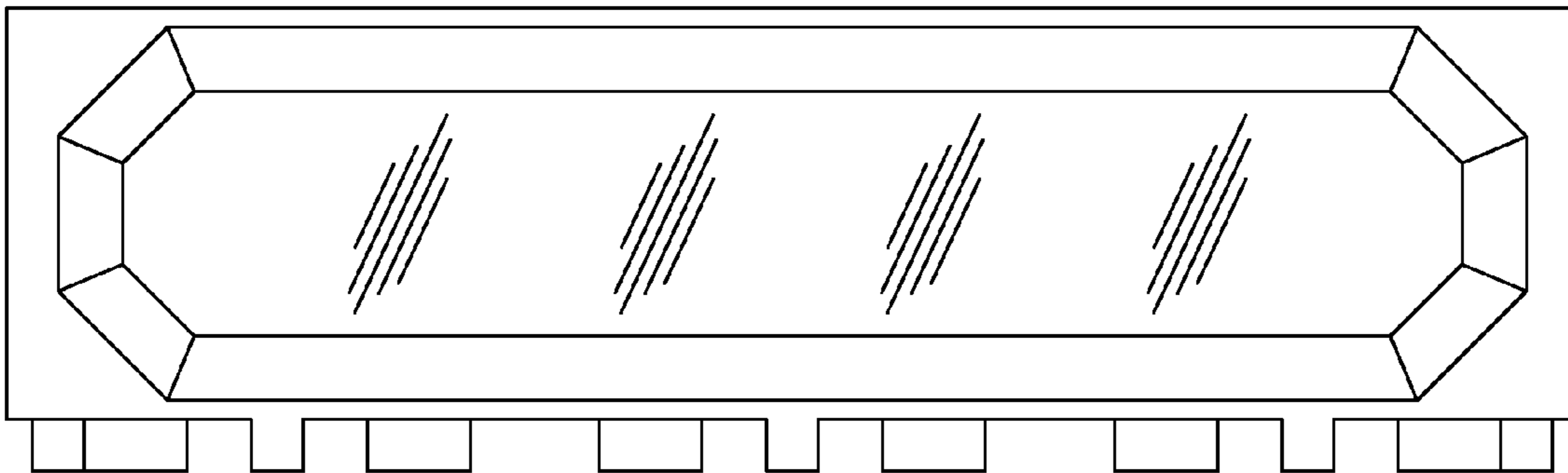


FIG. 2

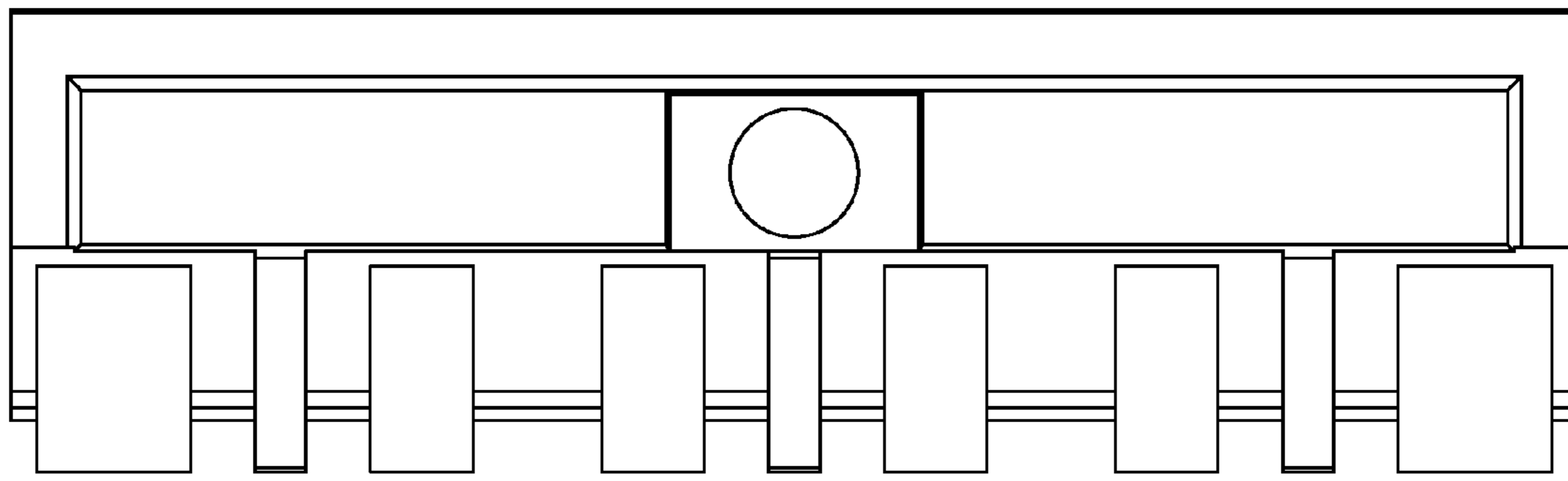


FIG. 3

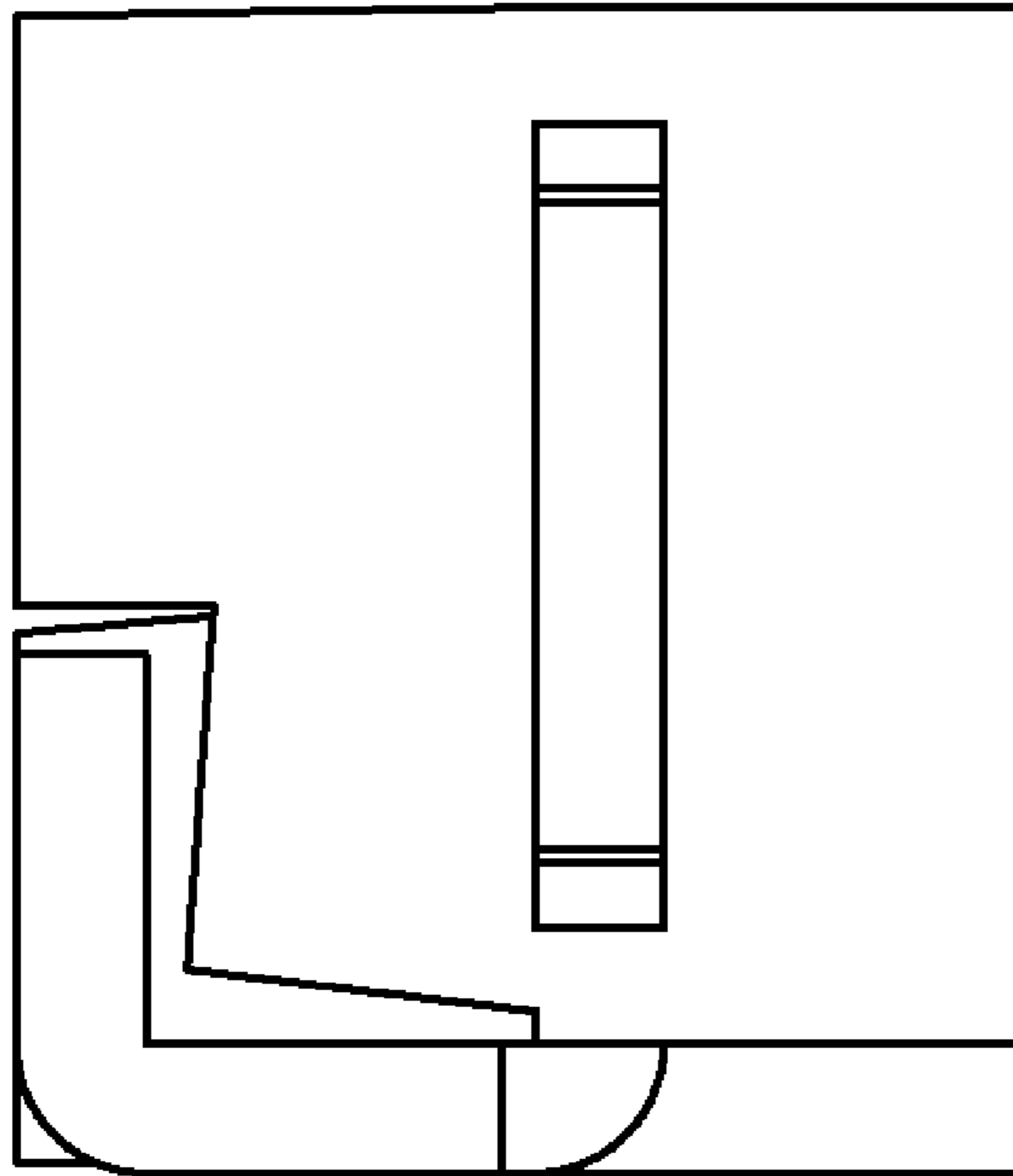


FIG. 4

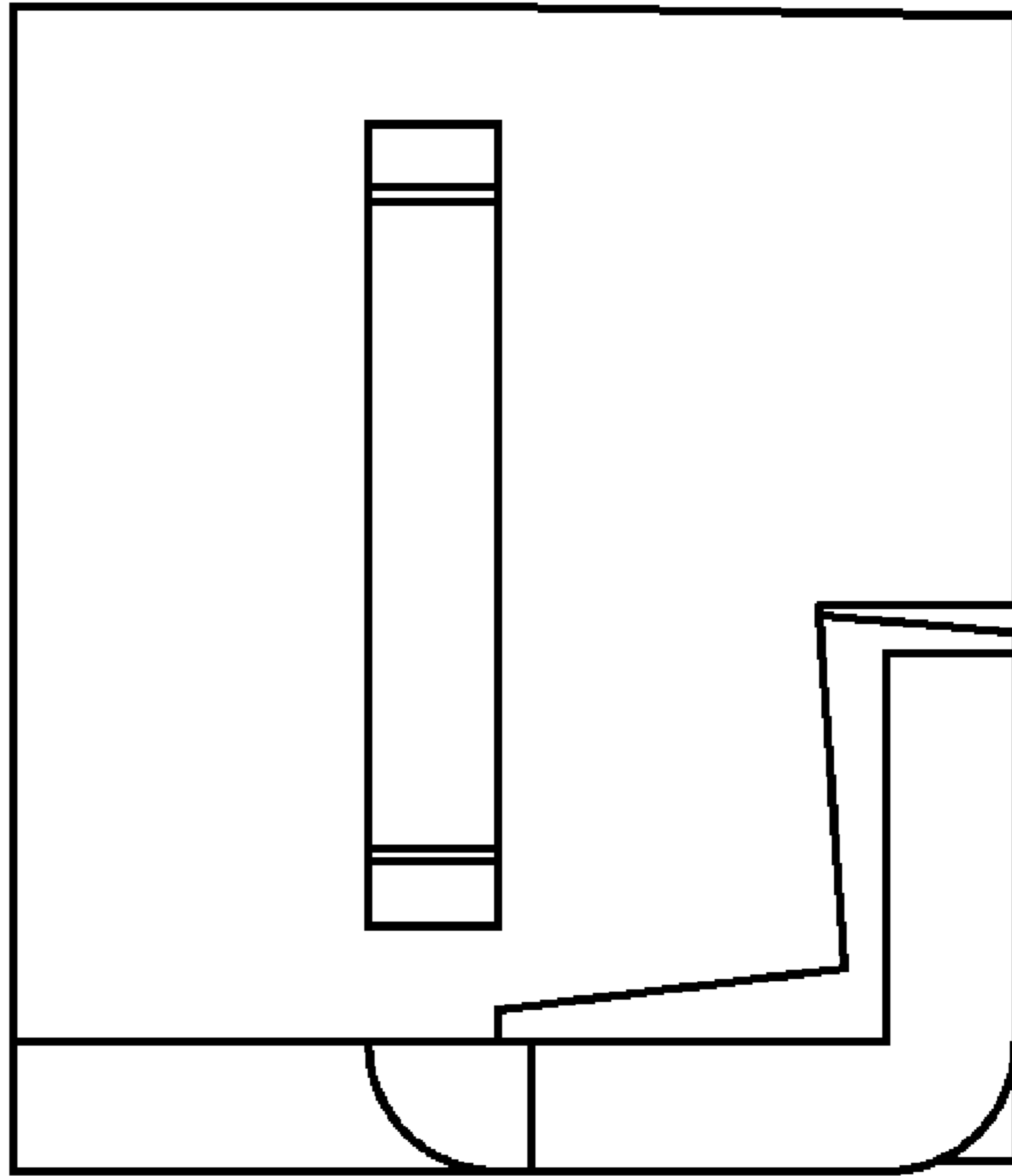


FIG. 5

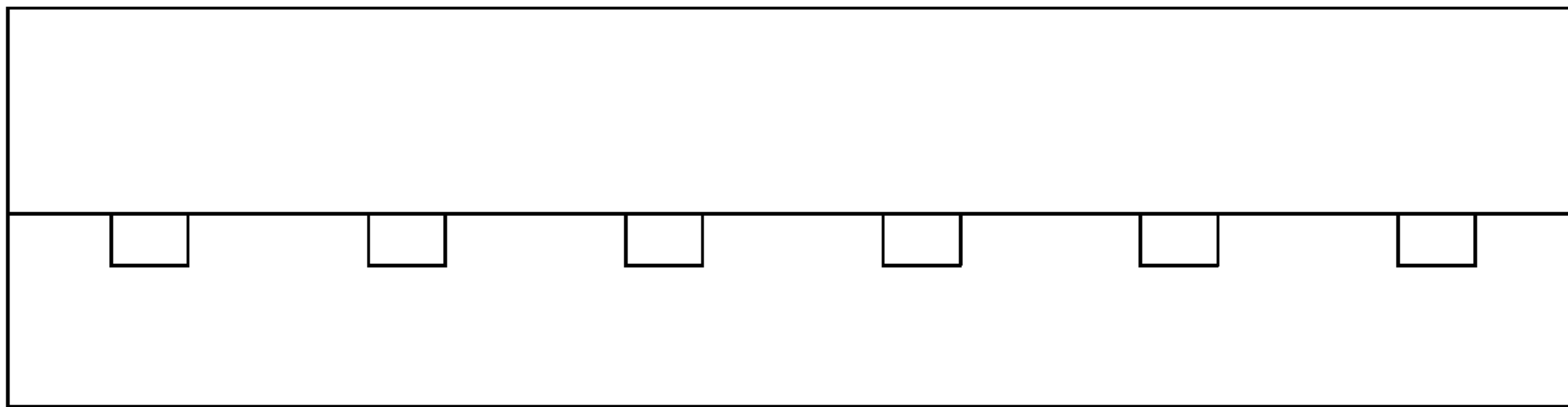


FIG. 6

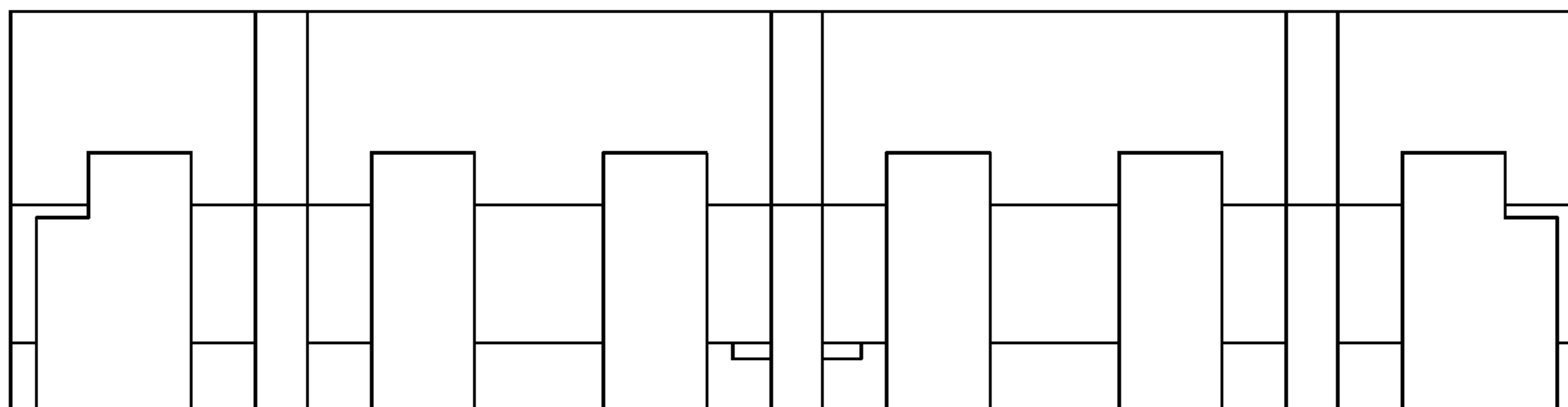


FIG. 7

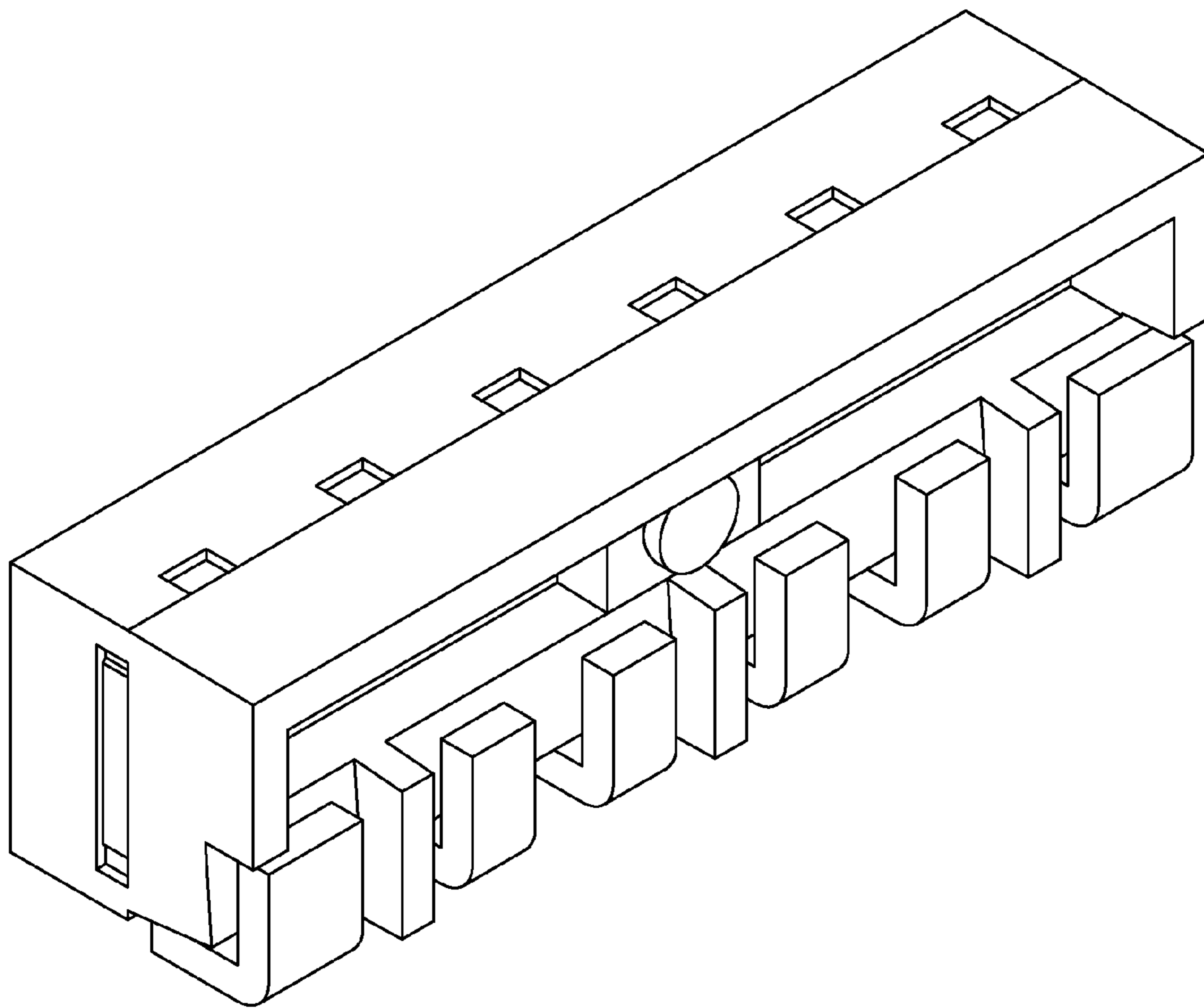


FIG. 8

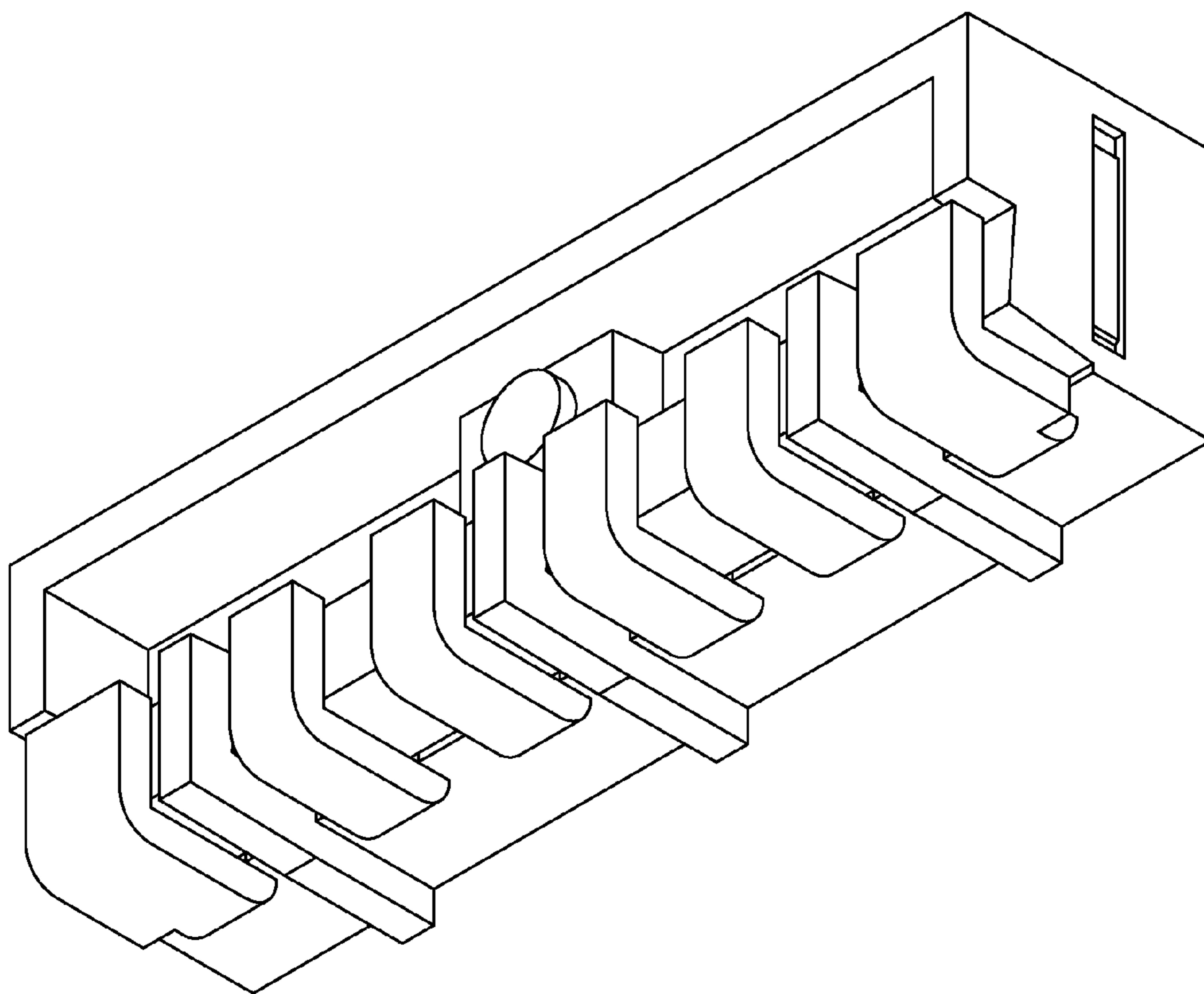


FIG. 9