



US00D593965S

(12) **United States Design Patent**
Park et al.

(10) **Patent No.:** **US D593,965 S**

(45) **Date of Patent:** **** *Jun. 9, 2009**

(54) **LIGHT EMITTING DIODE**

(75) Inventors: **Gwui-Youn Park**, Seoul (KR);
Dong-Sel Kim, Suwon-si (KR)

(73) Assignee: **Alti-Electronics Co., Ltd.**, Yongin-si,
Gyeonggi-do (KR)

(*) Notice: This patent is subject to a terminal disclaimer.

(**) Term: **14 Years**

(21) Appl. No.: **29/290,809**

(22) Filed: **Jan. 16, 2008**

(30) **Foreign Application Priority Data**

Jul. 31, 2007 (KR) 30-2007-0033045

(51) **LOC (9) Cl.** **13-03**

(52) **U.S. Cl.** **D13/180**

(58) **Field of Classification Search** D13/180;
D26/2; 257/79, 80, 81, 88, 89, 95, 98, 99,
257/100; 313/483, 498, 500; 362/555, 800
See application file for complete search history.

(56) **References Cited**

U.S. PATENT DOCUMENTS

D490,385 S * 5/2004 Ishida D13/180
D490,783 S * 6/2004 Ishida D13/180

D499,384 S * 12/2004 Kamada D13/180
D509,807 S * 9/2005 Ishida D13/180
D549,187 S * 8/2007 Park et al. D13/180
2005/0121688 A1 * 6/2005 Nagai et al. 257/99
2005/0205974 A1 * 9/2005 Su et al. 257/678
2006/0023451 A1 * 2/2006 Han et al. 362/249

* cited by examiner

Primary Examiner—Selina Sikder

(74) *Attorney, Agent, or Firm*—The Nath Law Group; Jerald L. Meyer; Derek Richmond

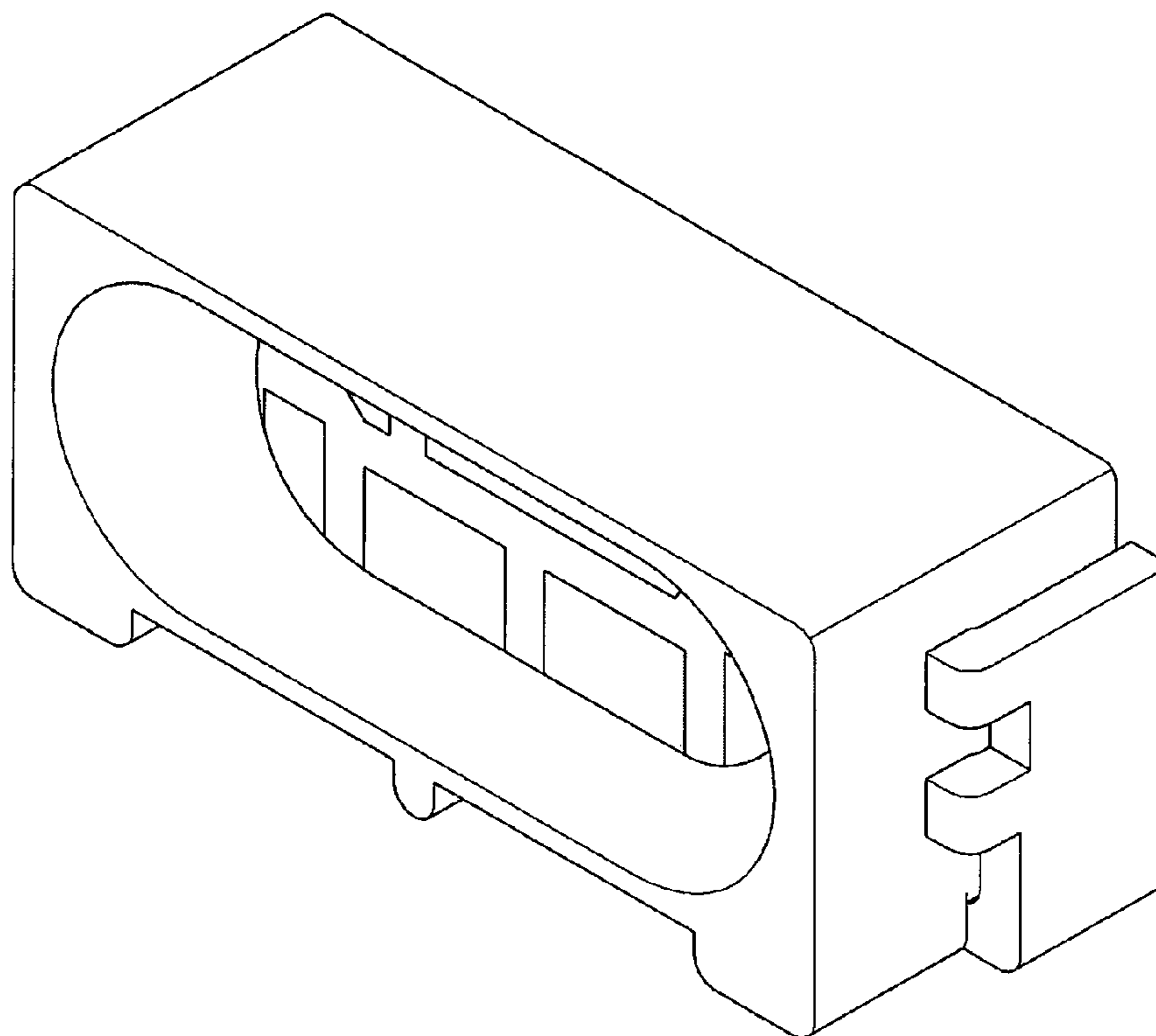
(57) **CLAIM**

The ornamental design for a light emitting diode, as shown and described.

DESCRIPTION

FIG. 1 is a front perspective view of the light emitting diode; FIG. 2 is a front elevational view of the light emitting diode; FIG. 3 is a rear elevational view of the light emitting diode wherein the broken lines form no part of the claimed design; FIG. 4 is a left side elevational view of the light emitting diode; FIG. 5 is a right side elevational view of the light emitting diode; FIG. 6 is a top plan view of the light emitting diode; and, FIG. 7 is a bottom plan view of the light emitting diode.

1 Claim, 7 Drawing Sheets



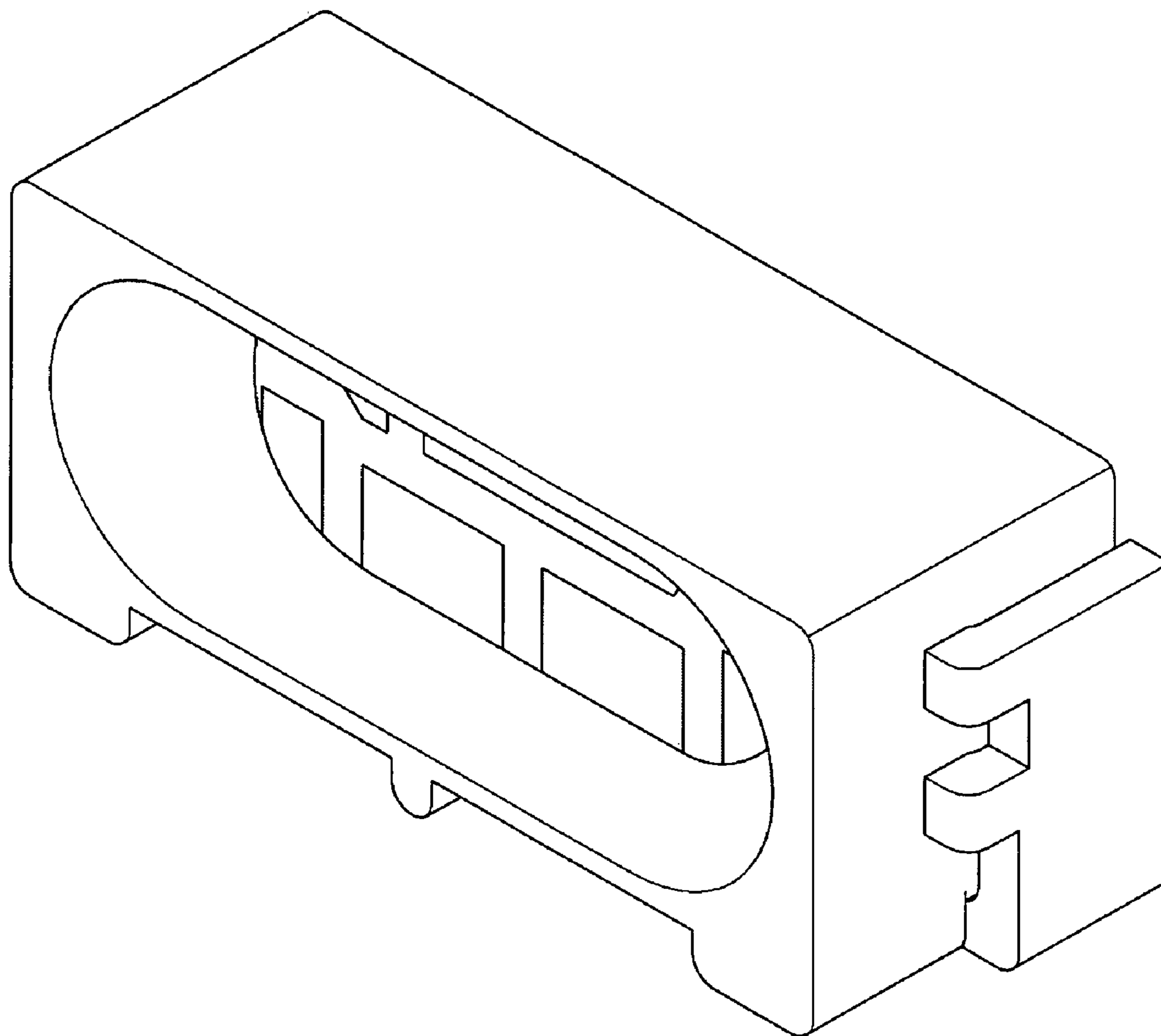


Fig. 1

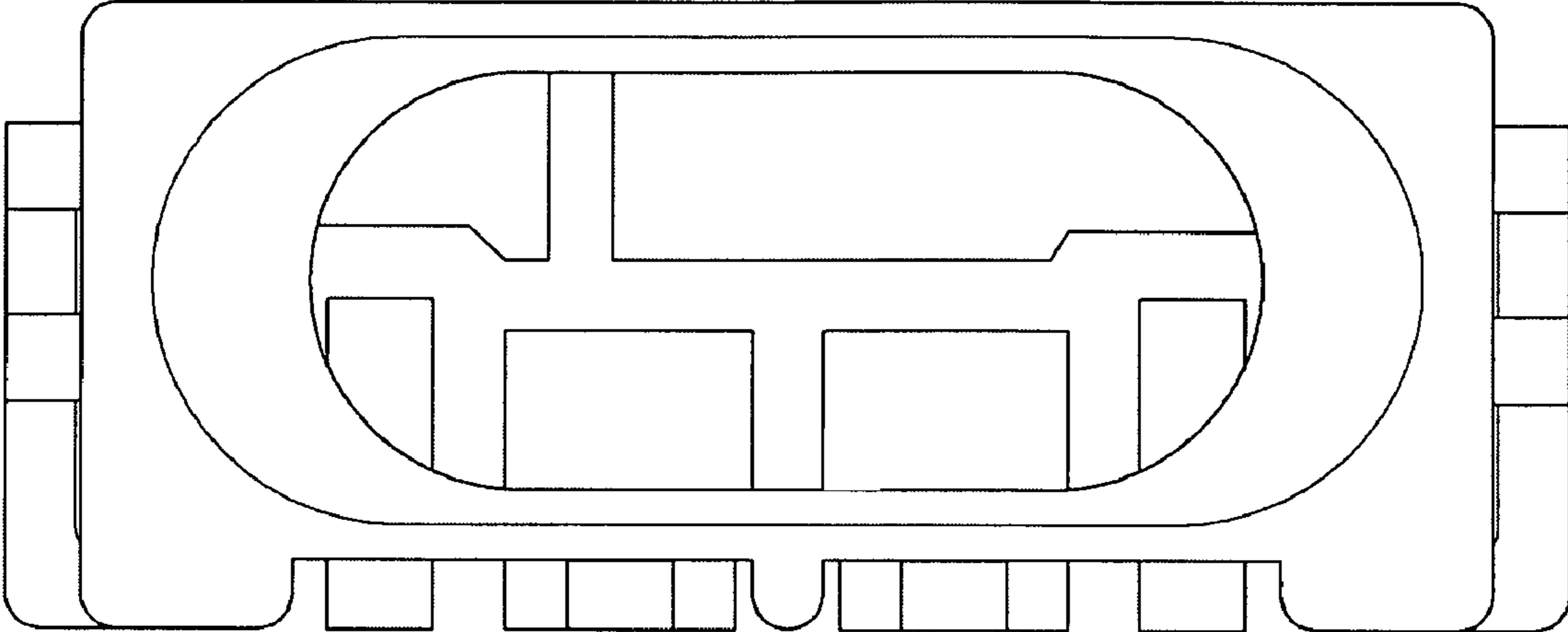


Fig. 2

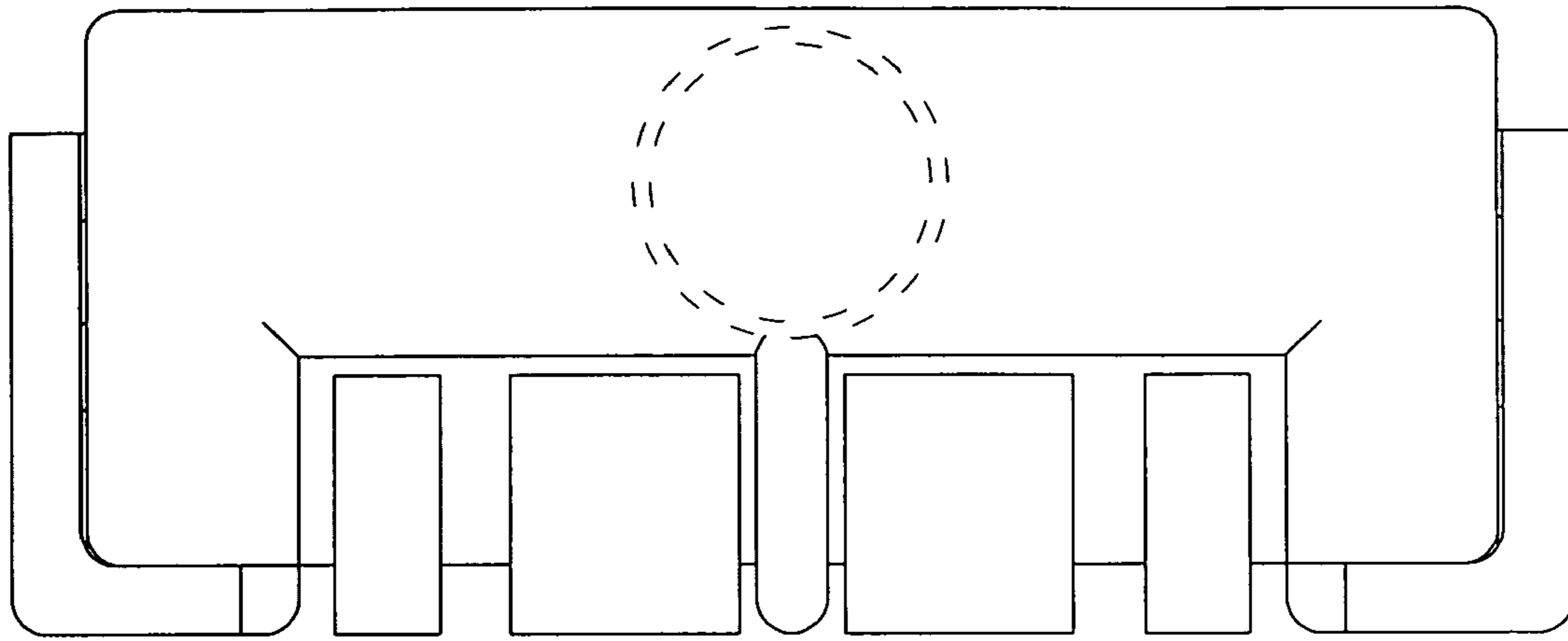


FIG. 3

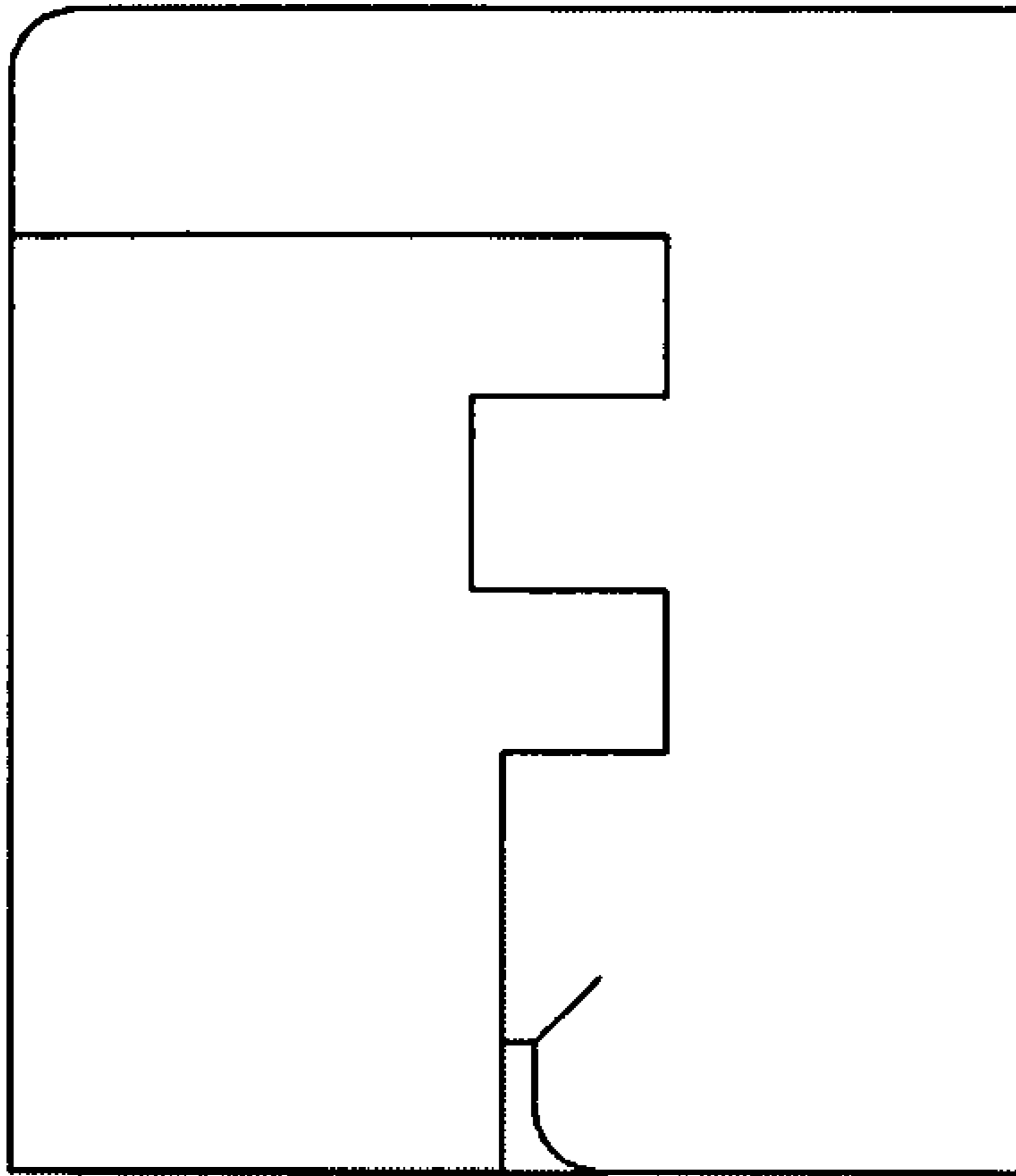


Fig. 4

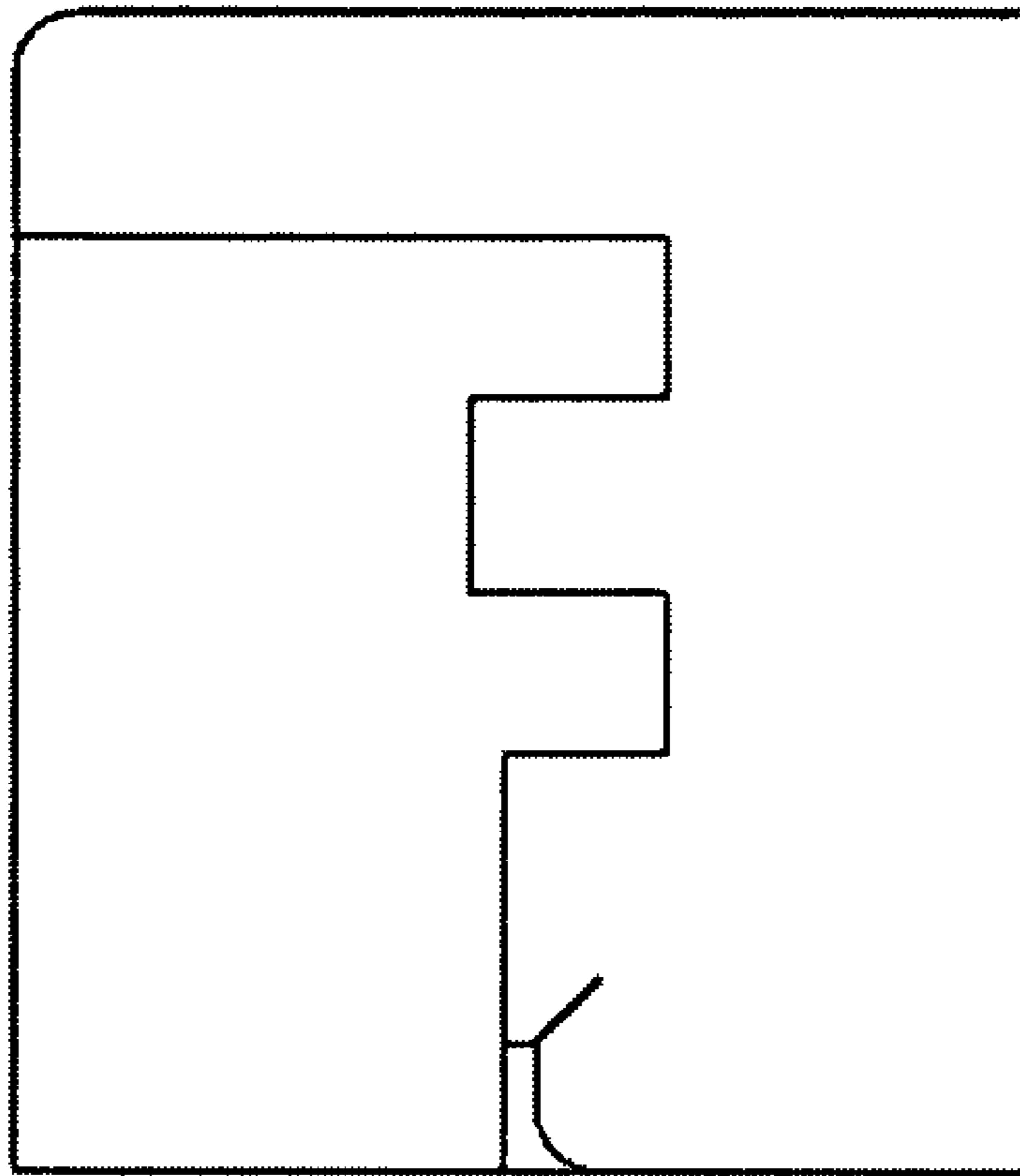


Fig. 5

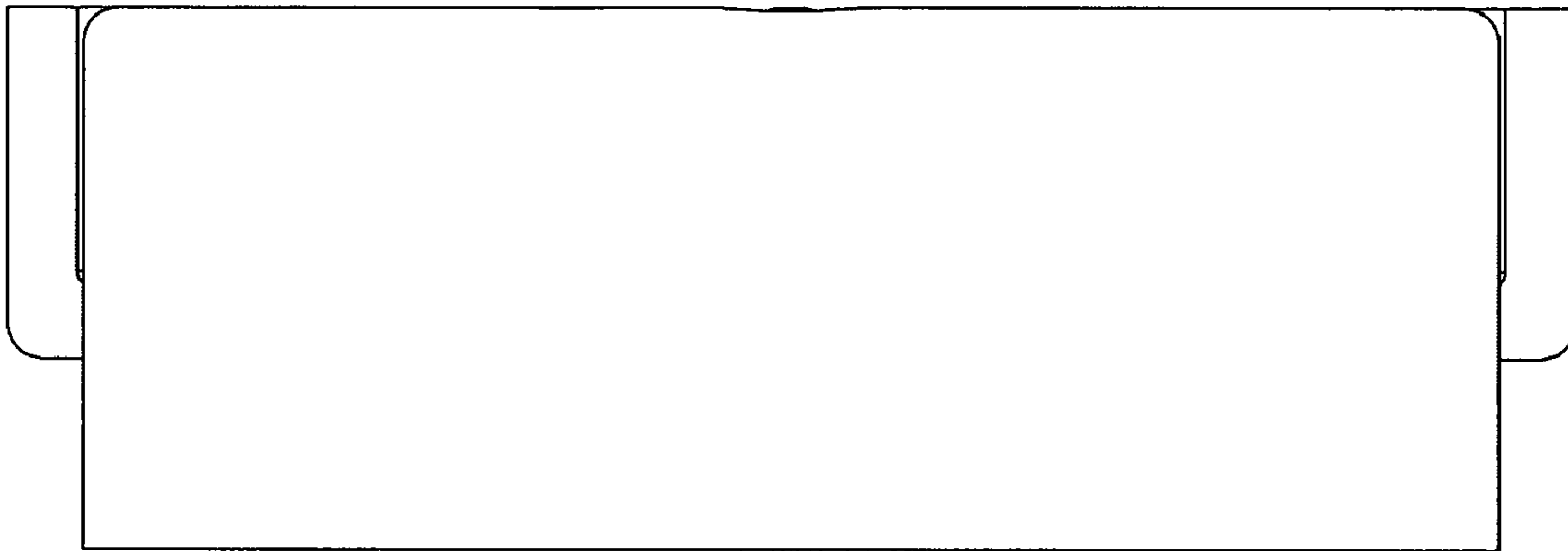


Fig. 6

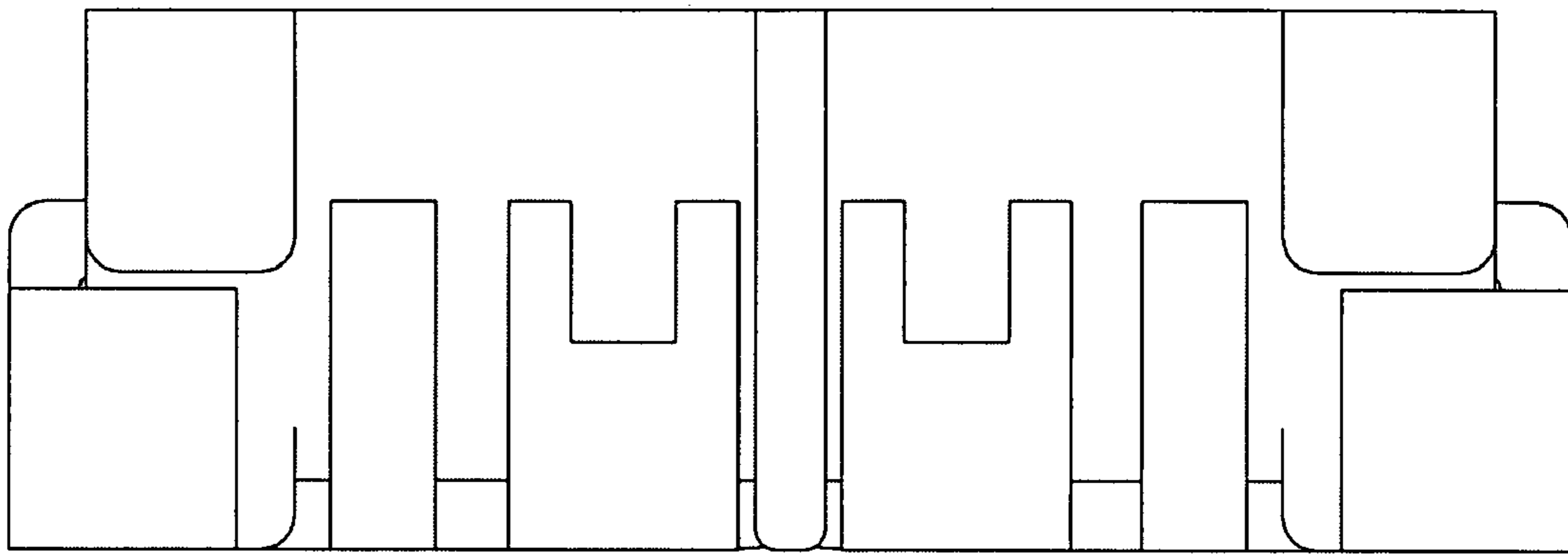


Fig. 7