



US00D593963S

(12) **United States Design Patent**
Plonski et al.

(10) **Patent No.:** **US D593,963 S**

(45) **Date of Patent:** **** Jun. 9, 2009**

(54) **MODULAR HEAT SINK**

(75) Inventors: **Eran Plonski**, Montreal (CA); **Sharath Kumar**, Laval (CA); **Eihab Baqui**, Brossard (CA)

(73) Assignee: **4187318 Canada Inc.**, Saint-Laurent, Quebec (CA)

(**) Term: **14 Years**

(21) Appl. No.: **29/317,124**

(22) Filed: **Apr. 23, 2008**

(51) **LOC (9) Cl.** **13-03**

(52) **U.S. Cl.** **D13/179**

(58) **Field of Classification Search** D13/179;
165/80.3, 104.33, 151, 122, 185; 257/706,
257/707, 718-722; 361/687, 695, 697, 700,
361/702, 704, 709, 710, 711, 719

See application file for complete search history.

(56) **References Cited**

U.S. PATENT DOCUMENTS

D466,871 S *	12/2002	Lee	D13/179
D500,745 S *	1/2005	Duan et al.	D13/179
6,851,467 B1 *	2/2005	Bamford et al.	165/80.3
D579,421 S *	10/2008	Chu	D13/179
D579,422 S *	10/2008	Shuai et al.	D13/179
2004/0244948 A1 *	12/2004	Luo	165/80.3
2006/0213642 A1 *	9/2006	Lai	165/80.3

* cited by examiner

Primary Examiner—Selina Sikder

(74) *Attorney, Agent, or Firm*—Ogilvy Renault LLP

(57) **CLAIM**

The ornamental design for a modular heat sink, as shown and described.

DESCRIPTION

FIG. 1 is a perspective view of a modular heat sink of the present design;

FIG. 2 is a front view of the modular heat sink of FIG. 1, the opposite rear view being a mirror image thereof;

FIG. 3 is a top view of the modular heat sink of FIG. 1, the bottom, left and right side views of the modular heat sink of FIG. 1 being identical thereto;

FIG. 4 is a perspective view of a heat sink component of the modular heat sink of FIG. 1, shown separately for illustrating portions of the design not visible in FIGS. 1-3 of which four such heat sink components make up the modular heat sink of FIG. 1;

FIG. 5 is a front view of the heat sink component of FIG. 4, the opposite rear view being a mirror image thereof;

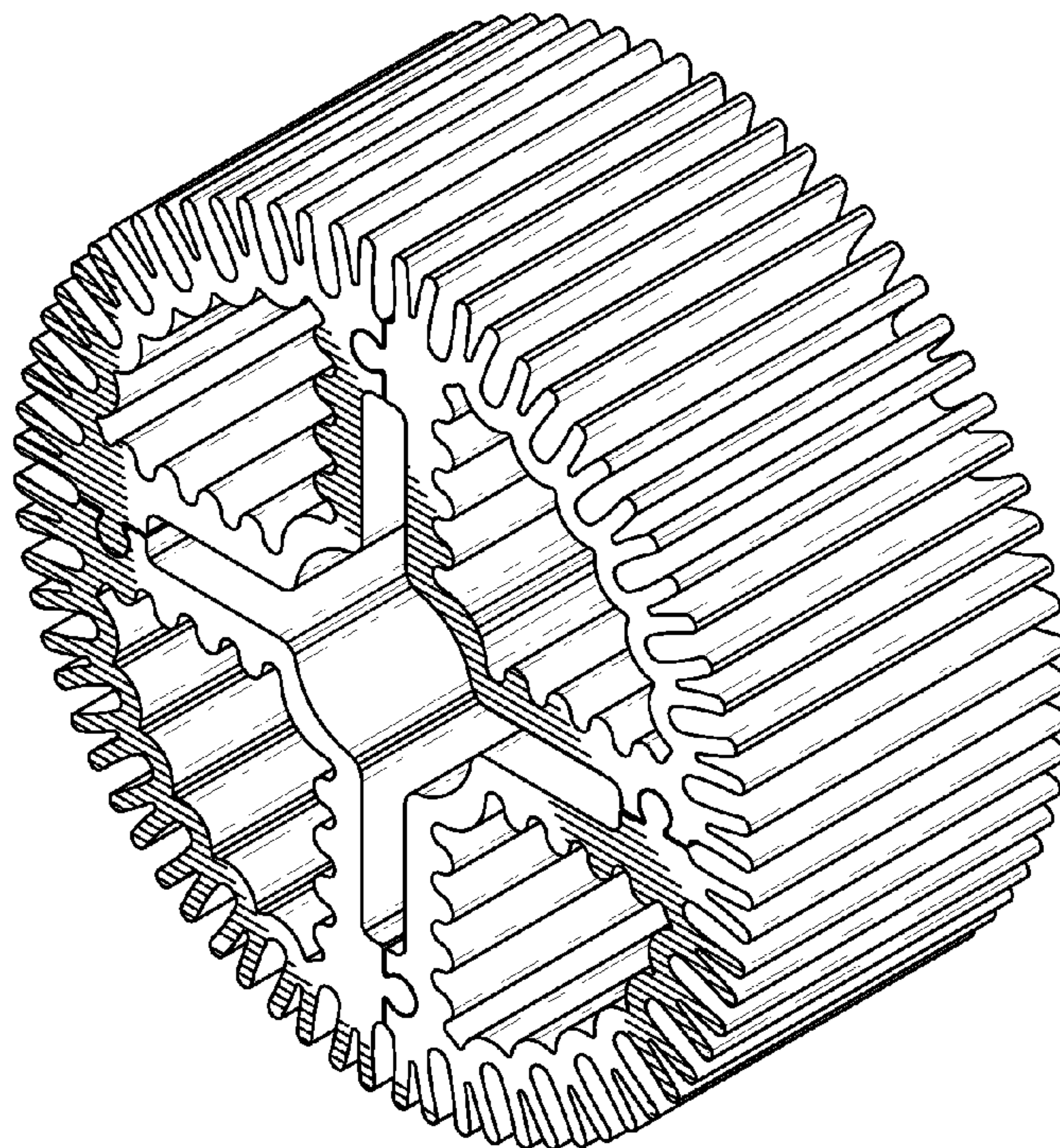
FIG. 6 is a left side view of the heat sink component of FIG. 4;

FIG. 7 is a right side view of the heat sink component of FIG. 4;

FIG. 8 top view of the heat sink component of FIG. 4; and,

FIG. 9 is a bottom view of the heat sink component of FIG. 4.

1 Claim, 5 Drawing Sheets



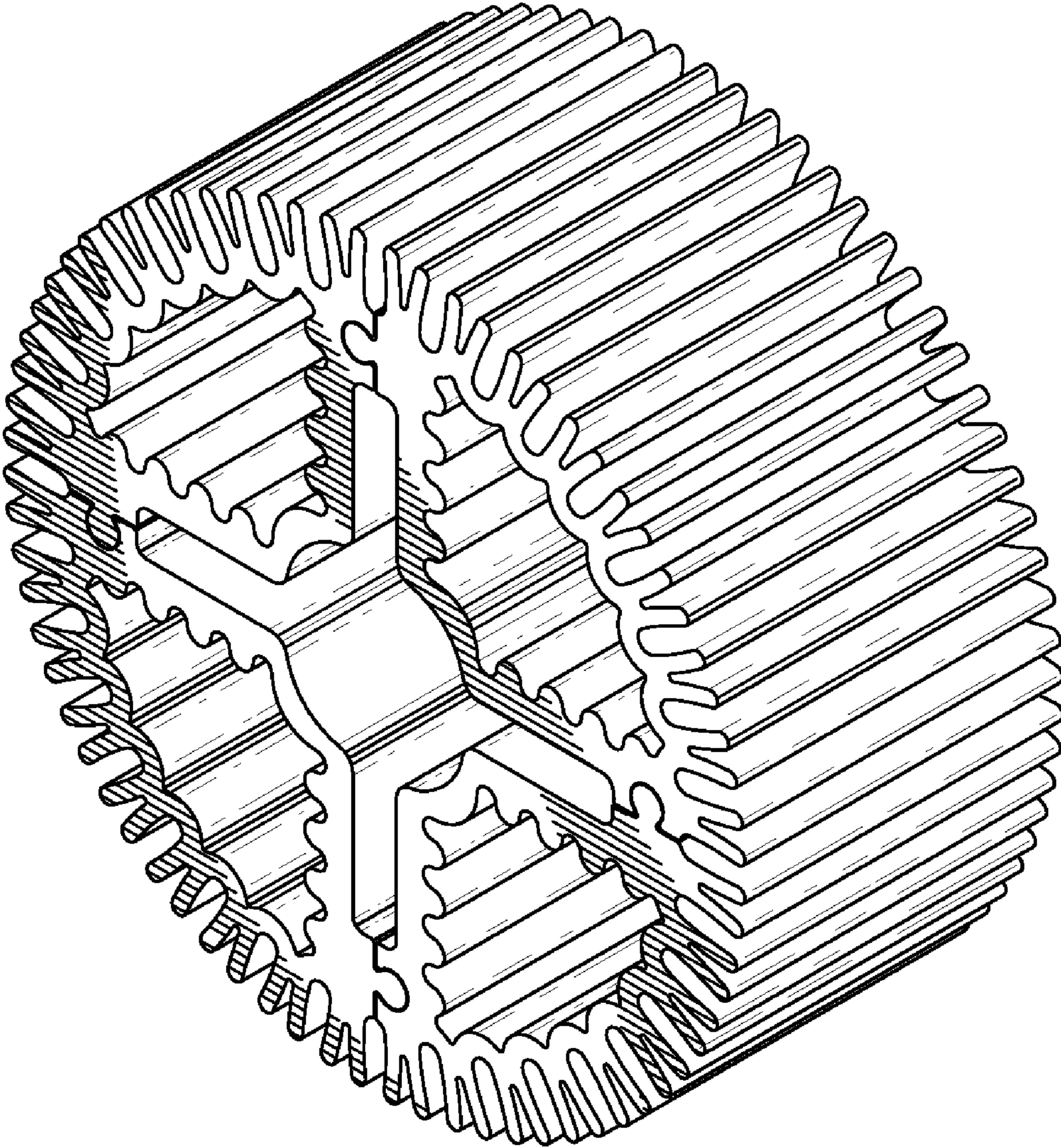


FIG. 1

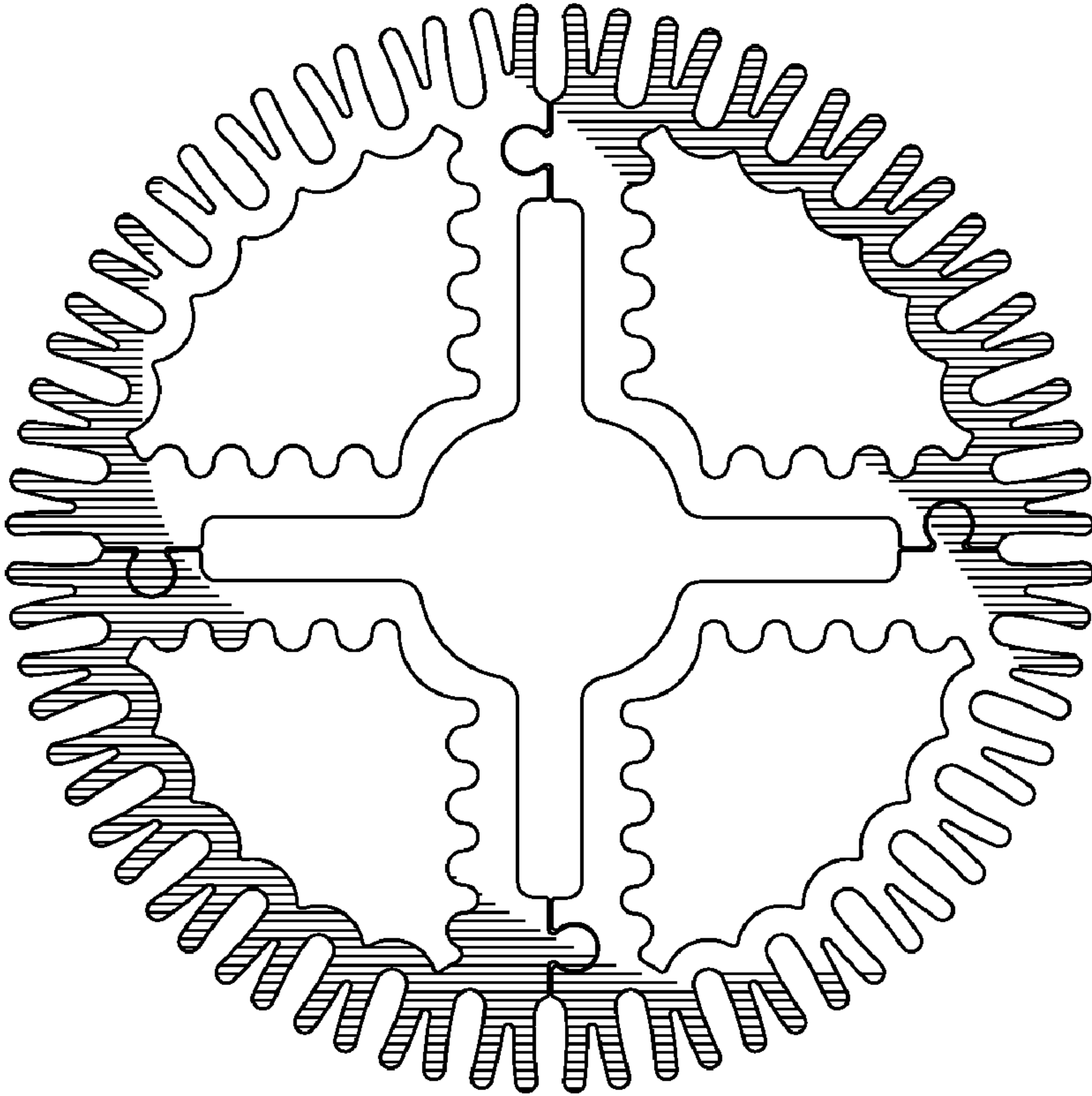


FIG. 2

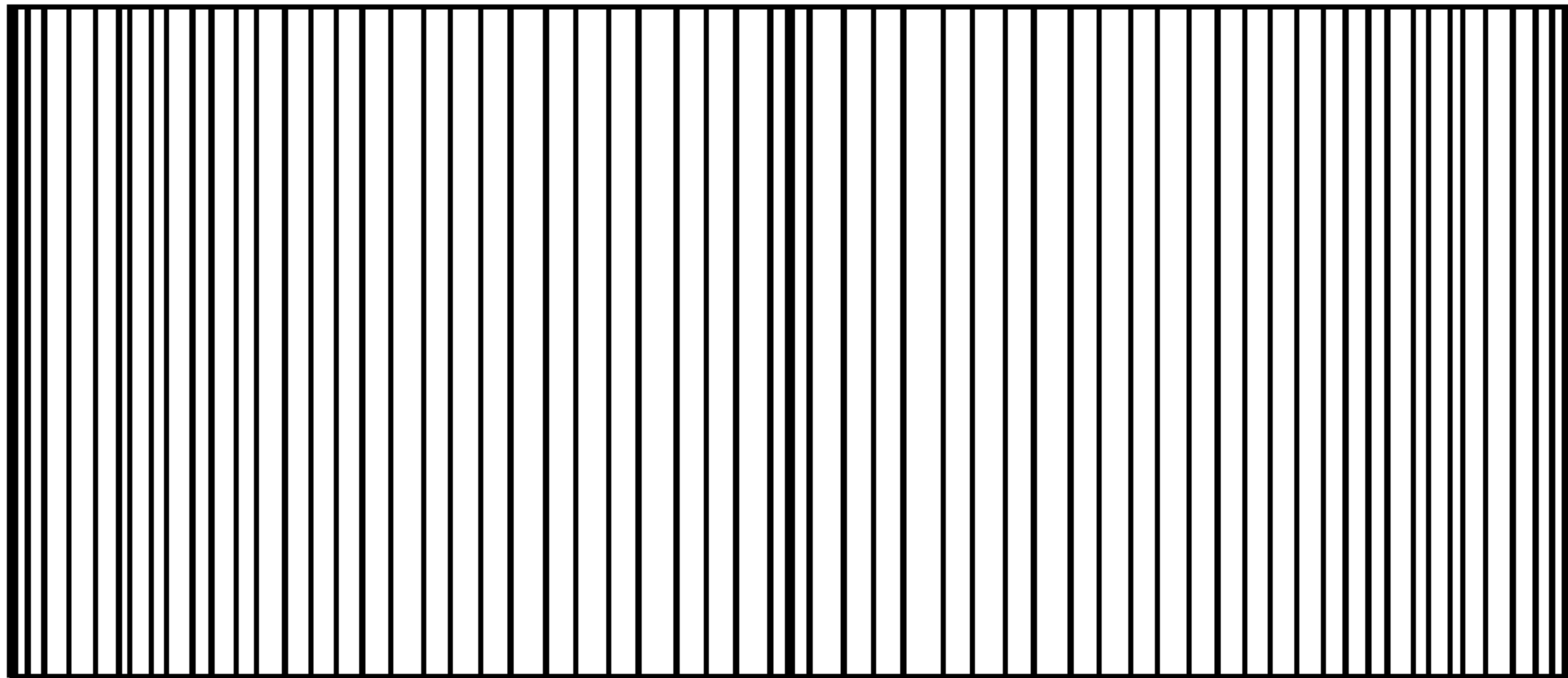


FIG. 3

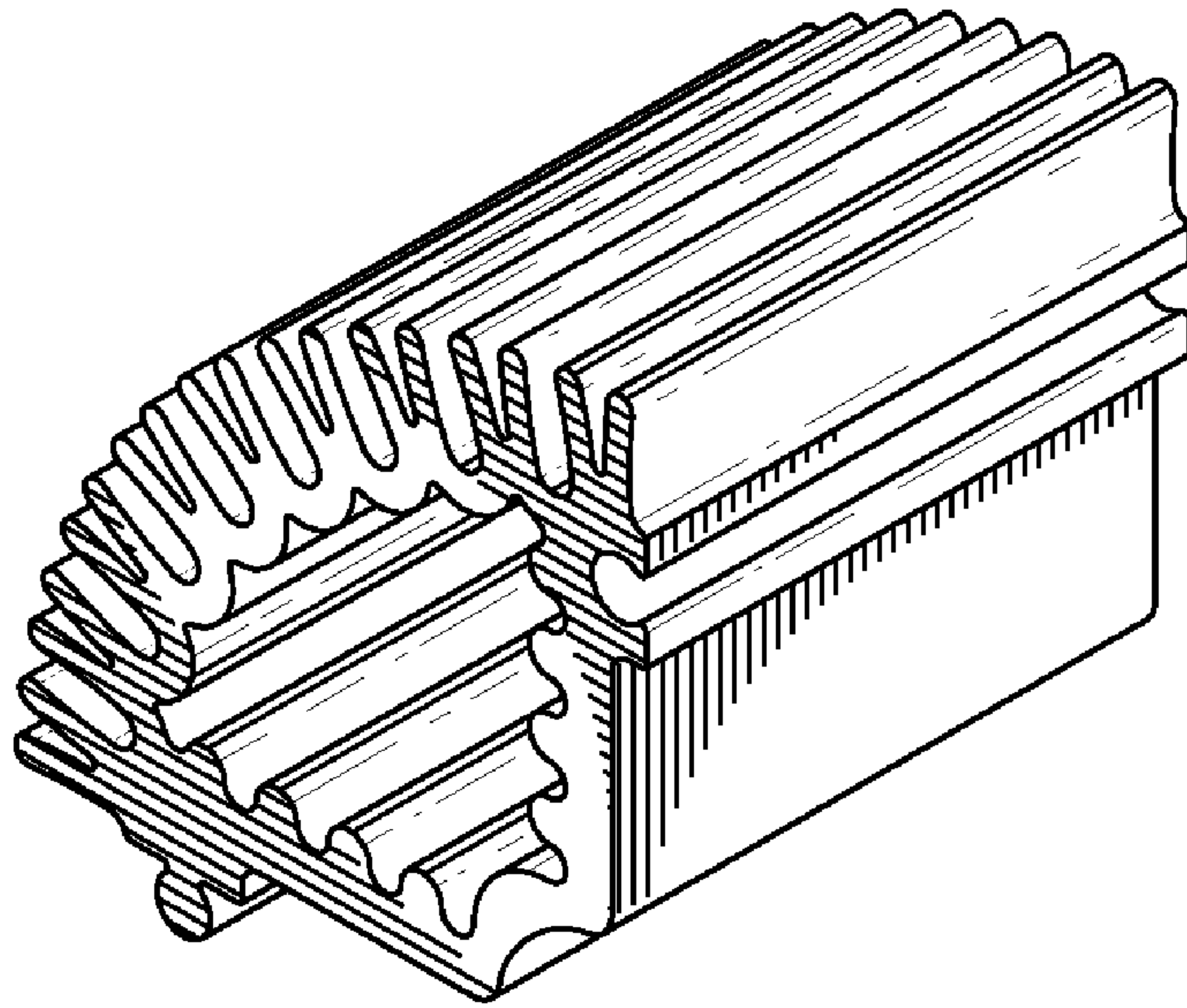


FIG. 4

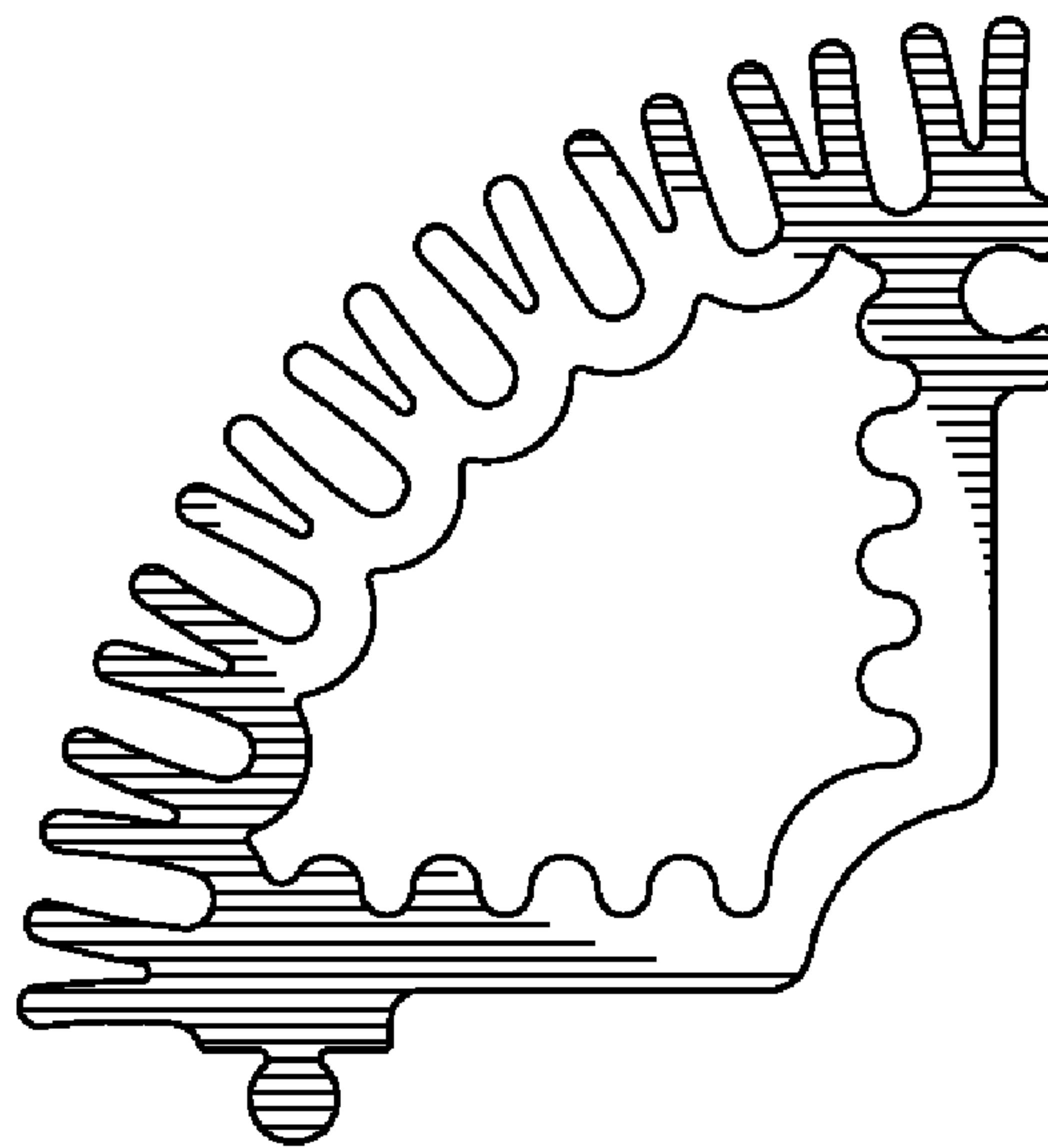


FIG. 5

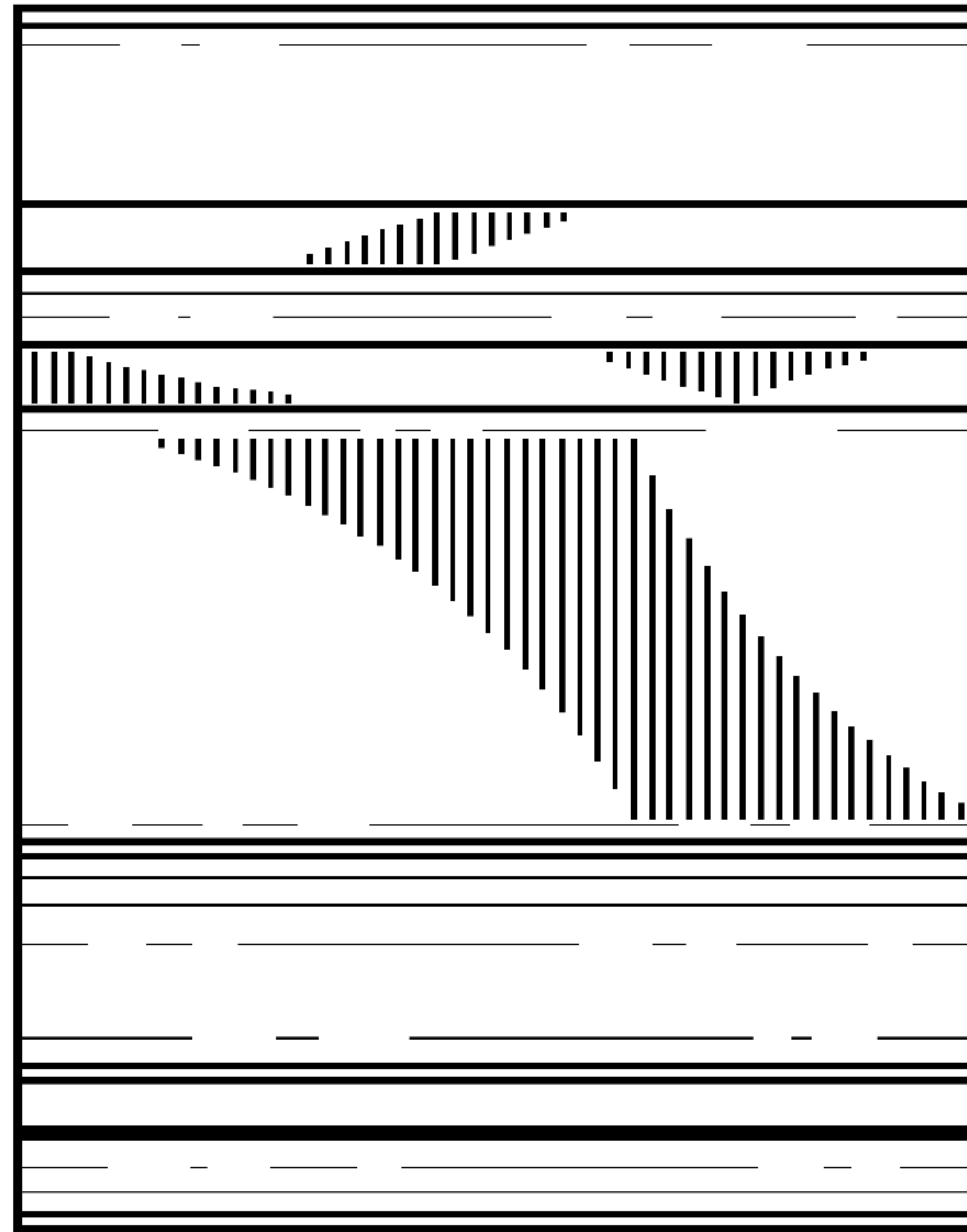


FIG. 6

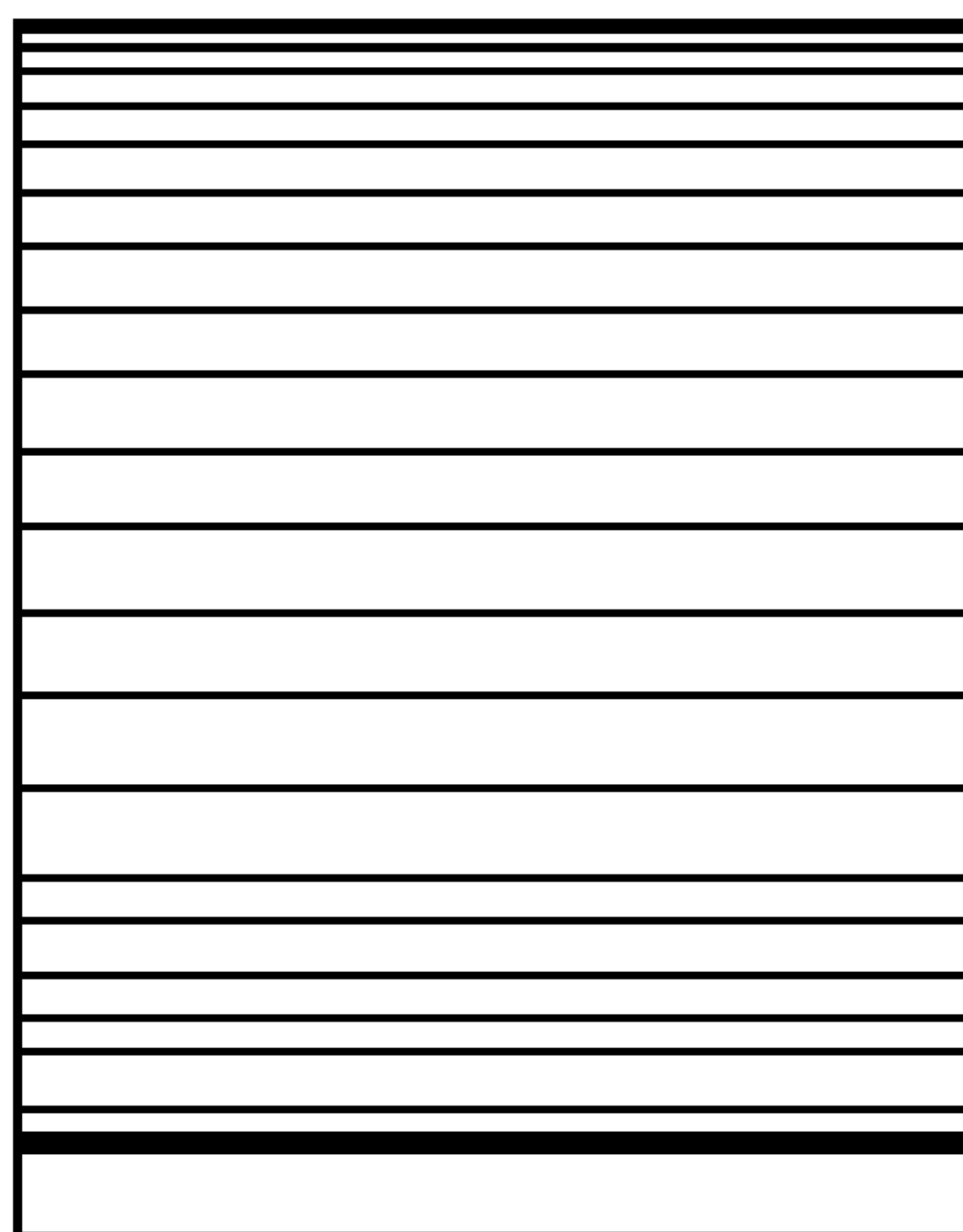


FIG. 7

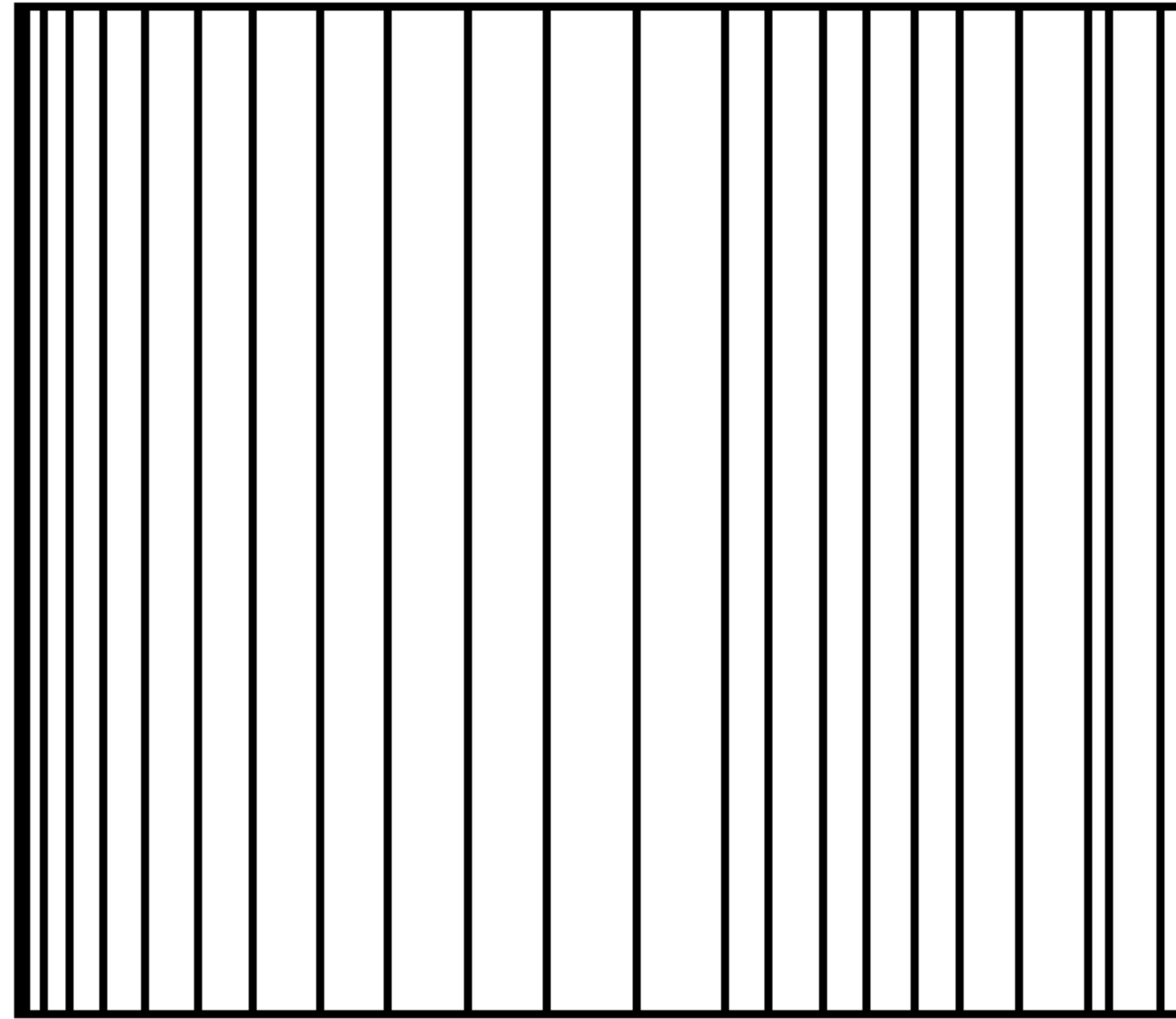


FIG. 8

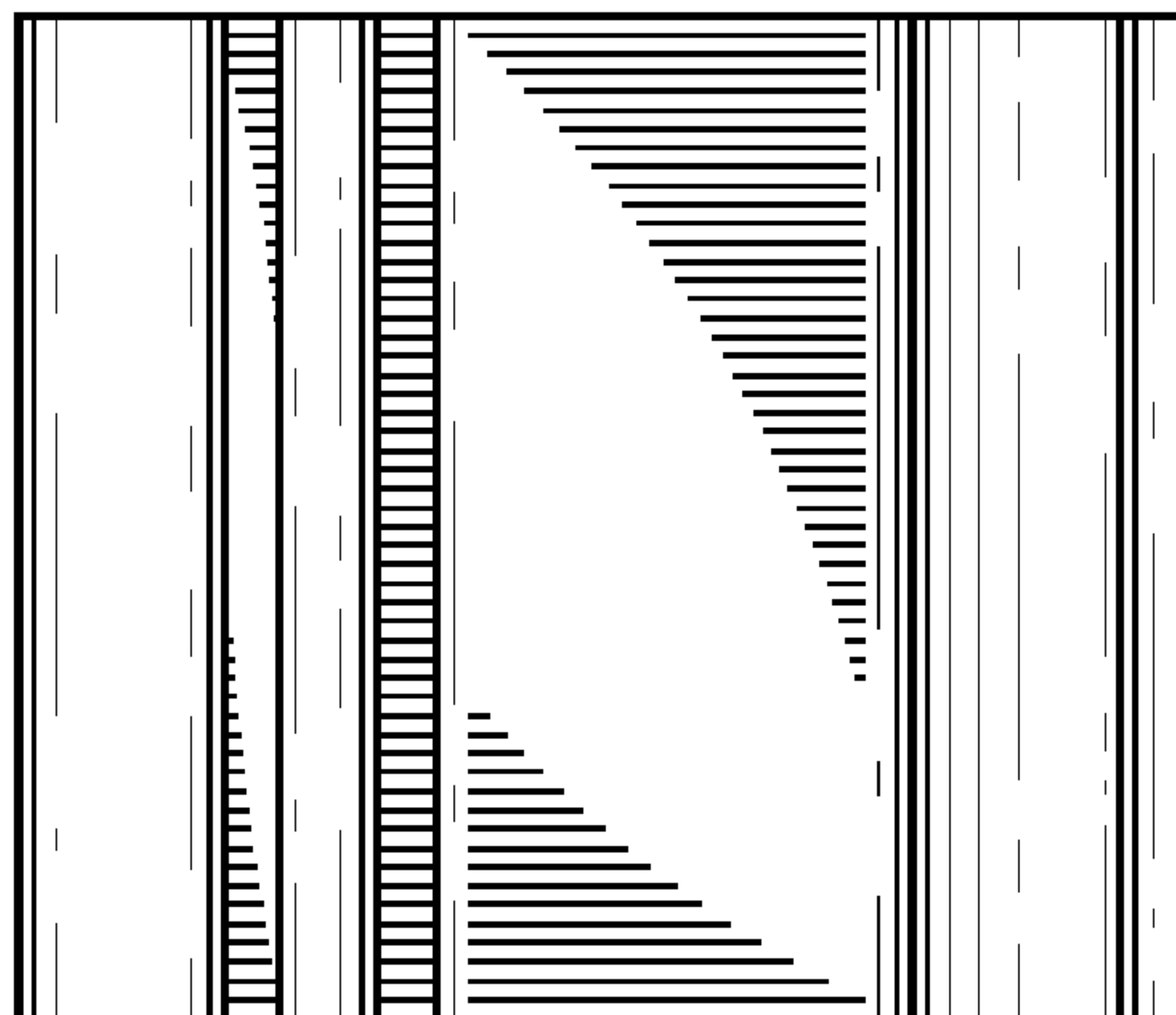


FIG. 9