

US00D593962S

(12) **United States Design Patent**
Ross et al.

(10) **Patent No.:** **US D593,962 S**

(45) **Date of Patent:** **** Jun. 9, 2009**

(54) **CONTROL MODULE**

D587,211 S * 2/2009 Greenslade D13/162

(75) Inventors: **Daniel P. Ross**, White Bear Lake, MN (US); **Greg T. Mrozek**, Brooklyn Park, MN (US)

* cited by examiner

Primary Examiner—Daniel D Bui
Assistant Examiner—Thomas J Johannes

(73) Assignee: **Graco Minnesota Inc.**, Minneapolis, MN (US)

(74) *Attorney, Agent, or Firm*—Douglas B. Farrow

(**) Term: **14 Years**

(57) **CLAIM**

(21) Appl. No.: **29/318,362**

The ornamental design for the control module, as shown and described.

(22) Filed: **May 19, 2008**

DESCRIPTION

(51) **LOC (9) Cl.** **13-03**

FIG. 1 is a front perspective view of a control module, showing our new design;

(52) **U.S. Cl.** **D13/162; D13/123**

FIG. 2 is a front elevation view thereof;

(58) **Field of Classification Search** D13/123,

FIG. 3 is a bottom elevation view thereof;

D13/133, 146, 147, 154, 162, 184, 199; D14/256,

FIG. 4 is a right side elevation view thereof;

D14/356–358; 439/92, 344, 607–610, 638,

FIG. 5 is a left side elevation view thereof;

439/650, 676

FIG. 6 is a top elevation view thereof; and,

See application file for complete search history.

FIG. 7 is a rear elevation view thereof.

(56) **References Cited**

The broken line portion of the figure drawings is included to show unclaimed subject matter only and forms no part of the claimed design.

U.S. PATENT DOCUMENTS

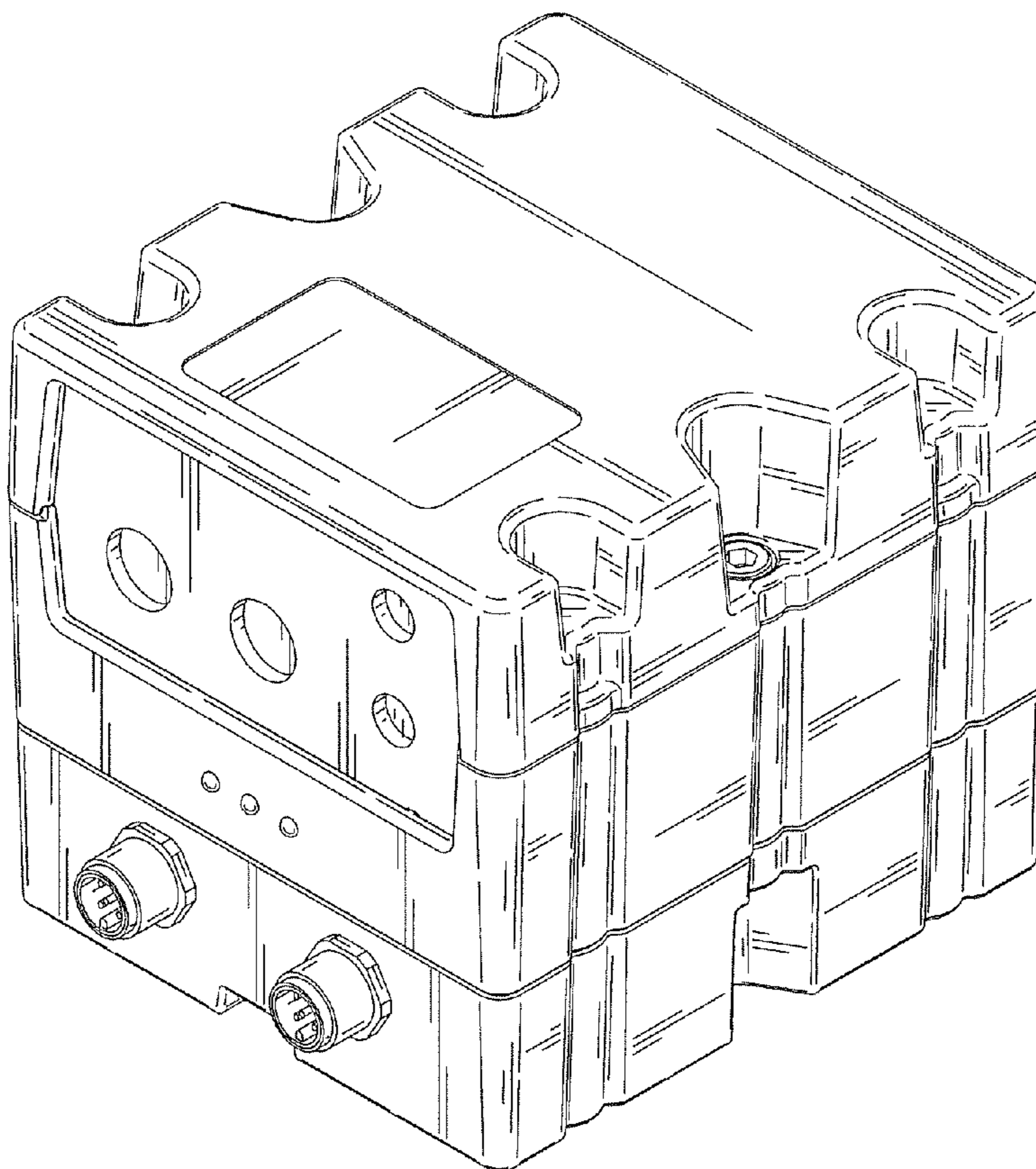
D246,851 S * 1/1978 Tarchalski et al. D13/160

D344,715 S * 3/1994 Hsiao et al. D13/159

D359,947 S * 7/1995 Greene D13/158

D582,848 S * 12/2008 Johansson D13/123

1 Claim, 7 Drawing Sheets



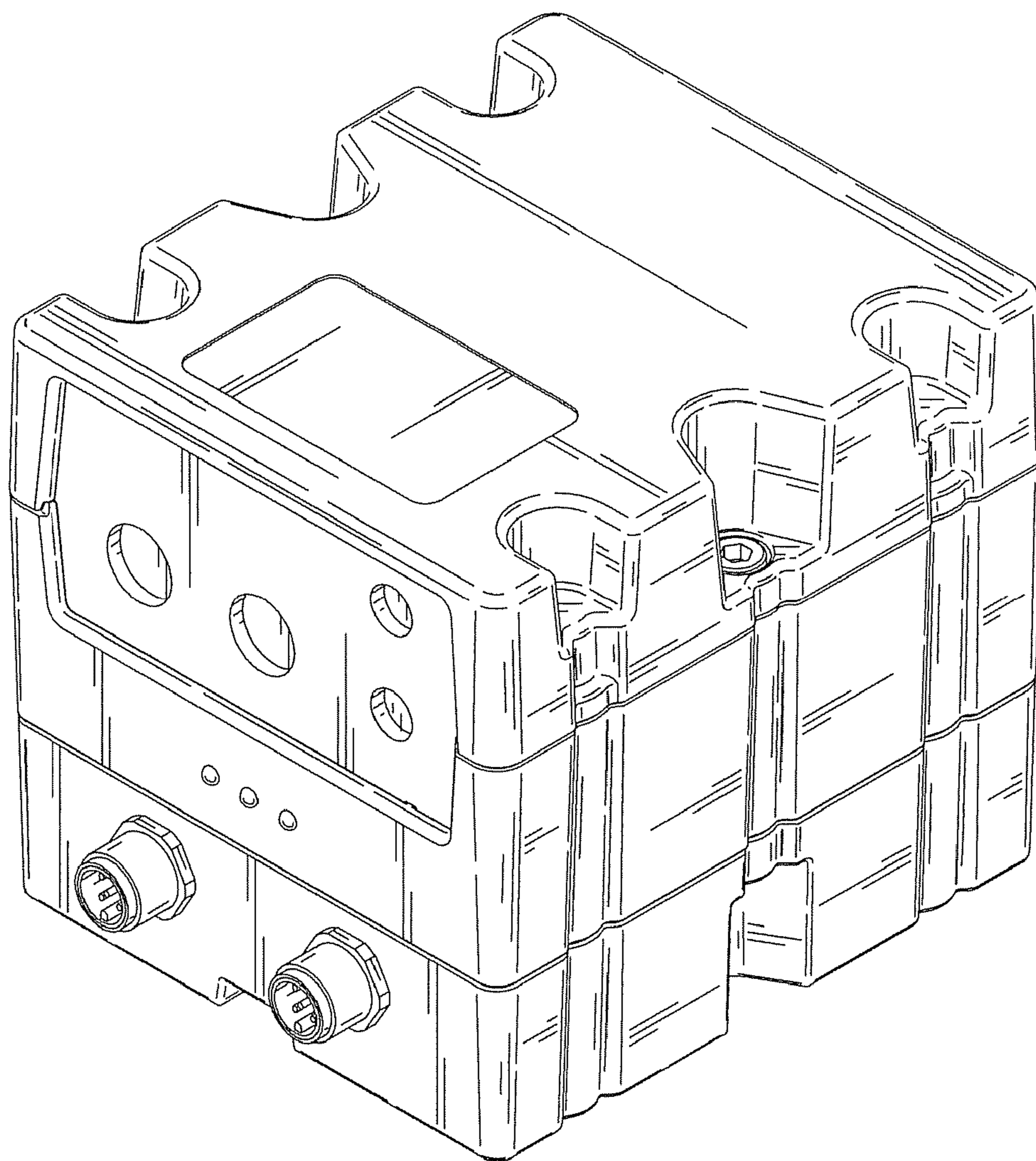


FIG. 1

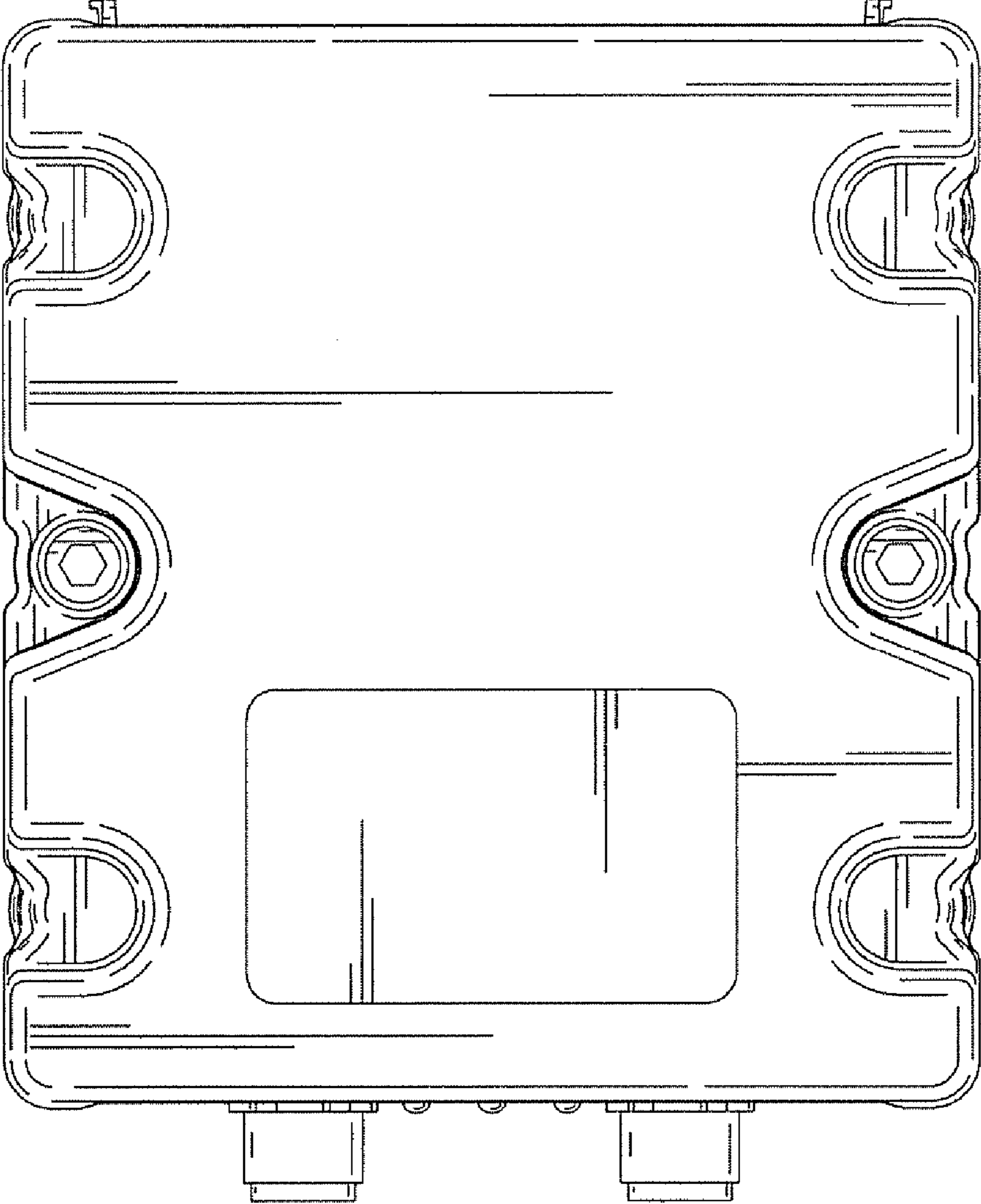


FIG. 2

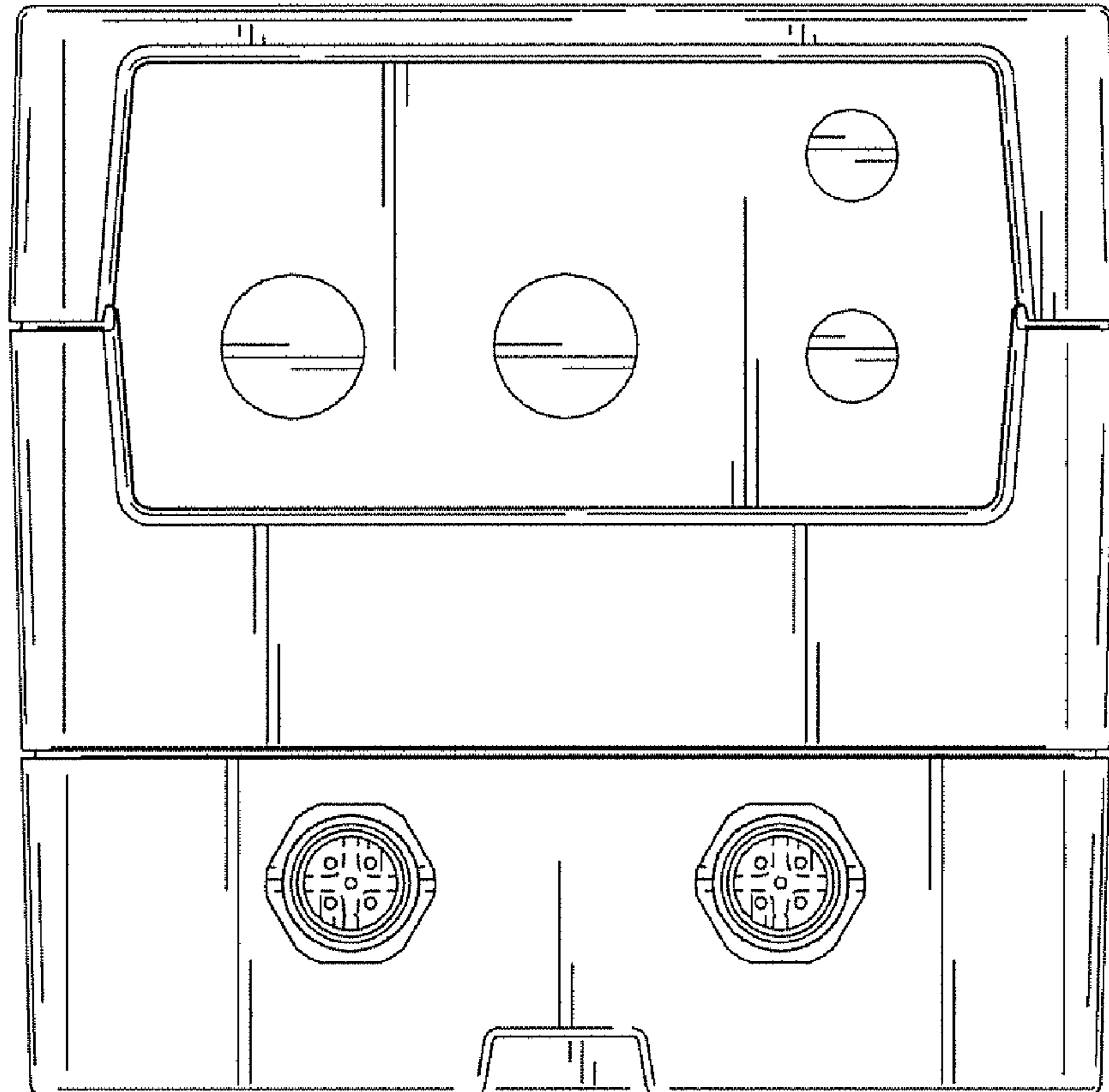


FIG. 3

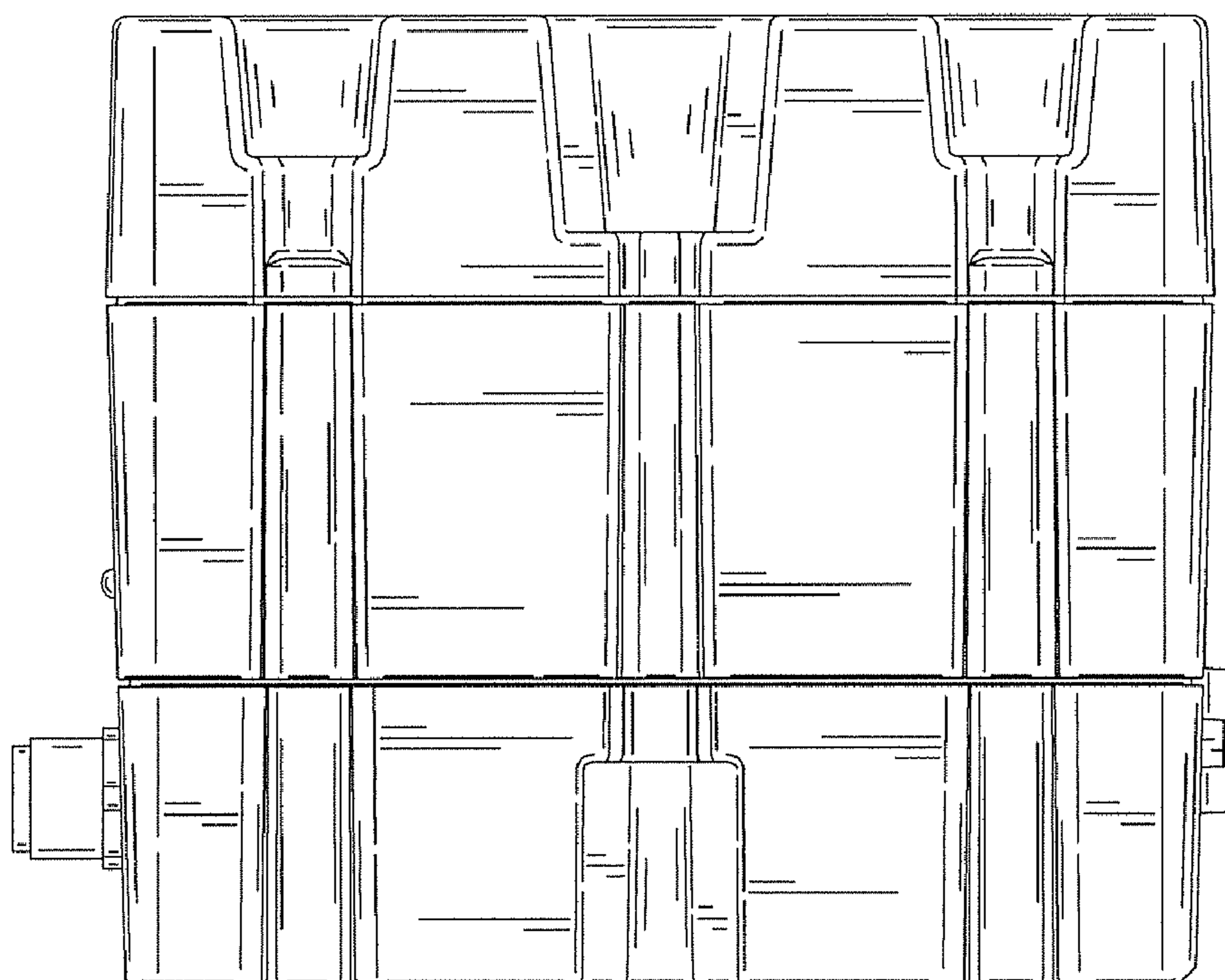


FIG. 4

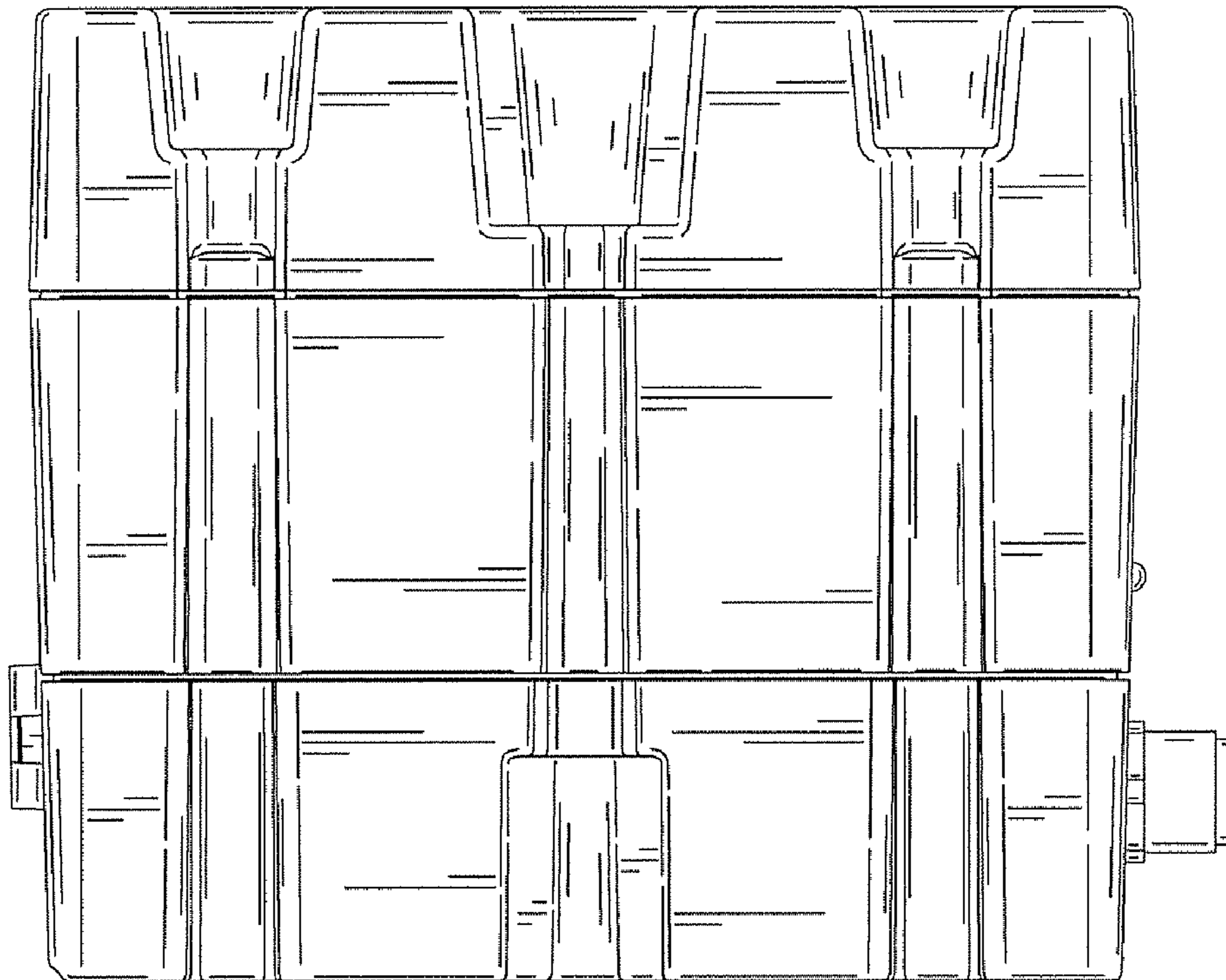


FIG. 5

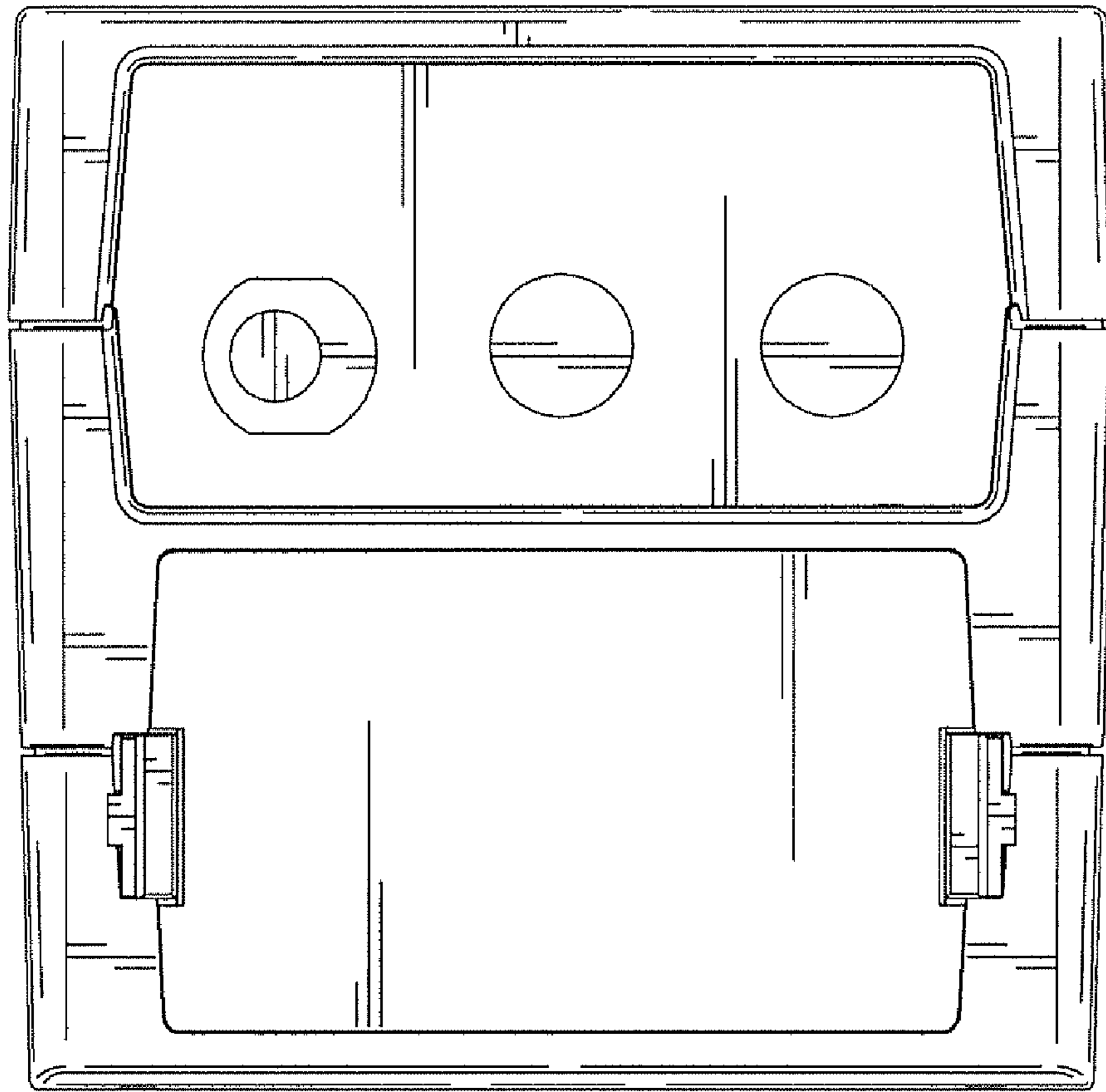


FIG. 6

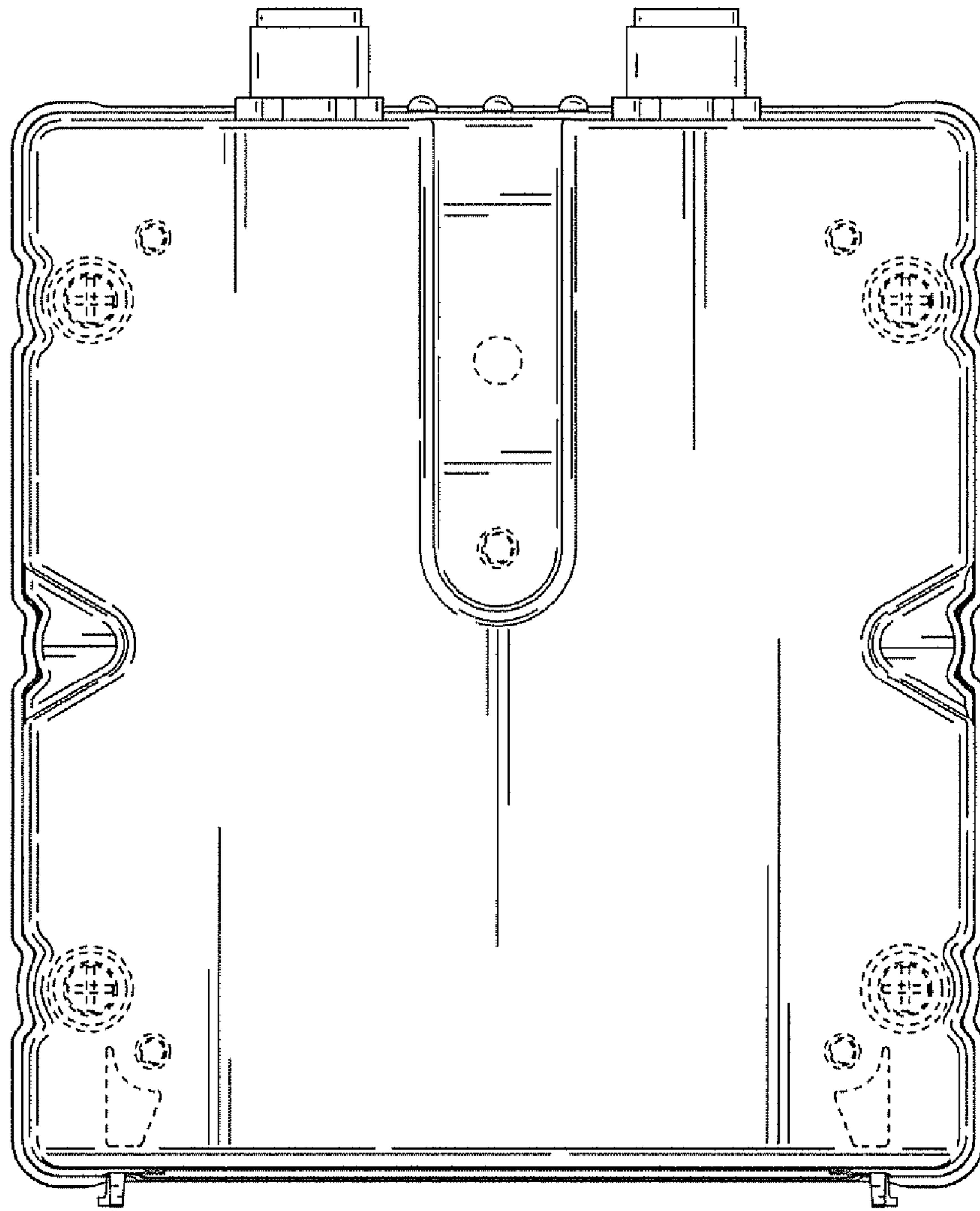


FIG. 7