



US00D593961S

(12) **United States Design Patent**
Ball et al.

(10) **Patent No.:** **US D593,961 S**
(45) **Date of Patent:** **** Jun. 9, 2009**

(54) **TEST SWITCH**

(75) Inventors: **Roy Ball**, Coral Springs, FL (US);
Timothy Masters, Boca Raton, FL (US)

(73) Assignee: **ABB Technology AG**, Zurich (CH)

(**) Term: **14 Years**

(21) Appl. No.: **29/329,344**

(22) Filed: **Dec. 12, 2008**

Related U.S. Application Data

(62) Division of application No. 29/235,665, filed on Aug. 4, 2005, now Pat. No. Des. 585,388.

(51) **LOC (9) Cl.** **13-03**

(52) **U.S. Cl.** **D13/158**

(58) **Field of Classification Search** D13/162,
D13/164, 169, 158; 29/622; 200/5 A; 324/418-423,
324/754; 335/159; 361/189; 439/517, 521
See application file for complete search history.

(56) **References Cited**

U.S. PATENT DOCUMENTS

6,384,350 B1 * 5/2002 Shincovich et al. 200/5 A
6,551,126 B1 * 4/2003 Feldman 439/482
D558,687 S * 1/2008 Ball D13/164
D583,334 S * 12/2008 Ball et al. D13/169

D585,388 S * 1/2009 Ball et al. D13/169
D587,213 S * 2/2009 Ball et al. D13/169
2005/0250376 A1 * 11/2005 Ostmeier 439/521
2006/0059681 A1 * 3/2006 Ball 29/622

* cited by examiner

Primary Examiner—Selina Sikder

(74) *Attorney, Agent, or Firm*—Michael C. Prewitt

(57) **CLAIM**

We claim the ornamental design for a test switch, as shown and described.

DESCRIPTION

FIG. 1 is a front and left side perspective view of a test switch according to the present invention;

FIG. 2 is a rear and left side perspective view of the FIG. 1 test switch;

FIG. 3 is a front elevational view of the FIG. 1 test switch;

FIG. 4 is a rear elevational view of the FIG. 1 test switch;

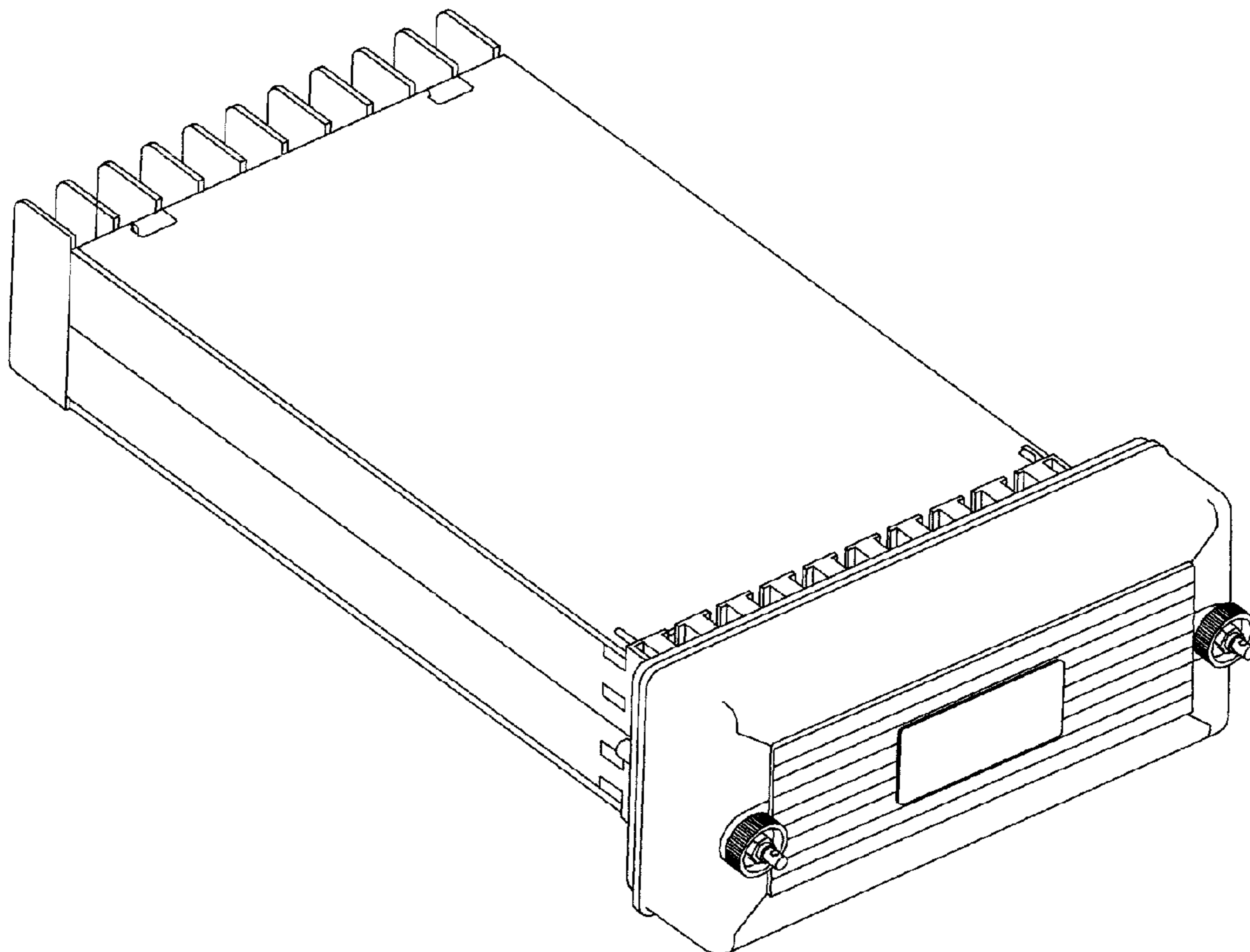
FIG. 5 is a right side elevational view of the FIG. 1 test switch, the left side being a mirror image of the right side;

FIG. 6 is a top plan view of the FIG. 1 test switch; and,

FIG. 7 is a bottom plan view of the FIG. 1 test switch.

All dashed portions are disclaimed.

1 Claim, 7 Drawing Sheets



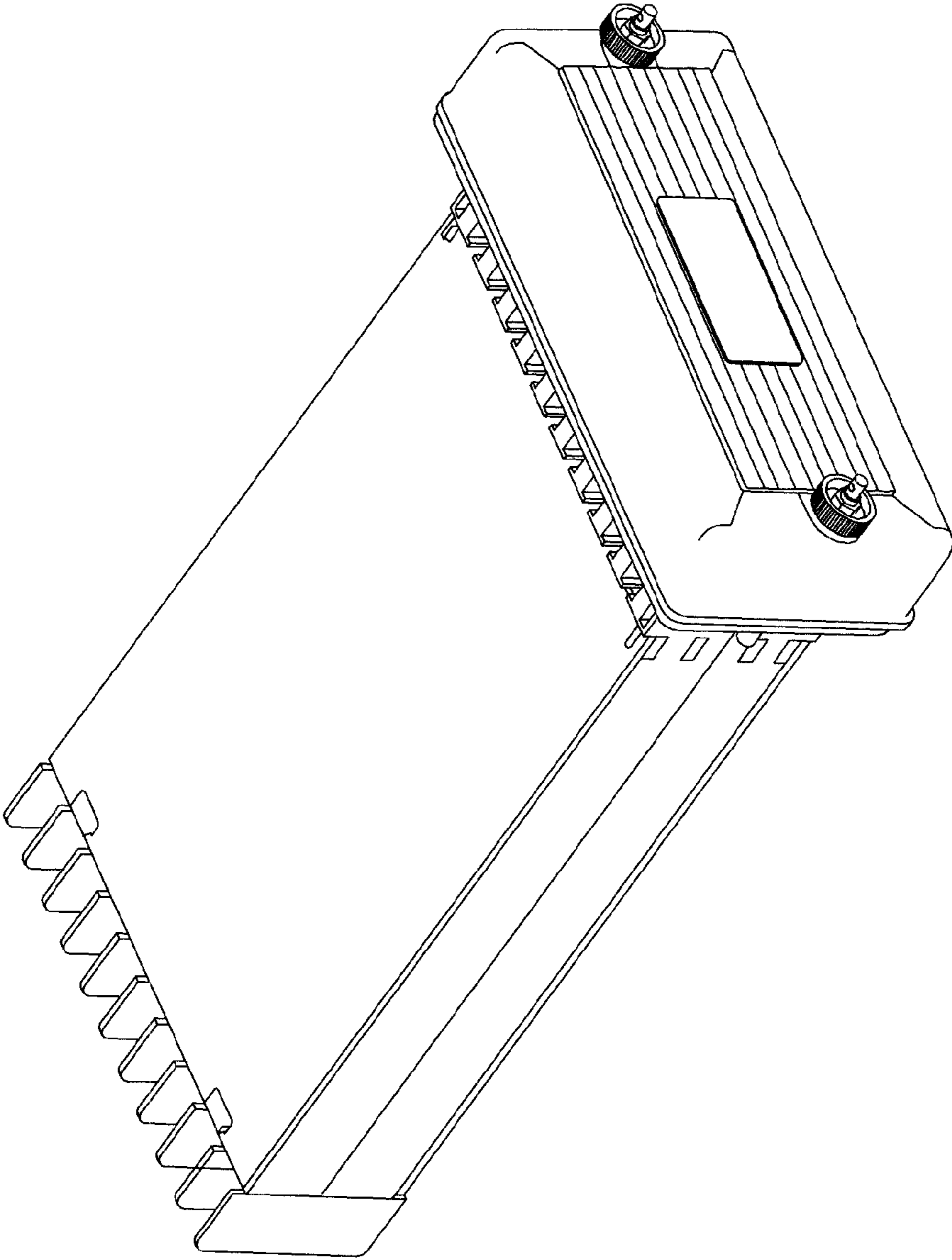


FIG.-1

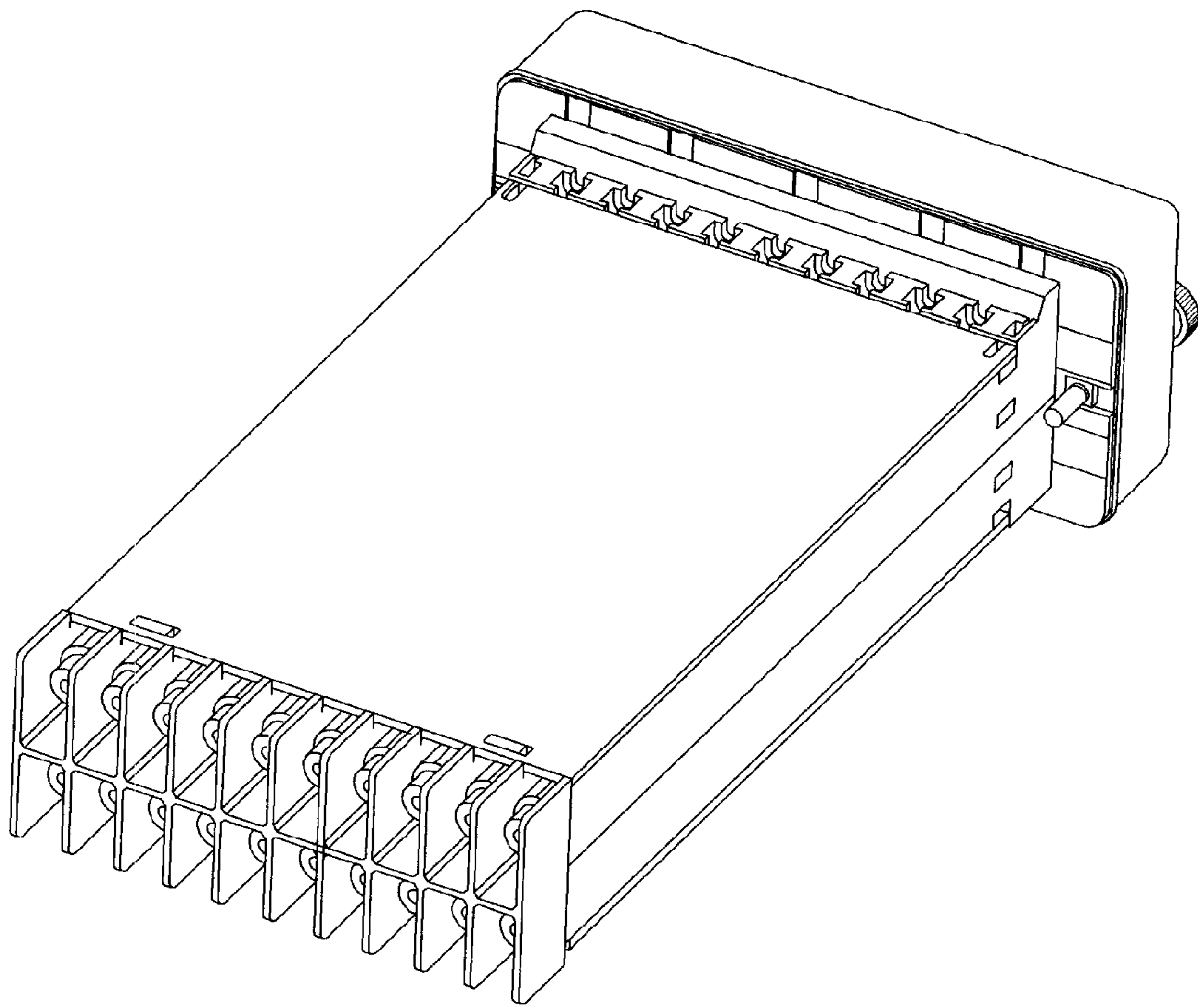


FIG.-2

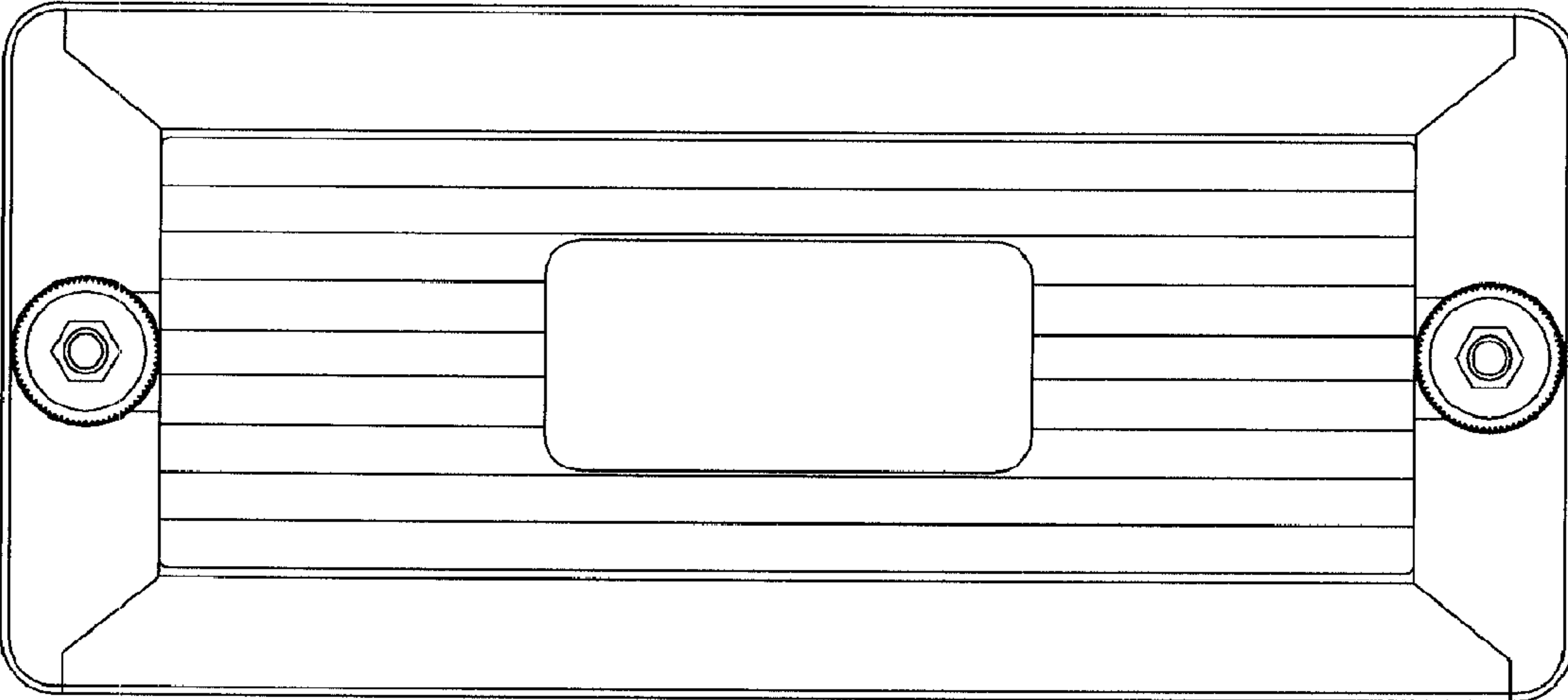


FIG.-3

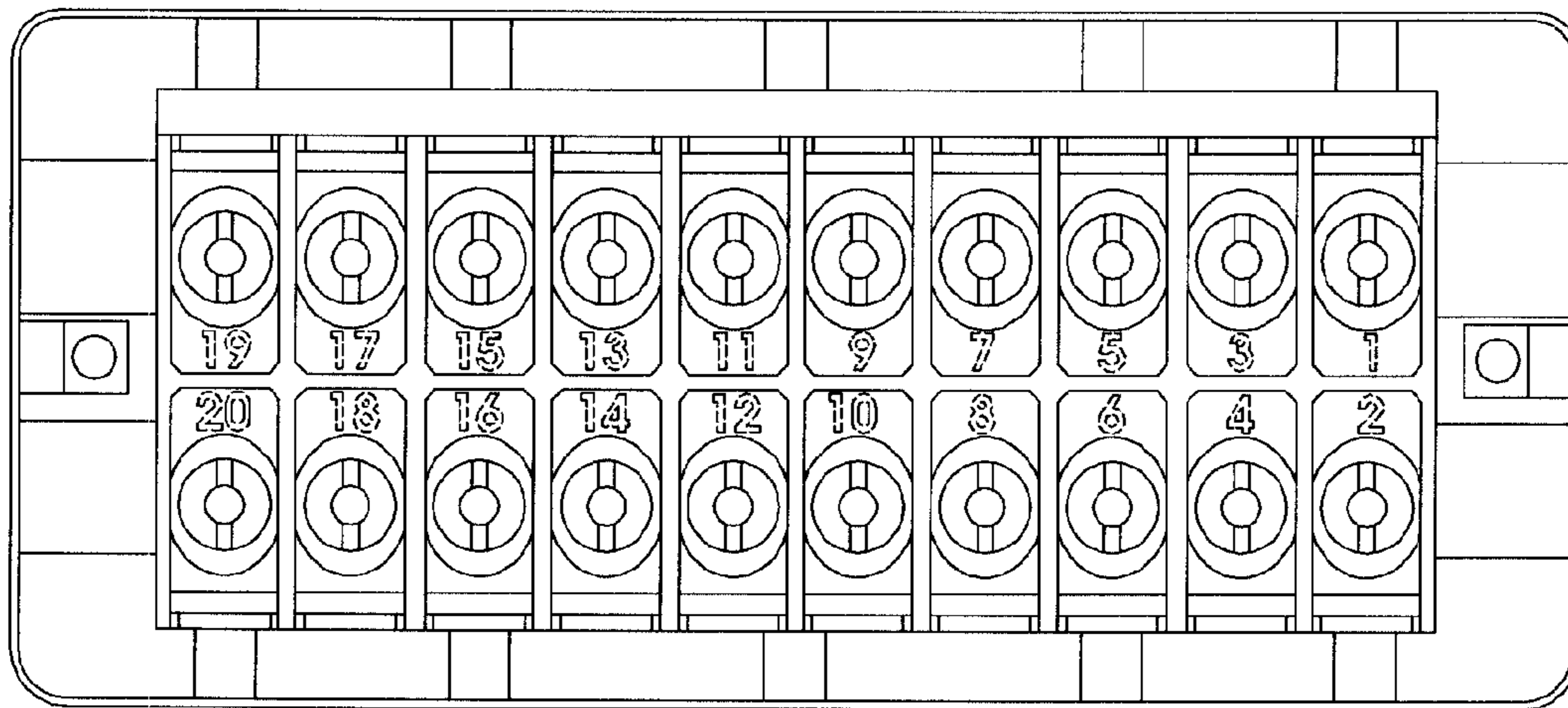


FIG.-4

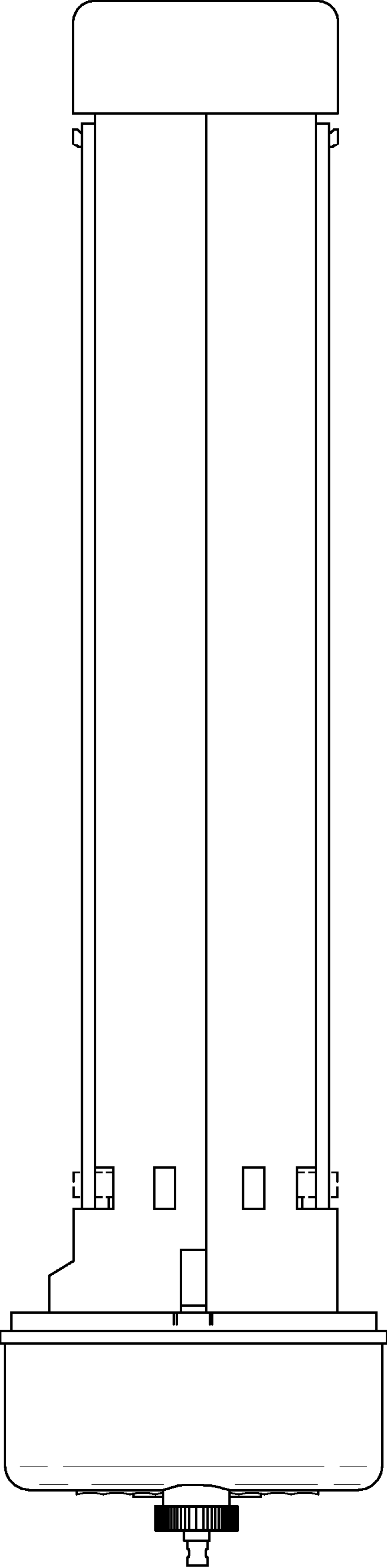


FIG.-5

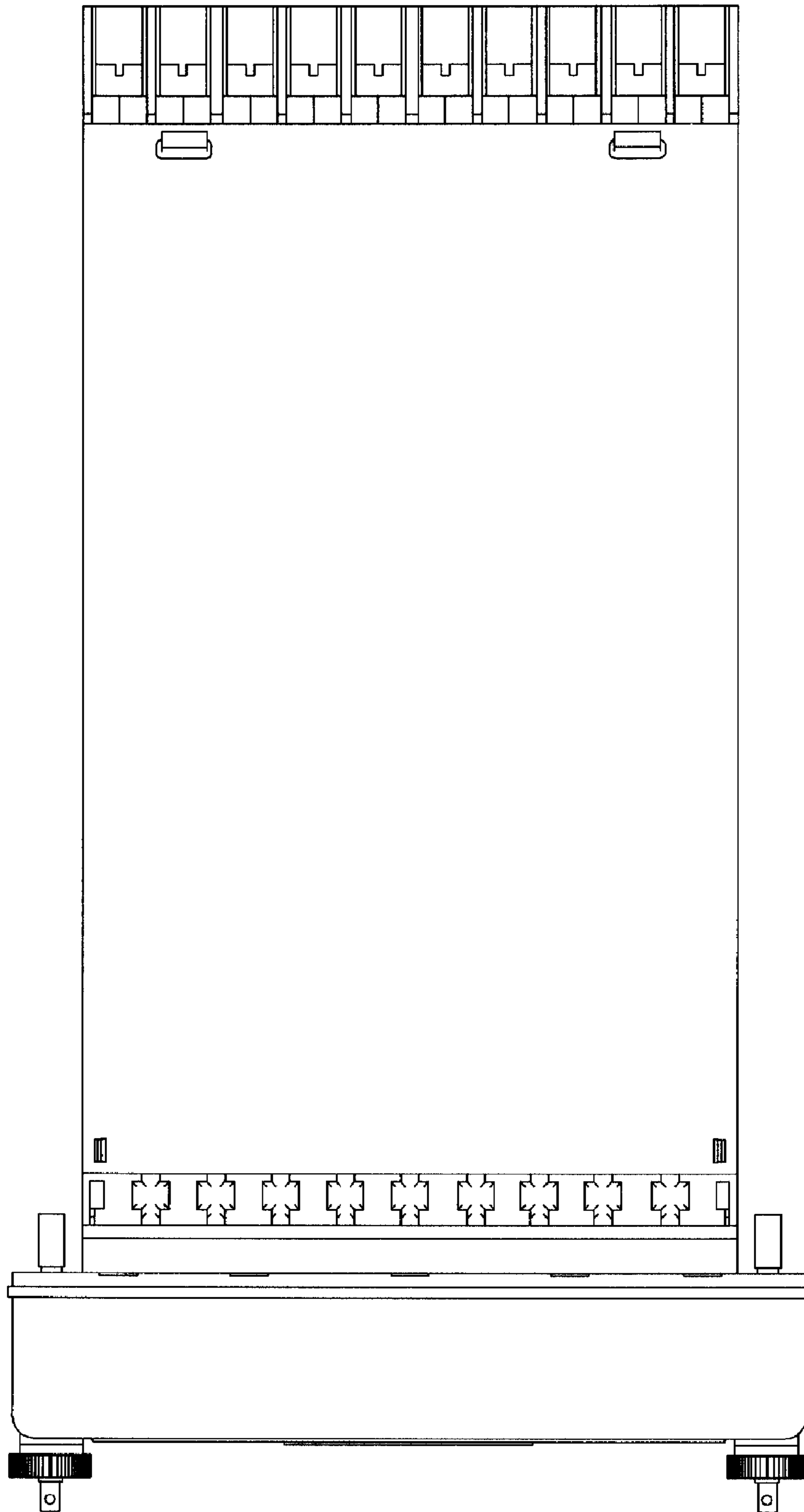


FIG.-6

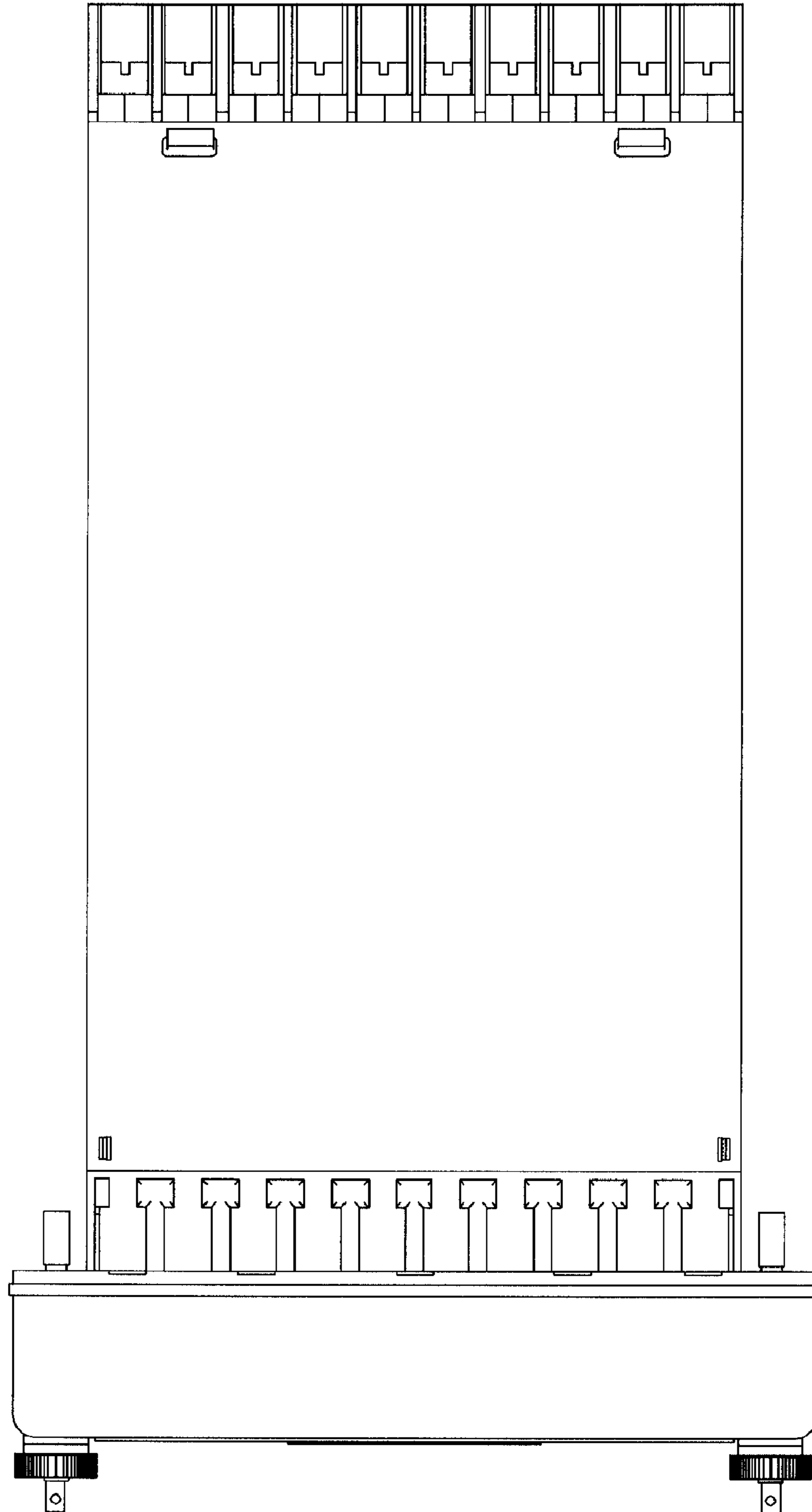


FIG.-7