



US00D593960S

(12) **United States Design Patent**
Boss et al.

(10) **Patent No.:** **US D593,960 S**
(45) **Date of Patent:** **** Jun. 9, 2009**

(54) **POWER CONTROLLER**

(75) Inventors: **Roland Boss**, Walzbachtal-Jöhlingen (DE); **Wolfgang Alfred Hamm**, Bretten (DE); **Günther Reimold**, Oberderdingen (DE)

(73) Assignee: **E.G.O. Elektro-Geraetebau GmbH**, Oberderdingen (DE)

(**) Term: **14 Years**

(21) Appl. No.: **29/305,635**

(22) Filed: **Mar. 25, 2008**

(51) **LOC (9) Cl.** **13-03**

(52) **U.S. Cl.** **D13/158**

(58) **Field of Classification Search** D13/158, D13/162, 168, 169, 174, 184, 199; 174/50, 174/52.1, 58; 340/825.22, 825.24; 361/622, 361/627, 679, 680, 681; 700/17
See application file for complete search history.

(56) **References Cited**

U.S. PATENT DOCUMENTS

D249,653 S	9/1978	McElroy et al.	
D308,193 S *	5/1990	Gaalswyk	D13/158
5,072,078 A *	12/1991	Rao et al.	200/11 R
D384,038 S	9/1997	Ko	
D387,331 S *	12/1997	Wong	D13/158
5,868,620 A *	2/1999	Wada et al.	463/38
D408,366 S *	4/1999	Popadiuk	D13/158
D418,819 S *	1/2000	Rao	D13/158
D420,649 S *	2/2000	Renne et al.	D13/158
D427,154 S *	6/2000	Wong	D13/158
D430,852 S *	9/2000	Miyashita	D13/158

D434,389 S *	11/2000	Omata	D13/158
D440,206 S	4/2001	Carroll et al.	
D462,666 S *	9/2002	Yamasaki et al.	D13/158
D515,038 S	2/2006	Riley	
D555,606 S	11/2007	Pape et al.	
D558,683 S	1/2008	Pape et al.	
D564,972 S	3/2008	Peterson	

FOREIGN PATENT DOCUMENTS

CN 200430102318.8 10/2004

* cited by examiner

Primary Examiner—Daniel D Bui

Assistant Examiner—Thomas J Johannes

(74) *Attorney, Agent, or Firm*—Alston & Bird LLP

(57) **CLAIM**

The ornamental design for a power controller, as shown and described.

DESCRIPTION

FIG. 1 is a front perspective view of a power controller showing our new design;

FIG. 2 is a front elevational view thereof;

FIG. 3 is a left side elevational view thereof;

FIG. 4 is a rear elevational view thereof;

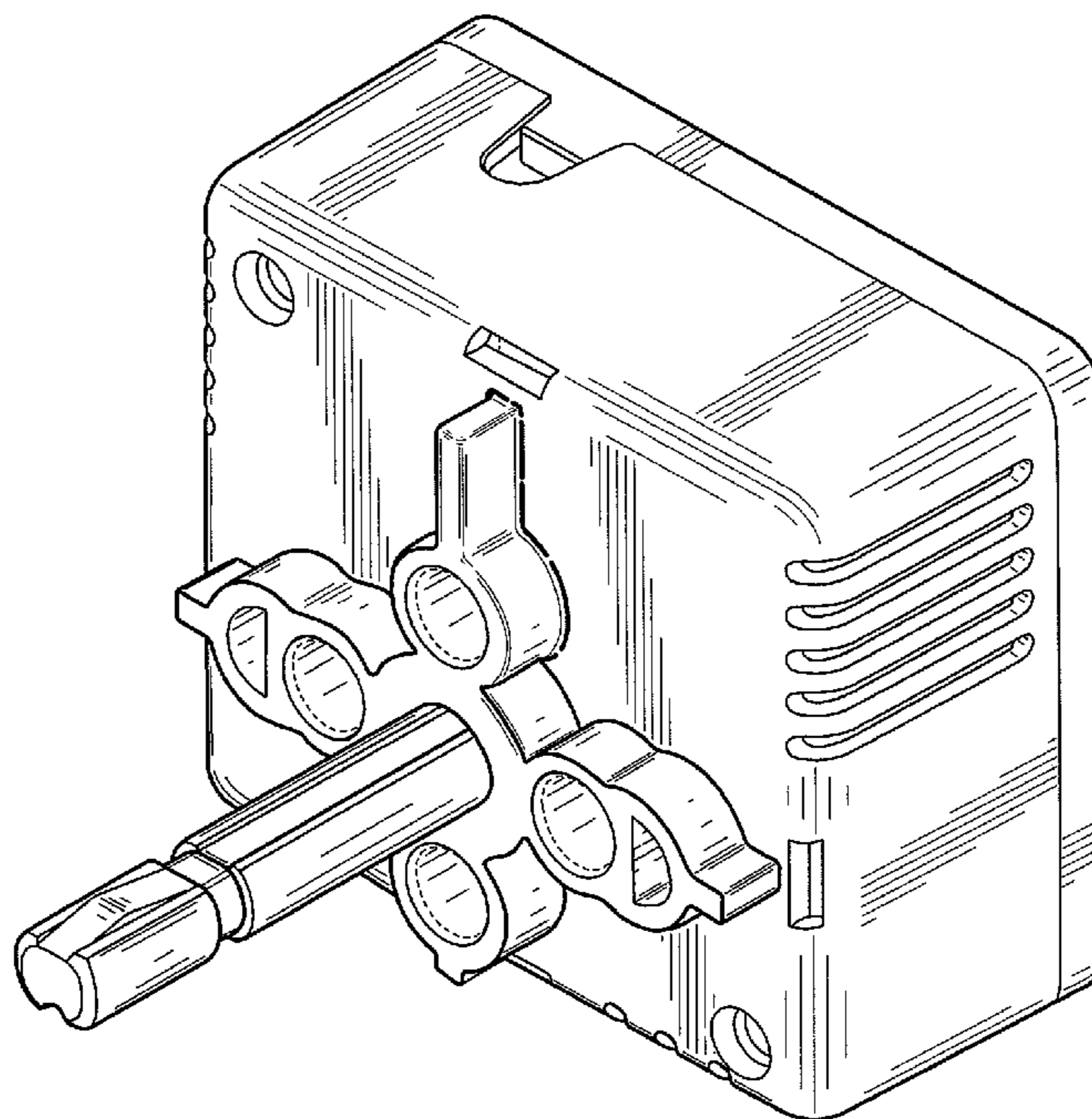
FIG. 5 is a top plan view thereof;

FIG. 6 is a right side elevational view thereof; and,

FIG. 7 is a bottom plan view thereof.

The broken line showing in the figure drawings is included to show unclaimed subject matter in FIGS. 1, 2 and 4 and forms no part of the claimed design.

1 Claim, 7 Drawing Sheets



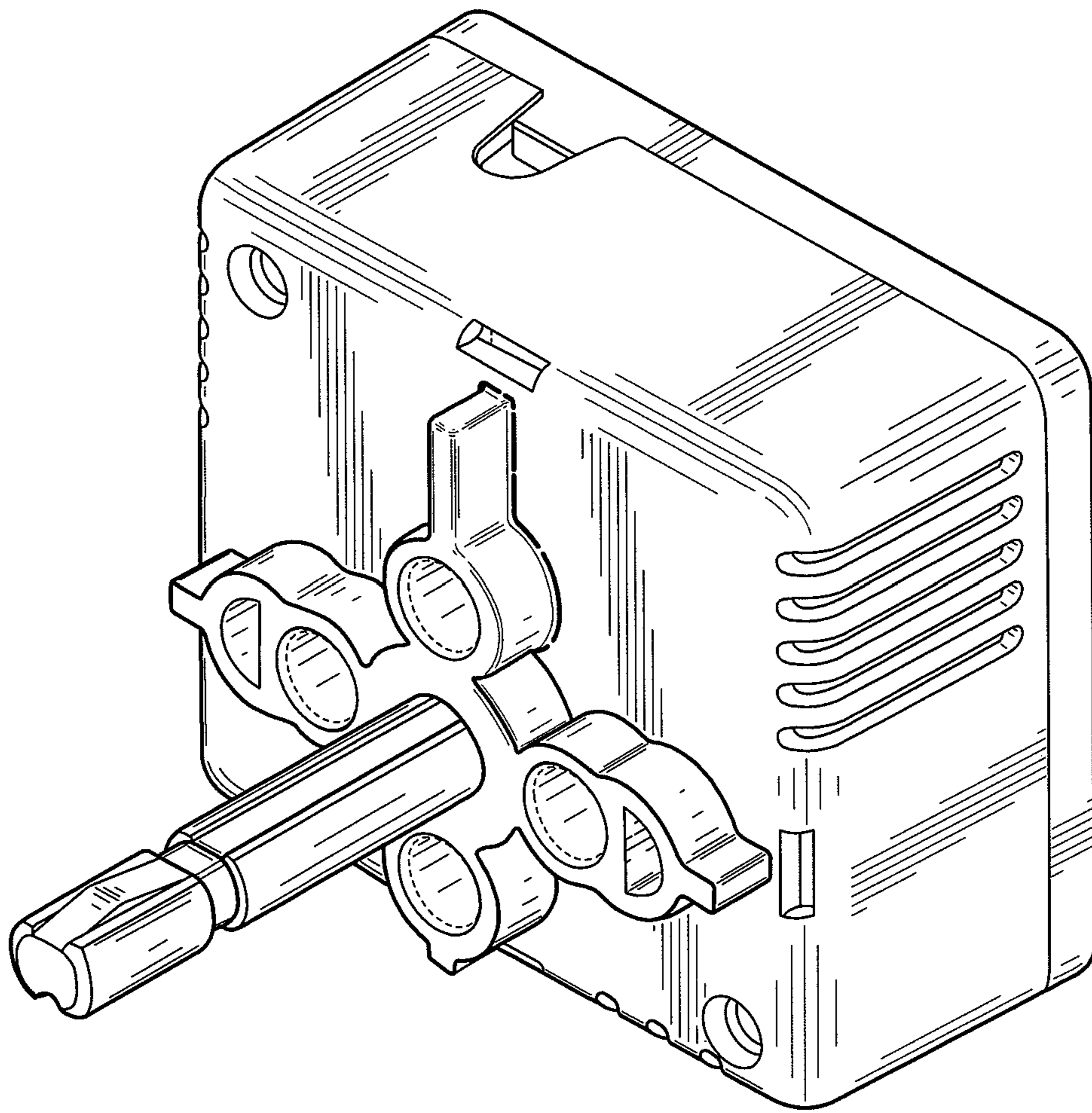


FIG. 1

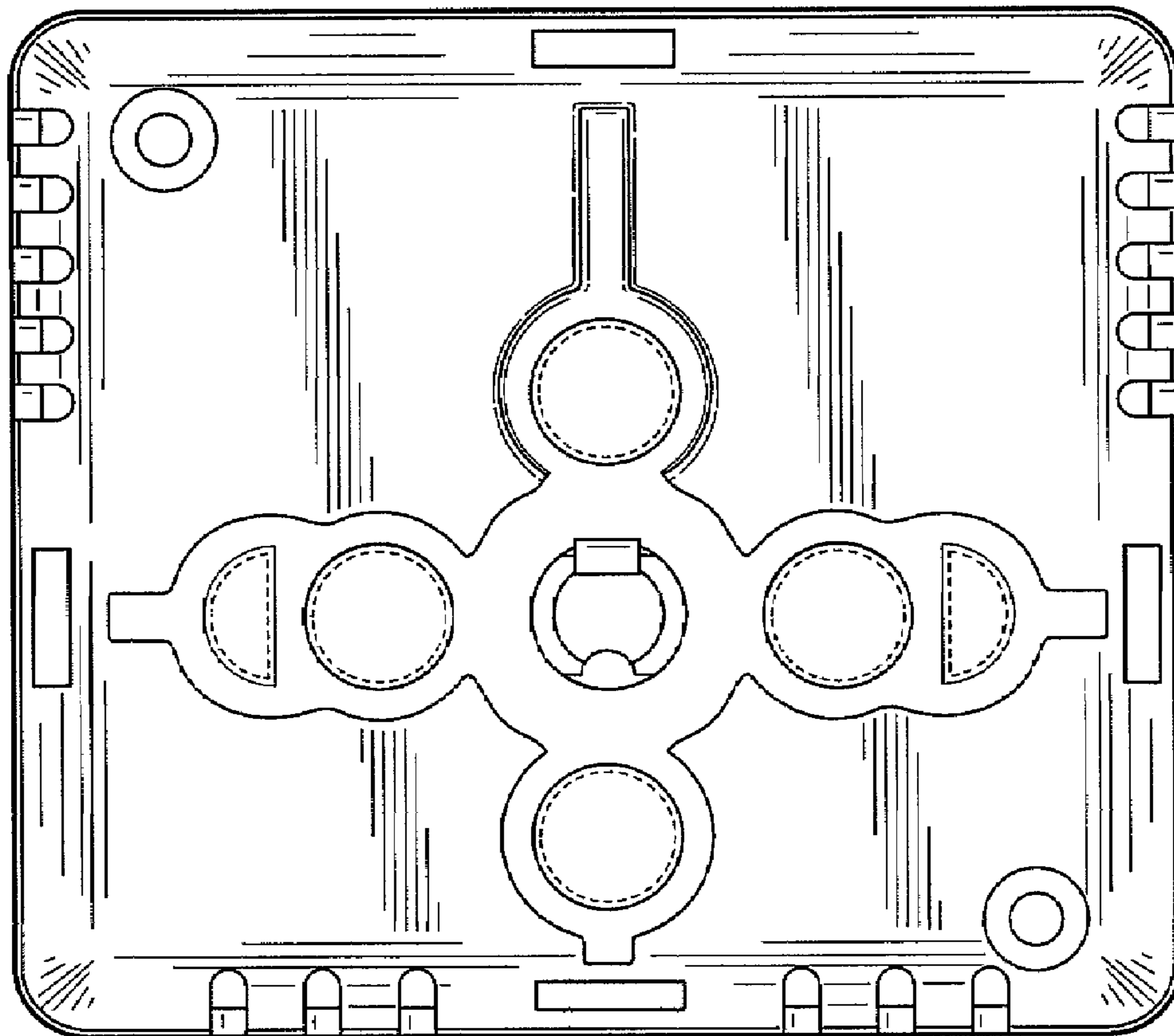


FIG. 2

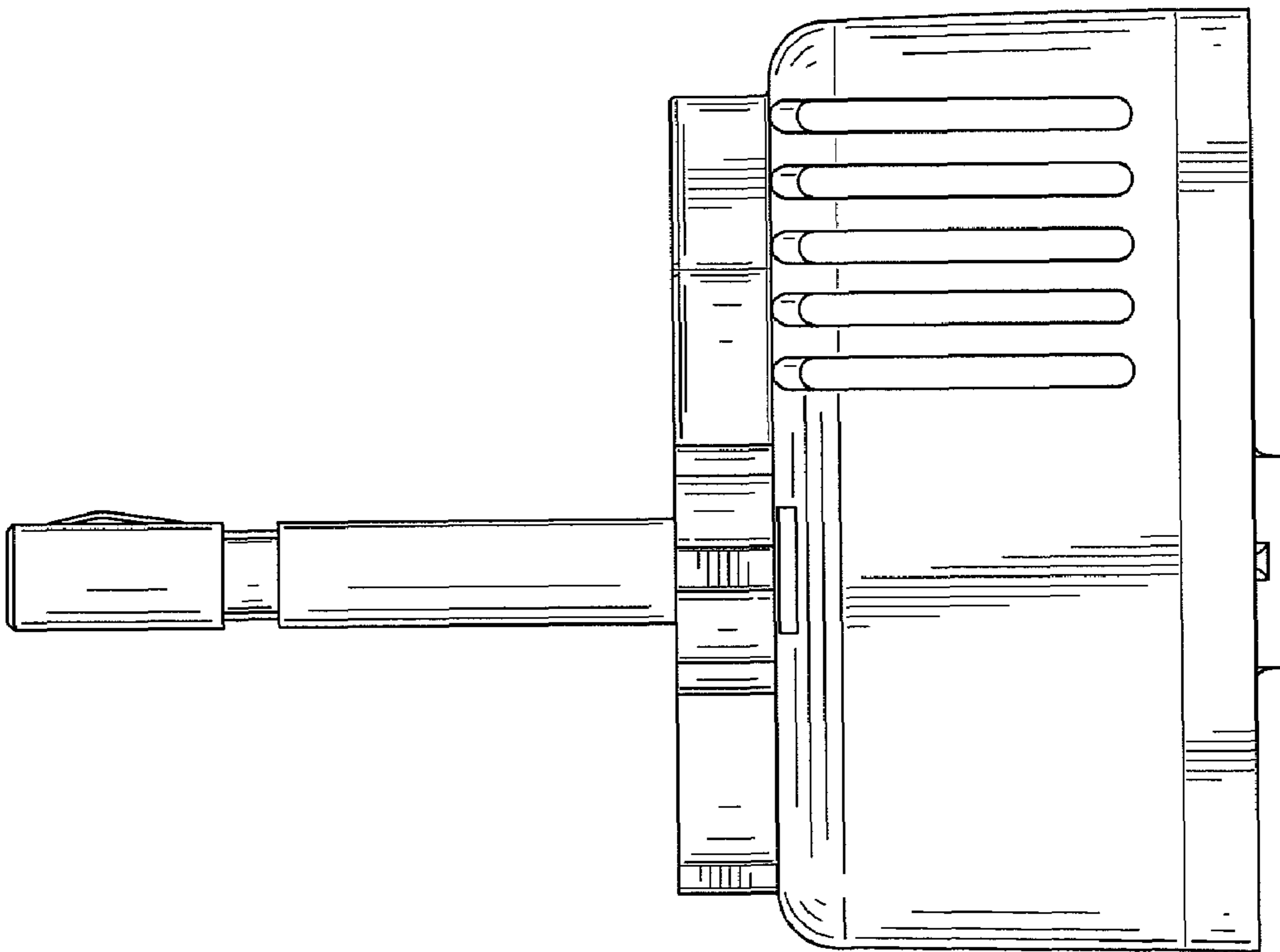


FIG. 3

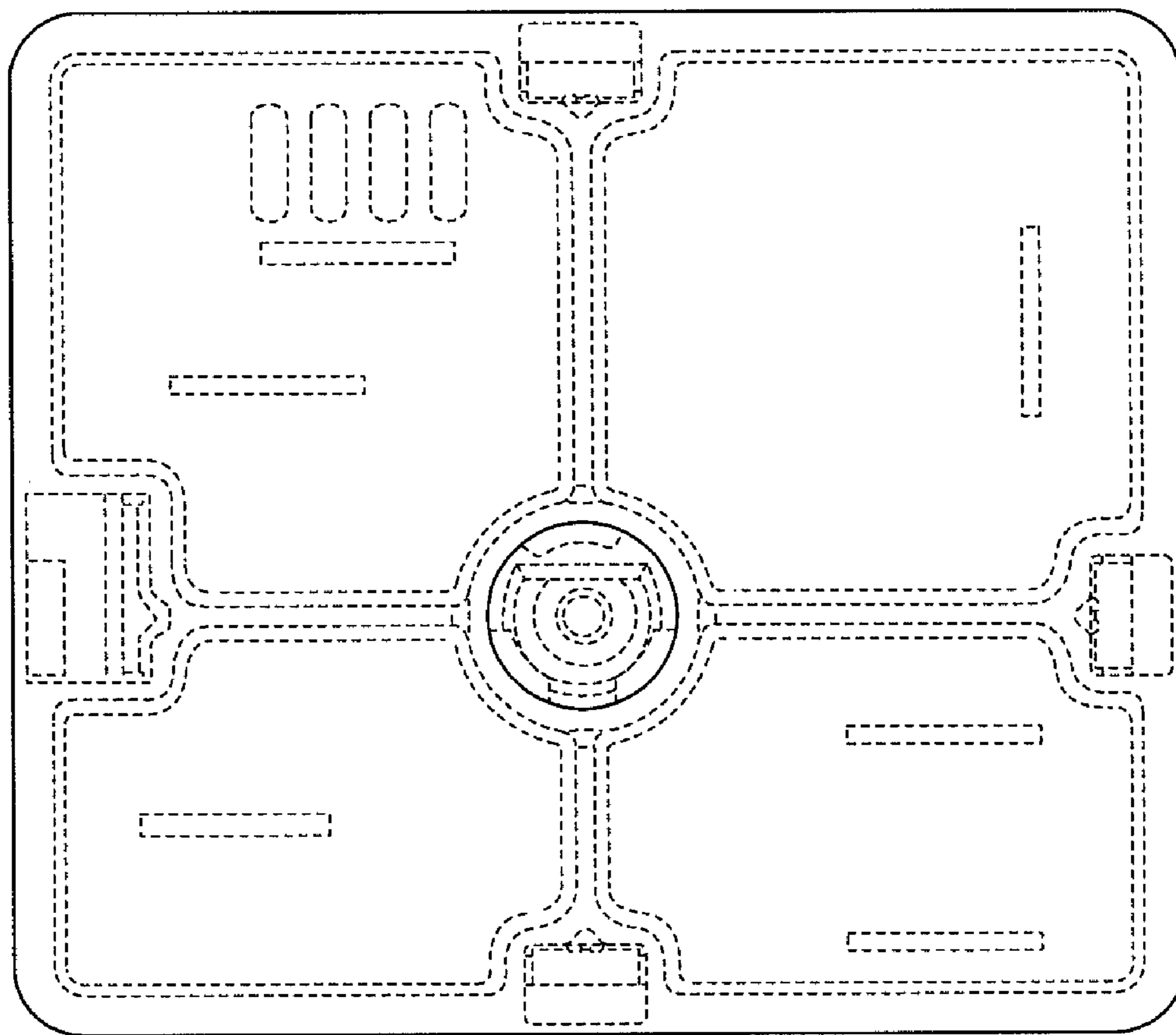


FIG. 4

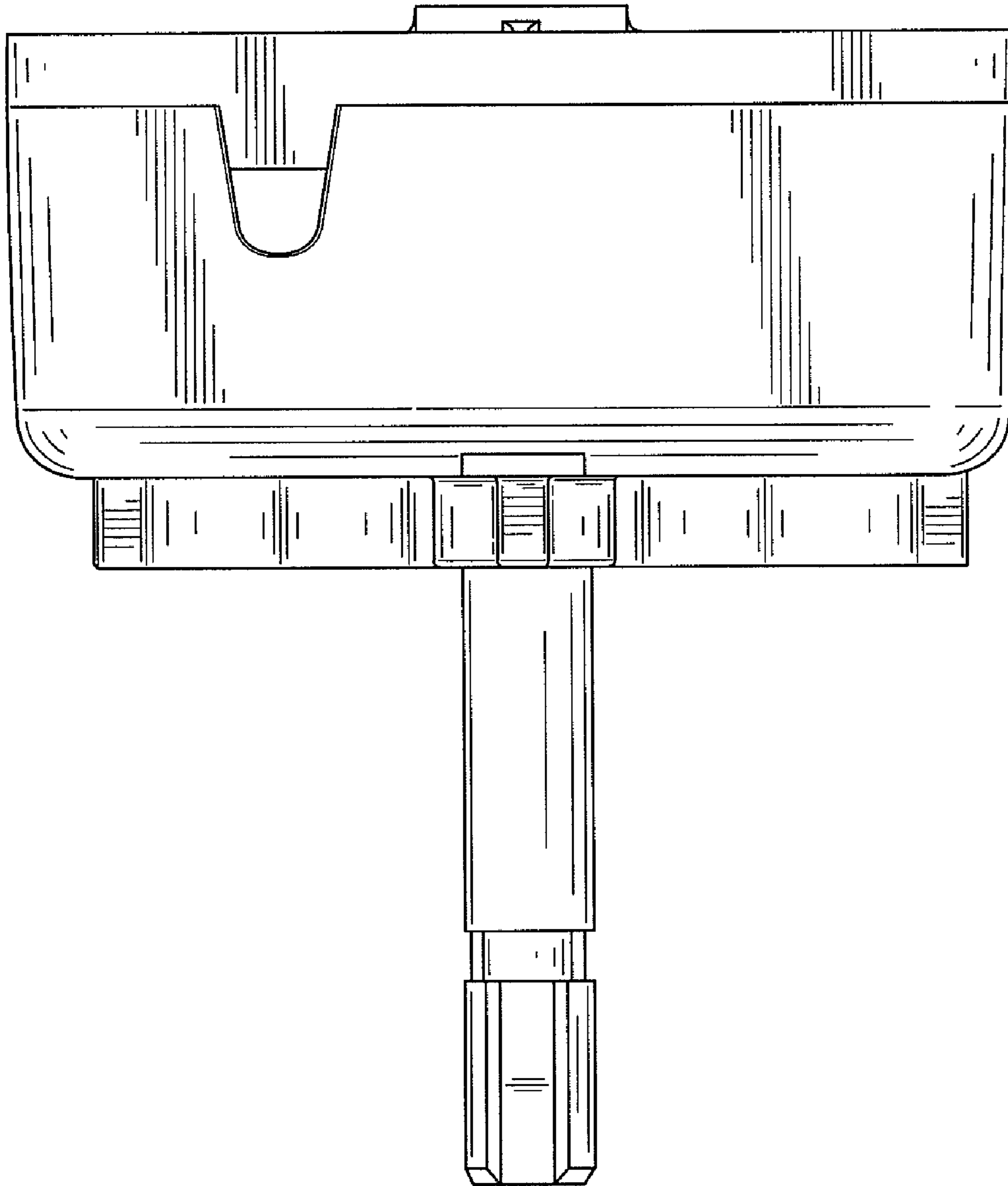


FIG. 5

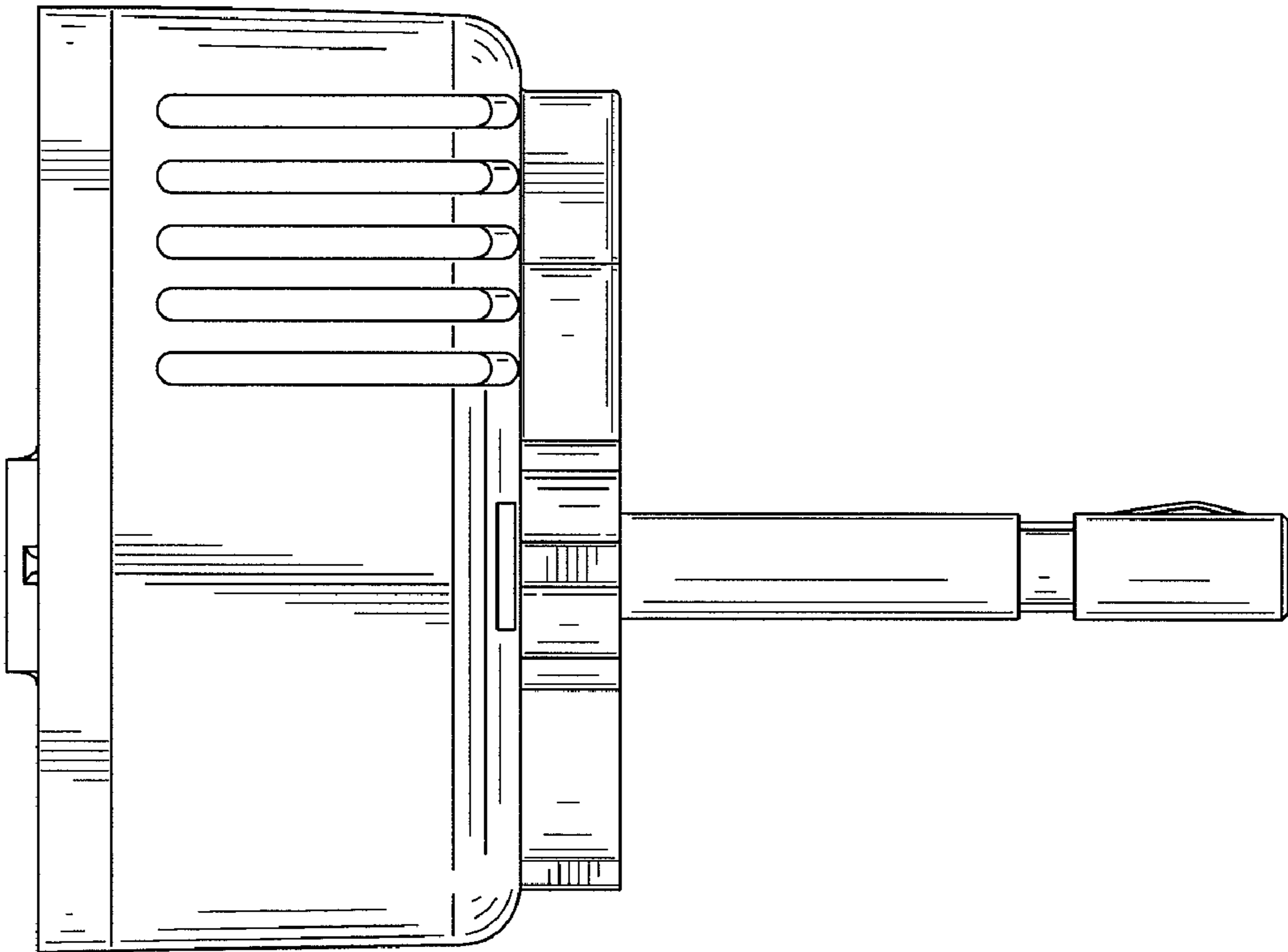


FIG. 6

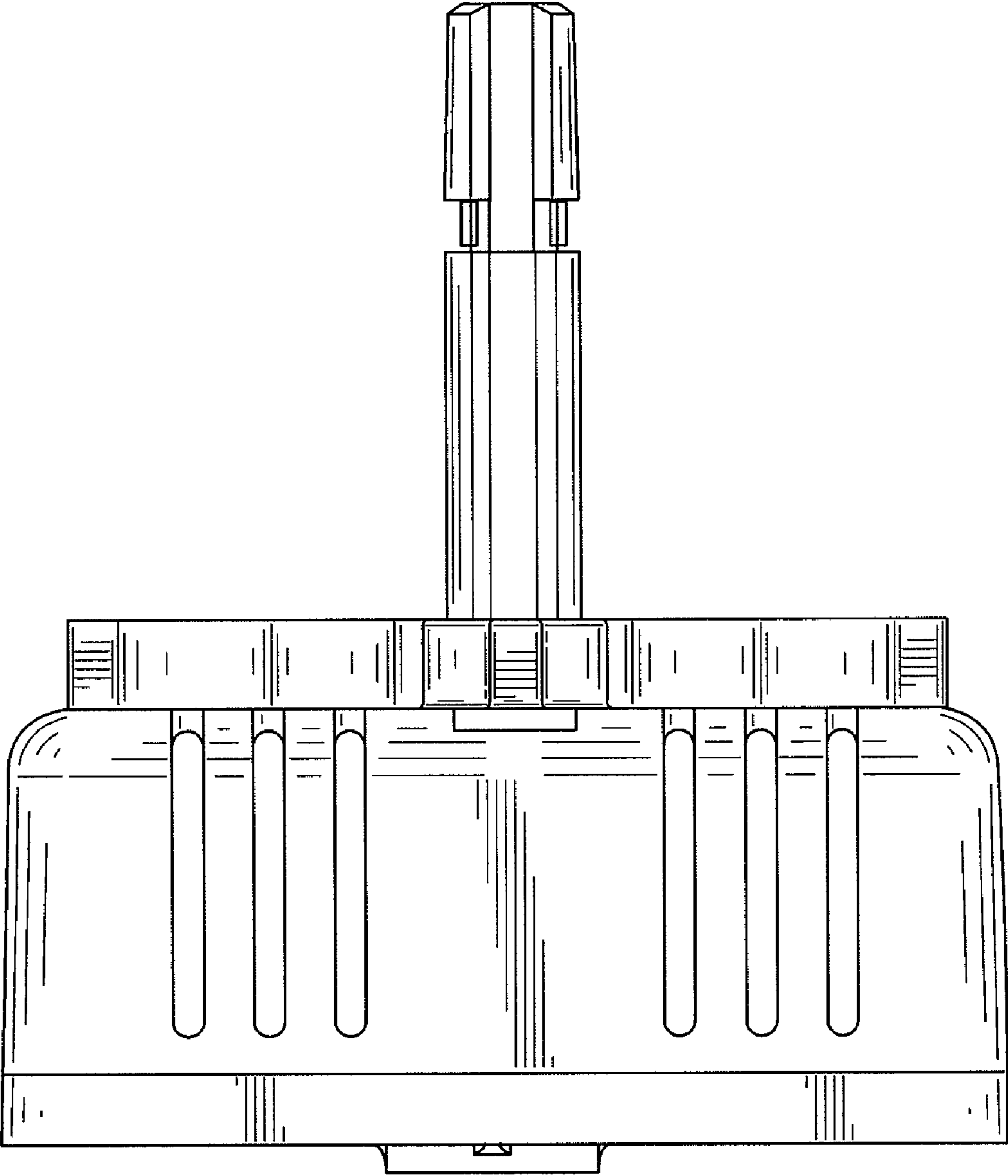


FIG. 7