



US00D593959S

(12) **United States Design Patent**
Victor

(10) **Patent No.:** **US D593,959 S**
(45) **Date of Patent:** **** Jun. 9, 2009**

(54) **CABLE CONNECTOR**

(76) Inventor: **Jay Victor**, 2017 Bataan Rd., Unit A,
Redondo Beach, CA (US) 90278

(**) Term: **14 Years**

(21) Appl. No.: **29/325,496**

(22) Filed: **Oct. 1, 2008**

(51) **LOC (9) Cl.** **13-03**

(52) **U.S. Cl.** **D13/156**

(58) **Field of Classification Search** D13/133,
D13/138.1, 154, 156, 184; 439/447, 483,
439/586, 578, 606-610, 668-669, 675-676,
439/889, 892

See application file for complete search history.

(56) **References Cited**

U.S. PATENT DOCUMENTS

D567,184 S *	4/2008	Victor	D13/156
D582,353 S *	12/2008	Victor	D13/156
D584,238 S *	1/2009	Victor	D13/156
D586,758 S *	2/2009	Victor	D13/156

* cited by examiner

Primary Examiner—Brian N Vinson
(74) *Attorney, Agent, or Firm*—Trojan Law Offices

(57) **CLAIM**

The ornamental design for a cable connector, as shown and described.

DESCRIPTION

FIG. 1 is a top perspective view of a cable connector, showing my new design;

FIG. 2 is a top view of the cable connector shown in FIG. 1; a bottom view of the cable connector shown in FIG. 1 is a mirror image of the top view shown;

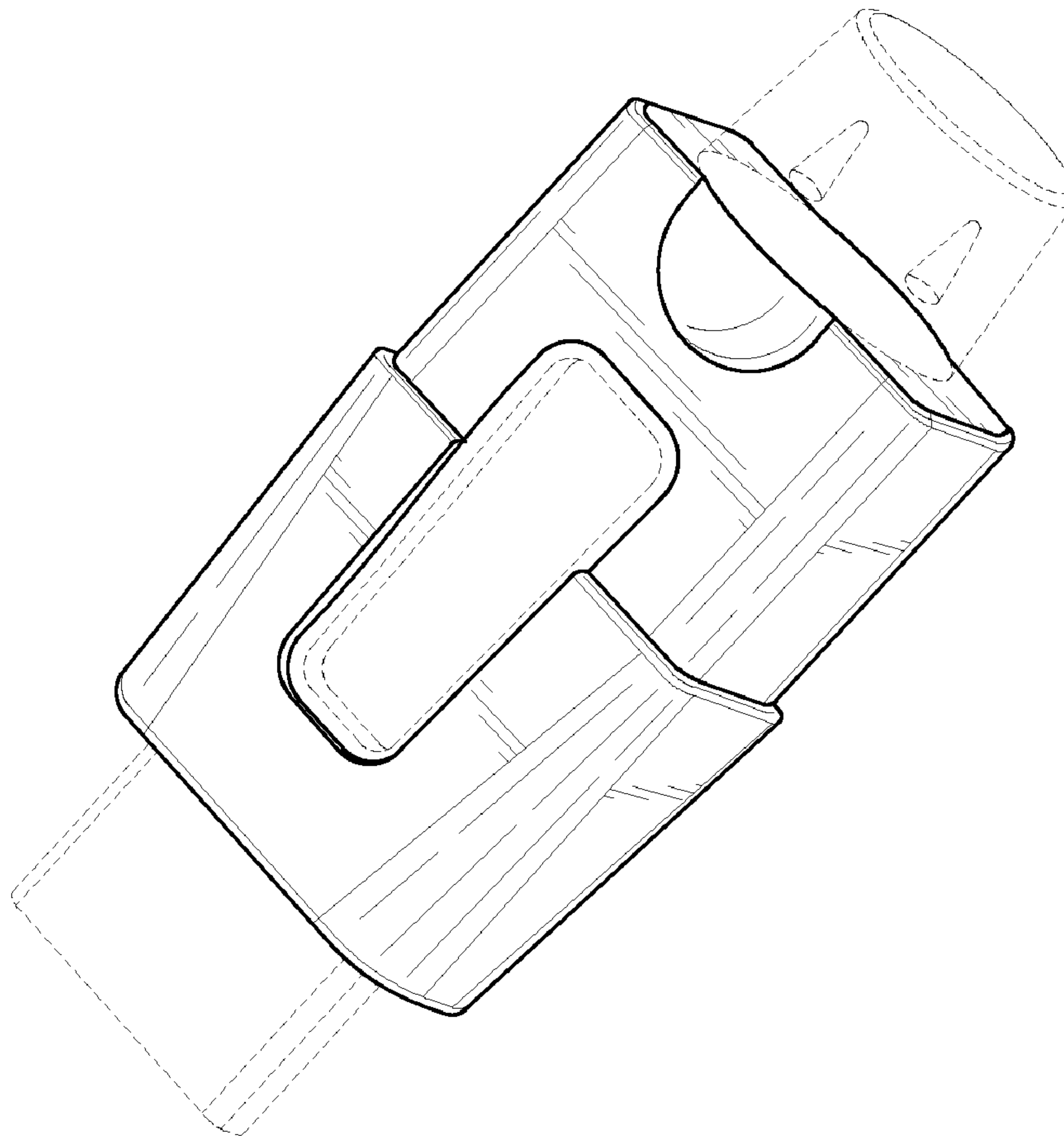
FIG. 3 is a front view of the cable connector shown in FIG. 1;

FIG. 4 is a side view of the cable connector shown in FIG. 1; the opposite side of the view shown in FIG. 4 is a mirror image of the side view shown; and,

FIG. 5 is a rear view of the cable connector shown in FIG. 1.

The broken lines showing a plug pin in FIGS. 1 through 4 and a cable cord in FIGS. 1, 2, 4, and 5 are for illustrative purposes only and form no part of the claimed design.

1 Claim, 2 Drawing Sheets



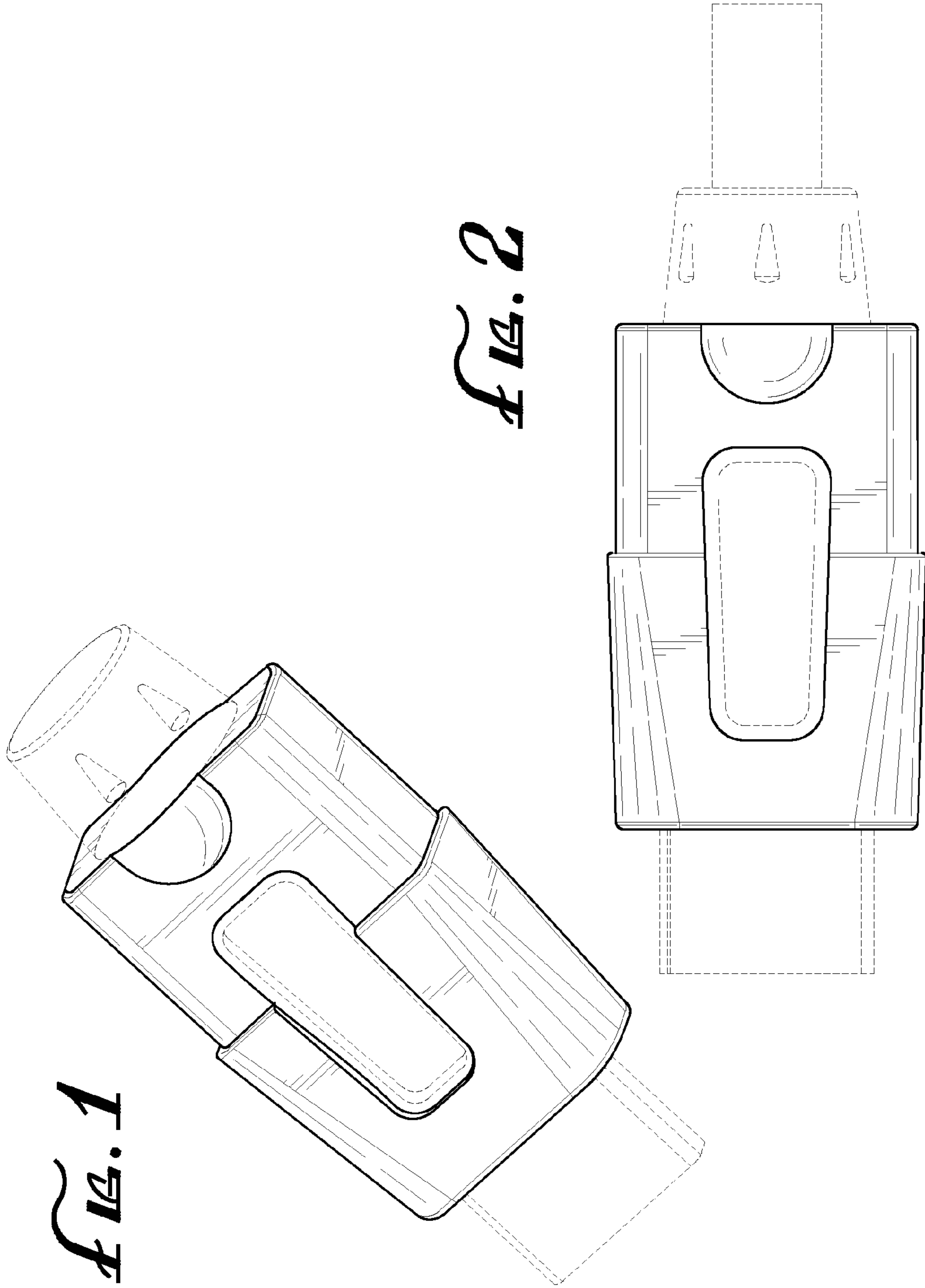


FIG. 1

FIG. 2

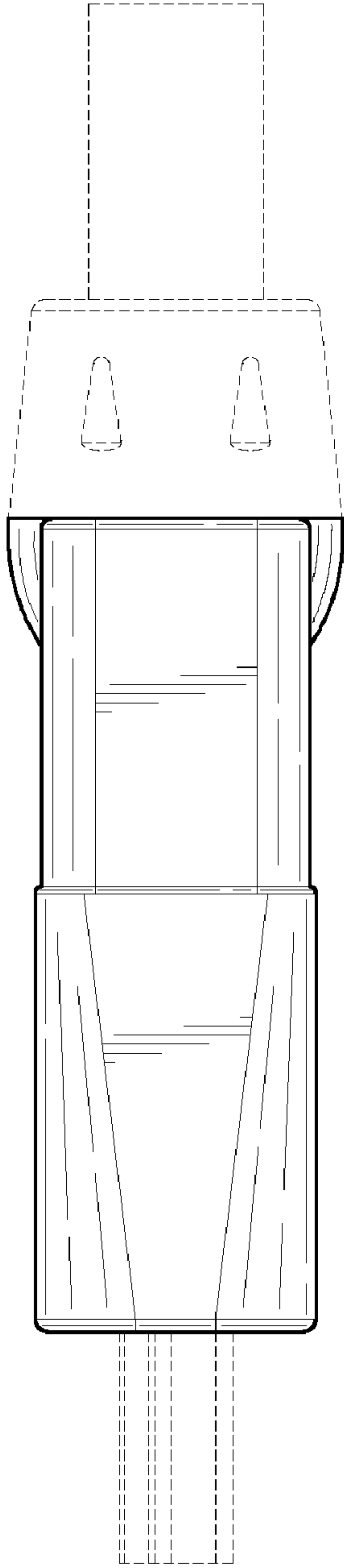


Fig. 4

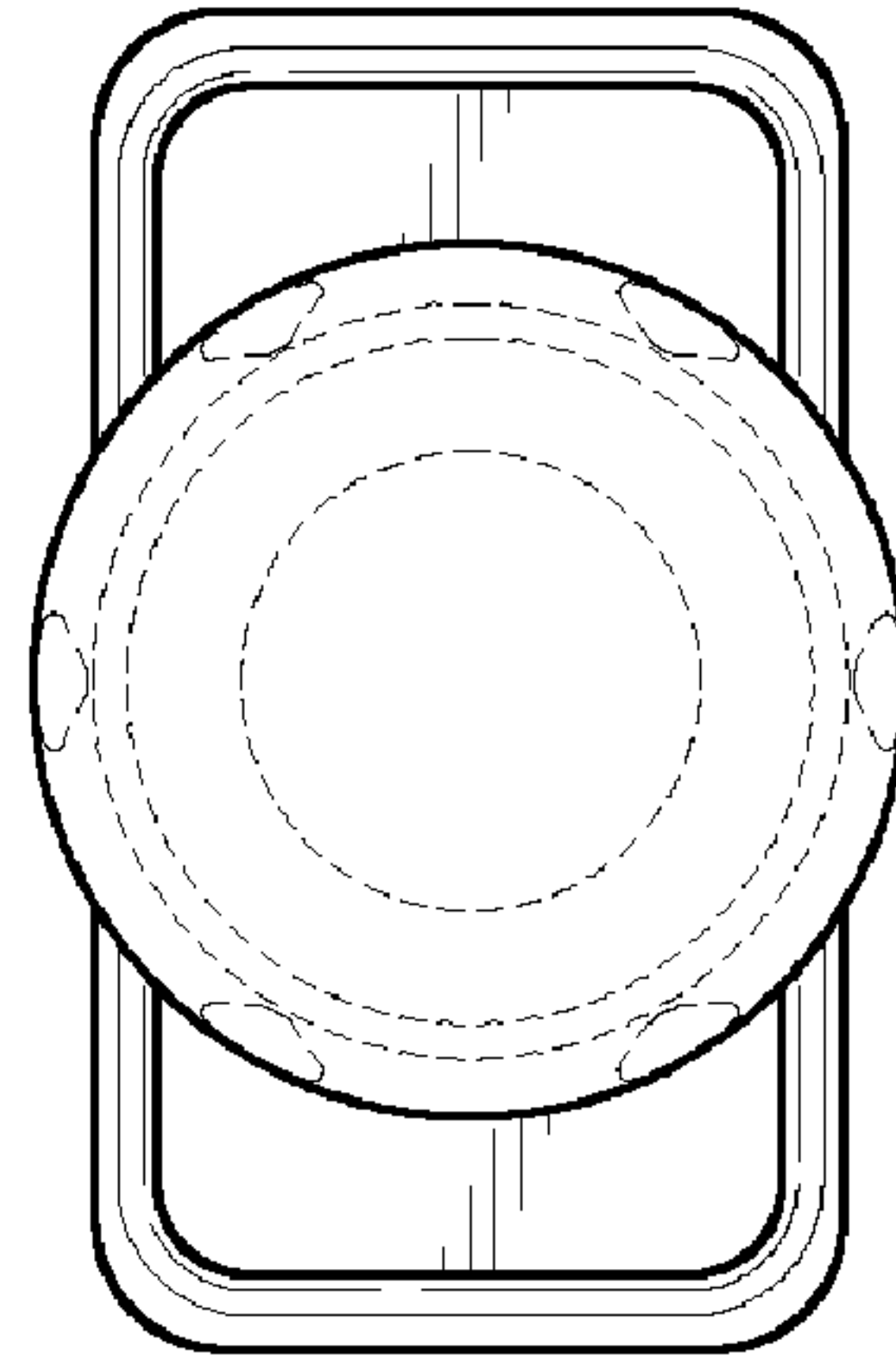


Fig. 5

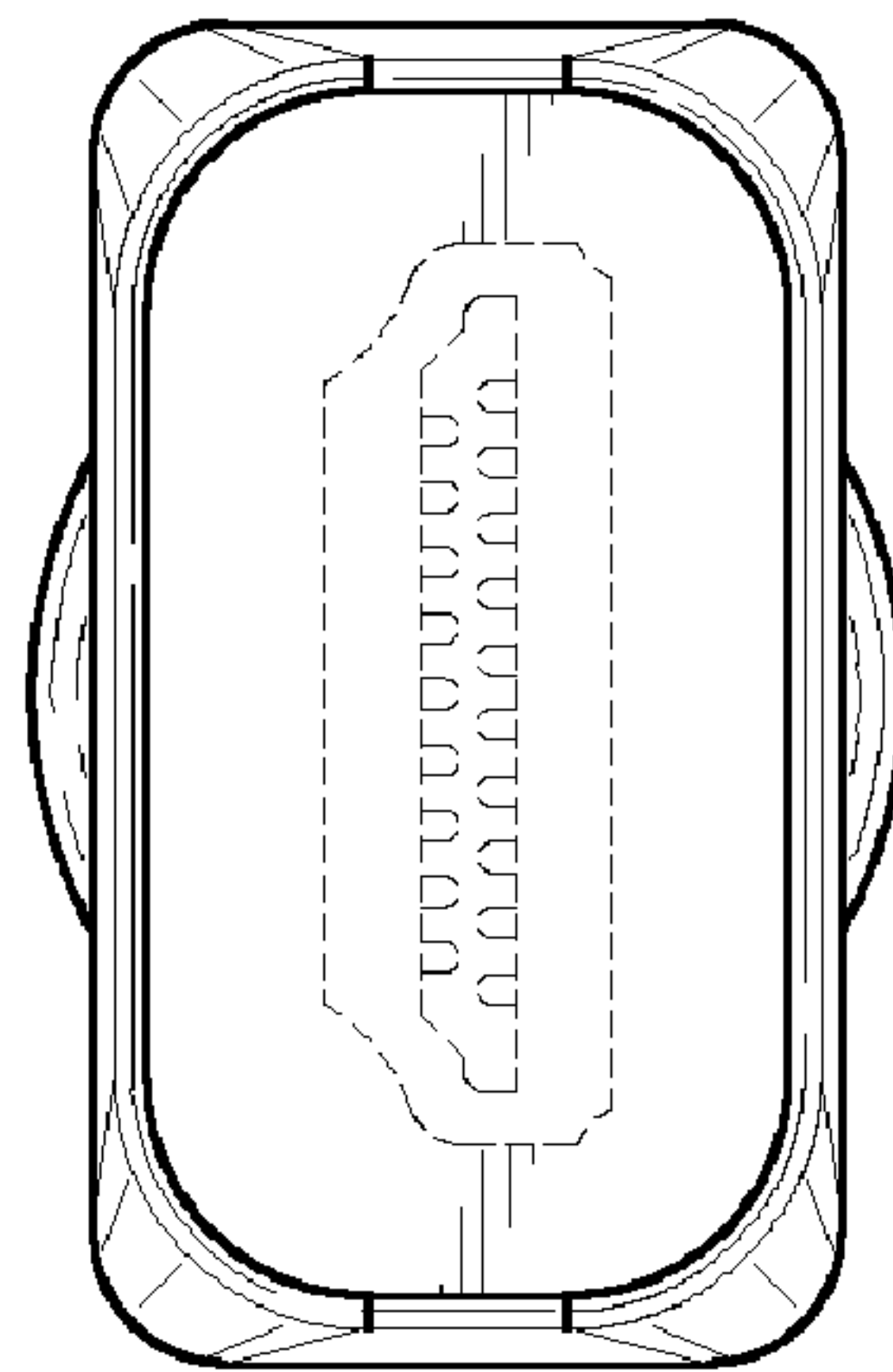


Fig. 6