



US00D593957S

(12) **United States Design Patent**
Sweeney et al.

(10) **Patent No.:** **US D593,957 S**
(45) **Date of Patent:** **** Jun. 9, 2009**

(54) **LAY-IN ELECTRICAL CONNECTOR**

(75) Inventors: **Thomas M. Sweeney**, Cincinnati, OH (US); **Carl J. Taylor**, Cincinnati, OH (US)

(73) Assignee: **IlSCO Corporation**, Cincinnati, OH (US)

(**) Term: **14 Years**

(21) Appl. No.: **29/333,239**

(22) Filed: **Mar. 5, 2009**

Related U.S. Application Data

(62) Division of application No. 29/318,094, filed on May 13, 2008.

(51) **LOC (9) Cl.** **13-03**

(52) **U.S. Cl.** **D13/155**

(58) **Field of Classification Search** D13/146-149, D13/151-155, 184; 439/412-413, 521, 709, 439/810-811, 814, 724, 798; 174/145
See application file for complete search history.

(56) **References Cited**

U.S. PATENT DOCUMENTS

2,456,259	A *	12/1948	Dorjee	174/145
3,594,710	A *	7/1971	Stanback	439/724
4,146,290	A *	3/1979	Annas et al.	439/810
D409,576	S *	5/1999	Wood et al.	D13/154
5,957,733	A *	9/1999	Mello et al.	439/810
6,325,675	B1	12/2001	Harmeyer		
6,338,658	B1	1/2002	Sweeney		
6,664,469	B1	12/2003	Sweeney		
D536,307	S	2/2007	Rizzo et al.		

OTHER PUBLICATIONS

IlSCO Corp., Drawing No. S6345-00, Aug. 7, 2007, one page.
IlSCO Corp., Drawing No. S6325-00, Aug. 7, 2007, one page.

IlSCO Corp., Drawing No. S6305, Aug. 9, 2007, one page.
IlSCO Corp., Drawing No. S6260, Aug. 6, 2007, one page.
IlSCO Corp., Drawing No. S6200, Aug. 6, 2007, one page.
IlSCO Corp., Drawing No. M0540-22, Jan. 10, 2008, one page.
IlSCO Corp., Drawing No. M0539-22, Jan. 15, 2008, one page.
IlSCO Corp., Drawing No. M0460-22, Jan. 15, 2008, one page.
IlSCO Corp., Drawing No. M0413-22, Jan. 9, 2008, one page.
IlSCO Corp., Drawing No. M0405-22, Jan. 8, 2008, one page.
IlSCO Corp., Drawing No. G0778-22, Jul. 17, 2007, one page.
IlSCO Corp., Drawing No. G0518, Aug. 29, 2007, one page.

* cited by examiner

Primary Examiner—Brian N Vinson

(74) *Attorney, Agent, or Firm*—Wood, Herron & Evans, LLP

(57) **CLAIM**

The ornamental design for a lay-in electrical connector, as shown and described.

DESCRIPTION

FIG. 1 is a top, front, and right side perspective view of a first embodiment of a lay-in electrical connector showing our new design, the broken-line disclosure of ports and openings being for illustrative purposes only and forming no part of the claimed design, and the connector being shown broken away to indicate unclaimed length;

FIG. 2 is a top, front, and right side perspective view of a second embodiment thereof, with the connector being shown broken away to indicate unclaimed length;

FIG. 3 is a front elevational view thereof, with the rear elevational view being a mirror image of that shown;

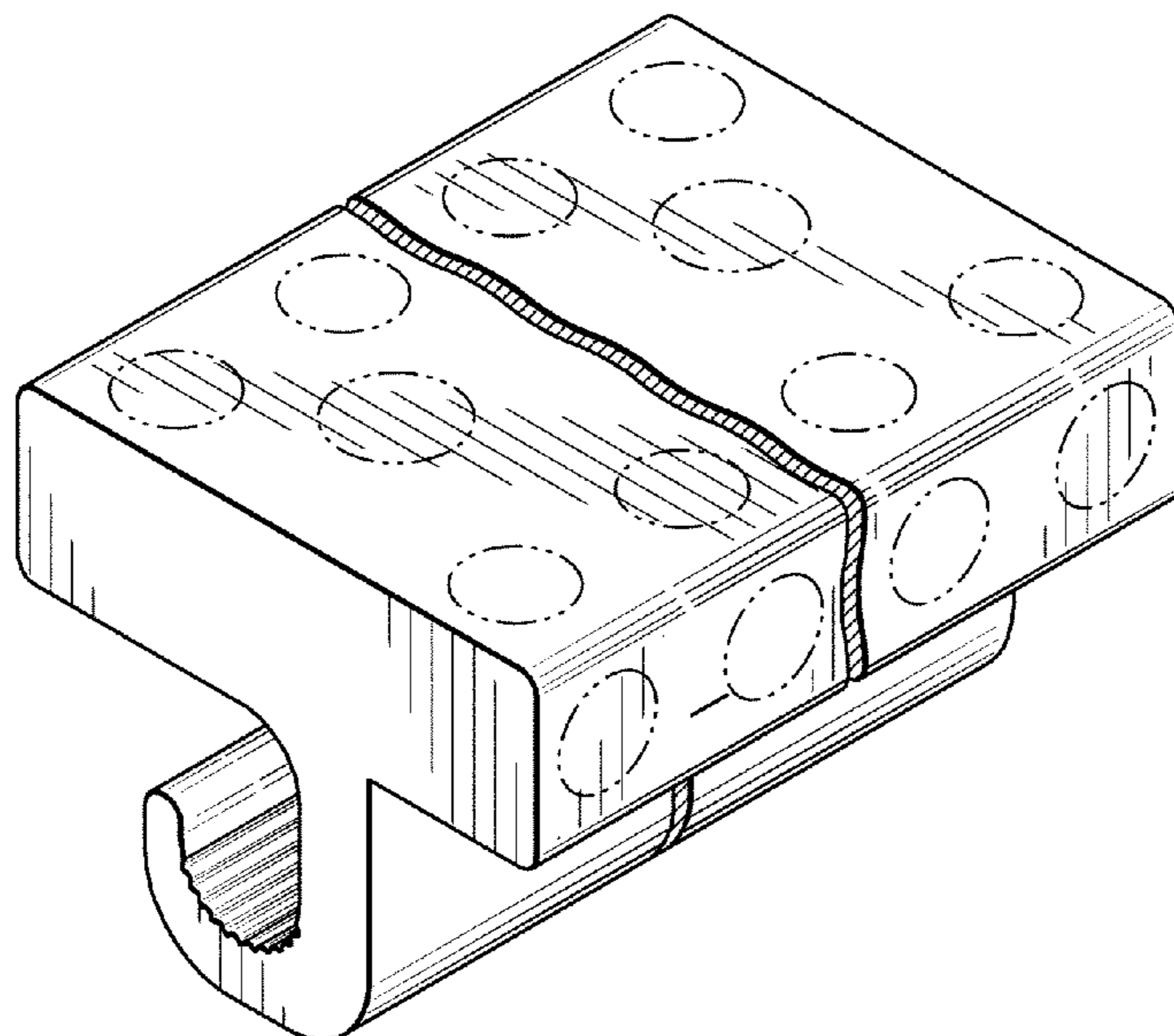
FIG. 4 is a right side elevational view thereof;

FIG. 5 is a left side elevational view thereof;

FIG. 6 is a top plan view thereof; and,

FIG. 7 is a bottom plan view thereof.

1 Claim, 2 Drawing Sheets



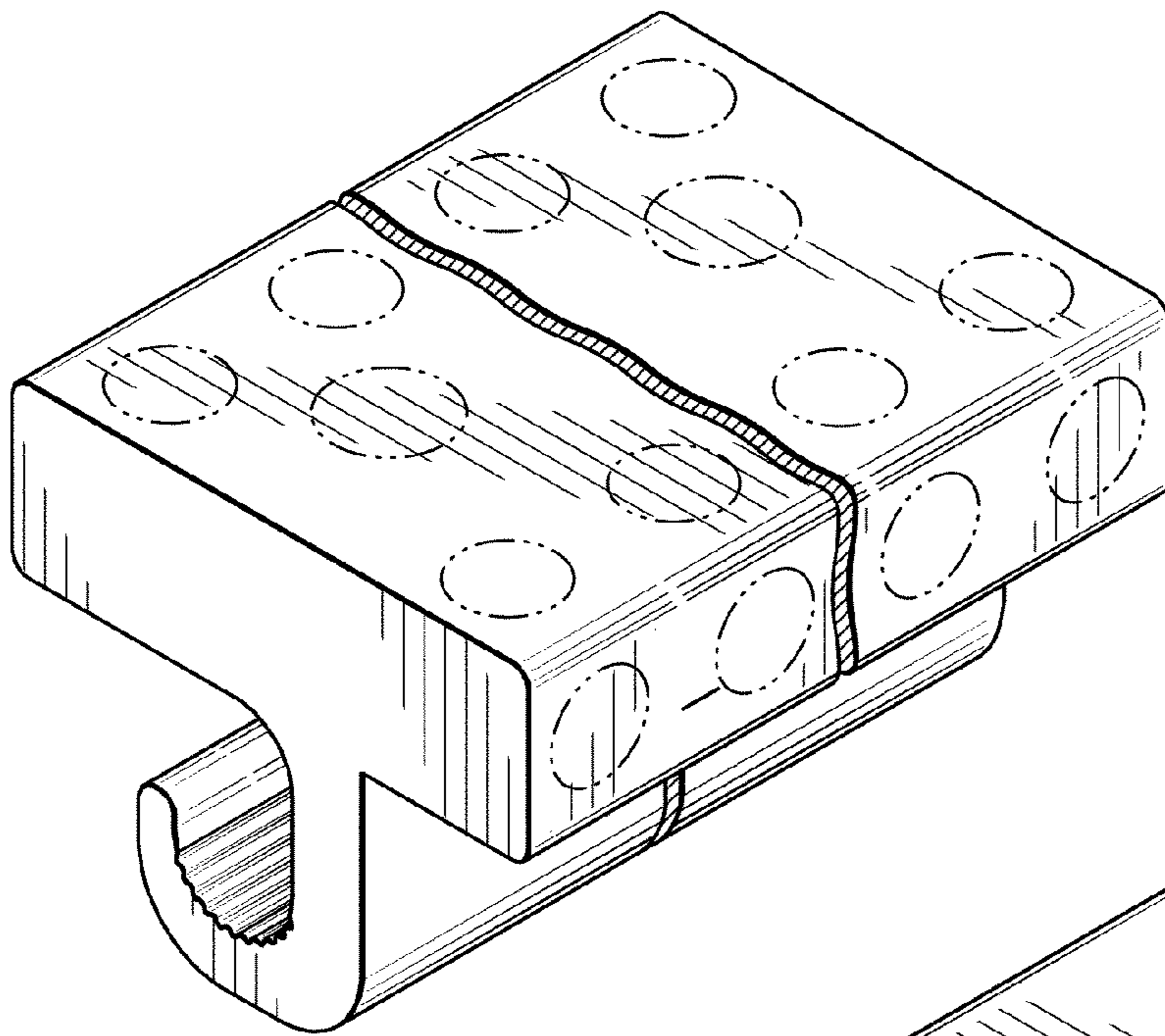


FIG. 1

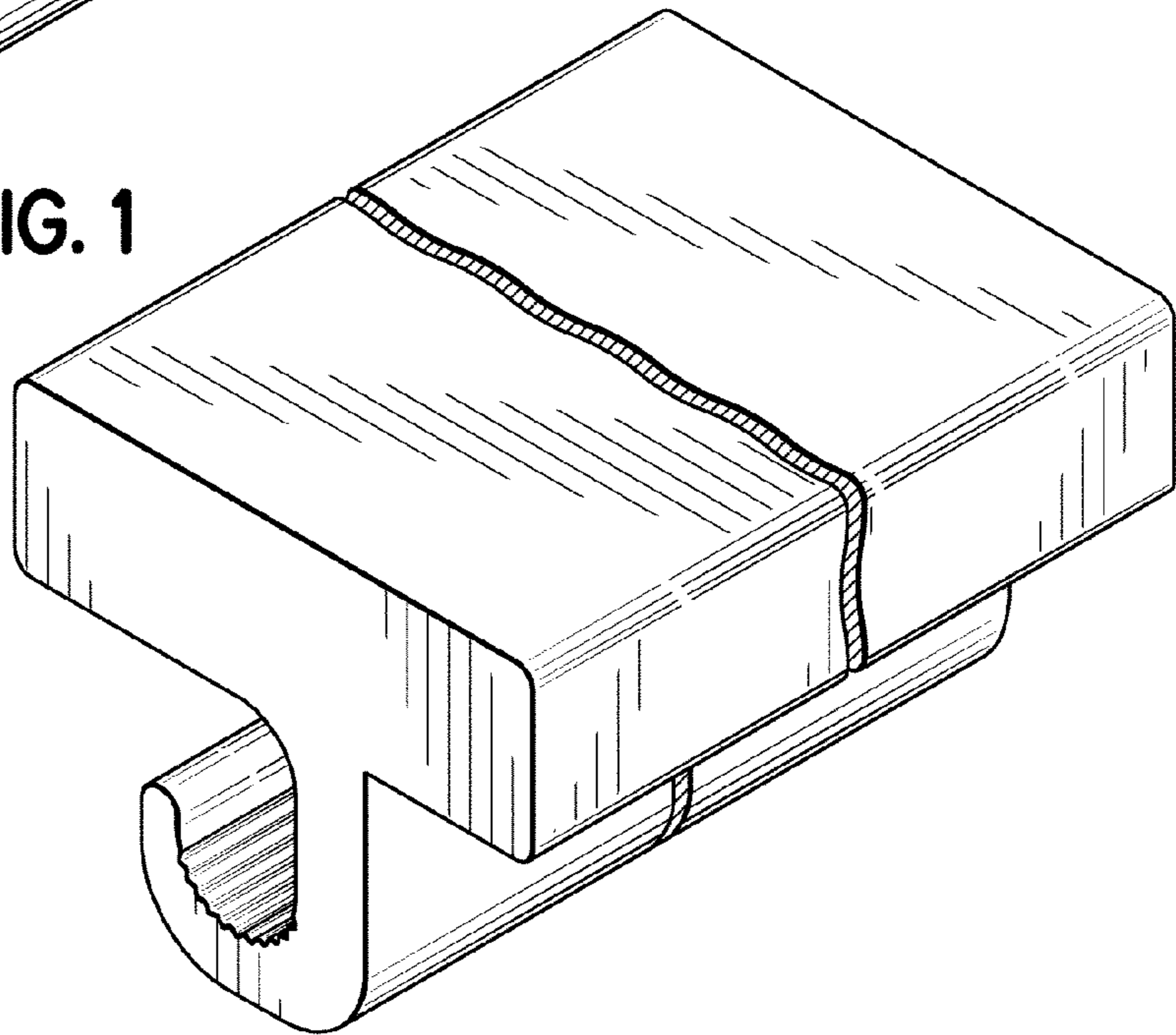


FIG. 2

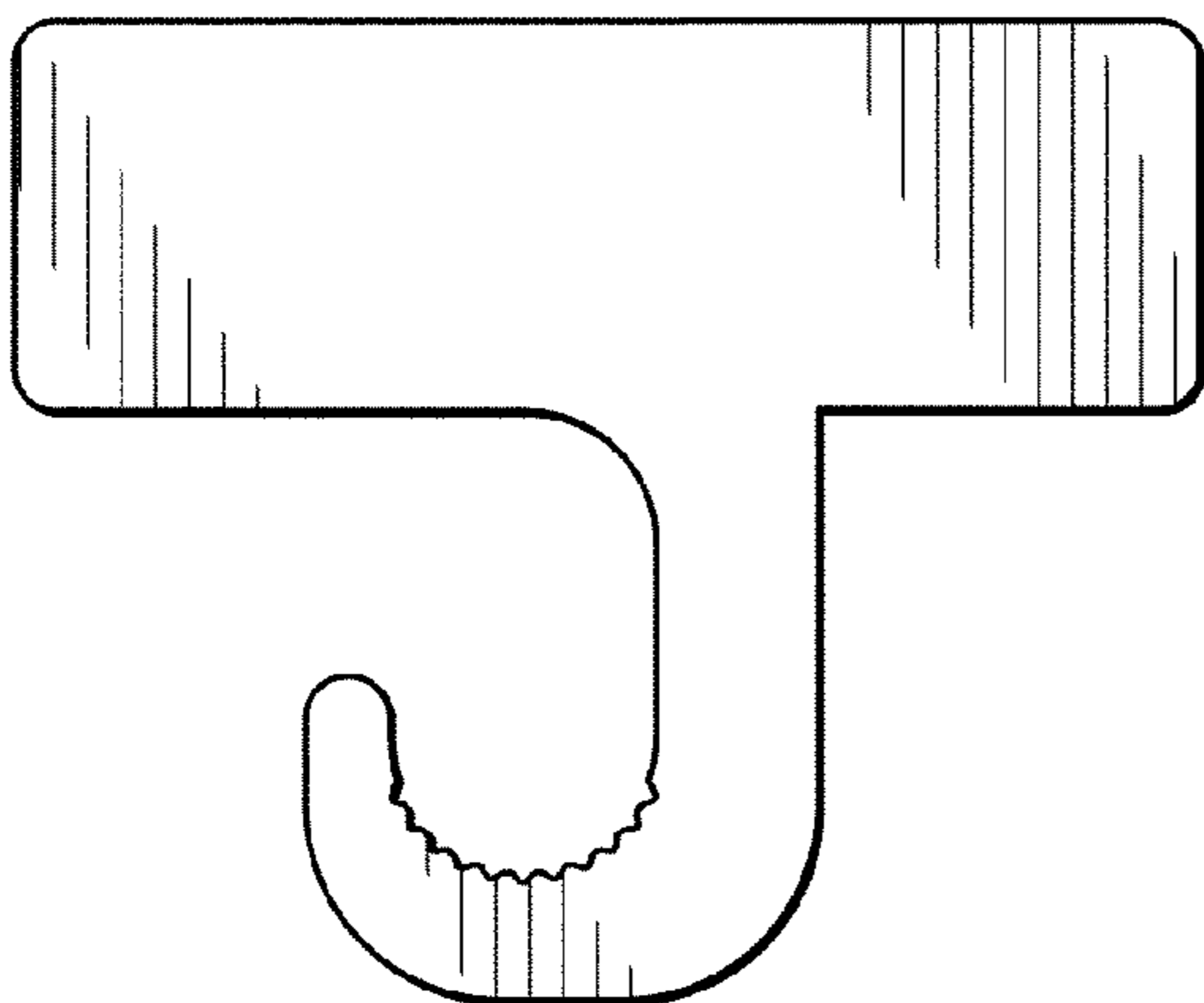


FIG. 3

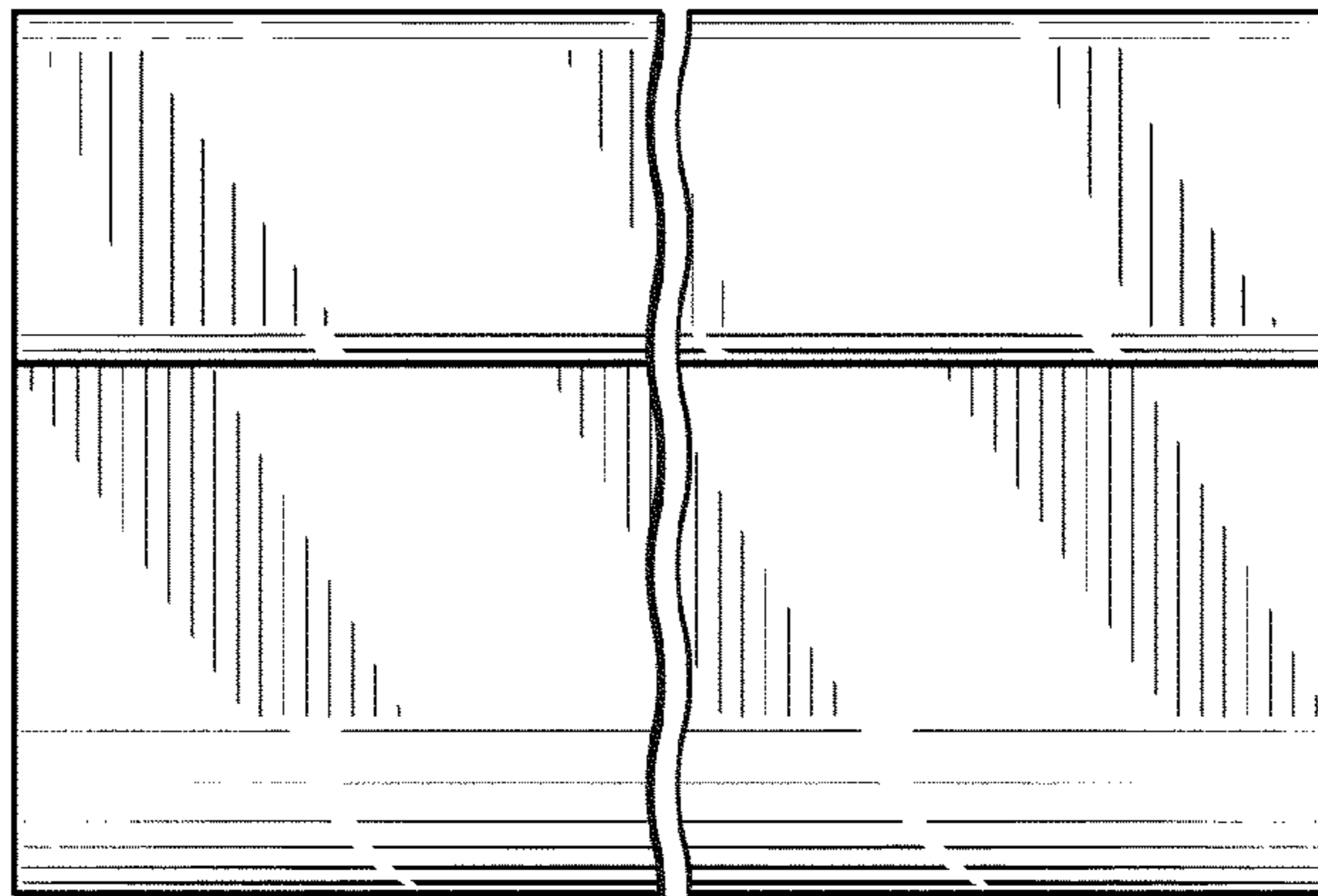


FIG. 4

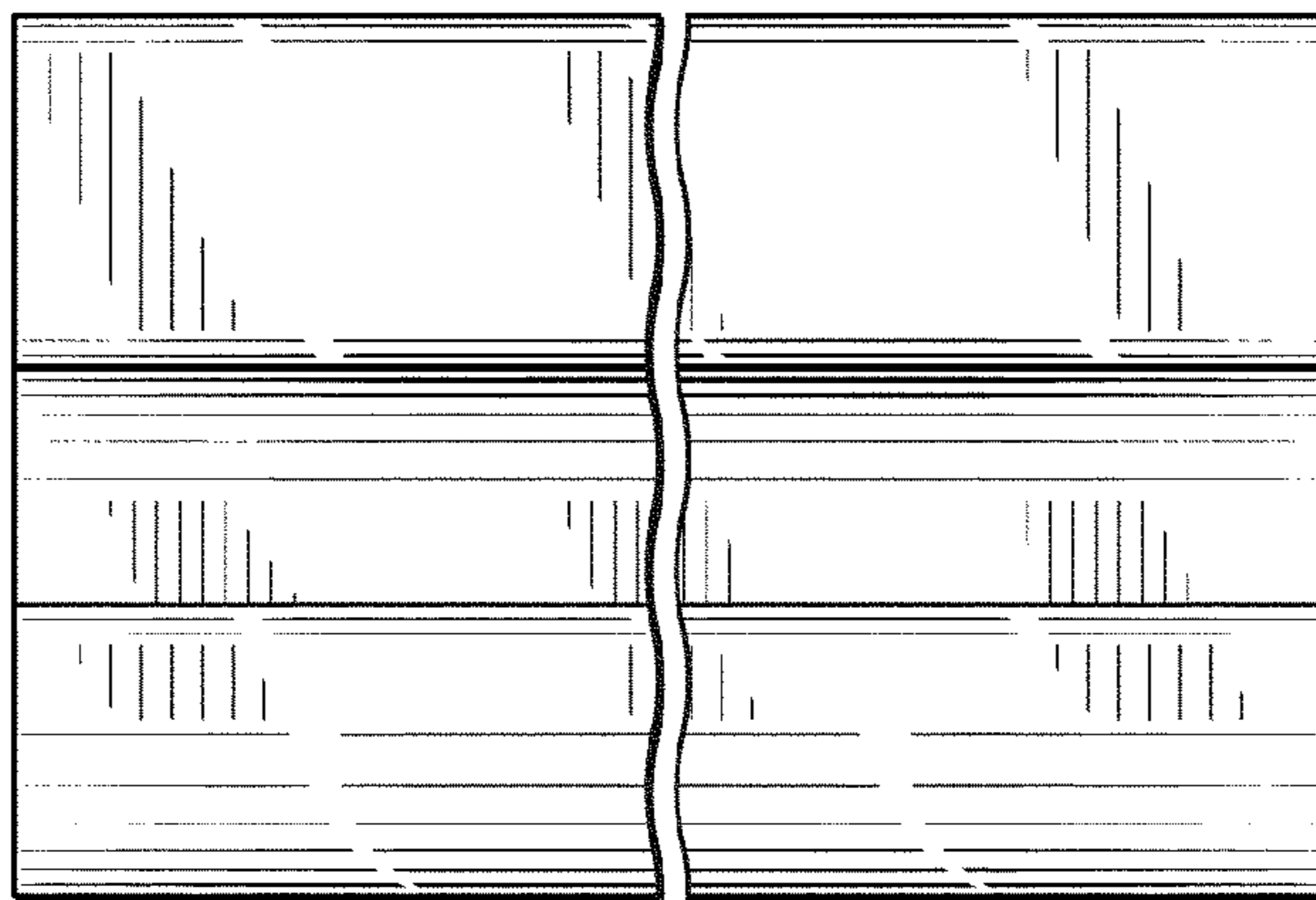


FIG. 5

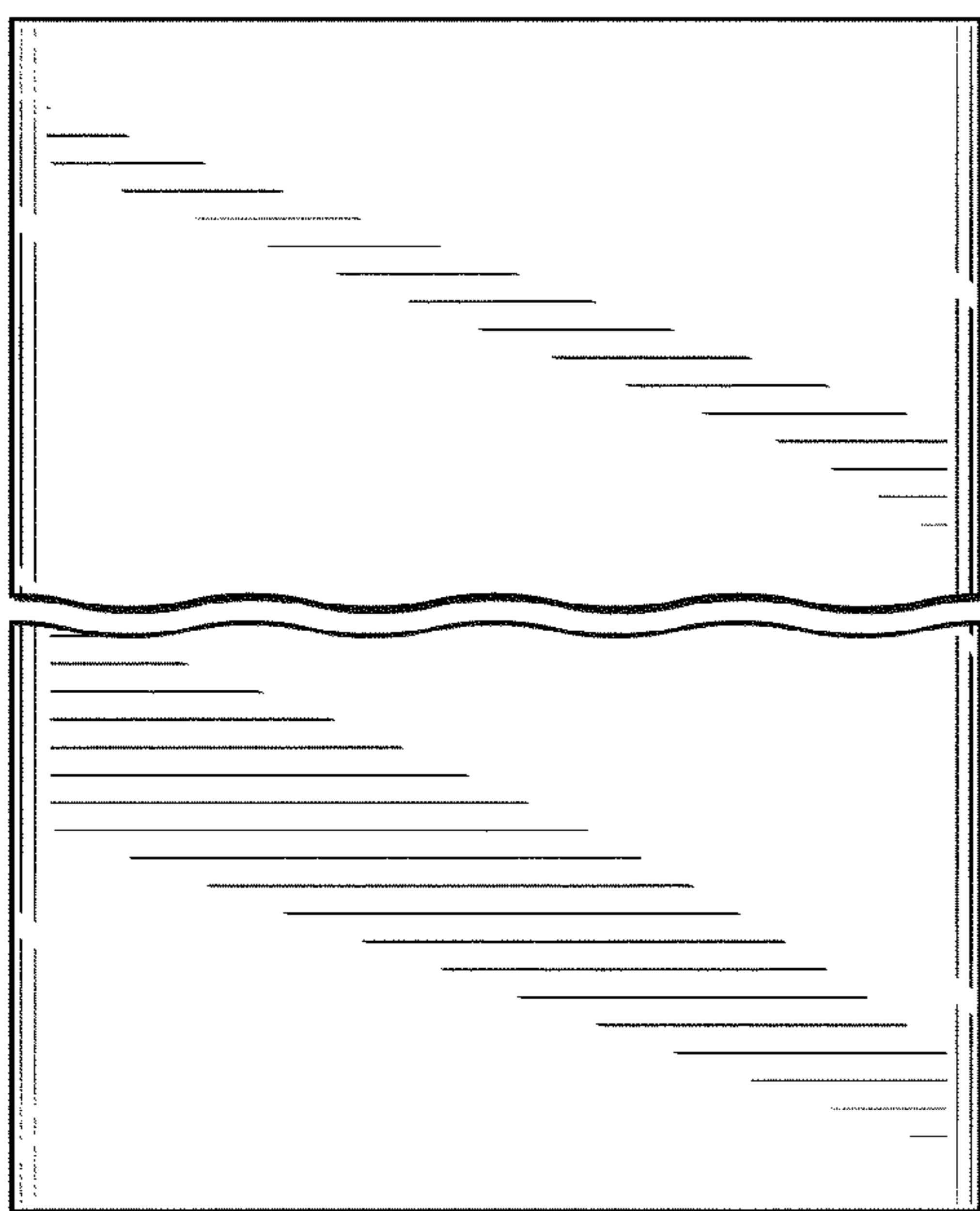


FIG. 6

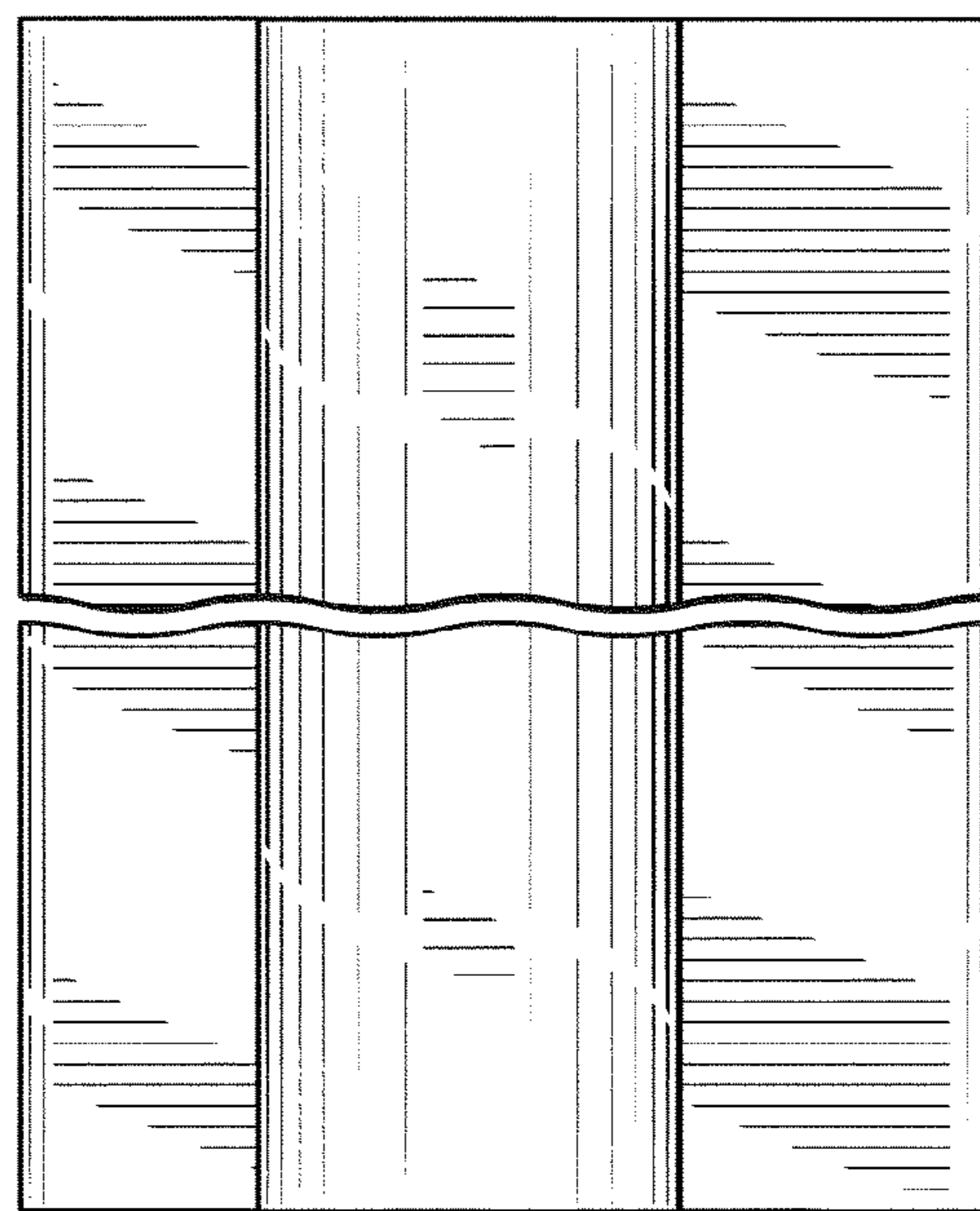


FIG. 7